

Induro™ Mortice Lock Palladium Furniture, 2-Point



Installation Instructions

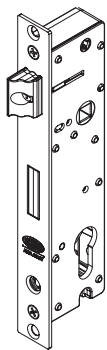
Experience a safer
and more open world

Application: Provides secure deadlocking for aluminium hinged doors. Palladium Xtra furniture available with daylatch snib.

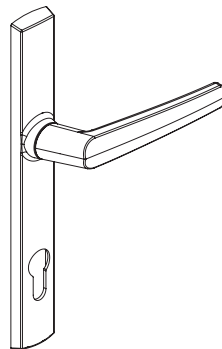
Tools Required:

- Drill
- 3.2mm Drill Bit
- 10.0mm Drill Bit
- 20.0mm Drill Bit
- Phillips Screwdriver #2
- Square Screwdriver #1

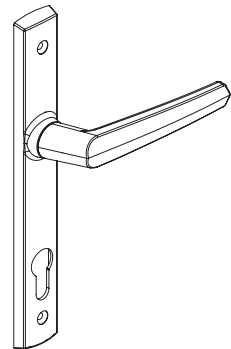
Pack Contents:



2-Point Lock
(30mm Backset Shown)



Exterior Furniture
(Aria Furniture shown)



Interior Furniture
(Aria Furniture shown)



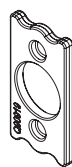
M4 Furniture fixing screws



M5 Cylinder fixing screw



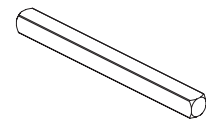
8g x 7.5 Screws



2mm Latch Packer



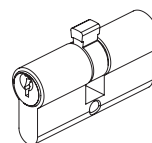
Latch Wear Pad



92mm Drive Bar (Spindle)

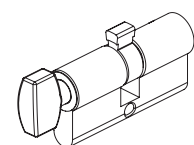
Screw Selection:

Screw	Stile Width
M4 x 49mm	38 - 43mm
M4 x 55mm	43 - 49mm
M4 x 60mm	46 - 55mm
M4 x 65mm	55 - 58mm



Cylinder Double Key

or



Cylinder Key & Turn Knob

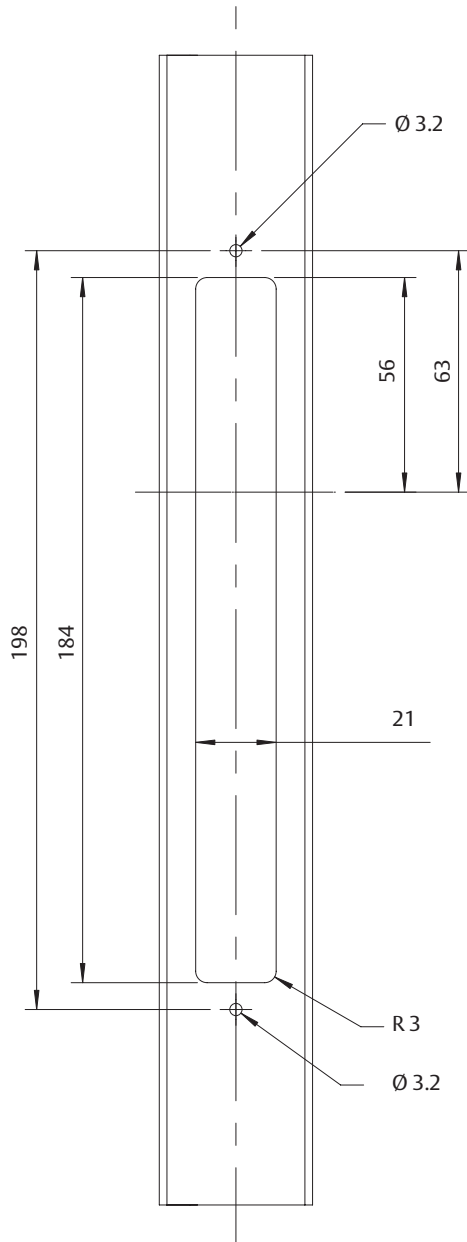
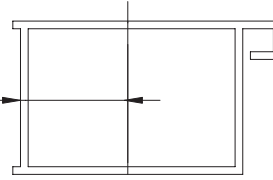
1. Door Preparation

Route the door as shown in the routing diagram.

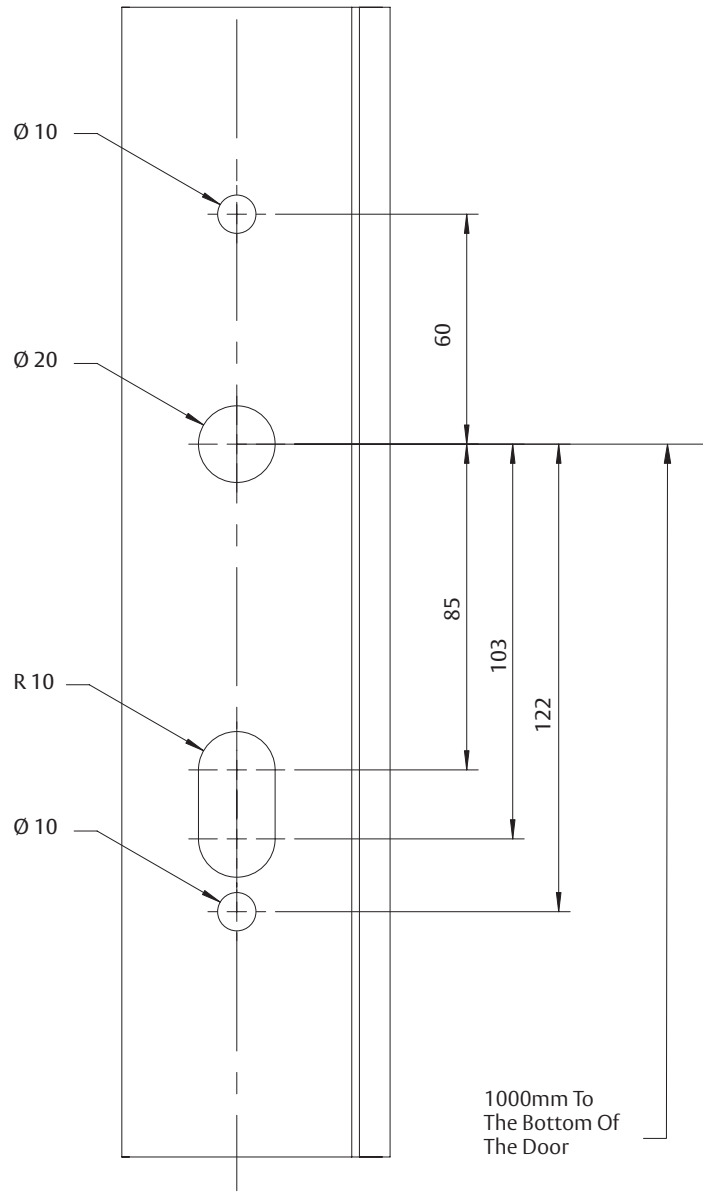
Note: For Palladium Xtra Furniture, see separate instructions.

30mm backset routing is 28mm from face
40mm backset routing is 38mm from face
50mm backset routing is 48mm from face

TOP VIEW OF STILE

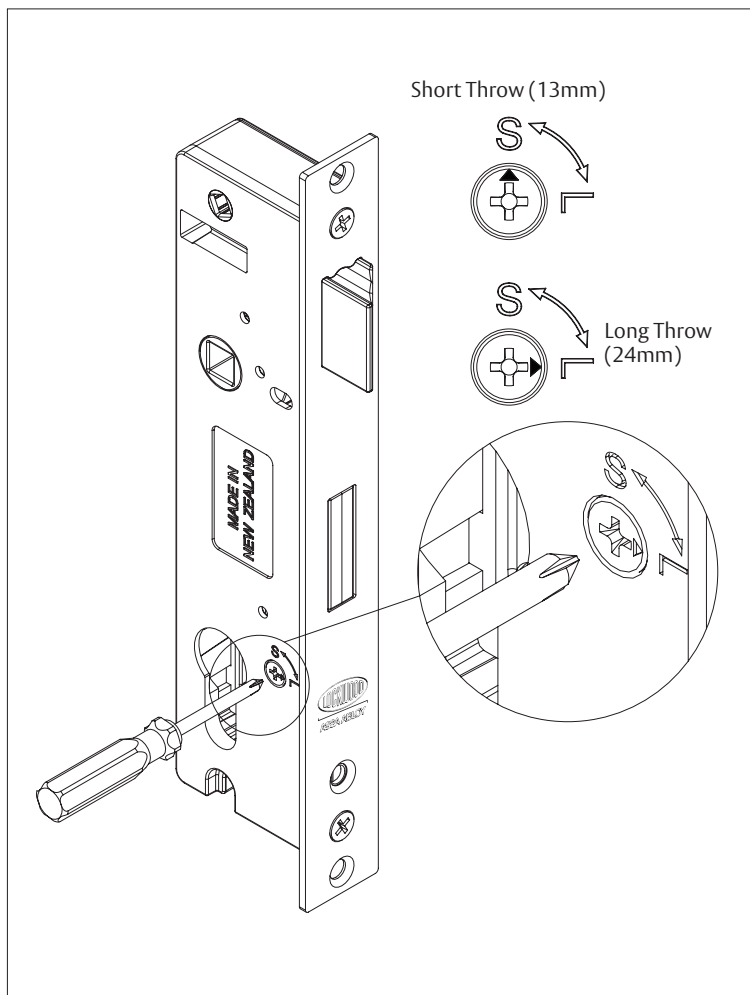


FRONT VIEW OF STILE



SIDE VIEW OF STILE

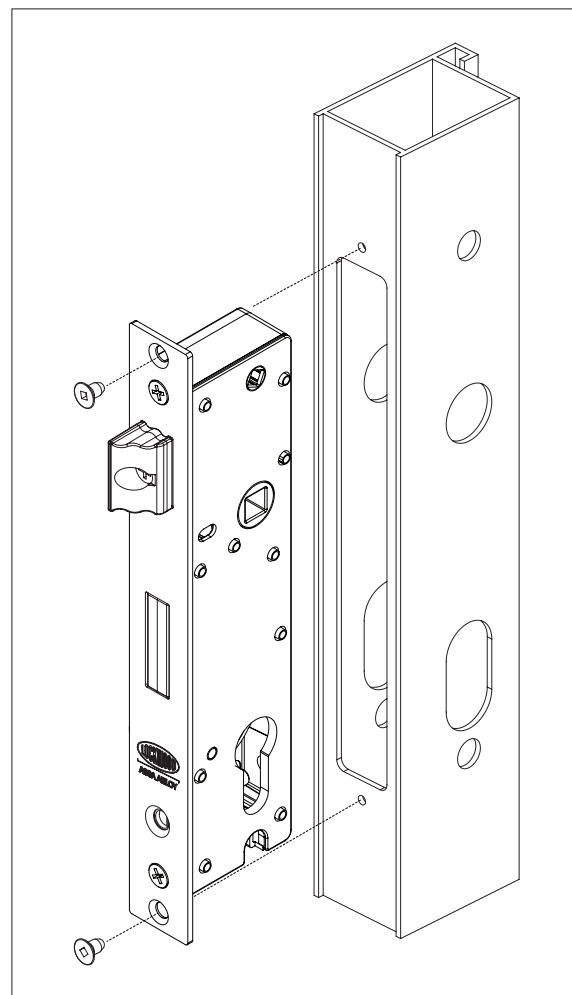
1000mm To
The Bottom Of
The Door



2. Setting Deadbolt Projection

- Before fixing the lock into the stile, select the correct deadbolt throw.
- To restrict the throw to 13mm select S
- To restrict the throw to 24mm select L
- Ensure the arrow is pointing to the desired throw application.

Note: When lock has 13mm projection selected the key must be rotated once deadlock. When lock has 24mm projection selected the key must be rotated twice to deadlock.



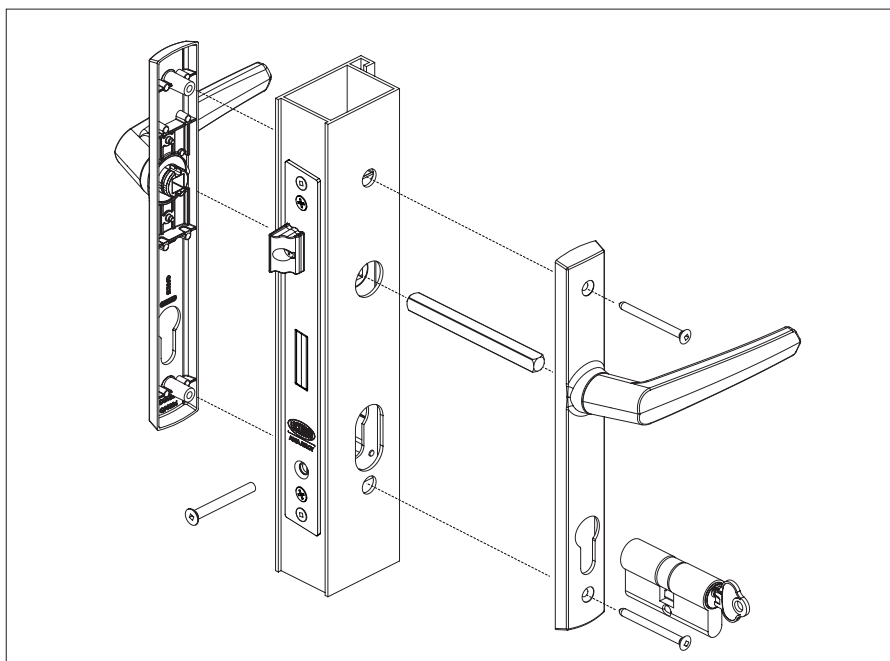
3. Fixing Lock

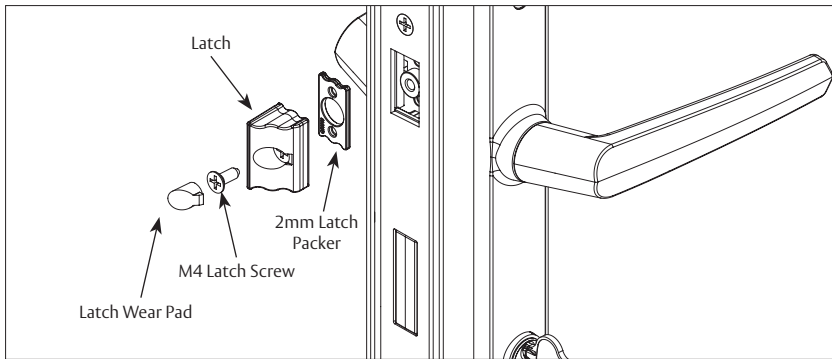
- Place the lock assembly into the stile
- Fix the lock onto the stile using the two 8g x 7.5 screws

4. Fixing Furniture and Cylinder

- Insert the drive bar (spindle) through the square drive hole in the lock
- Place the furniture onto the drive bar. For security, ensure the interior handle is on the inside of the house
- Place the cylinder through the cylinder hole
- Fix cylinder using the supplied M5 cylinder fixing screw as supplied
- Fix together the furniture using the two M4 furniture fixing screws. See screw selection chart to determine correct screw length

Note: If fixing Palladium Xtra Furniture with daylatch snib, refer to separate Palladium Xtra Furniture instructions enclosed.

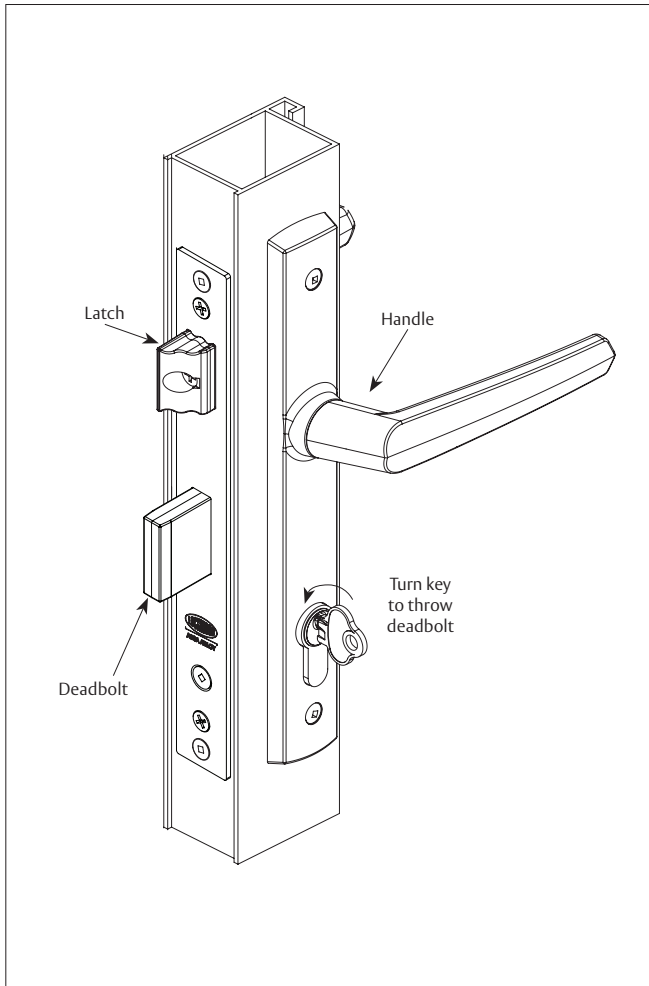




5. Latch Reversal

- Undo the M4 latch screw
- Reverse the latch as desired
- Refasten the M4 latch screw to secure the latch
- Insert the latch wear pad

Note: 2mm Latch Packer is provided to allow for latch projection adjustment. An additional 2mm packer is available for purchase.



6. Lock Operation

Deadlocking Operation

- Pull the door shut. The door will self-latch
- Turn the key towards the edge of the door to deadlock
Note: For 13mm, turn the key once only
For 24mm, turn the key twice
- The door is now secure from exterior and interior

Opening Operation

- Turn the key away from the door edge to deactivate the deadlock
Note: For short throw, turn the key once only
For long throw, turn the key twice
- Retract the latch

Troubleshooting

Do I need to tap holes?	No. All screws are self tapping.
The furniture screws do not tighten	Ensure the screws line up with the screw boss on the exterior handle.
Do I have to use the supplied screws?	For best performance, it is recommended that only the supplied screws are used.
The key function does not operate	Ensure the motion of the latch is not restricted.
Can not achieve 24mm deadbolt throw	Ensure locks deadlock is set to 'L'. Turn key twice.