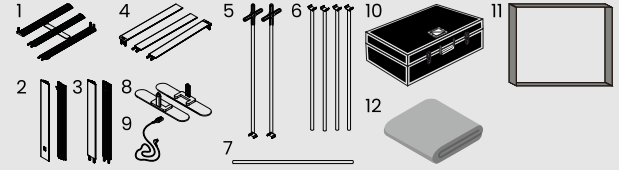


# 10ft SEG Backlit Trade Show

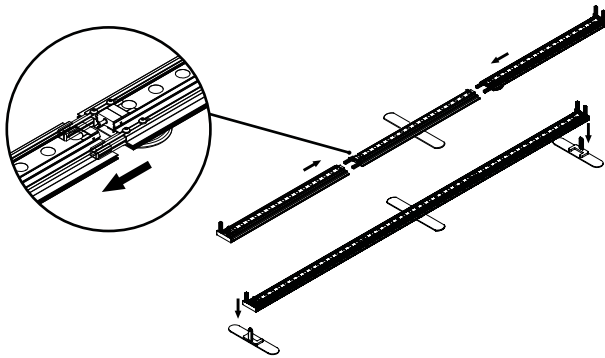
## Assembly Instructions

- 1. Bottom Frame (x3)
- 2. Bottom Side w/ Lock (x2)
- 3. Top side w/ Lock (x2)
- 4. Top Frame (x3)
- 5. Bottom Support Poles (x2)
- 6. Support Poles (x4)
- 7. Horizontal Support Pole
- 8. Frame Feet
- 9. Power Cord
- 10. Hard Case
- 11. SEG Frame
- 12. Graphic



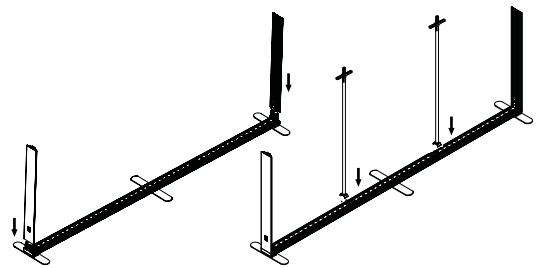
### 1 Assemble The Frame

Match the shapes located on each piece. Attach frame feet to the assembled bottom frame by inserting the connector located on the foot into the slots on the bottom.



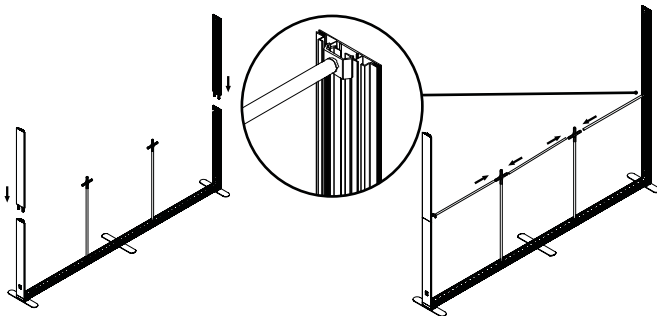
### 2 Assemble The Frame

Attach the bottom side w/ lock to connected bottom frame by matching the shapes located on each piece and clicking into place. Attach bottom support poles to the bottom of the frame by snapping the clips on the bottom support poles into the channel on the frame.



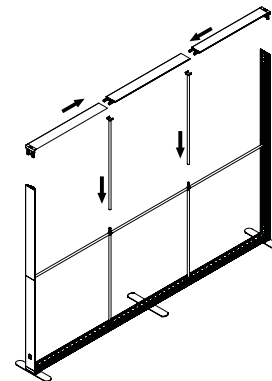
### 3 Assemble The Frame

Attach the top side w/ lock to bottom side w/ lock by matching the shapes located on each piece. Attach two support poles and horizontal support pole to the bottom support poles. Snap clips on the end of the support poles into the channel of the frame.



### 4 Assemble The Frame

Attach the final support poles to the bottom support poles. Connect the top frame by matching the shapes located on each piece.



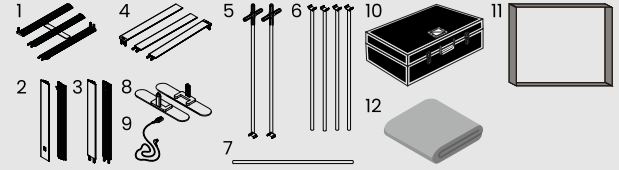
### Storage & Care:

Store in a cool dry location. Clean hardware with a damp cloth. Machine wash the graphics in cold water on a gently cycle. Air dry only. Use a steamer for wrinkles. Never dry-clean.

# 10ft SEG Backlit Trade Show

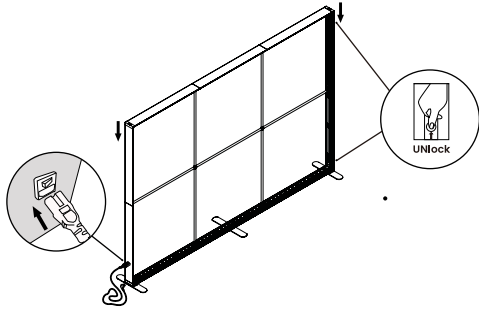
## Assembly Instructions

- 1. Bottom Frame (x3)
- 2. Bottom Side w/ Lock (x2)
- 3. Top side w/ Lock (x2)
- 4. Top Frame (x3)
- 5. Bottom Support Poles (x2)
- 6. Support Poles (x4)
- 7. Horizontal Support Pole
- 8. Frame Feet
- 9. Power Cord
- 10. Hard Case
- 11. SEG Frame
- 12. Graphic



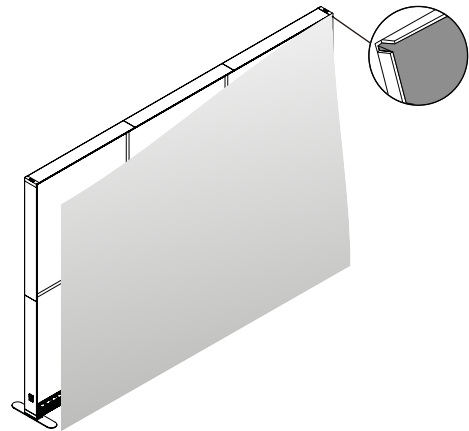
### 5 Assemble The Frame

Attach the connected top frame to the top side w/ lock by matching the shapes located on each piece and clicking into place. Attach center support poles to the top of the frame by snapping the clips on the top of the poles into the channel on the frame. Insert power cord into port located on the frame side.



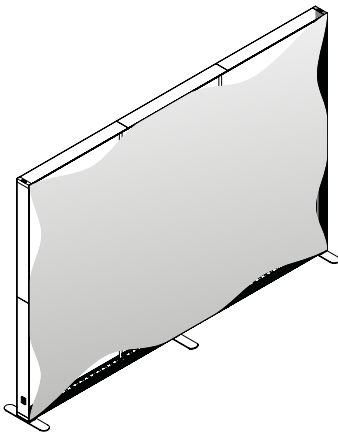
### 6 Install The Graphic

Start with the corners. Working in a clockwise motion insert each corner of the graphic to the frame.



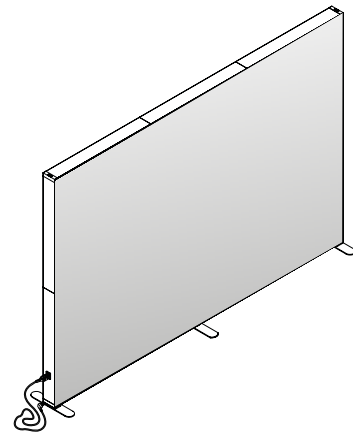
### 7 Install The Graphic

Move to the centers. Insert the centers of the graphic on each side of the frame.



### 8 Install The Graphic

Insert the remaining portions of the graphic into the frame starting from the center points to the corners.



### Storage & Care:

Store in a cool dry location. Clean hardware with a damp cloth. Machine wash the graphics in cold water on a gently cycle. Air dry only. Use a steamer for wrinkles. Never dry-clean.