

TRINQUETE 16V DE LARGO ALCANCE 1/4"
CLÉ À CLIQUET DE LONGUE PORTÉE 16V 1/4 PO
16V 1/4" LONG REACH RATCHET

MCL1614LR
MCL1614LRG
MCL1614LRM



⚠ WARNING

EXCEEDING 60 FT. LBS. MANUAL TORQUE RATING CAN RESULT IN TOOL DAMAGE NOT COVERED UNDER WARRANTY

SPECIFICATIONS

Battery Type	16V Infinium Lithium-Ion	Weight with Battery	3 lbs.
Square Drive Type	1/4" Ball Detent	Head Width	1 1/4"
Free Speed330 RPM	Compatible Battery	MCL1620LB
Maximum Torque	35 ft. lbs.	Grease Fitting	Yes
Manual Torque Withstand	55 ft. lbs.	Captured Head Design	Yes – retaining clip
Length with Battery	16"	Tool Warranty	2 years

TRINQUETE 16V DE LARGO ALCANCE 3/8"
CLÉ À CLIQUET DE LONGUE PORTÉE 16V 3/8 PO
16V 3/8" LONG REACH RATCHET

MCL1638LR
MCL1638LRG
MCL1638LRM



SPECIFICATIONS

Battery Type	16V Infinium Lithium-Ion	Weight with Battery	3.4 lbs.
Square Drive Type	3/8" Ball Detent	Head Width	1 1/4"
Free Speed310 RPM	Compatible Battery	MCL1620LB
Maximum Torque	35 ft. lbs.	Grease Fitting	Yes
Manual Torque Withstand	155 ft. lbs.	Captured Head Design	Yes – retaining clip
Length with Battery	16 1/2"	Tool Warranty	2 years

⚠ WARNING

- ALWAYS READ INSTRUCTIONS BEFORE USING POWER TOOLS
- ALWAYS WEAR SAFETY GOGGLES
- ALWAYS WEAR HEARING PROTECTION
- AVOID PROLONGED EXPOSURE TO VIBRATION

⚠ WARNING

Some dust created by power sanding, sawing, grinding, drilling, and other construction activities contains chemicals known to cause cancer, birth defects or other reproductive harm. Some examples of these chemicals are:

- lead from lead-based paints,
- crystalline silica from bricks and cement and other masonry products, and
- arsenic and chromium from chemically-treated lumber.

Your risk from these exposures varies, depending on how often you do this type of work. To reduce your exposure to these chemicals: work in a well ventilated area, and work with approved safety equipment, such as those dust masks that are specially designed to filter out microscopic particles.

⚠ WARNING

FAILURE TO OBSERVE THESE WARNINGS COULD RESULT IN INJURY.

SAVE THESE INSTRUCTIONS!

GENERAL SAFETY INFORMATION

(FOR ALL BATTERY OPERATED TOOLS)

WARNING:

Read and understand all instructions. Failure to follow all instructions listed below, may result in electric shock, fire, explosion and/or serious personal injury. It is the responsibility of the owner to make sure all personnel read this manual prior to using the device. It is also the responsibility of the device owner to keep this manual intact and in a convenient location for all to see and read. If the manual or product labels are lost or not legible, contact Matco Tools for replacements. If the operator is not fluent in English, the product and safety instructions shall be read and discussed with the operator in the operator's native language by the purchaser/owner or his designee, making sure that the operator comprehends its contents.

Work Area Safety

- Keep your work area clean and well lit. Cluttered benches and dark areas invite accidents.
- Do not operate power tools in explosive atmospheres, such as in the presence of flammable liquids, gases, or dust. Power tools create sparks which may ignite the dust or fumes.
- Keep bystanders, children, and visitors away while operating a power tool. Distractions can cause you to lose control and endanger others.

Electrical Safety

- A battery operated tool with integral batteries or a separate battery pack must be recharged only with the specified charger for the battery. A charger that may be suitable for one type of battery may create a risk of fire when used with another battery.
- Use battery operated tool only with specifically designated battery pack. Use of any other batteries may create a risk of fire.

Personal Safety

- Stay alert, watch what you are doing, and use common sense when operating a power tool. Do not use tool while tired or under the influence of drugs, alcohol, or medication. A moment of inattention while operating power tools may result in serious personal injury.
- Dress properly. Do not wear loose clothing or jewelry. Contain long hair. Keep your hair, clothing, and gloves away from moving parts. Loose clothes, jewelry, or long hair can be caught in moving parts.
- Avoid accidental starting. Be sure switch is in the locked or "off" position before inserting battery pack. Carrying tools with your finger on the switch or inserting the battery pack into a tool with the switch on invites accidents.
- Remove adjusting keys or wrenches before turning the tool on. A wrench or a key that is left attached to a rotating part of the tool may result in personal injury.



- Repetitive motions or exposure to vibration may be harmful to hands or arms.
- Do not overreach. Keep proper footing and balance at all times. Proper footing and balance enable better control of the tool in unexpected situations.
- Use safety equipment. Always wear eye protection. Dust mask, non-skid safety shoes, hard hat, or hearing protection must be used for appropriate conditions.

Tool Use and Care

- Use clamps or another practical way to secure and support the workpiece to a stable platform. Holding the work by hand or against your body is unstable and may lead to loss of control.
- Do not force tool. Use the correct tool for your application.
- Do not use tool if switch does not turn it on or off. A tool that cannot be controlled with the switch is dangerous and must be repaired.
- Disconnect battery pack from tool or place the switch in the locked or "off" position before making any adjustments, changing accessories, or storing the tool. Such preventive safety measures reduce the risk of starting the tool accidentally.
- Store idle tools out of reach of children and other untrained persons. Tools are dangerous in the hands of untrained users.
- When battery pack is not in use, keep it away from other metal objects like: paper clips, coins, keys, nails, screws, or other small metal objects that can make a connection from one terminal to another. Shorting the battery terminals together may cause sparks, burns, or a fire.
- Check for misalignment or binding of moving parts, breakage of parts, and any other condition that may affect the tool's operation. If damaged, have the tool serviced before using. Many accidents are caused by poorly maintained tools.



• **Use only impact sockets and accessories that are recommended by the manufacturer for your model. Accessories that may be suitable for one tool may create a risk of injury when used on another tool.**

WARNING: This product can expose you to chemicals including phthalates, which is known to the State of California to cause cancer and birth defects or other reproductive harm. For more information go to www.P65Warnings.ca.gov.



Service

- Tool service must be performed only by the MATCO authorized service centers listed. Service or maintenance performed by unqualified personnel may result in a risk of injury. Repair by unqualified personnel, use of unauthorized parts, and failure to follow maintenance instructions may create a risk of shock or injury.



MCL1614LR 1/4" & MCL1638LR 3/8" 16V Long Reach Ratchet

SAVE THESE INSTRUCTIONS!

SPECIFIC SAFETY RULES

DO NOT let comfort or familiarity with product replace strict adherence to cordless product safety rules. If you use this tool unsafely or incorrectly, you can suffer serious personal injury.

1. Hold tool by insulated gripping surfaces when performing an operation where the accessories may contact hidden wiring. Contact with a "live" wire will also make exposed metal parts of the tool "live" and shock the operator.
2. Be aware that this tool is always in operating condition, because it does not have to be plugged into an electrical outlet.
3. Always be sure you have firm footing.
4. Be sure no one is below when using the tool in high locations.

5. Hold the tool firmly and use both hands.
6. Keep hands and hair away from rotating parts.
7. Do not leave the tool running. Do not force tool to stay in the "on" position. Operate the tool only when hand-held.
8. Do not touch the impact socket or the workpiece immediately after operation; they may be extremely hot and could burn your skin.
9. Some material contains chemicals which may be toxic. Take caution to prevent working dust inhalation and skin contact. Follow material supplier safety data.

WARNING:

MISUSE or failure to follow the safety rules stated in this instruction manual may cause serious personal injury.

OPERATING INSTRUCTION

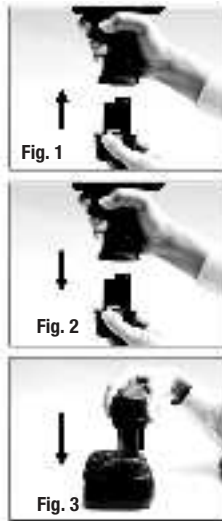
Installing Or Removing Battery Pack

(See Fig.1, Fig.2)

1. Your new battery pack is not fully charged. You may need to charge it before use.
2. Make sure the switch is in the "off" position before insertion/removal of a battery pack.
3. To remove a battery pack, depress both tabs on either side of the battery and pull downward.
4. To insert a battery pack, align the battery with the tool housing and push battery inward until click indicating battery is fully installed.

Charging The Battery Pack (See Fig.3)

1. Battery may not charge when it is above a certain preset temperature limit. Allow temperature of battery to cool before charging.
2. The charge process will take less than one hour.
3. After charging, unplug the charger from the power source and stow away in a safe place.



Tool Operation:

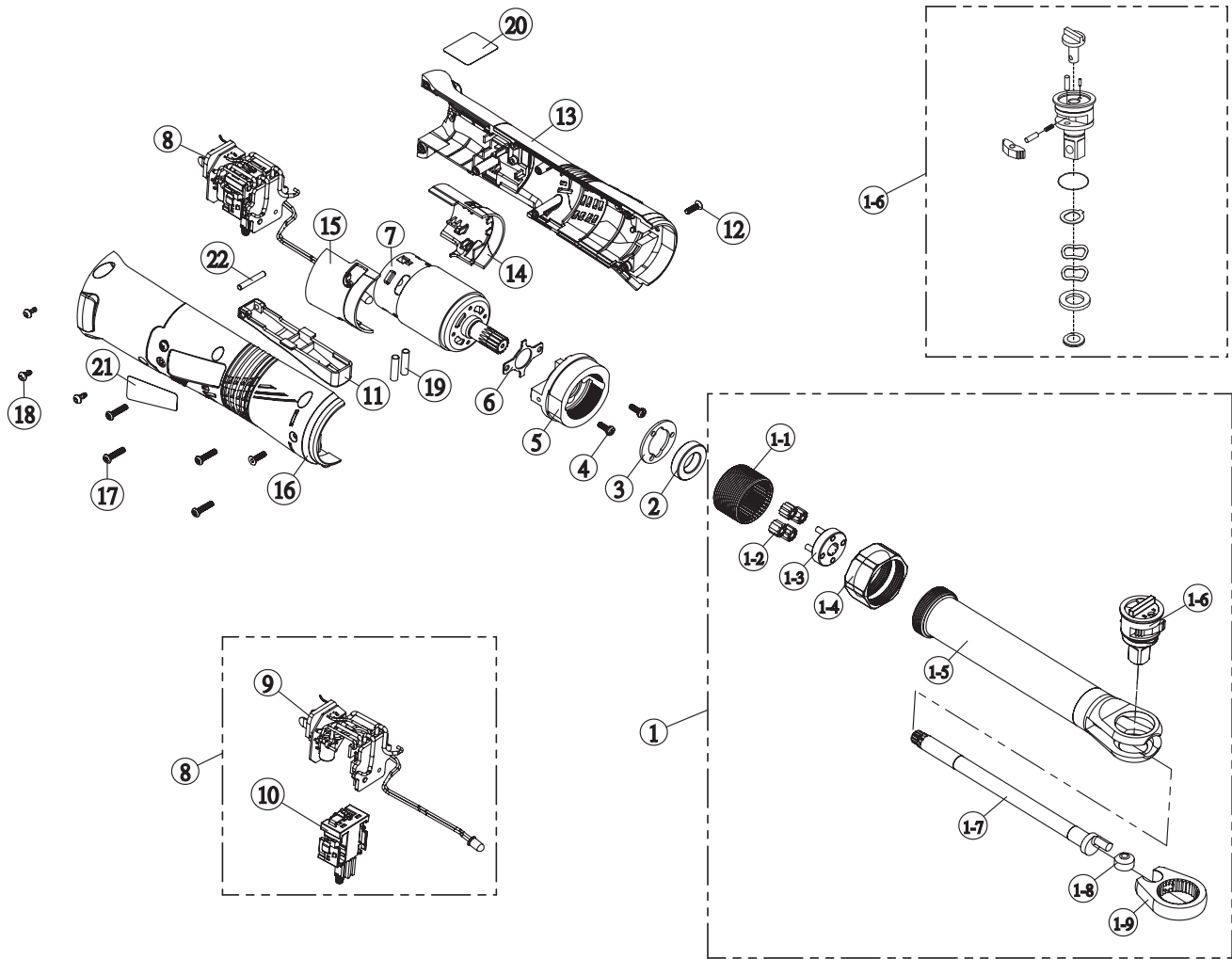
This ratchet is designed to remove and install threaded fasteners.

NOTE: Actual torque on a fastener is directly related to joint hardness, tool speed, condition of impact socket and the time the tool is allowed to rotate.

Use the simplest possible tool-to-socket hook up. Every connection absorbs energy and reduces power.

Make sure that the ratchet is turned off and the battery cartridge is removed before carrying out any work on the tool. To maintain product safety and reliability, repairs, maintenance or adjustments should be carried out by a Matco authorized service center.

MCL1614LR 1/4" & MCL1638LR 3/8" 16V Long Reach Ratchet



REF NO.	PART NO.	DESCRIPTION	QTY.
1-1	RS250ARR22	INTERNAL GEAR	1
1-2	RS163862	PLANET GEAR	4
1-3	RS163863	PLANET GEAR CARRIER	1
1-4	RS283526	CLAMP NUT	1
1-5	RS163864	RATCHET HOUSING ASSEMBLY	1
1-6	RS1638LRHK	3/8" RATCHET HEAD KIT	1
1-6	RS1614LRHK	1/4" RATCHET HEAD KIT	1
1-7	RS163865	CRANKSHAFT	1
1-8	RS281430	DRIVE BUSHING	1
1-9	RS281431	RATCHET YOKE ASSEMBLY	1
2	RS12R02	BUSHING	1
3	RS108R07	WASHER (27.4x16.5x1.5)	1
4	RS01804	SCREW (M3x6L)	2
5	RS108R09	MOTOR CONNECTOR	1
6	RS108MP10	WASHER (25.7x26x0.8)	1
7	RS161407	MOTOR ASS'Y	1
8	RS163860	PCB ASSEMBLY (incl #9, #10)	1
9		DISCHARGE PROTECTOR (incl w/ #8)	1
10		MAIN SWITCH (incl w/ #8)	1

REF NO.	PART NO.	DESCRIPTION	QTY.
11	RS12R15	TRIGGER	1
12	RS108R19	SCREW (M3x10L)	2
13	RS1238R17	HOUSING-L ASS'Y BURGUNDY	1
	RS1238R17G	HOUSING-L ASS'Y GREEN	1
	RS1238R17O	HOUSING-L ASS'Y ORANGE	1
14	RS12R18	INSULATION-L	1
15	RS12R19	INSULATION-R	1
16	RS163849	HOUSING-R ASS'Y BURGUNDY	1
	RS163849G	HOUSING-R ASS'Y GREEN	1
	RS163849O	HOUSING-R ASS'Y ORANGE	1
17	RS108R20	SCREW (M3x12L)	4
18	RS108R18	SCREW(T10)	3
19	RS161618	HEAT SHRINKAGE TUBE	2
20	RSMCL1638RAWL	WARNING LABEL	1
21	RS163861	3/8" HOUSING LABEL-R	1
	RS161430	1/4" HOUSING LABEL-R	1
22	RS163823	LEVER PIN	1
N/S	RS161431	SHAFT WARNING LABEL	

3/8" Ratchet Head Kit also available as MCL1638LRHK
 1/4" Ratchet Head Kit also available as MCL1614LRHK

⚠ WARNING

FAILURE TO OBSERVE THESE WARNINGS COULD RESULT IN INJURY.

SAVE THESE INSTRUCTIONS!

SAFETY INSTRUCTIONS FOR BATTERY CHARGER AND BATTERY PACK

DANGER! READ CAREFULLY

120 Volts present at charging terminal. Absolutely DO NOT probe with conductive objects.



1. CAREFULLY READ AND UNDERSTAND THESE INSTRUCTIONS. This manual contains critical safety and operating instructions for the tool, battery charger, and battery.

2. Before using battery charger, read all instructions and cautionary markings on (1) battery charger, (2) battery, and (3) product using battery.



3. CAUTION - To reduce risk of injury, charge only MATCO rechargeable batteries marked on the charger label. Other types of batteries may burst causing personal injury and damage.



4. Do not expose charger to rain or snow.

5. Use of an attachment not recommended or sold by Matco or the battery charger manufacturer may result in a risk of fire, electric shock, or injury to persons.



7. Make sure cord is located so that it will not be stepped on, tripped over, or otherwise subjected to damage or stress.

8. An extension cord should not be used unless absolutely necessary. Use of improper extension cord could result in a risk of fire and electric shock. If extension cord must be used, make sure:

- a. That pins on plug of extension cord are the same number size, and shape as those of plug on charger;
- b. That extension cord is properly wired and in good electrical condition;
- c. That wire size is at least as large as the one specified in the table below.

Table 1: RECOMMENDED MINIMUM AWG SIZE FOR EXTENSION CORDS FOR BATTERY CHARGERS

Length of Cord (Feet)	25	50	75	100	150
AWG Size of Cord	18	18	16	14	12

9. Do not operate charger with damaged cord or plug - replace them immediately.

10. Do not operate charger if it has received a sharp blow, been dropped, or otherwise damaged in any way; take it to a MATCO AUTHORIZED service facility.

11. Do not disassemble charger or battery cartridge; take it to your MATCO AUTHORIZED distributor service facility. Incorrect reassembly may result in a risk of electric shock or fire.

12. To reduce risk of electric shock, unplug charger from outlet



before attempting any maintenance or cleaning. Turning off controls will not reduce this risk.

13. The battery charger is not intended for use by young children or infirm persons without supervision.

14. Young children should be supervised to ensure that they do not play with the battery charger.

OPERATIONAL GUIDELINES FOR BATTERY CHARGER AND BATTERY PACK

1. Do not attempt to use a step-up transformer, an engine generator or DC power receptacle.

2. Do not allow anything to cover or clog the charger vents.

3. Always cover the battery terminals with the box or cover when the battery cartridge is not used.

4. Do not short the battery cartridge:

(1) Do not touch the terminals with any conductive material.

(2) Avoid storing battery cartridge in a container with other metal objects such as nails, screws, coins, etc.

(3) Do not expose battery cartridge to water or rain. A battery short can cause a large current flow, overheating, possible burns and even a breakdown.

5. Do not store the tool and Battery Cartridge in locations where the temperature may reach or exceed 50°C (122°F).

6. Do not incinerate the Battery Pack even if it is severely damaged or is completely worn out. The battery cartridge can explode in a fire.



7. Be careful not to drop, shake or strike battery as it will affect the capacity and may void warranty.



8. Do not charge inside a box or container of any kind. The charger and battery are ventilated devices and must NOT be placed next to a heat source or in exposure to radiating heat.

9. Place charger on a solid and sturdy surface as there are vents on the bottom side of the charger.

10. Always unplug the charger from the power supply when a charging sequence is not taking place.

MATCO CORDLESS BATTERY USE AND CARE GUIDE

IMPORTANT!

All rechargeable batteries have a finite lifespan and will slowly lose storage capacity as they age and are cycled. Rechargeable batteries are consumable items and should be carefully treated to ensure proper operation during its limited lifespan. Please read the following guide carefully for tips that may maximize the performance of your Matco rechargeable batteries. Batteries should be handled with care and disposed through proper authorities.



WARNING! MUST READ!

Do not crush or incinerate batteries as it may cause danger from explosion.

Do not place batteries in confined spaces where it may be in contact with conductive objects. For example, do not place battery in pockets, tool boxes, tool bags, etc. with screws, keys, metal shavings, etc. as the battery may short circuit and/or cause fire hazard.

Only charge in Matco chargers and never attempt to wire to alternative charging sources

Danger of explosion, electric shock, fire, and electrocution may result from:

- Abuse, misuse, and severe shock
- Subjecting the unit to conductive particles, objects, and liquids
- Connecting two chargers together
- Charging Matco batteries with other chargers
- Using the Matco charger to charge other batteries
- Operating the charger with a damaged cord or plug

PROPER CARE WILL MAXIMIZE PRODUCT LIFE

Please note that there are differences in the care of Lithium-Ion batteries.

PROPER CARE FOR MATCO INFINIUM LITHIUM-ION (LI-ION) BATTERIES

- All Li-ion batteries are sensitive to high temperature and should be kept cool, dry, and out of direct light exposure. Ideal temperature range for operation and storage is between 32 and 75 °F. Li-ion batteries may be stored in the refrigerator, but freezers are not recommended.
- Do not leave batteries unused for extended periods of time, especially when it is fully charged or fully discharged. Bring a Li-ion battery to approximately 50% charge level before storing.
- Li-ion batteries are sensitive to shock. Avoid dropping, hitting, or exposure to vibration.
- Li-ion can be charged frequently and recharged before it is fully depleted. Li-ion, in fact, is ideally recharged before it is completely depleted. Recharging when there is 25%-50% capacity remaining in the battery may prolong its lifespan.
- Contaminants can adversely affect the performance and life of Li-ion batteries. Minimize the battery's exposure to dust, dirt, and small particles.
- Recharge Matco Li-ion batteries only in Matco recharging devices that are designed specifically for the battery type. Never subject batteries to any other quick-charging, quick-discharging, or quick-restoring devices.

MATCO CORDLESS WARRANTY

MATCO MCL1614LR 1/4", MCL1638LR 3/8" Long Reach Ratchet

Matco Tools warrants this 16V tool to be free from defects for a period of (2) years from the original date of purchase. Registration is required through your local authorized Matco distributor and/or by submission of completed registration form included with the product. Defective products must be returned and analyzed by VIS Repair and Service for the United States or HT Pneumatic Rebuilders for Canada, at the addresses listed below, freight prepaid. Any tool that has been serviced by the user or by an unauthorized service center will subsequently void the warranty of the tool.

MATCO 16V LITHIUM-ION BATTERY MCL1620LB / CHARGER MCL16CHRG

Matco Tools warrants its 16V Lithium-ion (battery/charger) to be free from defects in material and workmanship for a period of (2) years from the original date of purchase. Registration is required through your local authorized Matco distributor and/or by submission of completed registration form included with the product. If the battery/charger should fail within the warranty period, it must be returned and analyzed by VIS Repair and Service for the United States or HT Pneumatic Rebuilders for Canada, at the addresses listed below, freight prepaid. A battery capacity defect could be defined as the battery no longer accepting a charge, or holding a charge for the battery manufacturing specified period as determined by Matco Tools Repair center. Based on the evaluation, Matco Tools, at their discretion, will either repair or replace any batteries to be found defective in material or workmanship at no charge. Please see Matco Battery Care Guide in the Cordless Operating Manual for any of the Infinium products. You will find helpful tips that may maximize the useful life of your battery.

Address for Returns as follows:

VIS Repair and Service

315 Hawkins Rd.
Travelers Rest, SC 29690
(864) 660-8286

HT PNEUMATIC REBUILDERS

22 Goodmark Place Unit #8
Toronto, ON M9W6R2
(416) 213-0172

TRINQUETE 16V DE LARGO ALCANCE 1/4"
CLÉ À CLIQUET DE LONGUE PORTÉE 16V 1/4 PO
16V 1/4" LONG REACH RATCHET

MCL1614LR
MCL1614LRG
MCL1614LRM



⚠ ADVERTENCIA



AL EXCEDER LA CLASIFICACIÓN DE TORSIÓN MANUAL DE 60 LIBRAS-PIE, SE PODRÍAN OCASIONAR DAÑOS A LA HERRAMIENTA NO CUBIERTOS POR LA GARANTÍA

E S P E C I F I C A C I O N E S

Tipo de batería Ion litio	Infinium 16V	Peso con batería	3 lbs.
Tipo de manivela cuadrada	Bola de retención 1/4"	Anchura del cabezal114"
Velocidad libre330 RPM	Compatibilidad de batería	MCL1620LB
Máxima torsión	35 libras-pie.	Graseras Sí Diseño de cabezal prisionero	
Resistencia de torsión manual	55 libras-pie.	Sí – sujetador de retención
Longitud con batería	16"	Garantía de la herramienta	2 años

TRINQUETE 16V DE LARGO ALCANCE 3/8"
CLÉ À CLIQUET DE LONGUE PORTÉE 16V 3/8 PO
16V 3/8" LONG REACH RATCHET

MCL1638LR
MCL1638LRG
MCL1638LRM



E S P E C I F I C A C I O N E S

Tipo de batería Ion litio	Infinium 16V	Peso con batería	3.4 lbs.
Tipo de manivela cuadrada	Bola de retención 3/8"	Anchura del cabezal114"
Velocidad libre310 RPM	Compatibilidad de batería	MCL1620LB
Máxima torsión	35 libras-pie.	Graseras Sí Diseño de cabezal prisionero	
Resistencia de torsión manual	155 libras-pie.	Sí – sujetador de retención
Longitud con batería	16½"	Garantía de la herramienta	2 años

⚠ ADVERTENCIA



LEER SIEMPRE LAS INSTRUCCIONES ANTES DE USAR LAS HERRAMIENTAS NUEMÁTICAS



USAR SIEMPRE ANTEOJOS PROTECTORES



USAR PROTECCIÓN PARA LOS OÍDOS



EVITAR EXPOSICIÓN PROLONGADA A LAS VIBRACIONES

⚠ ADVERTENCIA

El polvo creado por la lijación eléctrica, la aserradura, la trituración, la perforación y otras actividades de construcción contiene químicos conocidos como causantes de cáncer, defectos de nacimiento u otros daños a reproducción. Algunos ejemplos de dichos químicos son:

- El plomo proveniente de pintura con base de plomo,
- La silica cristalina de ladrillo y cemento y otros productos de mampostería, y
- El arsénico y el cromo de maderos químicamente tratados.

El riesgo de dichas exposiciones varía, dependiendo de la frecuencia con la cual usted realice este tipo de trabajo. Para reducir su exposición a dichos químicos: trabaje en una área bien ventilada y con equipo de seguridad aprobado, tales como los máscaras anti-polvo, los que son específicamente diseñados para filtrar las partículas microscópicas.

⚠ ADVERTENCIA

HACER CASO OMISO A ESTAS ADVERTENCIAS PODRÍA OCASIONAR LESIONES.

¡GUARDE ESTAS INSTRUCCIONES!

**INFORMACIÓN GENERAL DE SEGURIDAD GENERAL
(PARA TODAS LAS HERRAMIENTAS OPERADAS
CON BATERÍA)**



ADVERTENCIA:

Lea y comprenda todas las instrucciones. Hacer caso omiso a todas las instrucciones alistadas a continuación podría ocasionar choque eléctrico, incendio, una explosión y/o lesiones personales serias. Es la responsabilidad del propietario asegurarse que todo el personal lea este manual previo al uso de este dispositivo. También es la responsabilidad del propietario del dispositivo mantener intacto este manual y en un lugar conveniente para que todos lo lean y vean. Si el manual o las etiquetas se hayan perdido o no sean legibles, comuníquese con Matco Tools por algunos repuestos. Si el operador no domina el idioma inglés, las instrucciones del producto y de seguridad le serán leídas y discutidas con el operador en el idioma materno del operador por parte del comprador/propietario o su designado, asegurándose que el operador comprenda el contenido.

Seguridad del área de trabajo

- Mantenga el área de trabajo limpio y bien iluminado. Los bancos amontonados y oscuros invitan accidentes.
- No opere las herramientas eléctricas en atmósferas explosivas, tales como con los líquidos, gases o polvos inflamables. Las herramientas eléctricas crean chispas las cuales pueden encender el polvo o los humos.
- Al momento de operar una herramienta eléctrica, mantenga lejos a los transeúntes, niños y visitantes. Las distracciones pueden ocasionar la pérdida de control y poner en peligro a otros.



Seguridad eléctrica

- Una herramienta operada por pila que usa pilas integrales o un paquete separado de baterías debe ser recargada solamente con el cargador especificado para la batería. Un cargador que puede ser apropiado para una batería puede crear un riesgo de incendio cuando se usa con otra batería.
- Use una herramienta operada por pila con un paquete de batería específicamente designado para ella solamente. El uso de cualquier otra batería puede crear un riesgo de incendio.



Seguridad Personal

- Manténgase alerta(a), vigile lo que haga y use el sentido común al momento de operar esta herramienta. No use la herramienta si usted se encuentre cansado(a) o si esté bajo la influencia de drogas, alcohol o medicamentos. Un momento de falta de atención al momento de operar una herramienta eléctrica puede ocasionar lesiones personales serias.
- Use el atuendo adecuado. No lleve puesto ropa ni joyería floja. Contenga el pelo largo. Mantenga el pelo, ropa y guantes lejos de piezas móviles. La ropa, joyería o pelo largo pueden envolverse en las piezas móviles.



- Evite los arranques accidentales. Asegúrese que el interruptor esté en la posición de bloqueado o apagado antes de insertar el empaque de las baterías. Se invitan los accidentes si usted lleve las herramientas sobre el interruptor o si se inserte el paquete de baterías en una herramienta mientras el interruptor esté encendido.
- Retire las llaves de ajuste antes de encender la herramienta. Si una llave se mantenga sujeta a una pieza giratoria, se pueden ocasionar lesiones personales.
- Si uno está expuesto a las vibraciones, movimientos repetitivos o posturas incómodas por períodos extendidos de tiempo durante el uso, esto puede dañar a sus manos y brazos.
- No se extralimite. Mantenga los pies sobre base firme y en equilibrio en todo momento. La base y equilibrio adecuados permiten un mayor control de la herramienta durante situaciones inesperadas.
- Use equipo de seguridad. Siempre lleve puesto protección de ojos. Se deben usar máscaras antipolvo, zapatos de seguridad antideslizantes, un casco y protección del oído según las condiciones adecuadas.

Uso y cuidado de la herramienta

- Use sujetadoras o alguna otra forma práctica de asegurar y soportar la pieza de trabajo a una plataforma estable. Es precario sostener el trabajo con la mano o contra su cuerpo y hacer lo mismo puede ocasionar la pérdida de control.
- No fuerce la herramienta. Use la herramienta correcta según su aplicación de trabajo.
- No use la herramienta si el interruptor no enciende ni apaga la herramienta. Una herramienta que no puede ser controlada con el interruptor es peligrosa y debe ser reparada.
- Desconecte el paquete de batería o coloque el interruptor en la posición de bloqueada o apagada, antes de hacer cualquier ajuste, cambiar los accesorios o almacenar la herramienta. Tales medidas preventivas de seguridad disminuyen el riesgo de encender la herramienta por accidente.
- Almacene las herramientas cuando no están en uso fuera del alcance de los niños y de otras personas no capacitadas. Las herramientas son peligrosas en manos de usuarios no capacitados.
- Cuando el paquete de batería s no está en uso, manténgalo lejos de otros objetos de metal tales como sujetapapeles, monedas, llaves, clavos u otros objetos de metal los que pueden hacer una conexión de un borne a otro. Los cortos de los bornes de la batería, ocasionados por conectarlos, puede ocasionar chispas, quemaduras o incendio.
- Revise por la desalineación o el atoramiento de las piezas móviles, la rotura de partes y cualquier otra condición que pueda afectar la operación de la herramienta. Si se daña, antes de usarla, lleve a cabo el mantenimiento de la herramienta. Se ocasionan muchos accidentes por el mal mantenimiento de las herramientas.



MCL1614LR 1/4" Y MCL1638LR 3/8" TRINQUETE 16V DE LARGO ALCANCE

- Use sólo con los casquillos de llave de impacto y accesorios designados para dicha herramienta. No use los casquillos de mano ni accesorios, ya que estos



ADVERTENCIA: Este producto le podrá exponer a ciertos químicos, para incluir el ftalato, conocidos en el Estado de California por ocasionar cáncer y defectos congénitos u otros daños a la reproducción. Para mayores informes, visite: www.P65Warnings.ca.gov.

Mantenimiento

- El mantenimiento de la herramienta debe llevarse a cabo solo por los centros de servicio autorizados de MATCO alistados. El mantenimiento realizado por personal no calificado puede ocasionar un riesgo de lesiones. La reparación por personal no calificado, el uso de piezas no autorizadas y hacer caso omiso a las instrucciones de mantenimiento puede crear un riesgo de choque o lesión.

¡GUARDE ESTAS INSTRUCCIONES!

INSTRUCCIONES ESPECÍFICAS DE SEGURIDAD

NO permita que la comodidad o familiaridad con el producto prohíba el cumplimiento estricto de las reglas de seguridad del producto inalámbrico. Si usted opere esta herramienta de manera insegura o incorrectamente, usted puede sufrir lesiones personales serias.

1. Sostenga la herramienta por las superficies aisladas de agarre al momento de realizar alguna operación en donde los accesorios pueden tener contacto con alambres escondidos. El contacto con un cable con corriente también hará las partes de metal expuestas

cuenten con corriente y se le dará un choque al operador. Si se haga contacto con un cable "vivo", las piezas expuestas de metal también se convertirán en piezas "vivas" y se dará un choque al operador.

2. Tenga conciencia de que esta herramienta siempre está en condiciones de uso, ya que no tiene que estar enchufada en una salida eléctrica para operarse.
3. Asegúrese de siempre tener una base firme donde pisar.
4. Asegúrese que no haya nadie debajo del área de trabajo al momento de operar la herramienta en lugares altos.
5. Sostenga firmemente la herramienta y use ambas manos.
6. Mantenga las manos y el pelo lejos de las piezas giratorias.
7. No deje desatendida la herramienta cuando está encendida. No fuerce que la herramienta permanezca en una posición de "encendida." Opere la herramienta sólo cuando está en la mano.
8. No toque la broca del taladro, el casquillo de impacto, ningún adaptador ni la pieza de trabajo inmediatamente después de operar la herramienta; éstos pueden estar extremadamente calientes y podrían quemar la piel.
9. Algunos materiales contienen químicos los cuales pueden ser tóxicos. Tome precauciones para prevenir la inhalación del polvo del trabajo y su contacto con la piel. Siga los datos de seguridad del fabricante del material.

ADVERTENCIA:

EL USO INDEBIDO o hacer caso omiso a las reglas de seguridad declaradas en este manual instructivo puede casionar lesiones personales serias.

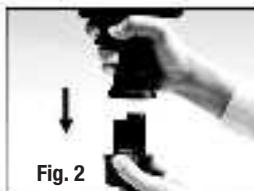
INSTRUCCIONES DE OPERACIÓN

La instalación o extracción del paquete de batería
(Ver Fig.1, Fig.2)

1. Su nuevo paquete de batería no está cargado completamente. Quizás sea necesario cargarlo antes del uso.
2. Asegúrese que el interruptor esté en la posición de apagado antes del insertar/retirar el paquete de batería.
3. Para extraer el paquete de batería, presione ambas lengüetas de cada lado de la batería y jale hacia abajo.
4. Para insertar el paquete de batería, alinee la batería con la caja de la herramienta y empuje la batería hacia adentro hasta que se haga un "clic," indicando que la batería esté completamente instalada.

Cargando el paquete de batería (Ver Fig.3)

1. La batería puede no cargarse cuando ésta está a una temperatura mayor al límite de temperatura pre-establecida. Deje que se enfríe la batería antes de cargarla.
2. El proceso de recarga tardará menos de una hora.
3. Después de cargarla, desenchufe el cargador de la fuente de potencia y almacénelo en un lugar seguro.



Operación de la herramienta

Este trinquete está diseñado para extraer e instalar los sujetadores roscados.

NOTA: La torsión actual en el sujetador está directamente relacionada con la dureza de la conexión, la velocidad de la herramienta, la condición del casquillo y el tiempo en el que la herramienta está permitido girarse.

Asegúrese que el trinquete esté apagado y que el cartucho de batería se haya extraído antes de realizar cualquier servicio en la herramienta. Para mantener la seguridad y confiabilidad del producto, las reparaciones, servicio y ajustes deben realizarse por parte de un centro de servicio autorizado de Matco.

⚠ ADVERTENCIA

SE PODRÍAN OCASIONAR LESIONES AL HACER CASO OMISO A ESTAS ADVERTENCIAS

¡GUARDE ESTAS INSTRUCCIONES!

INSTRUCCIONES DE SEGURIDAD PARA CARGADOR DE BATERÍA Y EMPAQUE DE BATERÍA

¡PELIGRO! LEA CUIDADOSAMENTE

120 voltios presentes en el borne de carga. NO rastree de ninguna forma con objetos conductores.



1. LEA CUIDADOSAMENTE Y COMPRENDA ESTAS INSTRUCCIONES

Este manual contiene instrucciones de seguridad y de operación críticas para la herramienta, cargador de batería y la batería.



2. Antes de usar el cargador de batería, lea todas las instrucciones y marcas precautorias en (1) el cargador de batería, (2) la batería y (3) el producto que use la batería.



3. PRECAUCIÓN – Con el fin de reducir el riesgo de lesiones, cargue solo las baterías recargables de MATCO marcadas en la etiqueta del cargador. Otros tipos de baterías podría explotarse, ocasionando lesiones y daños personales.



4. No esponga el cargador a nieve o lluvia.
5. Se podría ocasionar algún riesgo de incendio, choque eléctrico o lesiones personales al usar algún complemento no recomendado o vendido por Matco, o por el fabricante del cargador de la batería.

6. Con el fin de disminuir el riesgo de daños al enchufe o cable eléctrico, tírelo por el enchufe, y no por el cable, al momento de desconectar el cargador.
7. Asegúrese que el cable esté ubicado en algún lugar en el que este no se pisará, no se tropezará o que no estará de otra forma sujeto a daños o tensión.

8. No se debe emplear ningún alargador, al menos que sea absolutamente necesario. El uso de un alargador inadecuado podría ocasionar el riesgo de incendio o choque eléctrico. Si se considera necesario el uso de alguno, asegúrese que:

- a. Los pasadores en el enchufe del alargador sean del mismo número de tamaño y forma que los del enchufe en el cargador;
- b. que el alargador esté adecuadamente cableado y en buena condición eléctrica;
- c. que el tamaño del cable sea al menos del mismo largo que él especificado en la tabla a continuación.

Tabla 1: TAMAÑO MÍNIMO AWG RECOMENDADO PARA ALGARGADORES DE CARGADORES DE BATERÍA

Longitud del cable (pies)	25	50	75	100	150
Tamaño del cable AWG	18	18	16	14	12

9. No opere el cargador con algún cable o enchufe dañado - repóngalos inmediatamente.

10. No use el cargador si ha recibido un golpe fuerte, si se ha caído o ha sido dañado de cualquier otra forma; llévalo a un centro de servicio AUTORIZADO de MATCO.

11. NO desensamble el cargador o cartucho de batería; llévalo a su centro de distribución de servicio AUTORIZADO de MATCO. El reensamble incorrecto podría ocasionar algún riesgo de choque eléctrico o incendio.

12. Con el fin de reducir el riesgo de choque eléctrico, desenchufe el cargador de la toma de corriente antes de intentar cualquier mantenimiento o limpieza. No se disminuirá dicho riesgo al apagar los controles.

13. El cargador de batería no está destinado para uso de niños pequeños o personas enfermas sin supervisión.

14. Los niños pequeños deberán supervisarse para asegurar que no jueguen con el cargador de la batería.

DIRECTRICES OPERATIVAS PARA CARGADOR DE BATERÍA Y EMPAQUE DE BATERÍA

1. NO intente usar un transformador elevador, un generador de motor o receptáculo de potencia DC.

2. No permita que se cubran o atasquen las ventilas del cargador.

3. Siempre cubra los bornes de la batería con la caja o cubierta cuando el cartucho de la batería no está en uso.

4. No cortocircuite el cartucho de la batería:

(1) No toque los bornes con ningún material conductor.

(2) Evite almacenar la batería en algún recipiente con otros objetos de metal, tales como clavos, tornillos, monedas, etc.

(3) No esponga el cartucho de la batería a agua o lluvia. Un cortocircuito de la batería podría ocasionar un flujo de corriente largo, el sobrecalentamiento, quemaduras potenciales o aun su falla.



5. No almacene la herramienta y el cartucho de la batería en lugares donde la temperatura pueda alcanzar o exceder 50°C (122°F).



6. No incinere el empaque de la batería, aun si está severamente dañado o completamente desgastado. El cartucho de la batería puede explotarse en un incendio.

7. Tenga cuidado de no dejar caer, agitar o pegar la batería ya que lo mismo afectará su capacidad y podría anular la garantía.

8. No los cargue dentro de una caja o recipiente de ningún tipo. El cargador y la batería son dispositivos ventilados y NO deberán colocarse cerca de una fuente de calor ni exponerse al calor radiante.

9. Coloque el cargador sobre una superficie sólida y fuerte dado que hay ventilas en la parte inferior del cargador.

10. Siempre desenchufe el cargador de la fuente de alimentación cuando no se está realizando alguna secuencia de carga.

⚠ ADVERTENCIA

GUÍA DE USO Y CUIDADO DE LA BATERÍA INALÁMBRICA DE MATCO

¡IMPORTANTE!

Todas las baterías recargables cuentan con una vida útil limitada y perderán su capacidad de almacenamiento lentamente, en la medida que se envejecen y sean recicladas. Las baterías recargables son artículos consumibles y deben ser tratados cuidadosamente para asegurar la operación adecuada durante su vida útil limitada. Lea cuidadosamente la guía a continuación para consejos que puedan facilitar a maximizar el rendimiento de sus baterías recargables de Matco. Las baterías deben ser tratadas con cuidado y desechadas por las autoridades adecuadas.



¡ADVERTENCIA! ¡SE DEBE LEER!

No aplaste ni incinere las baterías, ya que esto podría ocasionar peligro de explosión.

No coloque las baterías en lugares confinados donde éstas puedan tener contacto con objetos conductivos. Por ejemplo, no coloque la batería en bolsas, cajas de herramientas, bolsas de herramientas, con tornillos, llaves, virutas de metal, etc. porque la batería puede cortar circuito y/o ocasionar un peligro de incendio.



Sólo cárguelas en cargadores de Matco y nunca intente conectarlas a fuentes alternas de carga.

El peligro de explosión, choque eléctrico, incendio y electrocución puede ser resultado de:

- Abuso, uso indebido y choque severo
- Sujetando la unidad a partículas, objetos o líquidos conductivos
- Conectando dos cargadores juntos
- Cargando baterías de Matco con otros cargadores
- Usando el cargador de Matco para cargar otras baterías
- Operando el cargador con un cable o enchufe dañado

EL CUIDADO ADECUADO MAXIMIZARÁ LA VIDA ÚTIL DEL PRODUCTO Note por favor que hay diferencias entre el cuidado de baterías de litio- ion.

CUIDADO ADECUADO PARA LAS BATERÍAS LITIO- ION (LI-ION) INFINIUM DE MATCO

- Todas las baterías litio-Ion son sensibles a altas temperaturas y deben mantenerse secas, en temperaturas frescas y fuera de la luz directa. El rango Ideal de temperatura para su operación y almacenamiento es de 32 a 75 °F. Las baterías litio-Ion pueden ser almacenadas en el refrigerador pero no se recomienda su almacenamiento en el congelador.
- No deje que las baterías queden sin usarse por períodos extendidos de tiempo, especialmente cuando estén completamente cargadas o descargadas. Antes de almacenarla, recargue una batería litio-Ion hasta aproximadamente un 50% de nivel de carga.
- Las baterías litio-Ion son sensibles a los choques. Evite dejarlas caer, que se peguen o se expongan a las vibraciones.
- Las baterías litio-Ion pueden ser recargadas frecuentemente y pueden ser recargadas antes de que estén completamente agotadas. De hecho, se deben recargar las baterías Litio ion idealmente antes de que estén completamente agotadas. Si se las recarguen cuando haya entre 25% y 50% de capacidad de carga restante, se puede alargar su vida útil.
- Los contaminantes pueden afectar adversamente el rendimiento y vida útil de las baterías litio-Ion. Minimice la exposición de la batería al polvo, la tierra y las partículas pequeñas.
- Recargue las baterías litio-Ion de Matco solo en dispositivos de recarga de Matco, específicamente diseñados para dicho tipo de batería. Nunca sujete las baterías a ningún otro dispositivo de carga, descarga o restauración rápidas.

GARANTÍA INALÁMBRICA DE MATCO

TRINQUETE 16V DE LARGO ALCANCE 1/4" Y 3/8"

Matco Tools garantiza que esta herramienta de 16 voltios está libre de defectos por el periodo de dos (2) años a partir de la fecha original de compra. Se requiere su registro por medio de su distribuidor autorizado local de Matco y/o por la entrega del formulario de registro completado incluido con el producto. Los productos defectuosos deberán ser devueltos a y analizados por VIS Repair and Service en los Estados Unidos o HT Pneumatic Rebuilders en Canadá, a las direcciones alistadas a continuación, el flete prepagado. Se anulará la garantía de cualquier herramienta al realizar el mantenimiento de la herramienta por parte del usuario o por un centro de servicio no autorizado.

MCL1620LB BATERÍA / MCLCHRG5 CARGADOR DE ION DE LITIO DE MCL16CHRG

Matco Tools garantiza su (batería / cargador de ion de litio) de ser libre de defectos en cuanto a material y mano de obra por un periodo de (2) años de la fecha original de compra. Se requiere el registro a través de su distribuidor local autorizado de Matco y/o entrega del registro completado incluido con el producto. Si la batería / cargador llegara a fallarse dentro del periodo de garantía, ésta debe ser devuelta, y analizada por parte de VIS Repair and Service en los Estados Unidos o HT Pneumatic Rebuilders en Canadá, o en las direcciones alistadas a continuación, el flete pre-pagado. Algún defecto de la capacidad de la batería puede definirse como la batería ya no acepta una carga o no sostiene la carga por el periodo especificado del fabricante según sea determinado por el centro de reparaciones de Matco Tools. Basada en la evaluación, Matco Tools, a su discreción, o reparará o repondrá cualquier batería que se encuentre ser defectuosa en cuanto a material o mano de obra a ningún costo. Consulte por favor la Guía de Cuidado de la Batería de Matco en el Manual de Operación Inalámbrica por cualquiera de los productos de Infinium. Ahí se encontrarán consejos útiles los que pueden maximizar la vida útil de su batería.

Direcciones para devoluciones a continuación:

VIS Repair and Service

315 Hawkins Rd.
Travelers Rest, SC 29690
(864) 660-8286

HT Pneumatic Rebuilders

22 Goodmark Place Unit #8
Toronto, ON M9W 6R2 Canada
(416) 231-0172

TRINQUETE 16V DE LARGO ALCANCE 1/4"
CLÉ À CLIQUET DE LONGUE PORTÉE 16V 1/4 PO
16V 1/4" LONG REACH RATCHET

MCL1614LR
MCL1614LRG
MCL1614LRM



⚠ AVERTISSEMENT



DÉPASSANT 60 LB-PI. LE COUPLE DE SERRAGE NOMINAL MANUEL PEUT ENTRAÎNER DES DOMMAGES À L'OUTIL NON COUVERTS PAR LA GARANTIE

SPÉCIFICATIONS

Type de pile	16V Lithium-Ion Infinium	Poids avec pile	3 lb
Prise de type carré	détente à bille 1/4 po	Largeur de la tête	1 1/4 po
Vitesse en régime libre	330 RPM	Pile compatible	MCL1620LB
Couple maximum.35 pi-lb	Raccord de graissage	Oui
Résistance de couple manuel55 pi-lb	Design de tête capturée	Oui – pince de retenue
Longueur avec pile	16 po	Garantie sur l'outil	2 ans

TRINQUETE 16V DE LARGO ALCANCE 3/8"
CLÉ À CLIQUET DE LONGUE PORTÉE 16V 3/8 PO
16V 3/8" LONG REACH RATCHET

MCL1638LR
MCL1638LRG
MCL1638LRM



SPÉCIFICATIONS

Type de pile	16V Lithium-Ion Infinium	Poids avec pile	3,4 lb
Prise de type carré	détente à bille 3/8 po	Largeur de la tête	1 1/4 po
Vitesse en régime libre	310 RPM	Pile compatible	MCL1620LB
Couple maximum.35 pi-lb	Raccord de graissage	Oui
Résistance de couple manuel	155 pi-lb	Design de tête capturée	Oui – pince de retenue
Longueur avec pile	16 1/2 po	Garantie sur l'outil	2 ans

⚠ AVERTISSEMENT



LISEZ TOUJOURS LES INSTRUCTIONS AVANT D'UTILISER LES OUTILS MOTORISÉS.



PORTEZ TOUJOURS DES LUNETTES DE SÉCURITÉ.



PORTEZ UNE PROTECTION POUR LES OREILLES.



ÉVITEZ L'EXPOSITION PROLONGÉE AUX VIBRATIONS.

⚠ AVERTISSEMENT

Certaines poussières produites par le sablage, le sciage, le meulage, le perçage et autres activités de construction contiennent des produits chimiques qui peuvent causer le cancer, des anomalies congénitales ou autres problèmes de reproduction. Voici quelques exemples de produits chimiques :

- Plomb provenant des peintures,
- Silicium cristallin provenant des briques, du ciment et d'autres produits de maçonnerie et
- Arsenic et chrome provenant du bois traité chimiquement.

Le risque que présentent ces expositions varient selon le nombre de fois que vous faites ce type de travail. Pour réduire l'exposition à ces expositions : travaillez dans un endroit bien ventilé et travaillez avec l'équipement de sécurité approuvé comme les masques à poussière qui sont conçus pour filtrer les particules microscopiques.

⚠ AVERTISSEMENT

LE MANQUE D'OBSERVER CES AVERTISSEMENTS PEUT CAUSER DES BLESSURES

**CONSERVEZ CES INSTRUCTIONS!
INFORMATION GÉNÉRALE
DE SÉCURITÉ
(POUR TOUS LES OUTILS À PILES)**

AVERTISSEMENT:

Veillez lire et bien comprendre toutes les instructions. Tout manquement aux instructions indiquées ci-après pourrait entraîner un choc électrique, un incendie, une explosion et/ou des blessures personnelles graves. Il est de la responsabilité du propriétaire de s'assurer que tout le personnel lise ce manuel avant d'utiliser l'appareil. Il revient aussi au propriétaire de l'appareil de conserver ce manuel en bon état et dans un endroit accessible permettant au manuel d'être vu et lu par tous. Si le manuel ou les étiquettes du produit sont perdus ou illisibles, contactez Matco Tools pour les faire remplacer. Si l'utilisateur-opérateur de l'appareil ne maîtrise pas bien l'anglais, les instructions relatives au produit et aux mesures de sécurité devront être lues et discutées avec l'opérateur dans sa langue maternelle par l'acheteur-propriétaire ou toute personne habilitée par lui à le faire, en s'assurant que l'opérateur en comprend bien le contenu.



Sécurité De La Zone De Travail

- Maintenez votre zone de travail propre et bien éclairé. Les bancs de travail encombrés et les endroits sombres sont propices aux accidents.
- N'utilisez pas les outils électriques dans une atmosphère où il y a possibilité d'explosion, comme en présence de liquides inflammables, de gaz ou de poussière. Les outils électriques créent des étincelles qui peuvent mettre le feu à la poussière ou aux vapeurs.
- Gardez les spectateurs, les enfants et les visiteurs éloignés lorsque vous manipulez un outil électrique. Les distractions peuvent vous faire perdre le contrôle et mettre les autres en danger.



Sécurité Électrique

- Un outil à piles avec des piles intégrales ou un bloc pile séparé doit être rechargé seulement avec le chargeur conçu pour celles-ci. Un chargeur qui convient à un type de pile peut créer un risque d'incendie s'il est utilisé avec une autre pile.
- Utilisez l'outil à piles seulement avec le bloc pile spécifiquement conçu pour celle-ci. L'utilisation de toutes autres piles peut créer un risque d'incendie.



Sécurité Personnelle

- Restez alerte, surveillez ce que vous faites et utilisez le bon sens en utilisant un outil électrique. N'utilisez pas l'outil si vous êtes fatigué ou sous l'influence de drogues, d'alcool ou de médicament. Un moment d'inattention lors de l'utilisation d'un outil électrique peut entraîner de sérieuses blessures corporelles.
- Habillez-vous adéquatement. Ne portez pas de vêtements lâches ou de bijoux. Contenez les longs cheveux. Gardez vos



cheveux, habillements et gants loin des pièces mobiles. Des vêtements lâches, des bijoux ou de longs cheveux peuvent être happés par les pièces mobiles.

- Évitez le démarrage accidentel. Assurez-vous que le commutateur est en position verrouillée ou arrêté, avant d'insérer le bloc pile. Les outils transportés avec votre doigt sur le commutateur ou le bloc pile inséré dans l'outil avec le commutateur en position marche sont une invitation aux accidents.
- Retirez les clés de serrage ou toutes autres clés avant de mettre l'outil en marche. Une clé restée fixée à une pièce en rotation de l'outil peut causer des blessures corporelles.
- Une exposition prolongée aux vibrations, les mouvements répétitifs, ou une posture inconfortable lors de l'utilisation peuvent être nuisibles pour vos mains et vos bras.
- Ne vous mettez pas hors d'équilibre. À tout moment, gardez une bonne position et un équilibre appropriés. Une bonne position et un équilibre appropriés permettent un meilleur contrôle de l'outil lors de situations inattendues.
- Utilisez l'équipement de sécurité. Portez toujours une protection oculaire. Un masque antipoussière, des chaussures de sécurité antidérapantes, un casque de sécurité, ou un protecteur auditif doivent être utilisés dans les conditions adéquates.



Utilisation De L'outil Et Entretien

- Utilisez des brides de fixation ou une autre façon pratique pour bien fixer et soutenir la pièce à une plate-forme stable. Tenir la pièce avec la main ou contre votre corps est instable et peut mener à la perte de contrôle.
- Ne forcez pas l'outil. Utilisez le bon outil pour votre application.
- N'utilisez pas l'outil si le commutateur ne peut être mis en position « Marche/Arrêt ». Un outil qui ne peut être contrôlé avec le commutateur est dangereux et doit être réparé.
- Enlevez le bloc pile de l'outil ou positionnez le commutateur à la position verrouillée ou arrêté, avant de faire tout ajustement ou changement d'accessoire, ou encore, d'entreposer l'outil. De telles mesures de sécurité préventives réduisent le risque de mettre l'outil en marche accidentellement.
- Entreposez les outils inutilisés hors de la portée des enfants et autres personnes non formées. Les outils sont dangereux dans les mains des utilisateurs non formés.
- Lorsque le bloc pile est non utilisé, gardez-le loin des autres objets en métal comme : trombones, pièces de monnaie, clés, clous, vis ou autres petits objets en métal, qui peuvent établir un contact à partir d'une borne à l'autre. Court circuiter les bornes de piles peut causer des étincelles, des brûlures ou un incendie.
- Vérifiez le désalignement ou le grippage des pièces mobiles, la rupture de pièces et de n'importe quelle autre condition qui peut affecter l'utilisation de l'outil. Si endommagé, faites le réparer avant de l'utiliser à nouveau. Beaucoup d'accidents sont provoqués par des outils négligés.



- Utilisez seulement les accessoires recommandés par le fabricant pour votre modèle. Les accessoires qui peuvent convenir à un outil peuvent créer un risque de blessures si utilisés sur un autre outil.



AVERTISSEMENT: Ce produit peut vous exposer à des produits chimiques y compris le phtalate, reconnu par l'État de la Californie comme causant le cancer et des anomalies congénitales ou d'autres effets nuisibles sur la reproduction. Pour de plus amples informations, aller à www.P65Warnings.ca.gov.

Réparation

- La réparation de l'outil doit être effectuée seulement par les centres de service autorisés énumérés par MATCO. La réparation ou l'entretien exécuté par un personnel non qualifié peut entraîner un risque de blessures. La réparation par un personnel non qualifié, l'utilisation des pièces non autorisées, et le manque d'observer les instructions d'entretien sont des éléments qui peuvent créer un risque de choc ou de blessures.

CONSERVEZ CES INSTRUCTIONS! RÈGLES SPÉCIFIQUES DE SÉCURITÉ

NE LAISSEZ PAS le confort ou la connaissance du produit remplacer l'adhérence stricte aux règles de sécurité au produit sans fil. Si vous utilisez cet outil imprudemment ou incorrectement, vous pouvez subir des blessures corporelles sérieuses.

- Tenez l'outil par les surfaces de préhension isolées en effectuant une opération où l'outil de coupe ou l'adaptateur peut entrer en contact avec du câblage caché. Le contact avec un fil « sous tension » mettra également « sous tension » les parties exposées en métal de l'outil et produira une décharge électrique à l'opérateur.

- Soyez vigilant, car cet outil demeure toujours en condition de fonctionnement; il n'a pas besoin d'être branché à une sortie électrique.
- Maintenez toujours une position ferme.
- Assurez-vous que personne ne se trouve sous vous lorsque vous utilisez l'outil dans des endroits élevés.
- Tenez l'outil fermement en vous servant de vos deux mains.
- Gardez les mains et les cheveux éloignés des pièces en rotation.
- Ne laissez pas l'outil en fonctionnement. Ne forcez pas l'outil à rester en position « MARCHE ». Actionnez l'outil seulement si tenu dans la main.
- Ne touchez pas le foret, la douille à choc, aucun adaptateur ou pièce, immédiatement après l'opération; ils peuvent être extrêmement chauds et pourraient vous brûler.
- Certains matériaux contiennent des produits chimiques qui peuvent être toxiques. Prenez des précautions afin de prévenir l'inhalation de la poussière et le contact avec la peau. Conformez-vous aux données de sécurité du fournisseur.

AVERTISSEMENT :

LA MAUVAISE UTILISATION ou le manque de suivre les règles de sécurité indiquées dans ce manuel d'instruction peut causer de sérieuses blessures.

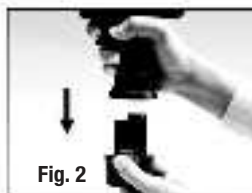
INSTRUCTIONS D'UTILISATION

Installation Ou Retrait Du Bloc Pile (voir la fig.1, fig. 2)

1. Votre nouveau bloc pile n'est pas entièrement chargé. Vous pouvez avoir besoin de le recharger avant son utilisation.
2. Assurez-vous que le commutateur est à la position arrêt avant l'insertion/retrait du bloc pile.
3. Pour retirer le bloc pile, appuyez sur les deux attaches de chaque côté de la pile et tirez vers le bas.
4. Pour insérer un bloc pile, alignez la batterie avec le logement d'outil et poussez-la à l'intérieur jusqu'au déclic indiquant que la pile est entièrement installée.

Chargement Du Bloc Pile (voir la fig.3)

1. La pile peut ne pas charger lorsqu'elle se trouve au-dessus d'une certaine limite de température pré-réglée. Permettez à la température de la pile de se refroidir avant la recharge.
2. Le processus de recharge prendra moins d'une heure.
3. Après la recharge, débranchez le chargeur de la source d'énergie et rangez-le dans un endroit sécuritaire.



Fonctionnement de l'outil

Cette clé à cliquet est conçue pour retirer et installer des attaches filetées.

REMARQUE : Le couple réel sur une attache est directement relié à la dureté de l'articulation, la vitesse de l'outil, la condition de la douille et le temps de rotation imprimé à l'outil.

Utilisez l'outil le plus simple possible pour attacher la douille. Chaque connexion absorbe de l'énergie et cela réduit la puissance.

Assurez-vous que la clé à cliquet est arrêtée et que la pile est retirée avant de mener à bien n'importe quels entretiens sur l'outil. Pour conserver la sécurité et la fiabilité du produit, les réparations, l'entretien ou les réglages doivent être effectués par un Centre de réparation Matco autorisé.

⚠ AVERTISSEMENT

INSTRUCTIONS DE SÉCURITÉ POUR CHARGEUR DE PILE & BLOC PILE



CONSERVEZ CES INSTRUCTIONS!

INSTRUCTIONS DE SÉCURITÉ POUR CHARGEUR DE PILE & BLOC PILE

DANGER! LIRE SOIGNEUSEMENT

Il y a 120 volts sur la borne de chargement. SOUS AUCUNE CIRCONSTANCE, NE TOUCHEZ avec des objets conducteurs.

1. Ce manuel contient des instructions de sécurité et d'opération critique pour l'outil, le chargeur de pile et les piles.

2. Avant d'utiliser le chargeur de piles, lisez toutes les instructions et inscriptions d'avertissement sur (1) le chargeur de piles, (2) la pile et (3) le produit utilisant la pile.

3. **AVERTISSEMENT** - Afin de réduire le risque de blessures, chargez seulement les piles rechargeables MATCO indiquées sur l'étiquette du chargeur. D'autres types de piles peuvent éclater causant des blessures corporelles et des dommages matériels.

4. N'exposez pas le chargeur à la pluie ou la neige.

5. L'utilisation d'un cordon électrique non recommandé ou non vendu par le fabricant du chargeur de pile peut avoir comme conséquence un risque d'incendie, de décharge électrique, ou de blessures aux personnes.

6. Pour réduire le risque de dommages à la prise électrique et au cordon, tirez sur la prise plutôt que sur le cordon électrique en déconnectant le chargeur.

7. Assurez-vous que le cordon est localisé de telle sorte que l'on ne marche pas dessus, soit déclenchée, ou autrement soumise aux dommages ou à l'effort.

8. Une rallonge ne devrait pas être utilisée à moins qu'absolument nécessaire. L'utilisation d'une rallonge inappropriée peut provoquer un risque d'incendie et de décharge électrique. Si il est nécessaire qu'une rallonge soit utilisée, assurez-vous :

- a. Les tiges sur la prise de la rallonge sont le même numéro de dimension, et de même forme que ceux de la prise sur le chargeur;
- b. Que la rallonge est correctement câblée et en bon état;
- c. Que la dimension de fil est au moins aussi grande que celle spécifiée dans la table ci-dessous.

Tableau 1 : DIMENSION AWG RECOMMANDÉE POUR LES RALLONGES DES CHARGEURS DE PILE

Longueur du cordon (pied)	25	50	75	100	150
Dimension AWG du cordon	18	18	16	14	12

9. N'utilisez pas le chargeur avec un cordon ou une prise endommagée - remplacez-les immédiatement.

10. N'utilisez pas le chargeur s'il a reçu un coup, est tombé, ou autrement endommagé de quelque façon; apportez-le à un centre de service **AUTORISÉ PAR MATCO**.

11. Ne démontez pas le chargeur ou la cartouche de la pile; apportez-la à votre centre de service **AUTORISÉ PAR MATCO**. Le réassemblage incorrect peut avoir comme conséquence un risque de décharge électrique ou d'incendie.



12. Afin de réduire le risque de décharge électrique, débranchez le chargeur de la sortie électrique avant d'effectuer tout entretien ou nettoyage. La fermeture du commutateur ne réduira pas ce risque.

13. Le chargeur de pile n'est pas prévu à l'usage des enfants en bas âge sans surveillance.

14. Les enfants en bas âge devraient être surveillés afin de s'assurer qu'ils ne jouent pas avec le chargeur de pile.

DIRECTIVES OPÉRATIONNELLES POUR LE CHARGEUR DE PILE ET LE BLOC PILE

1. N'essayez pas d'utiliser un transformateur élévateur, un moteur générateur ou une prise de courant DC.

2. Ne permettez à rien de couvrir ou d'obstruer les sorties d'air du chargeur.

3. Couvrez toujours les bornes de la pile avec la boîte ou le couvercle quand la cartouche de pile n'est pas utilisée.

4. Ne court-circuitez pas la cartouche de pile :

a. Ne touchez pas les bornes avec n'importe quel matériau conducteur.

b. Évitez d'entreposer la cartouche de pile dans un récipient avec d'autre objet en métal comme des clous, vis, pièces de monnaie, etc.

c. N'exposez pas la cartouche de la pile à l'eau. Un court circuit de la pile peut causer une circulation du courant, une surchauffe de possibles brûlures et même une panne.

5. N'entreposez pas la cartouche de pile ou l'outil dans des endroits où la température peut atteindre ou dépasser 50 °C (122 °F).

6. N'incinerez pas le bloc pile même s'il est sévèrement endommagé ou est complètement usé. La cartouche de pile peut exploser dans un feu.

7. Faites attention à ne pas laisser tomber, ne pas secouer ou ne pas frapper la pile, car cela affectera sa capacité et peut annuler la garantie.

8. Ne rechargez pas à l'intérieur d'une boîte ou d'un récipient de n'importe quelle sorte. Le chargeur et la pile sont des dispositifs aérés et NE doivent pas être placés près d'une source de chaleur ou exposés au rayonnement de la chaleur.

9. Placez le chargeur sur une surface solide comme il y a des sorties d'air du côté inférieur du chargeur.

10. Débranchez toujours le chargeur de l'alimentation d'énergie lorsqu'il n'est pas utilisé.



GUIDE D'UTILISATION ET D'ENTRETIEN DE SANS-FIL ET DE PILE DE MATCO

IMPORTANT!

Toutes les piles rechargeables ont une durée de vie limitée et perdront lentement leur capacité de stockage pendant qu'elles vieillissent et sont utilisées. Les piles rechargeables sont des articles consommables et devraient être soigneusement traitées pour assurer leur fonctionnement approprié pendant leur durée de vie limitée. Veuillez lire soigneusement le guide suivant pour des conseils qui peuvent maximiser le fonctionnement de vos piles rechargeables Matco. Les piles doivent être manipulées avec soin et être disposées par les autorités compétentes.



AVERTISSEMENT! À LIRE ATTENTIVEMENT!

N'écrasez pas ou n'incinerez pas les piles afin d'éviter tout risque d'explosion.

Ne placez pas les piles dans des espaces confinés qui pourraient les mettre en contact avec des objets conducteurs. Par exemple, ne mettez pas les piles dans des poches, des boîtes à outils, des sacs à outils, etc. avec des vis, des clés, des rognures de métal, etc. afin d'éviter tout court-circuit et risque d'incendie.



Rechargez seulement avec des chargeurs Matco et n'essayez jamais de câbler à des sources de recharge alternative.

Le danger d'explosion, de décharge électrique, d'incendie et d'électrocution peut résulter de :

- Abus, mauvaise utilisation, et choc sévère
- Soumettre l'unité aux particules, objets, et liquides conducteurs
- Relier deux chargeurs ensemble
- Recharger des piles Matco avec d'autres chargeurs
- Utiliser le chargeur de Matco pour charger d'autres piles
- Utilisation du chargeur avec un cordon ou une prise endommagée

UN ENTRETIEN APPROPRIÉ MAXIMISERA LA VIE DU PRODUIT

Veuillez noter qu'il y a des différences dans l'entretien de pile Lithium-Ion.

ENTRETIEN APPROPRIÉ DES PILES MATCO INFINIUM LITHIUM-ION (LI-ION)

- Toutes les piles Li-ion sont sensibles aux températures élevées et devraient être maintenues au frais, au sec, et hors de l'exposition à la lumière directe. La température ambiante idéale pour l'utilisation et l'entreposage se situe entre 32 et 75 °F. Les piles Li-ion peuvent être entreposées au réfrigérateur, mais les congélateurs ne sont pas recommandés.
- Ne laissez pas les piles inutilisées pendant des périodes prolongées, particulièrement quand la pile est entièrement chargée ou entièrement déchargée. Amenez une pile Li-ion au niveau de charge de 50 % approximativement avant l'entreposage.
- Les piles Li-ion sont sensibles au choc. Évitez de les échappées, de les frapper ou de les exposer à la vibration.
- La pile Li-ion peut être rechargée fréquemment et rechargée avant qu'elle ne soit entièrement à plat. La pile Li-ion, en fait, est idéalement rechargeable avant qu'elle ne soit complètement à plat. La recharge quand il y a de 25 % — 50 % de sa capacité demeurant dans la pile peut prolonger sa durée de vie.
- Les contaminants peuvent compromettre le fonctionnement et la durée de vie des piles Li-ion. Réduisez au minimum l'exposition de la pile à la poussière, à la saleté, et aux petites particules.
- Rechargez les piles Li-ion de Matco seulement dans les dispositifs de rechargement Matco qui sont conçus spécifiquement pour ce type de pile. Ne soumettez jamais les piles à aucun dispositif de charge rapide, décharge rapide, régénération rapide.

GARANTIE SANS FIL DE MATCO

CLÉ À CLIQUET DE LONGUE PORTÉE 16V 1/4 PO ET 3/8 PO

Matco Tools garantit cet outil 16V contre tout défaut pour une période de deux (2) ans à partir de la date initiale d'achat. L'inscription de votre outil est requise en passant par votre distributeur Matco local autorisé et/ou en soumettant le formulaire d'inscription inclus avec le produit dûment complété. Les produits défectueux doivent être retournés et analysés par VIS Repair and Service aux Etats-Unis, ou HT Pneumatic Rebuilders au Canada, aux adresses indiquées ci-après, par envoi prépayé. Toute réparation de cet outil effectuée par l'utilisateur ou par un centre de service non autorisé annulera la garantie sur l'outil.

PILE LITHIUM-ION MATCO 16V MCL1620LB / CHARGEUR MCL16CHRG

Matco Tools garantit sa pile/chargeur 16V Lithium-ion contre tout défaut de fabrication et de matériaux pour une période de deux (2) ans à partir de la date initiale d'achat. L'inscription de votre outil est requise en passant par votre distributeur Matco local autorisé et/ou en soumettant le formulaire d'inscription, inclus avec le produit, dûment complété. Dans le cas d'une défaillance de la pile/ chargeur durant la période de garantie, ce produit doit être retourné et analysé par VIS Repair and Service aux États-Unis ou par HT Pneumatic Rebuilders au Canada, à l'une des adresses indiquées ci-bas, fret payé d'avance. Une défaillance dans la capacité de la pile pourrait être définie comme une pile n'acceptant plus de recharge, ou incapable de conserver la charge prévue spécifiée à sa fabrication tel que déterminé par le Centre de réparation d'outils Matco. Selon son évaluation, Matco Tools réparera ou remplacera, gratuitement et à son choix, toute pile qui s'avère défectueuse en raison d'un vice de fabrication ou de matériaux. Veuillez consulter le Guide Matco d'entretien des piles dans le Manuel de fonctionnement sans fil (Cordless Operating Manual) pour tous les produits Infinium. Vous y trouverez des astuces vous permettant de maximiser la durée de vie utile de votre pile.

Voici la liste des adresses de retour :

VIS Repair and Service

315 Hawkins Rd.
Travelers Rest, SC 29690
(864) 660-8286

HT PNEUMATIC REBUILDERS

22 Goodmark Place Unit #8
Toronto, ON M9W6R2
(416) 213-0172