

# 24-IN WALL CABINET

ITEM #5141663

MODEL #1688WC-24-274



MODEL NUMBER	DESCRIPTION
1688WC-24-274	O21 24-IN NOVA CERUSED NATURAL OAK WALL CABINET

**ATTACH YOUR RECEIPT HERE**

Serial Number \_\_\_\_\_ Purchase Date \_\_\_\_\_

**Questions, problems, missing parts?** Before returning to your retailer, call our customer service department at 888-251-1026, 8 a.m. - 8 p.m., EST, Monday - Sunday.



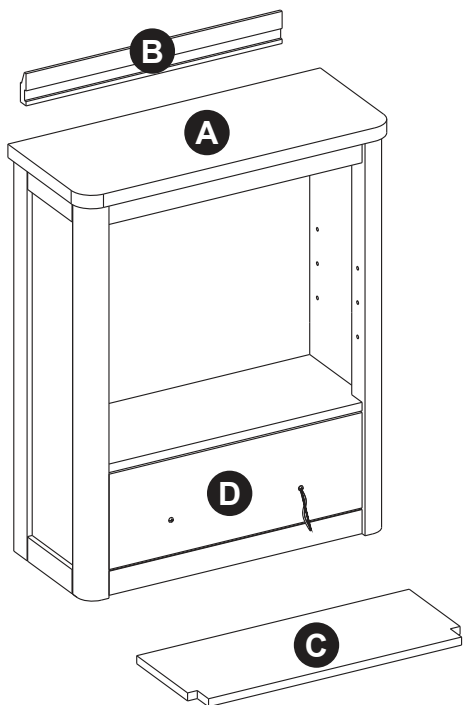
## TABLE OF CONTENTS

---

Package Contents.....	3
Hardware Contents.....	3
Safety Instructions.....	3
Preparation .....	4
Assembly or Installation Instructions .....	4
Care and Maintenance .....	6
Warranty .....	6
Replacement Parts List .....	7

## PACKAGE CONTENTS

---

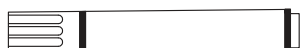


PART	DESCRIPTION	QUANTITY
A	Cabinet	1
B	Wall Bracket	1
C	Shelf	1
D	Flip Down Door (preassembled to cabinet (A))	1

## HARDWARE CONTENTS (NOT SHOWN ACTUAL SIZE)

---

AA



Touch Up Pen  
Qty. 1

## SAFETY INSTRUCTIONS

---

Please read and understand this entire manual before attempting to assemble, operate or install the product.

### WARNING

- There are several assembly steps, including unpacking, that require two adults.

### CAUTION

- Before installation, carefully use scissors or utility knife to cut and unwrap all parts. Make sure you DO NOT discard the hardware.
- Follow these instructions closely, take your time, and use care while assembling this wall cabinet.

**KEEP THESE INSTRUCTIONS FOR FUTURE REFERENCE.**

## PREPARATION

Before beginning assembly of product, make sure all parts are present. Compare parts with package contents list and hardware contents list. If any part is missing or damaged, do not attempt to assemble the product.

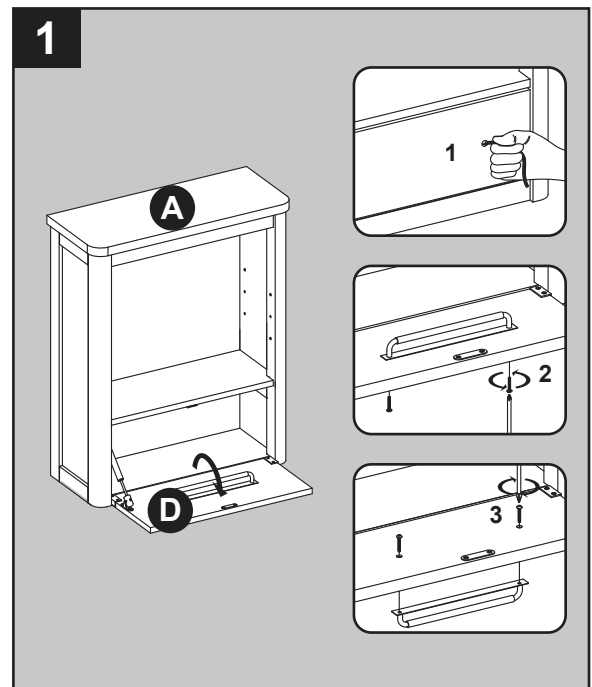
**Estimated Installation Time:** 20 minutes.

Tools Required for Installation (not included): Phillips screwdriver, utility knife or scissors, power drill with drill bit.

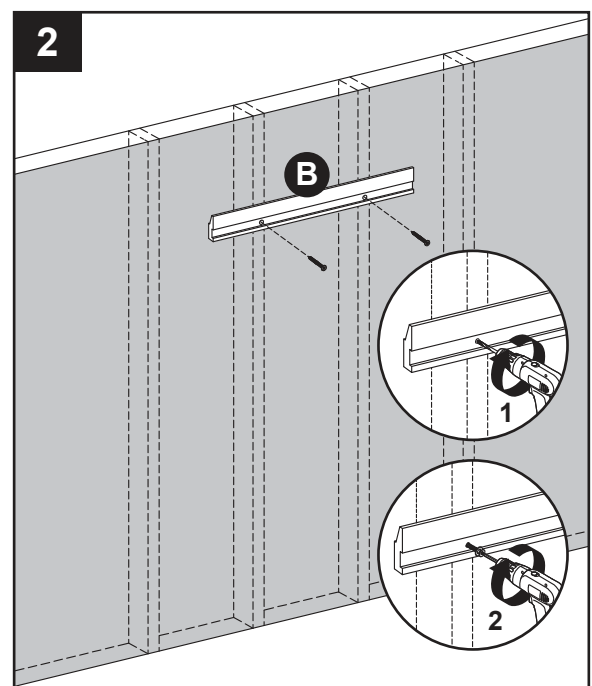
Helpful Tools (not included): Measuring tape, level

## INSTALLATION INSTRUCTIONS

1. The handle for this wall cabinet is attached to the inside of the flip down door (D). Use the attached string to open the drawer initially. Unscrew the handle and reattach to the outside of the drawer, as illustrated in the diagram.

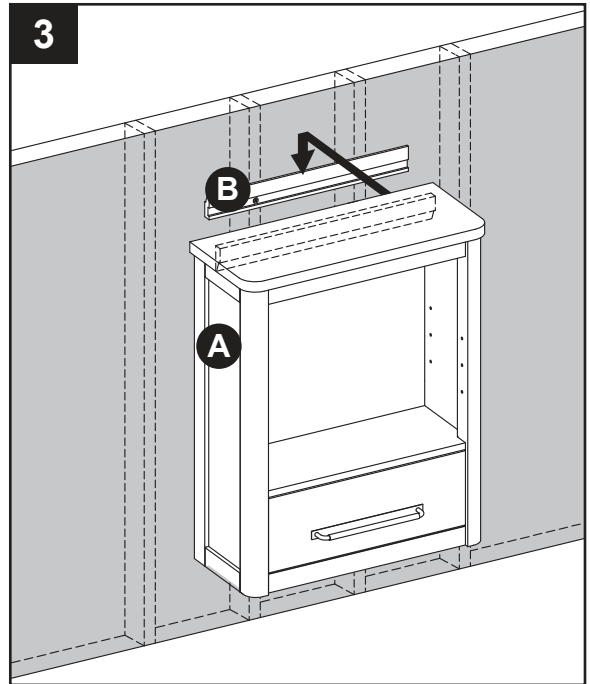


2. Locate wall bracket (B) and set aside.  
Locate and mark wall stud locations where cabinet (A) will be placed. Center wall bracket (B) in desired level location off the floor and mark locations where wall bracket (B) meets the location of the wall studs.  
Using hardware appropriate for your wall type (not included), secure the wall bracket (B) to the wall into preferably 2 wall studs. Use hardware such as a cabinet screw or toggle bolt depending on your wall type. Make sure the wall bracket (B) is level and centered well to the desired location of the cabinet (A). Be careful not to disturb any plumbing or electrical lines that may be concealed in the wall.  
**!IMPORTANT SAFETY STEP!**  
It is critical to have a strong secure connection to the wall before continuing to the next step.

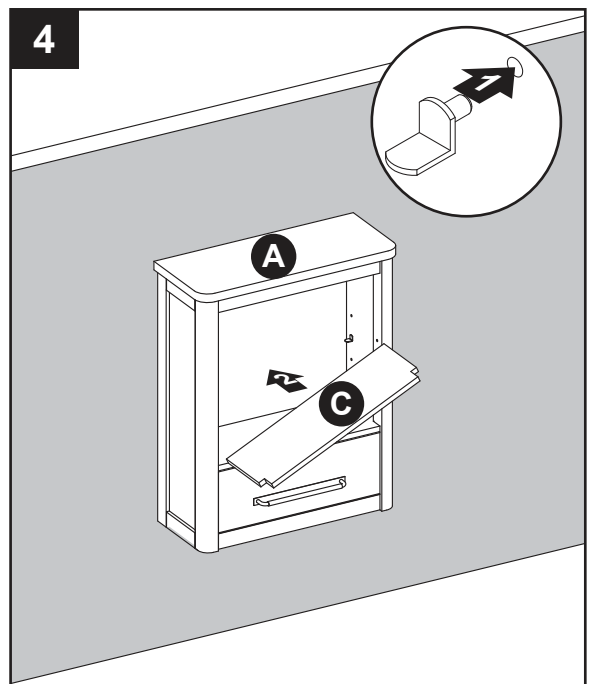


## INSTALLATION INSTRUCTIONS

3. With the help of another adult, carefully lower the cabinet (A) down onto the wall bracket (B). Be sure the cabinet (A) is secure to the wall before letting go.



4. From the front of the assembly, insert shelf pins at desired height, ensuring they are level. Place shelf (C) on top of shelf pins.



## **CARE AND MAINTENANCE**

---

- Dust the wall cabinet regularly with a soft, non-lint producing cloth or household dusting product.
- You can clean the wall cabinet with a gentle, non-abrasive household cleaner.
- Make sure to dry the wood immediately with a soft cloth or towel.
- Tips for using touch-up pen (AA): For scratches, stroke in direction of scratch. Rub off excess colorant promptly with a soft cloth.

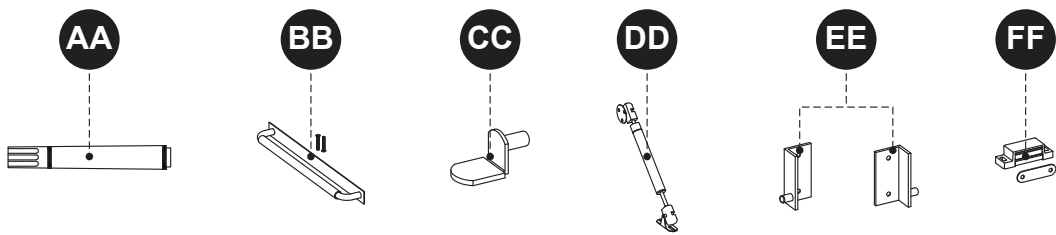
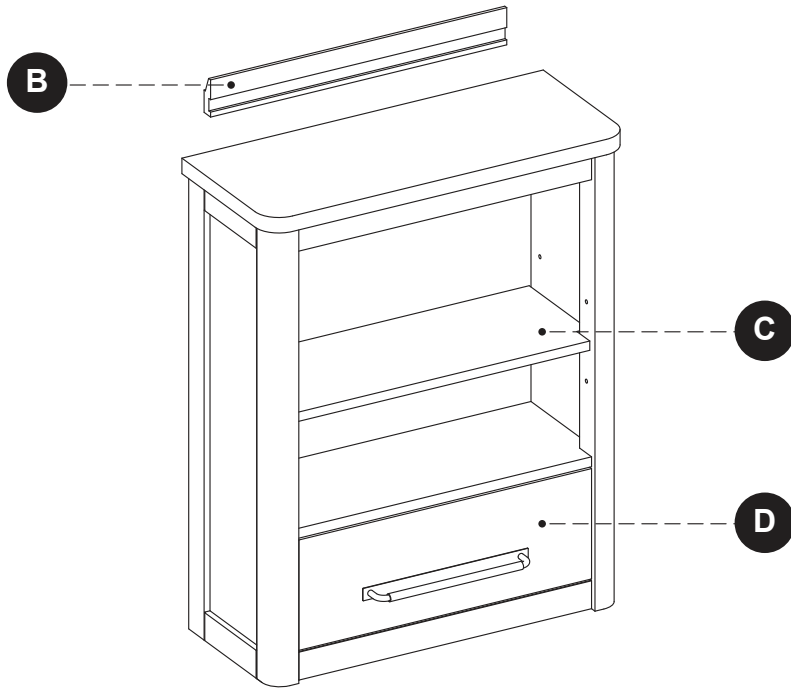
## **WARRANTY**

---

The manufacturer warrants this item against defects in materials and workmanship for a period of one (1) year from the date of original retail purchase. This warranty applies only to the original purchaser. This warranty does not apply to any damage on the product by accident, misuse, or modified, improper installation or by affixing accessories not produced by the manufacturer. The manufacturer is not accountable whatsoever for product installation during the warranty period. There is no further expressed warranty. The manufacturer shall not be legally responsible for incidental, consequential or special damages arising at or in connection with product use or performance except as may otherwise be accorded by law. The manufacturer disclaims any and all implied warranties.

# REPLACEMENT PARTS LIST

For replacement parts, call our customer service department at 888-251-1026, 8 a.m. - 8 p.m., EST, Monday - Sunday. You could also contact us at [partsplus@lowes.com](mailto:partsplus@lowes.com) or visit [www.lowespartsplus.com](http://www.lowespartsplus.com).



PART	DESCRIPTION	PART #
B	Wall Bracket	WC-WALL BRACKET-274
C	Shelf	1688WC-24-274-SHELF
D	Flip Down Door	1688WC-24-274 FLIP DOWN DOOR
AA	Touch-up Pen	M-3008
BB	Short Handle-matte black	1688-MB SHORT HANDLE
CC	Shelf Pin	B1044
DD	Flip-Down Door Hardware Set	PU17-1480WC-DD/EE/FF
EE		
FF		