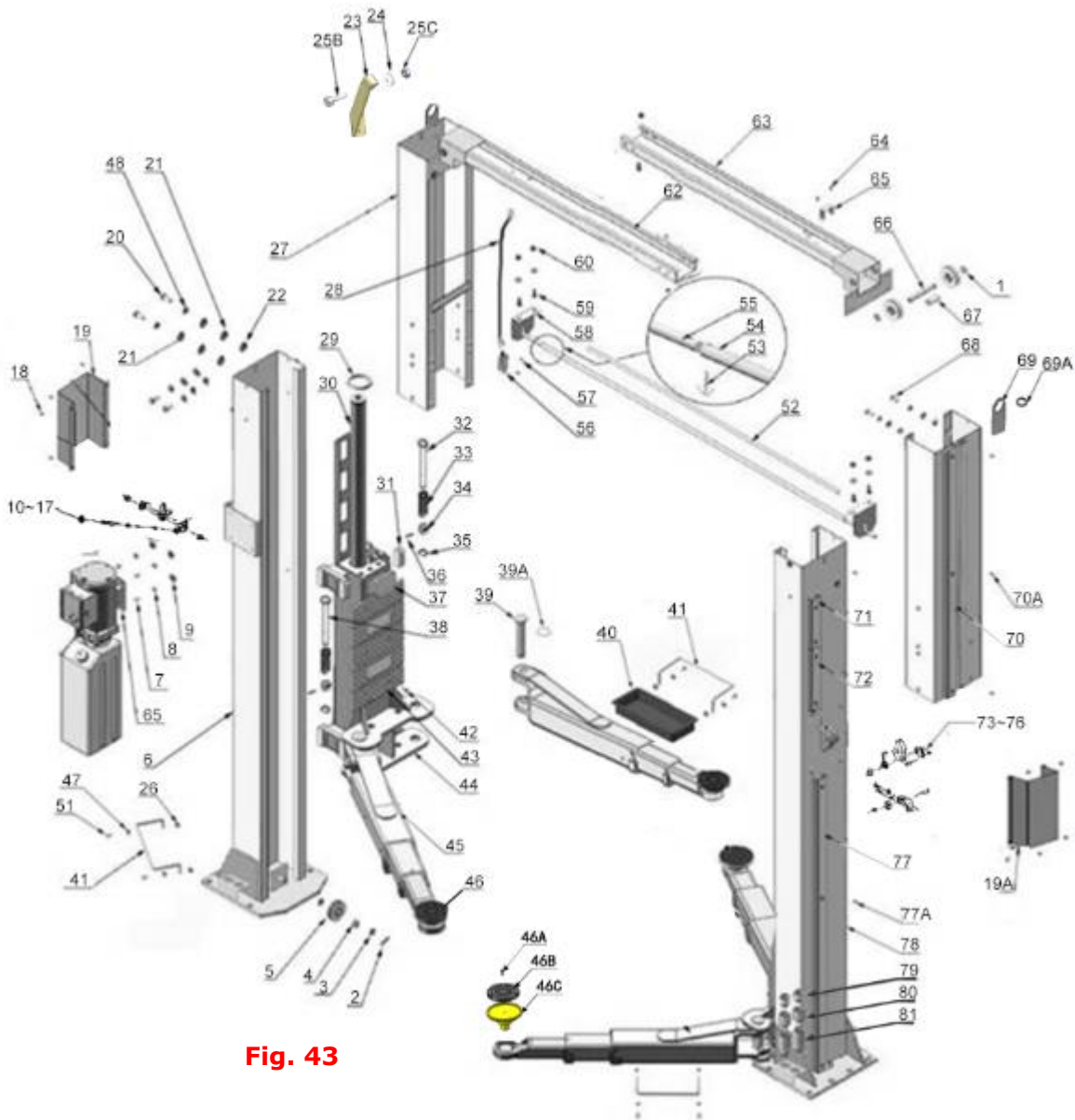


## IV. EXPLODED VIEW

### Model 209C 209CH



**Fig. 43**

### Parts List

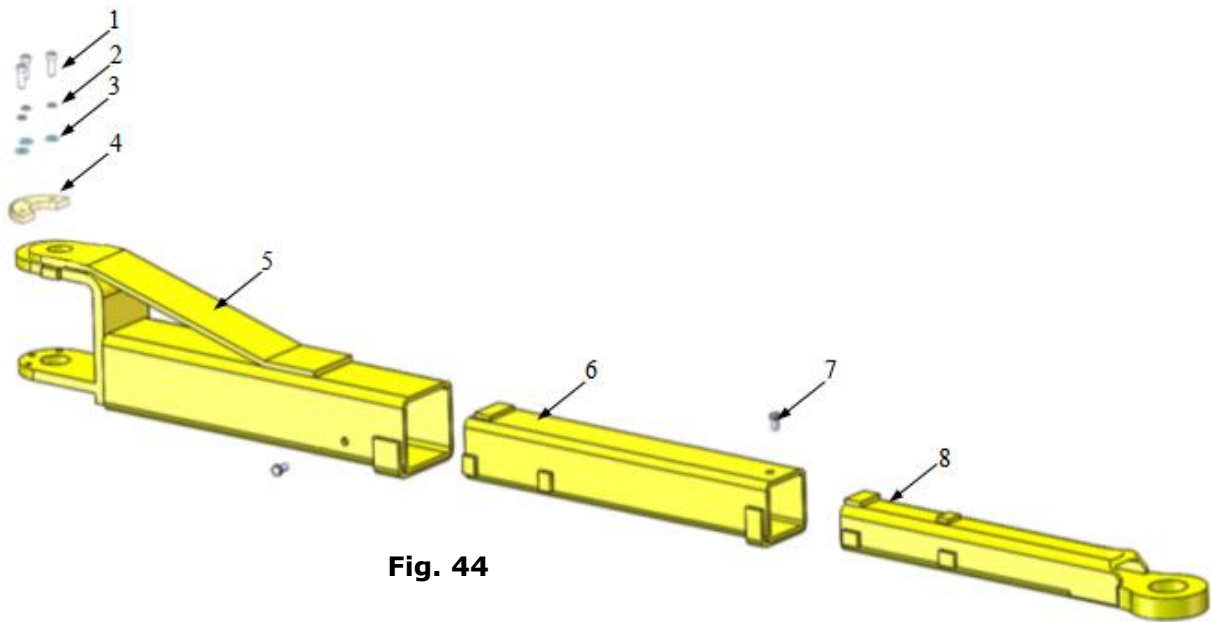
Item NO.	Parts No.	Description	Quantity		Note
			209C	209CH	
1	10206019	Snap Ring	4	4	
2	10209012	Hain Pin	2	2	
3	10209128	Washer	4	4	
4	10209057B	Bronzed bush for Pulley	6	6	
5	11206020	Pulley	6	6	
6	11206001C	Power Side column	1	1	
7	10209003	Hex Bolt	8	8	

8	10209004	Rubber Ring	4	4	
9	10209005	Self Locking Nut	8	8	
10	11217436	Safety device spacer	2	2	
11	11217006	Safety device control handle	1	1	
12	10217005	Plastic ball	1	1	
13	10206023A	Hex Nut	1	1	
14	10420026	Spring Washer	1	1	
15	10206006	Washer	27	27	
16	11217004	Main Cam Lock	1	1	
17	11217012	Safety device spacer	2	2	
18	10209009	Cup head bolt	10	10	
19	11217405	Power sider safety device cover	1	1	
19A	11217406	Offside safety device cover	1	1	
20	10209126	Hex Bolt	20	20	
21	10209022	Washer	40	40	
22	10209021	Hex Nut	20	20	
23	11217026	Safety Cable bracket	2	2	
24	10206009	Plastic pulley	3	3	
25	10217013	Hex Bolt	8	8	
25A	10420018	Self locking nut	8	8	
25B	10209046	Hex Bolt	3	3	
25C	10209056	Self Locking Nut	3	3	
26	10209033	Wahser	12	12	
27	11206204	Extention Column L=1240mm	2	0	
	11206207	Extention ColumnL=1850mm	0	2	
28	10206137	Wire L=3700	1	0	
	10206138	Wire L=4310	0	1	
29	10209111	Cyclinder protetive Ring	2	2	
30	11217056	Cylinder	2	2	
31	10209015	Slider Block	16	16	
32	11206046A	Arm Lock Bar (left)	2	2	
33	10206050A	Spring	4	4	
34	10217044	Arm Lock	4	4	
35	10206032	Snap Ring	4	4	
36	10206036	Hair Pin	4	4	
37	10209016	Carriage platic cover	2	2	
38	11206046	Arm Lock Bar (right)	2	2	
39	11217168	Arm Pin	4	4	
39A	10520023	Snap Ring	4	4	
40	10206190	Tool Tray (short)	2	2	
41	11206191	Short Toe Guard	4	4	
42	10209019	Screw	12	12	
43	10209018	Protective Rubber	2	2	
44	11279004	Carriage	2	2	
45	10203156	Frong Arm Assembly	4	4	

46	10201046A	Rubber Pad Assy.	4	4	
46A	10420138	Socket Bolt	4	4	
46B	10209134	Rubber Pad	4	4	
46C	11680030C	Support Frame	4	4	
47	10209034	Lock Washer	14	14	
48	10209039	Lock Washer	32	32	
49	10209059B	Anchor Bolts	12	12	
50	10206500B	Parts Box	1	0	
	10206501B		0	1	
51	10201002	Hex Bolt	14	14	
52	10206025A	Form Cusion	1	1	
53	10201005	Slit pin	2	2	
54	11206129	Control Bar L=2400mm	1	1	
55	11206025C	Connecting pin for contol bar	2	2	
56	10206013	Limit Switch	1	1	
57	10206011	Cup head bolt	2	2	
58	11206042	Contorl bar suport bracket	2	2	
59	10206041	Hex BOLT M12*20	4	4	
60	10206023	Self Locking Nut M12	12	12	
61	10209056	Self Locking Nut M10	4	4	
62	11206205	Top Beam A	1	1	
63	11206206	Top Beam B	1	1	
64	10206028	Cup Head bolt M5*8	4	4	
65	81513001/ 81513002	Power Unit	1	1	
66	11206021	Pin for pulley	2	2	
67	11206022	Top pulley tube	2	2	
68	10206024	Hex Bolt M12*25	8	8	
69	11217024	Hose Support	2	2	
69A	1061K074	Protective Ring	2	2	
70	11203752	Protetive Cover L=1140	2	0	
	11203756	Protetive Cover L=1750	0	2	
70A	10206110	Cup head bolt M6*35	6	6	
71	11206084	Protetive Cover L=200	2	2	
72	11206083	Protetive Cover L=385	2	2	
73	10217008	Spring $\phi 2.5 \times 145^\circ$	1	1	
73A	10217030	Protetive Cover $\phi 2.5 \times 120^\circ$	2	2	
74	11217009	Safe Device	2	2	
75	10217010	Hex Bolt	1	1	
76	11217029	Pulley bracket	1	1	
76A	11217031	Cam Lock	1	1	
76B	10217032	Connect pin for cable	1	1	
76C	10217033	Self locking nut	1	1	
77	10203778	Protective cover L=1545	2	2	
77A	10206079	Cup Head bolt M6*40	14	14	

78	11206203	Offside column	1	1	
79	11209051B	Stackable adaptor ( 1.5 " )	4	4	
80	11209052B	Stackable adaptor ( 2.5 " )	4	4	
81	11209053B	Stackable adaptor ( 5 " )	4	4	
82	10217066	Hex Bolt	2	2	
83	10217011	Hex Nut	1	1	
84	10420045	Washer	18	18	
85	10206064A	Cable L=10030mm	2	0	
	10206064B	Cable L=11250mm	0	2	
86	10206132	Oil Hose L=4470mm	1	0	
	10206133	Oil Hose L=5080mm	0	1	
87	10209060	90 degree fitting	1	1	
87A	10211016	T Fitting	1	1	
88	10209064	Straight fitting	2	2	
89	10206062	Straight fitting	2	2	
90	10233009	Straight fitting (pipe)	2	2	
91	10206130	Oil Hose L=5350mm	2	0	
	10206131	Oil Hose L=5960mm	0	2	
92	10206149	Safety Cable L=7450mm	1	0	
	10206065A	Safety Cable L=8670mm	0	1	
93	10209066	Hex Nut	8	8	
94	10201090	Shim ( 1mm)	10	10	
	10620065	Shim ( 2mm)	10	10	
95	10209152	Tie 3*150mm	4	4	
96	10209149	Lock washer	2	2	

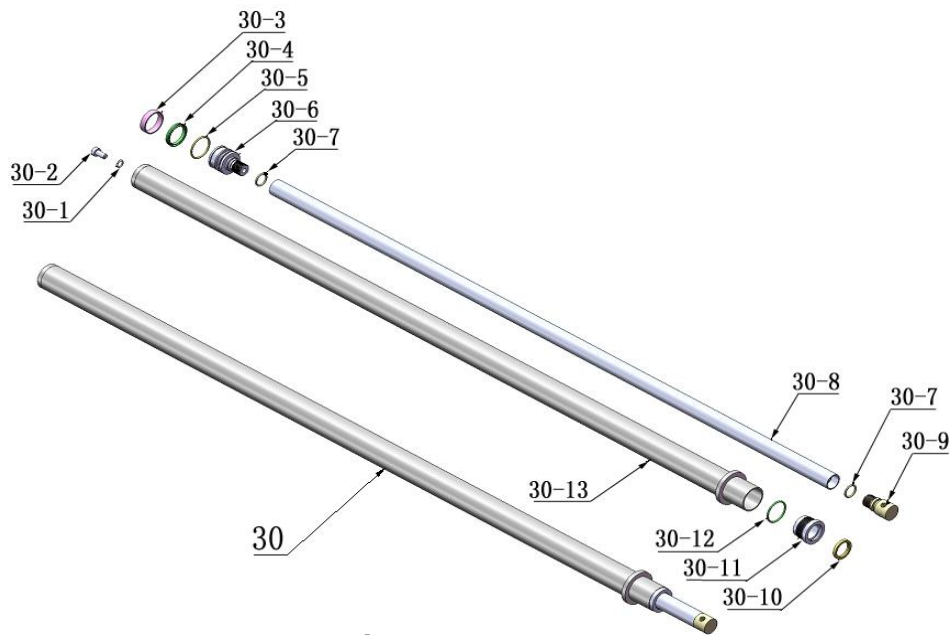
#### 4.1 Lifting arm (10203156):



**Fig. 44**

Item NO.	Parts No.	Description	Qty	Note
1	10206048	Socket Bolt M10*30	12	
2	10209039	φ10 Spring washer	12	
3	10209022	φ10 Washer	12	
4	11206049	Moon Gear	4	
5	11203146	Outer arm	4	
6	11203147	Middle arm	4	
7	10201149	Cup Head bolt	8	
8	11201049A	Inner Arm	4	

## 4.2 Cylinders (10217056)



**Fig. 45**

Item NO.	Parts No.	Description	Qty
30-1	10209069	O-Ring	2
30-2	10209070	Bleeding Plug	2
30-3	10209071	Support Ring	2
30-4	10209072	Y-Ring	2
30-5	10209073	O-Ring	2
30-6	11209074	Piston	2
30-7	11209075	O-Ring	2
30-8	11217076	Piston Rod	2
30-9	11209077	Piston Rod Fitting	2
30-10	10209078	Dust Ring	2
30-11	11209079	Head Cap	2
30-12	10209080	O-Ring	2
30-13	11209081A	Bore Weldment	2

### 4.3 Manual Power Unit (81513001/81513002) exploded view:

220V/50Hz/1Phase/manual

380V/50Hz/3Phase/manual

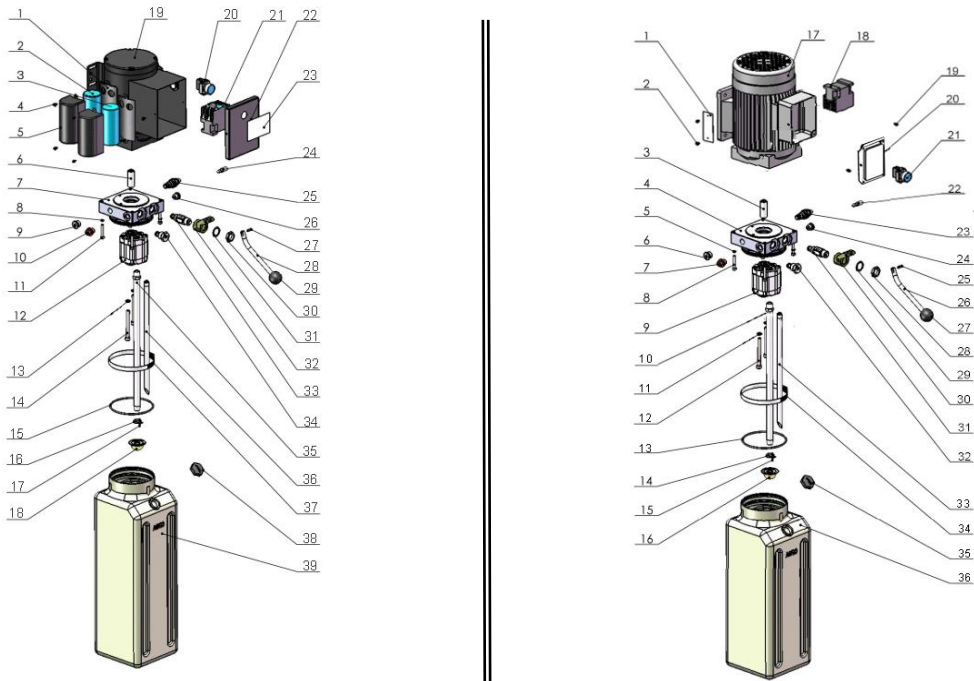


Fig. 46

#### Part list for 220V/50HZ/1phase

No	Part no	Name	QTY
1	81400180	Rubber Pad	2
2	81400130	Start Capacitor	1
3	81400088	Running Capacitor	1
4	10420148	Cup head bolt	6
5	81400066	Capacitor Cover	2
6	81400363	Motor Connecting Shaft	1
7	80101013	Manifold Block	1
8	10209149	Spring Washer	4
9	81400276	Iron plug	1
10	81400259	Red Plastic plug	1
11	85090142	Socket Bolt	4
12	81400280	Gear Pump	1
13	10209034	Spring Washer	2
14	81400295	Socket Bolt	2
5	81400365	O Ring	1
16	10209152	Tie	1
17	85090167	Magnet	1
18	81400290	Filter	1
19	81400413	Motor	1
20	10420070	Push Button	1
21	41030055	Ac Contactor	1
22	81400287	Terminal cover	1
23	71111170	AMGO Name Plate	1

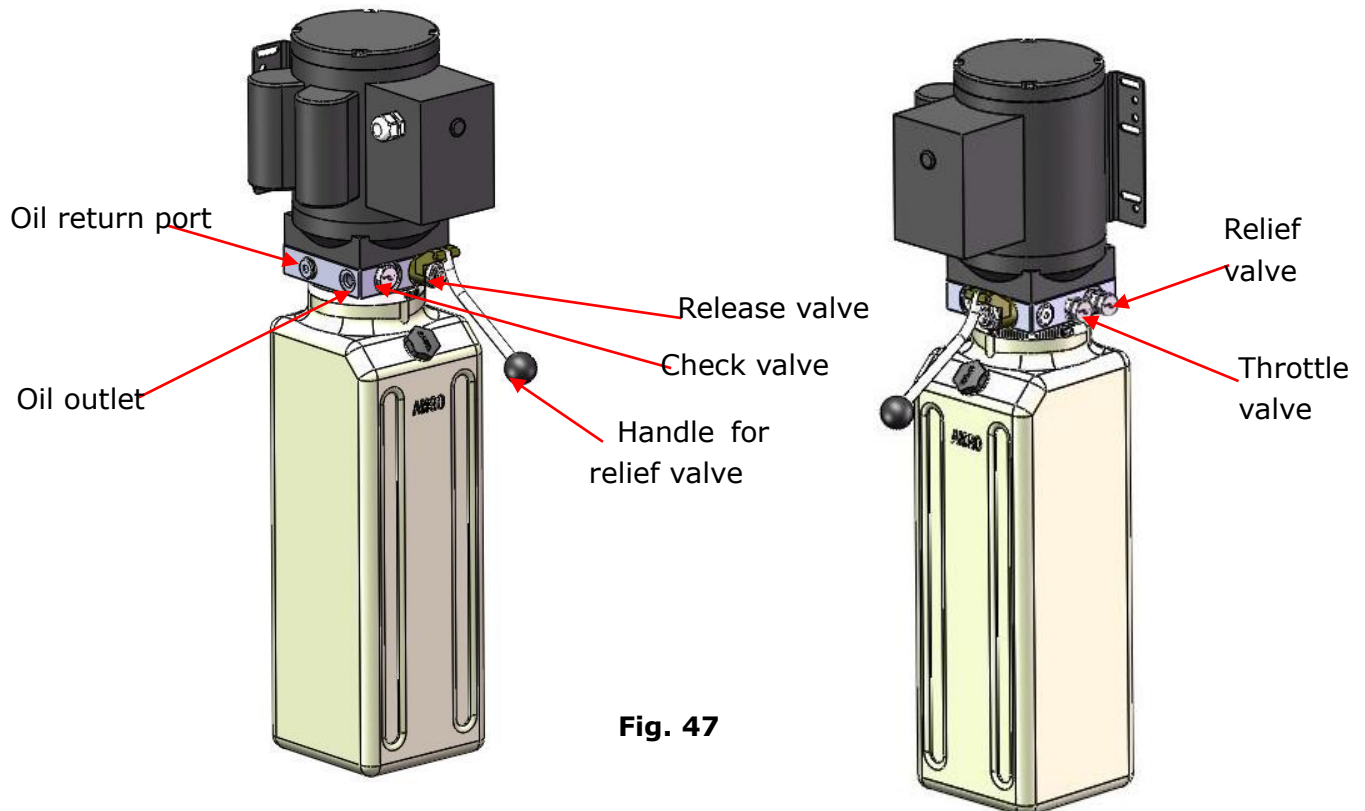
24	81400560	Throttle valve	1
25	81400266	Relief Valve	1
26	81400284	Plug	1
27	10720118	Pin	1
28	81400451	Release Valve Handle	1
29	10209020	Plastic Ball	1
30	81400421	Reelase Valve Nut	1
31	81400422	Self Locking Nut	1
32	81400449	Vavle Seat	1
33	81400567	Release Vavle	1
34	81400566	Check Valve	1
35	81400288	Oil suction hose	1
36	81400289	Oil return hose	1
37	81400364	clamp	1
38	81400263	Oil tank cover	1
39	81400275	Oil tank	1

### Part list for 380V/50HZ/3phase

No	Part no	Name	QTY
1	71150055	AMGO Name plate	1
2	81400300	Cuphead Bolt	2
3	81400363	Motor Connecting Shaft	1
4	81400362	Manifold Block	1
5	10209149	Spring Washer	4
6	81400276	Iron Plug	1
7	81400259	Red Plastic Plug	1
8	85090142	Socket Bolt	4
9	81400292	Gear Pump	1
10	81400288	Oil suction hose	1
11	10209034	Spring Wahser	2
12	81400295	Socket Bolt	2
13	81400365	O Ring	1
14	10209152	Tie	1
5	85090167	Magnet	1
16	81400290	Filter	1
17	81400439	Motor	1
18	81400348	AC Contactor	1
19	10420148	Cup Head Bold	2
20	80101022	Terminal Box For Motor	1
21	10420070	Push Button	1
22	81400560	Throttle valve	1
23	81400266	Relief Valve	1
24	81400284	Plug	1
25	81400452	Pin	1
26	81400451	Release Valve Handle	1
27	10209020	Plastic Ball	1
28	81400421	Release Vavle Nut	1
29	81400422	Self Locked washser	1

30	81400449	Valve Seat	1
31	81400567	Release Vavle	1
32	81400566	Check Valve	1
33	81400289	Oil Rurn Hose	1
34	81400364	clamp	1
35	81400263	Oil tank cover	1
36	81400275	Oil tank	1

**Illustration of hydraulic valve for hydraulic power unit**



**Fig. 47**