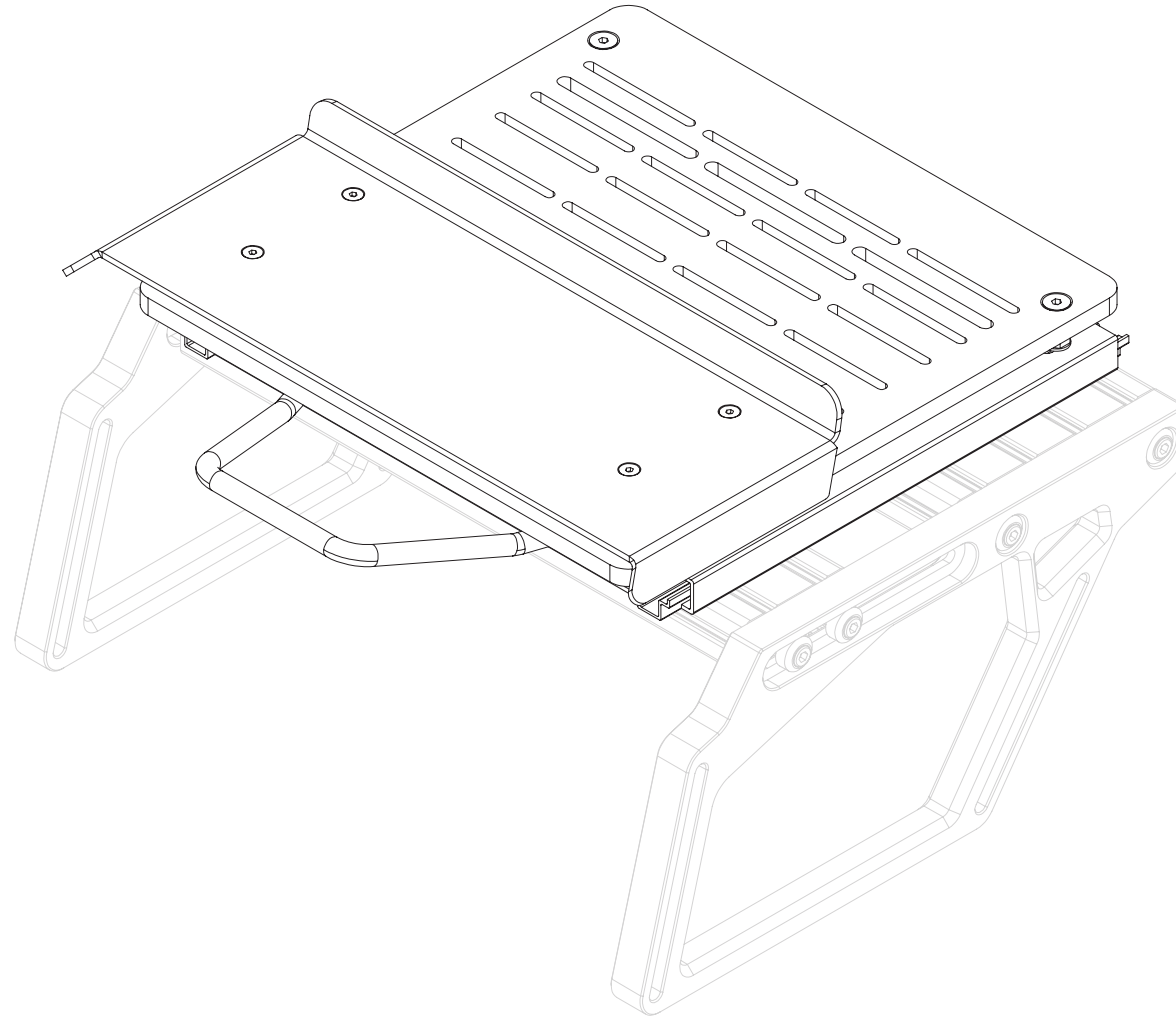


# **SIM LAB**

## INSTRUCTION MANUAL



## **PEDAL SLIDER BASEPLATE**

**VERSION 2.3**

Last updated: 07-01-2025

## BEFORE YOU START:

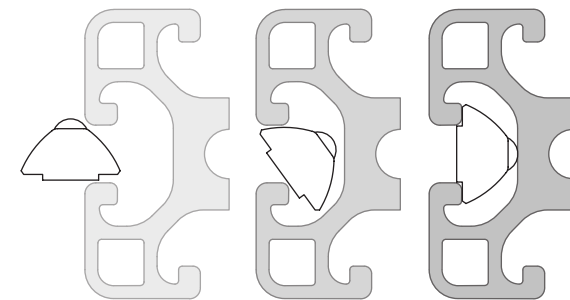
Thank you for purchasing this Sim-Lab product! On the following pages, you will find detailed instructions on assembly. This requires only a set of simple tools and some of your time. Please check the bill of materials before starting (page 14) and make sure all the parts are delivered.

### Compatibility:

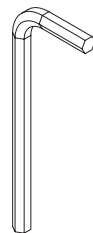
This accessory is compatible with more than one of our products. The main two ways of attaching our (Pedal) sliders to our cockpits are either directly on profile or on a pedal deck. This manual shows both of these options using a P1X PRO pedal deck (profile) and a GT1 EVO pedal deck (plate). However, compatibility of this accessory is not limited to these cockpits. Please see the product page for more information on compatibility.

### Inserting Slot-Nuts:

You got excited, finished the build, put the caps on, but forgot to install one element. Do not worry. It happens to everyone. In this diagram, you can see how to insert a Slot-Nut directly into the slot from the side. You can also use one of your smaller Hex wrenches to help wiggle the Slot-Nut in place.



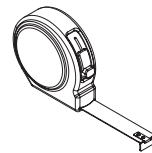
### Tools needed:



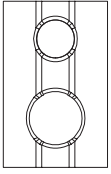
4/5/6MM



8/10/13MM

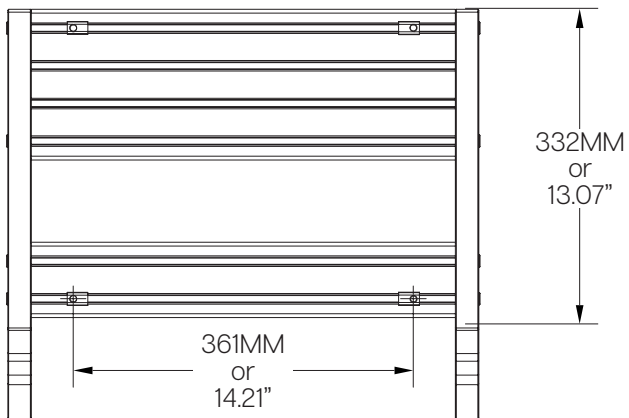
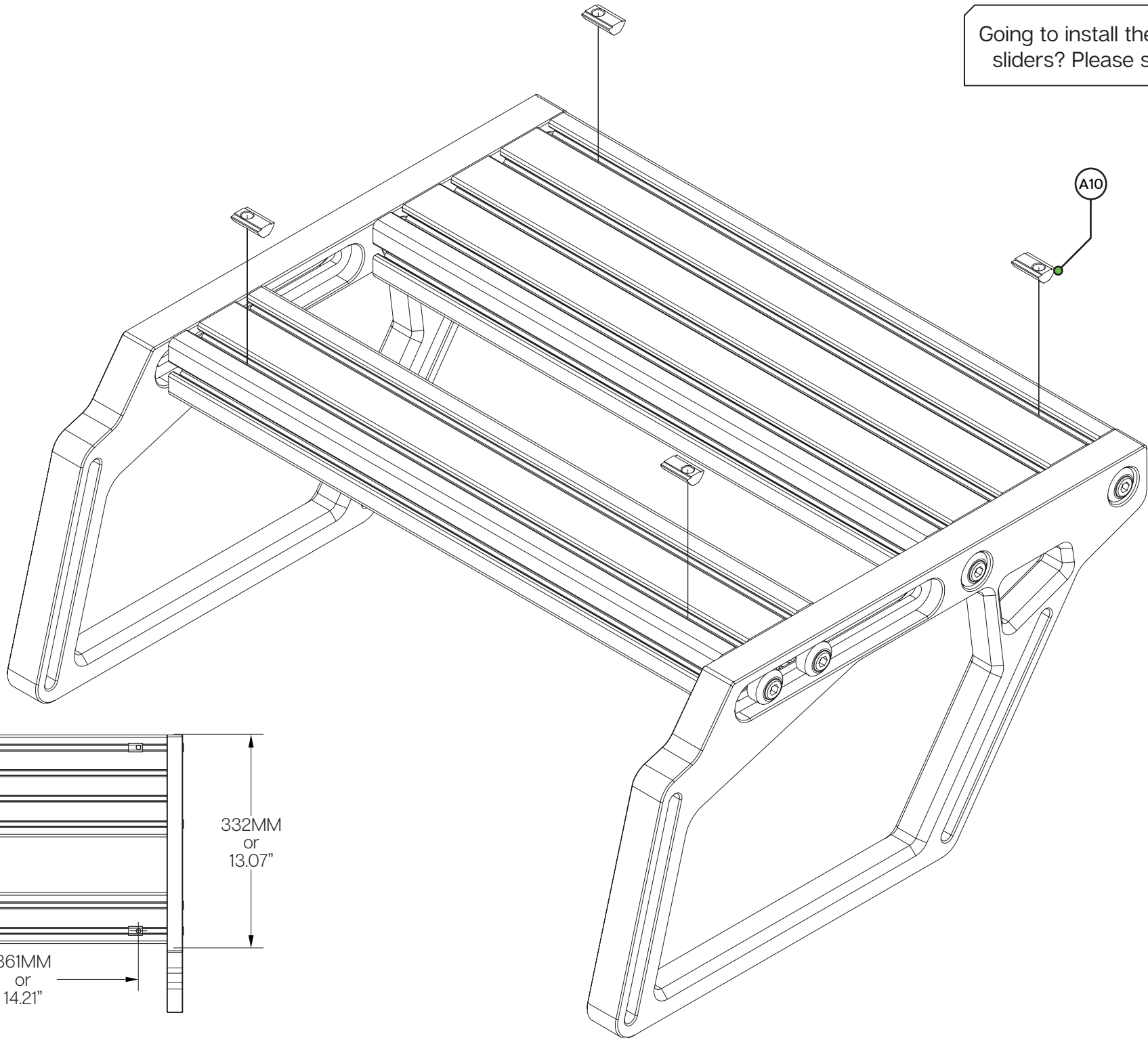


Slot-Nut M8

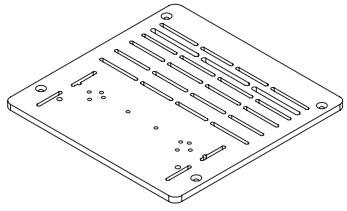


4X

Going to install the optional pedal sliders? Please skip to page 5.



Pedal  
Base Plate



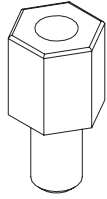
1X

M8 X 20



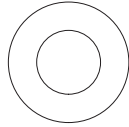
4X

Spacer  
M8 X 15



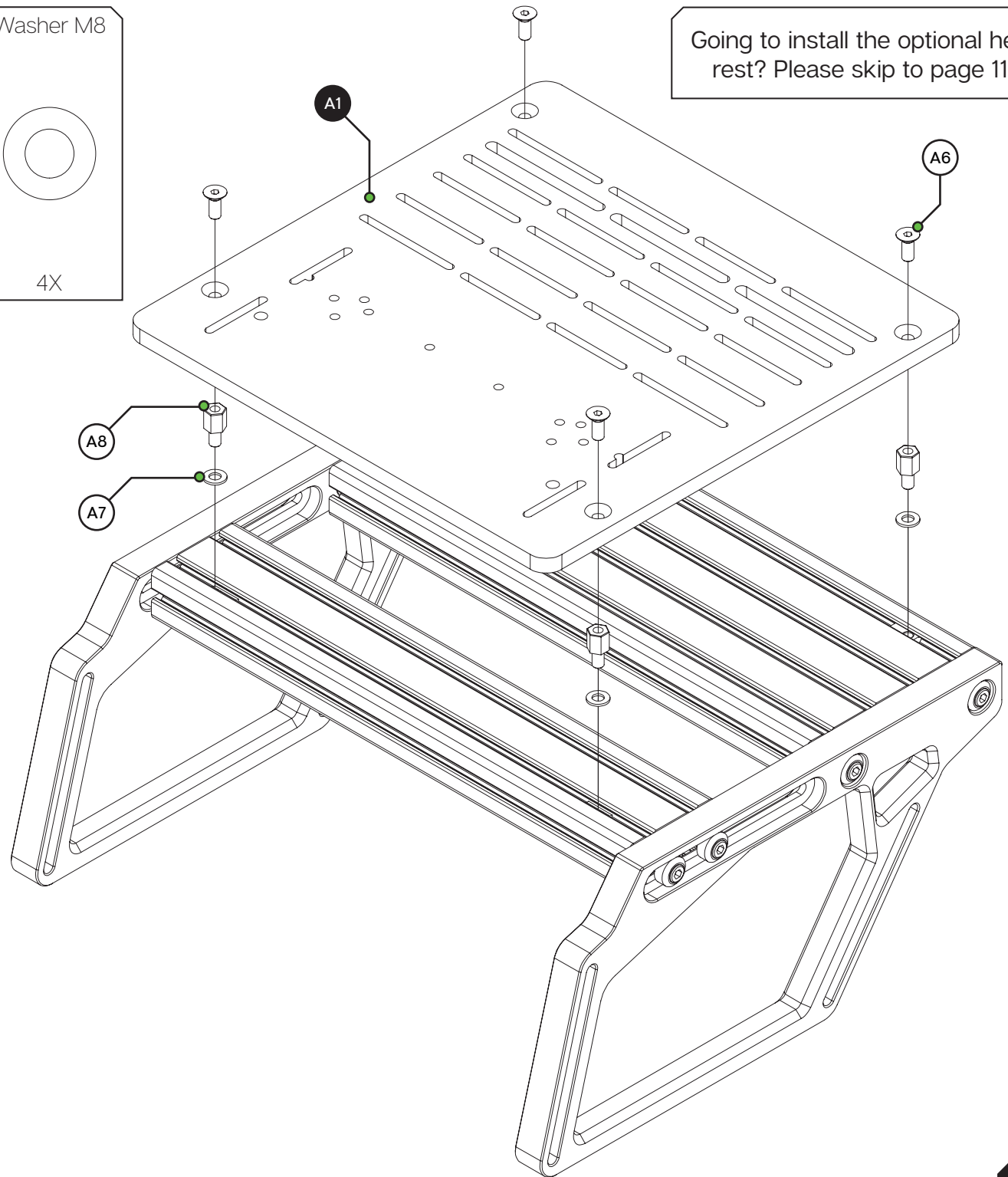
4X

Washer M8

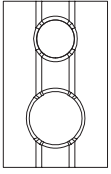


4X

Going to install the optional heel rest? Please skip to page 11.

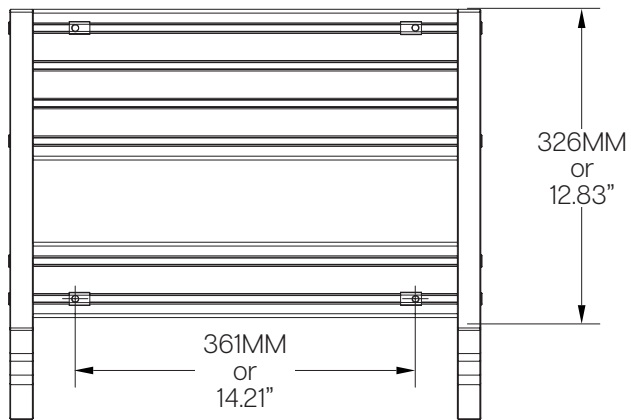
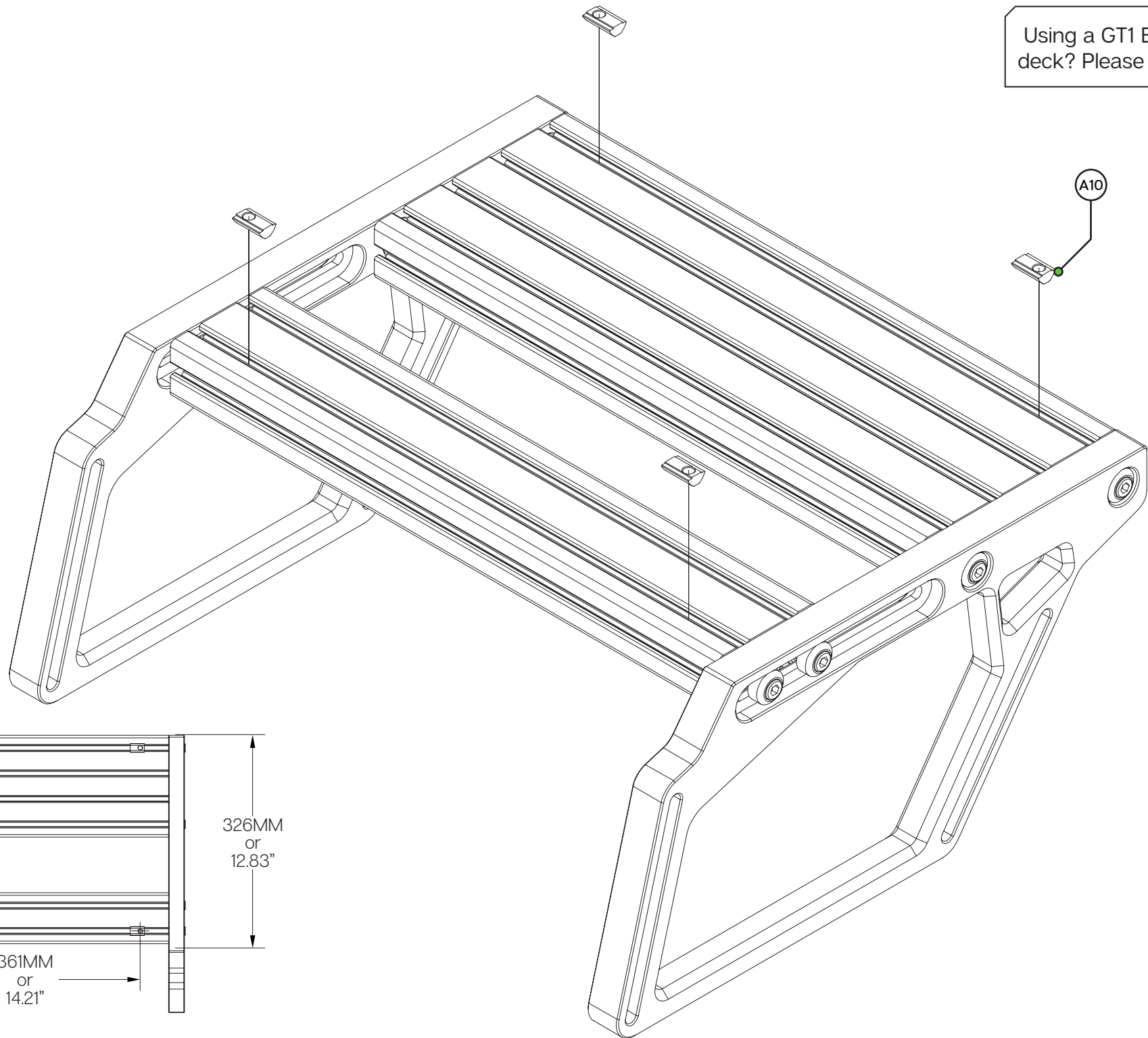


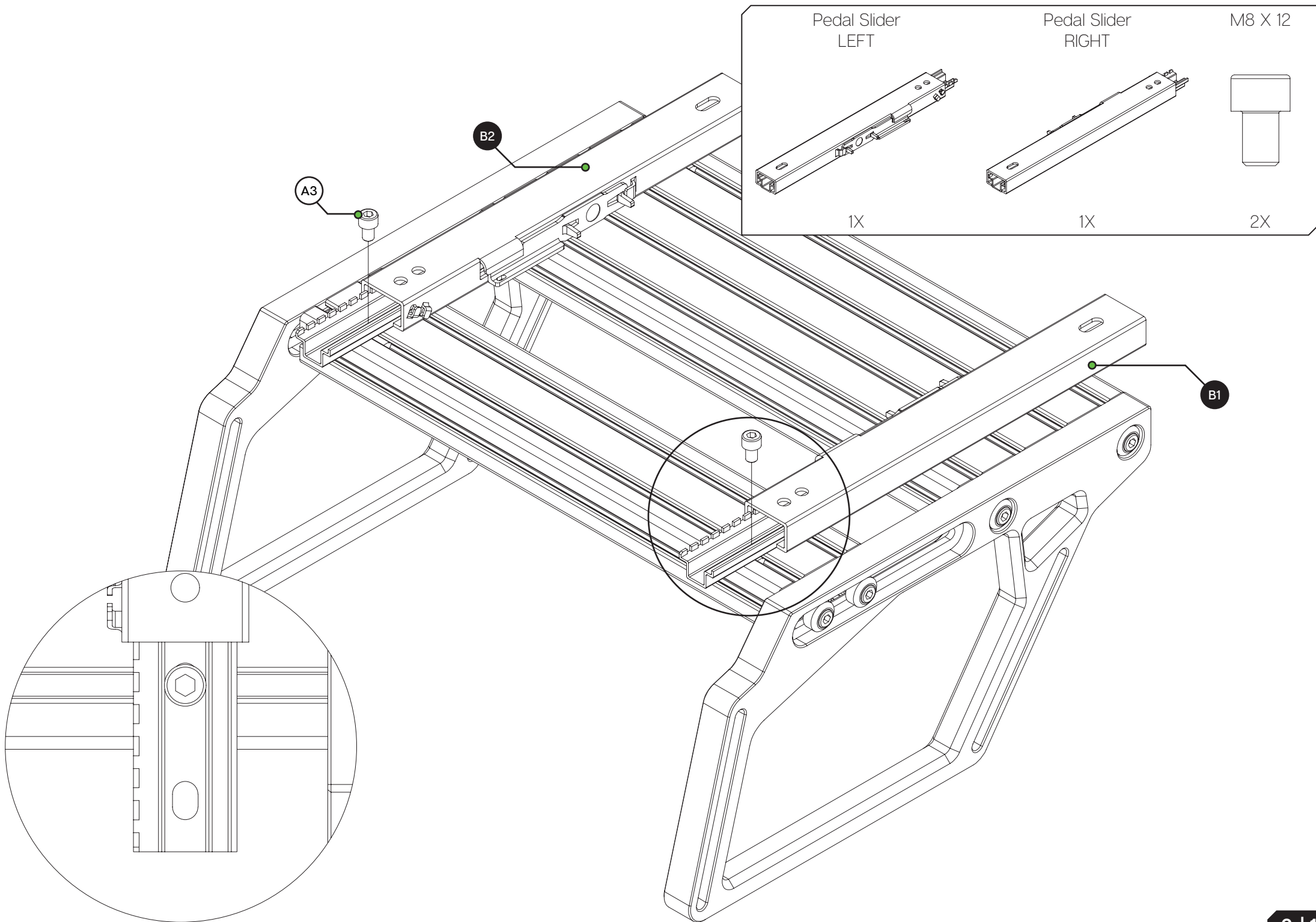
Slot-Nut M8



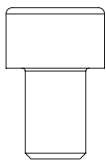
4X

Using a GT1 EVO style pedal deck? Please skip to page 12.





M8 X 12

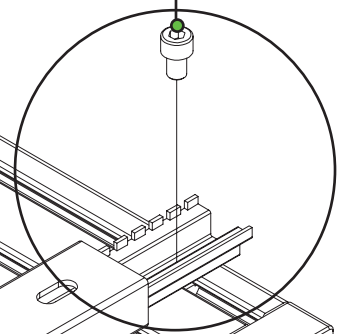


2X

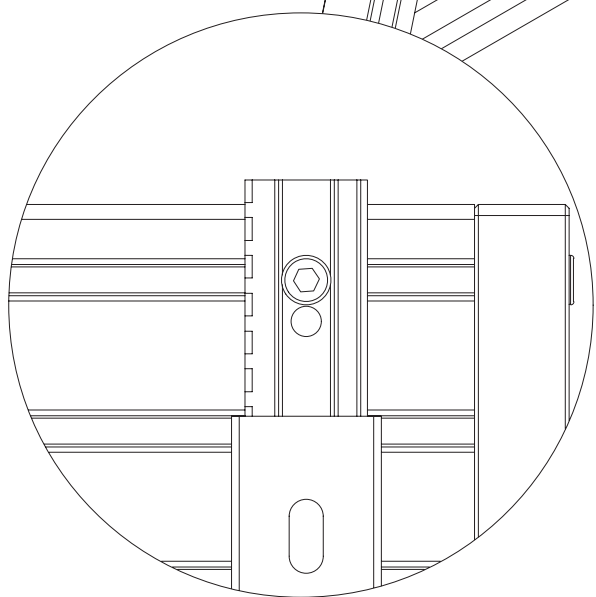
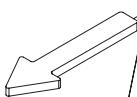
A

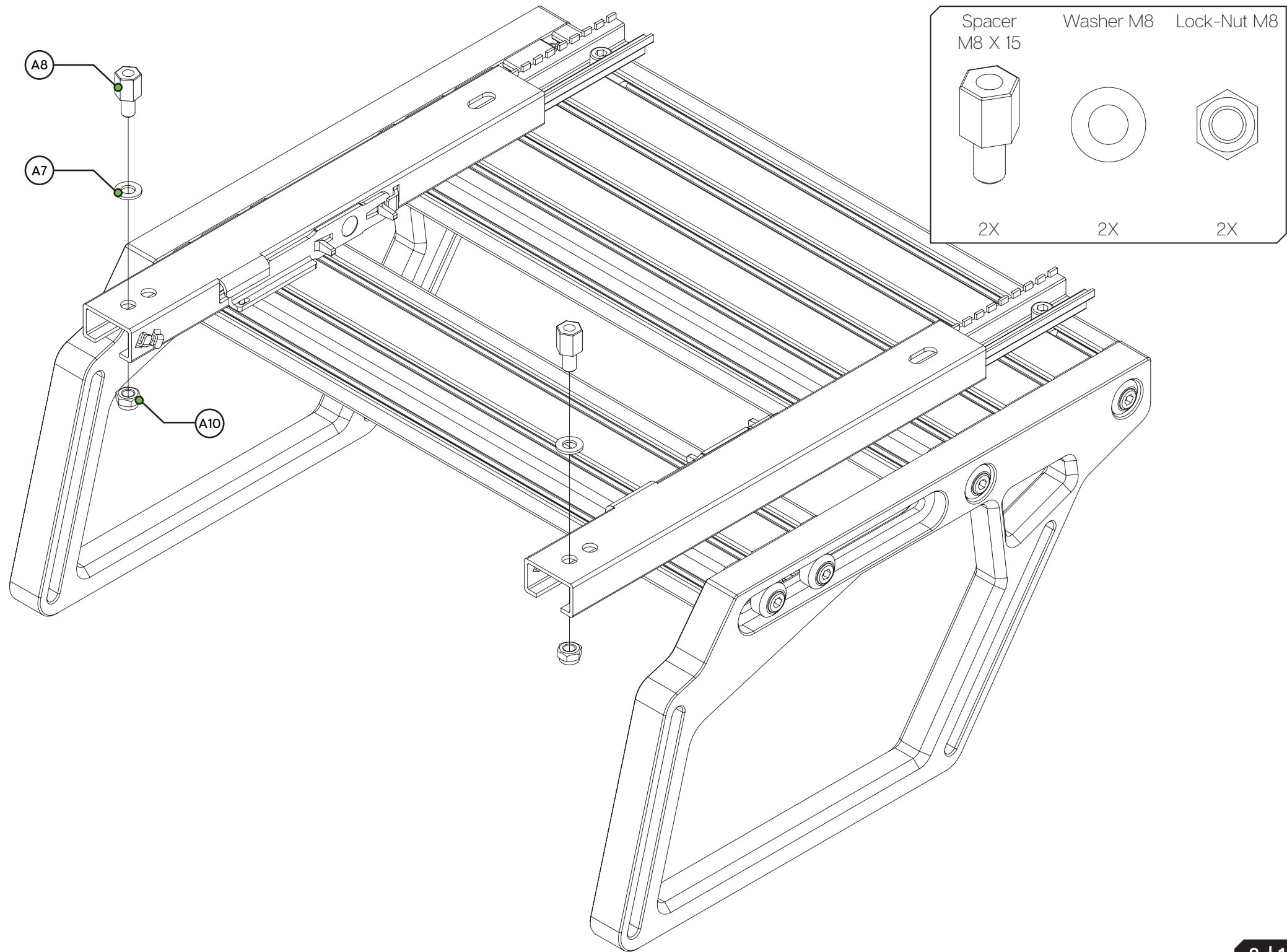


A3

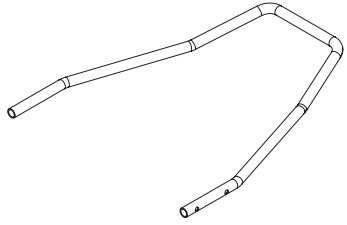


B



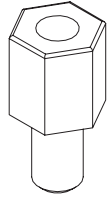


Pedal Slider  
Handle\*



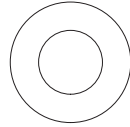
1X

Spacer  
M8 X 15



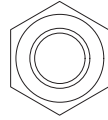
2X

Washer M8

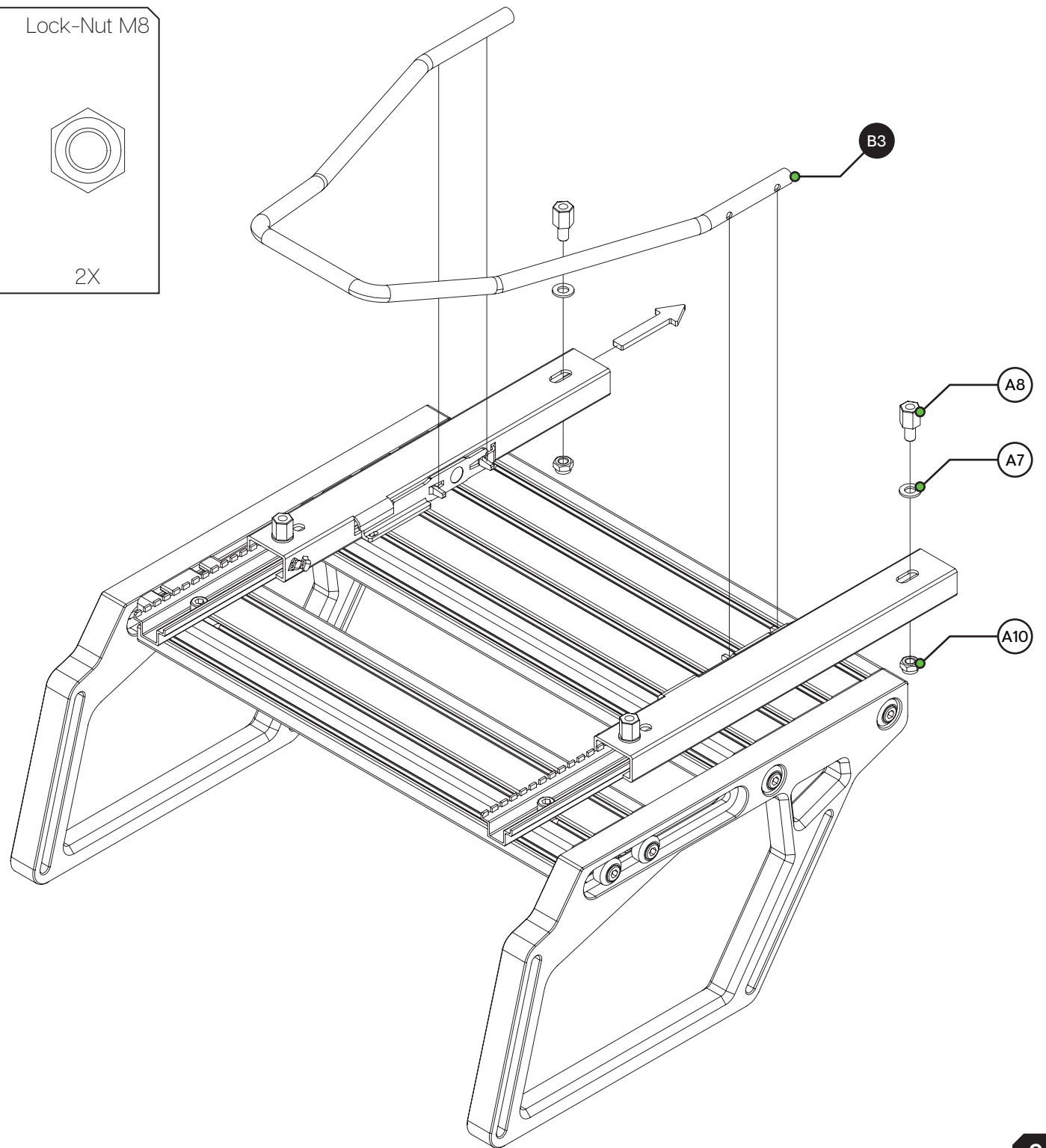


2X

Lock-Nut M8



2X

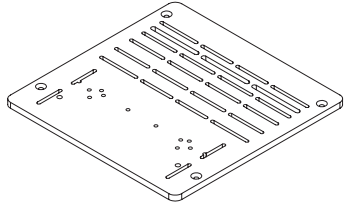


**Pedal Slider Handle\***

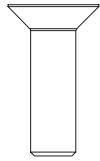
For the handle to fit snugly between the sliders, it possibly needs to be widened a bit by bending it until it Pedals properly. Please review our seat slider installation video for reference.

Pedal  
Base Plate

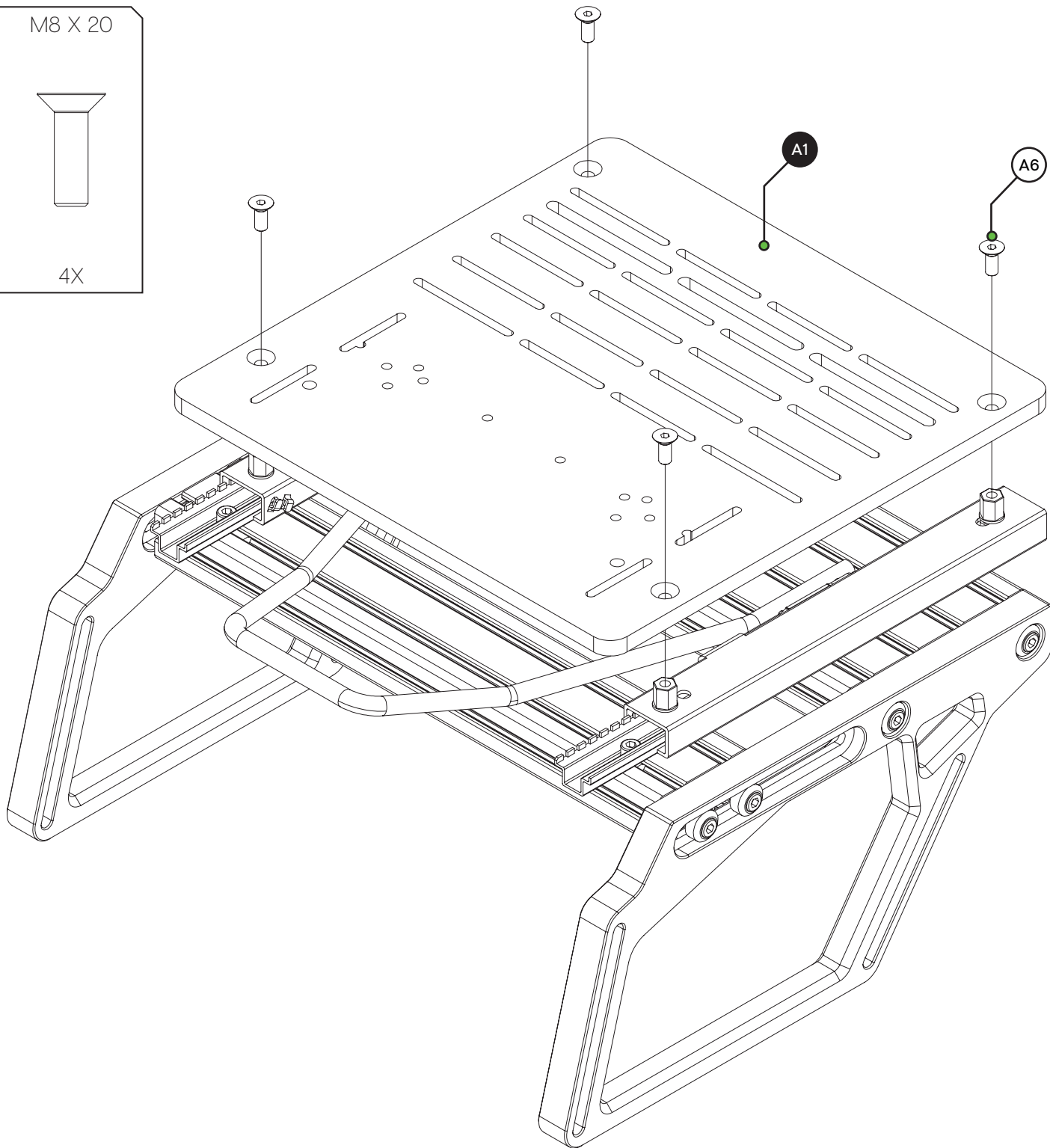
M8 X 20

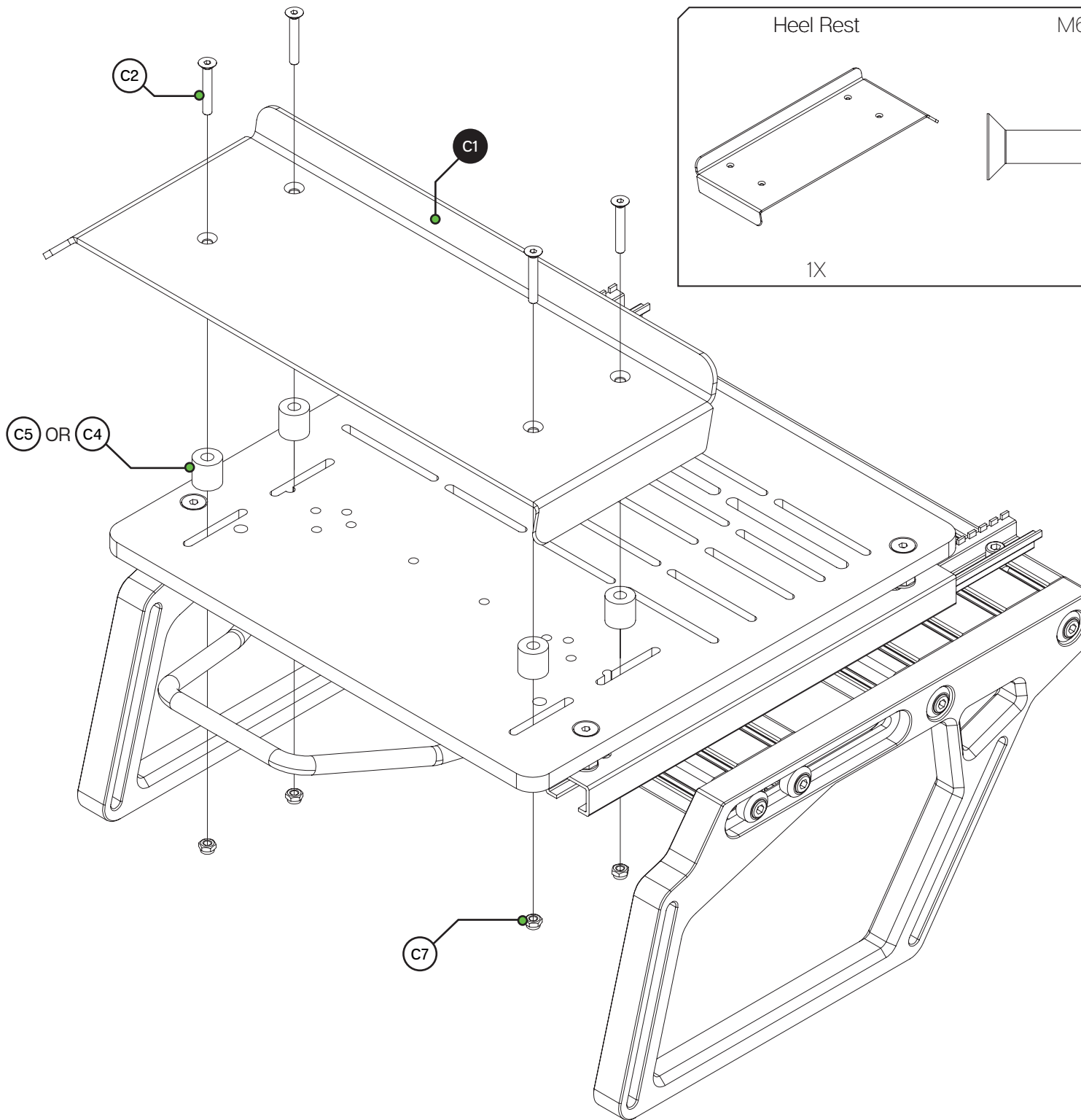


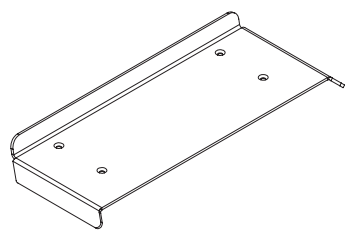
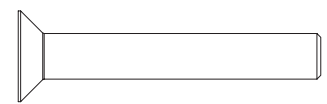
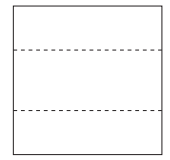

1X



4X





<p>Heel Rest</p>  <p>1X</p>	<p>M6 X 45</p>  <p>4X</p>	<p>Plastic Sleeve C4/C5</p>  <p>4X</p>	<p>Lock-Nut M6</p>  <p>4X</p>
--	--	---	--

Pedal Slider  
LEFT

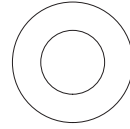
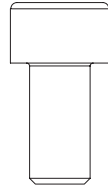
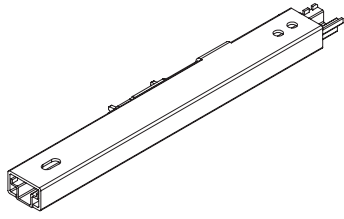
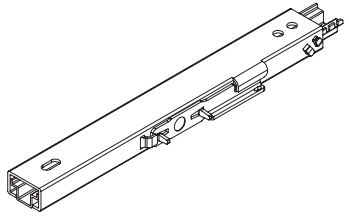
Pedal Slider  
RIGHT

M8 X 16

Washer M8

Lock-Nut M8

For GT1 EVO/GT1 PRO only.



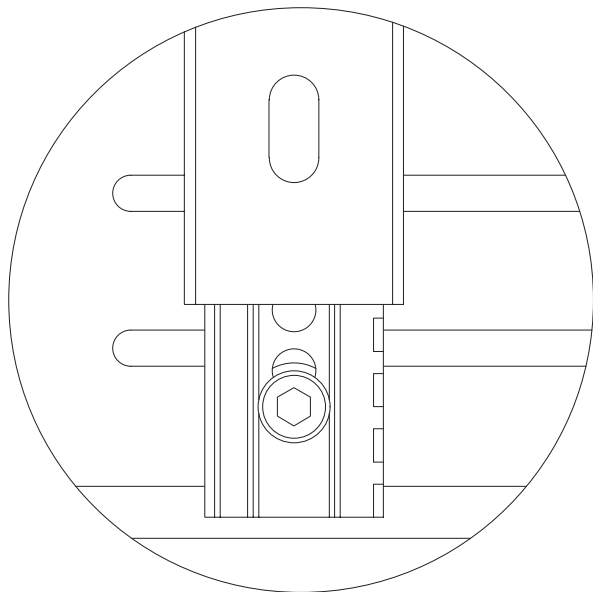
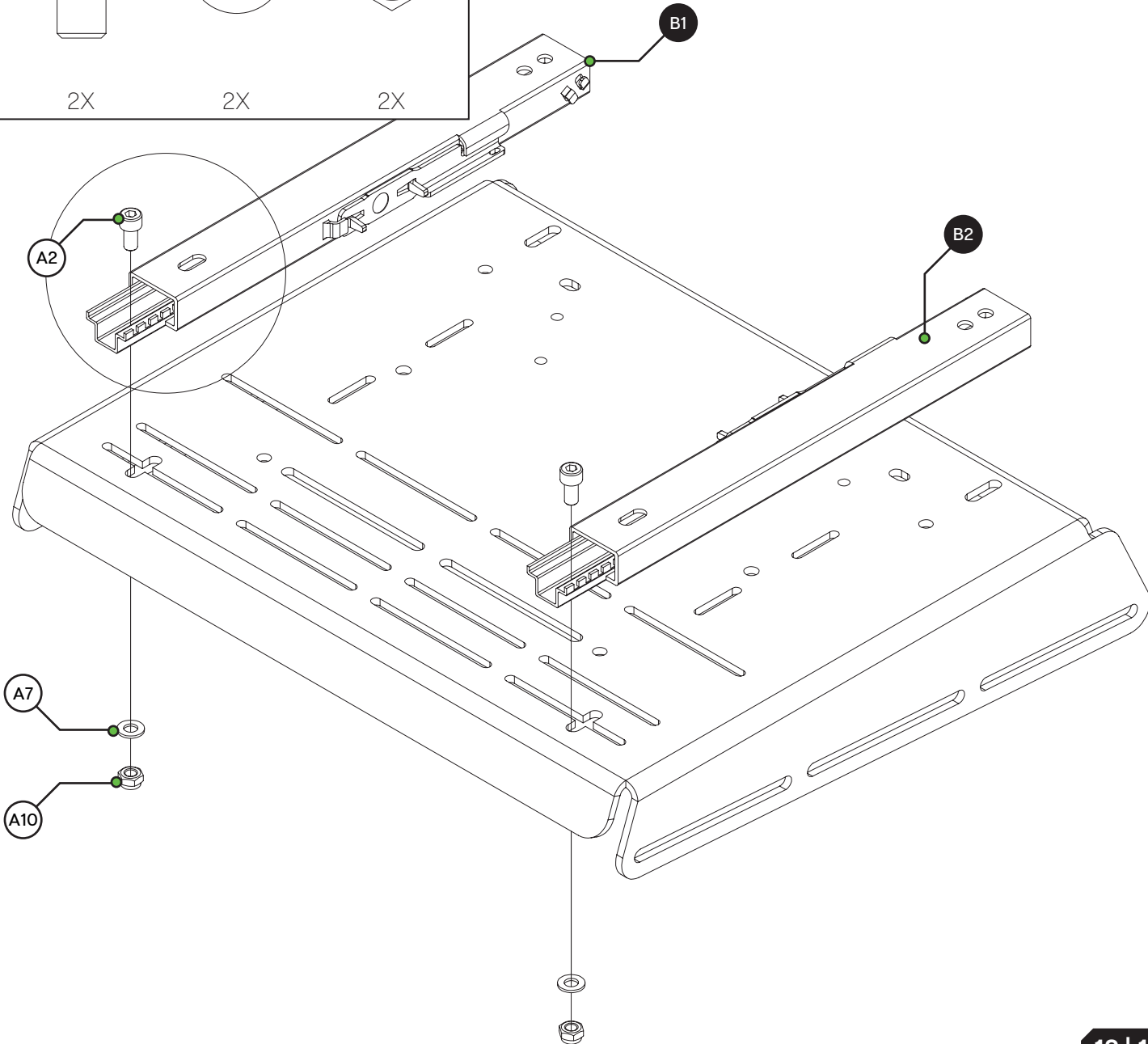
1X

1X

2X

2X

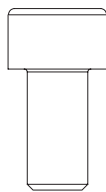
2X



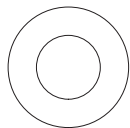
M8 X 16

Washer M8

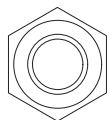
Lock-Nut M8



2X



2X



2X

Please continue on page 8.

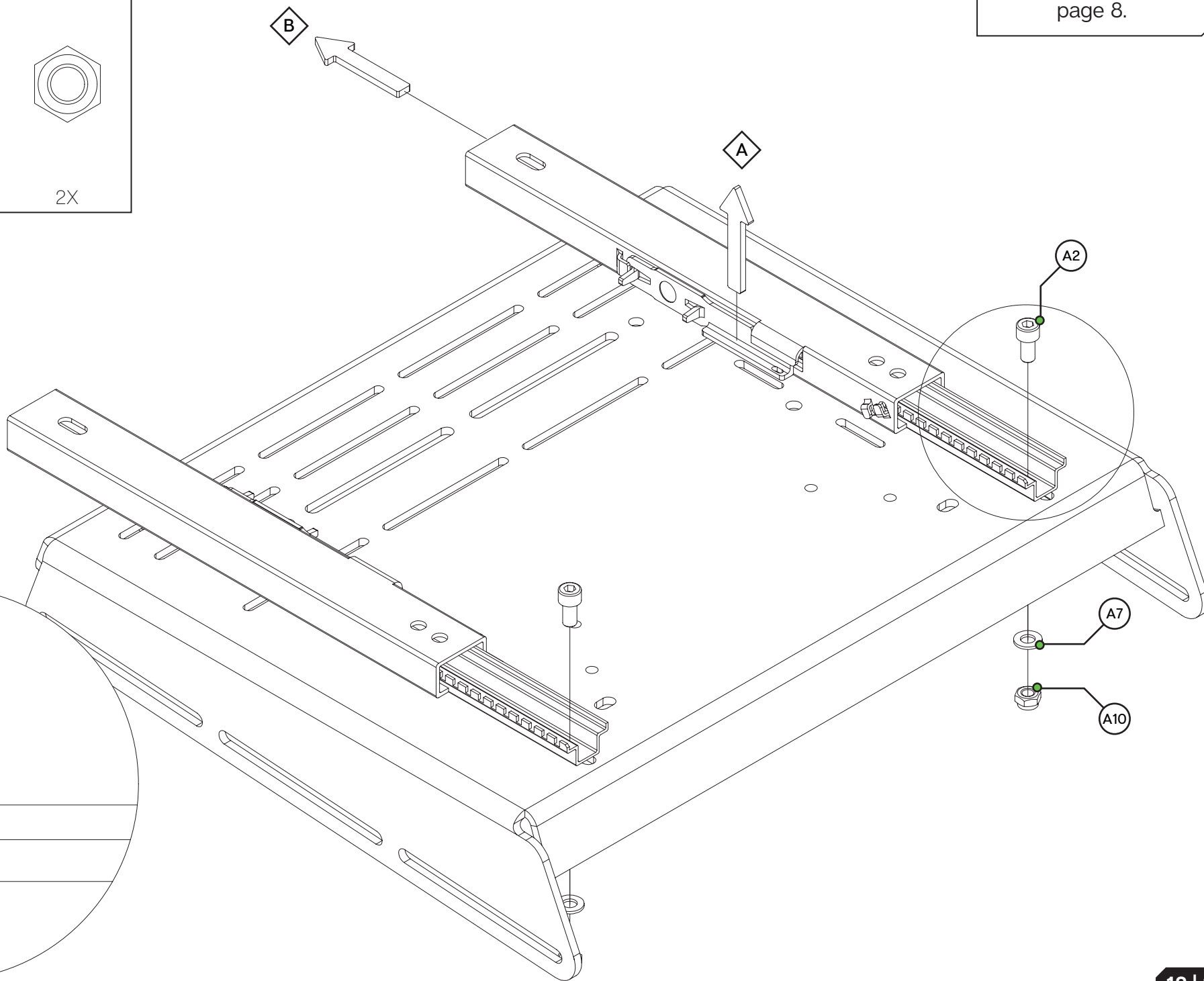
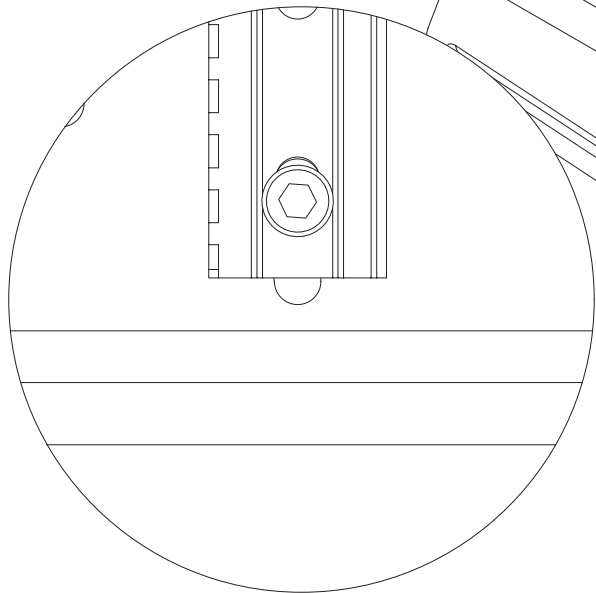
B

A

A2

A7

A10

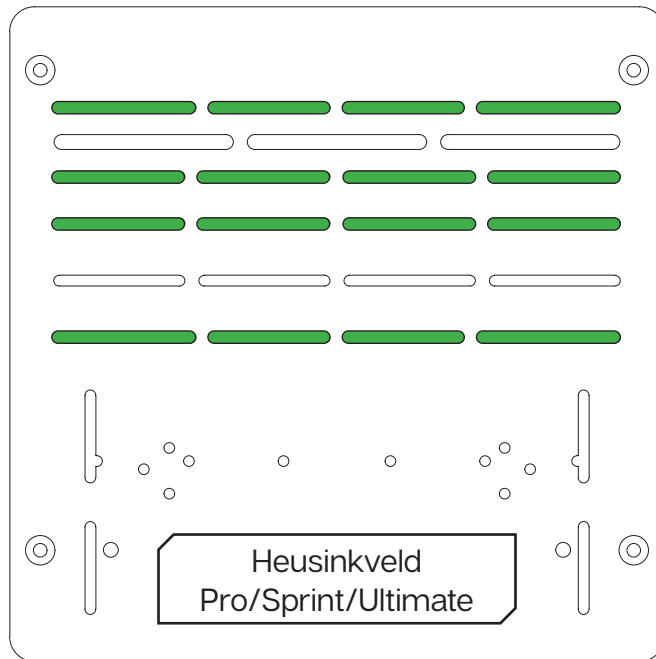
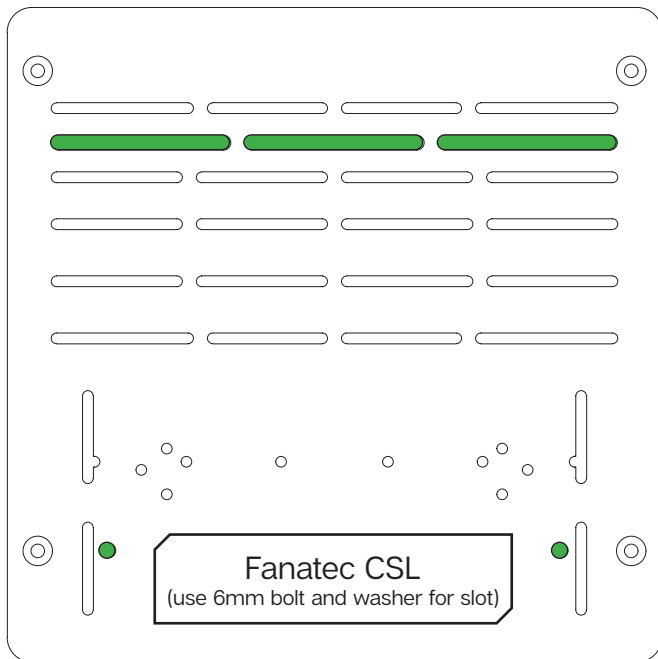
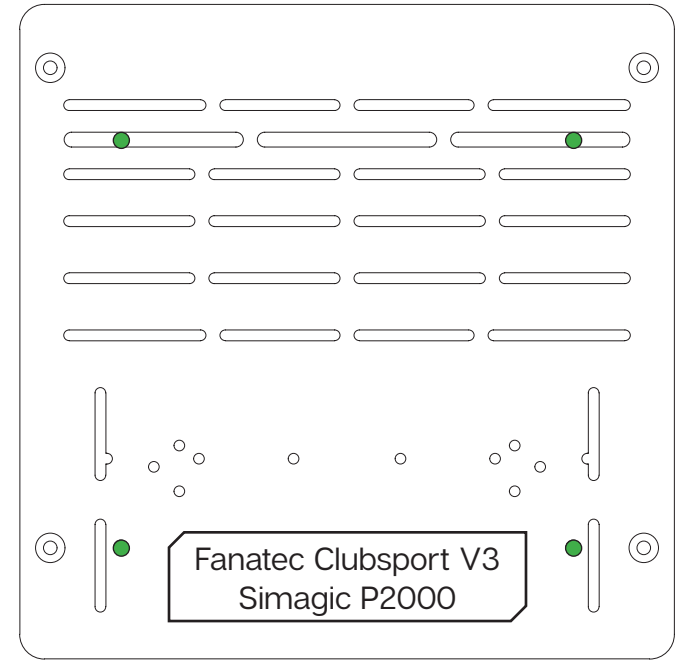
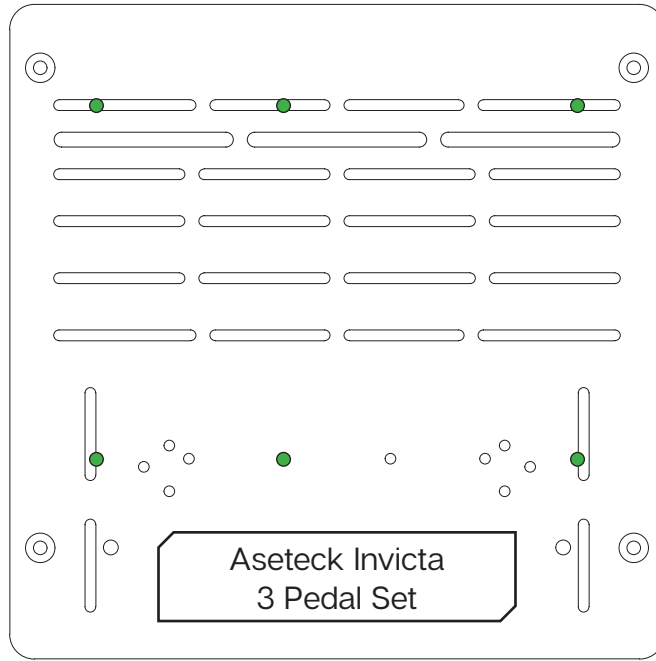
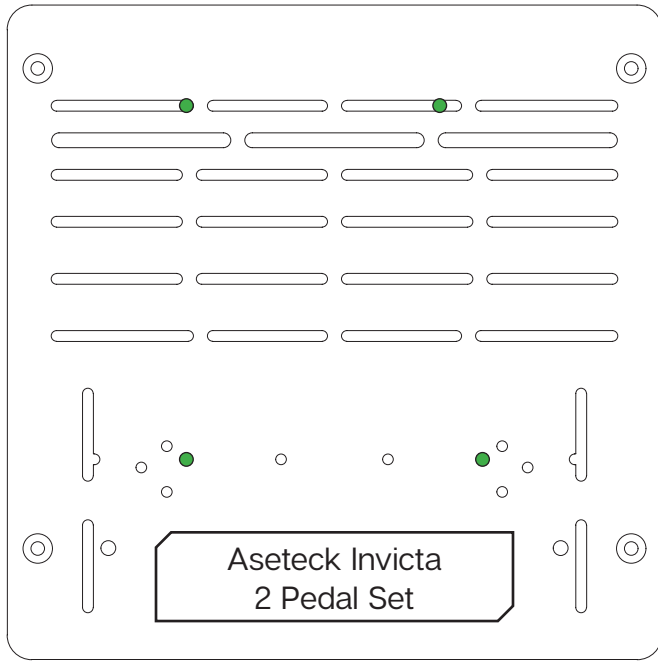


<b>PEDAL BASE PLATE</b>			
#	Part	QTY	Note
A1	Pedal base plate	1	
A2	Bolt M8 X 16 DIN 912	4	
A3	Bolt M8 X 12 DIN 912	4	
A4	Bolt M6 X 20 DIN 912	12	
A5	Bolt M5 X 25 DIN 912	12	
A6	Bolt M8 X 20 DIN 7991	4	Countersunk
A7	Washer M8 DIN 125-A	8	
A8	Spacer male/female M8 X 15	4	
A9	Slot-Nut M8	6	
A10	Lock-Nut M8	10	
A11	Lock-Nut M6	12	
A12	Lock-Nut M5	12	

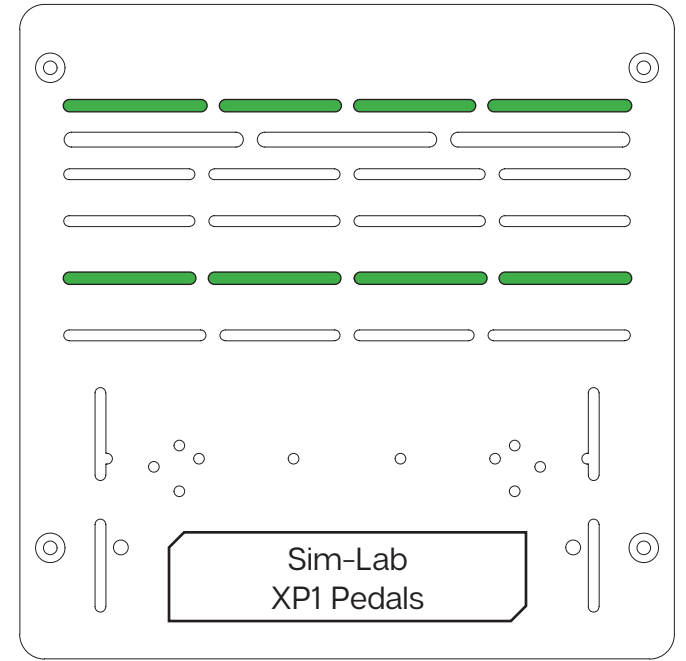
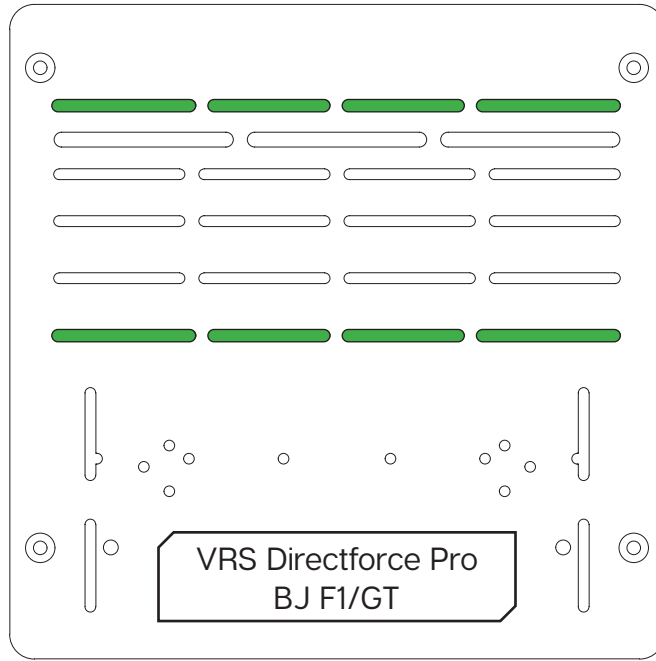
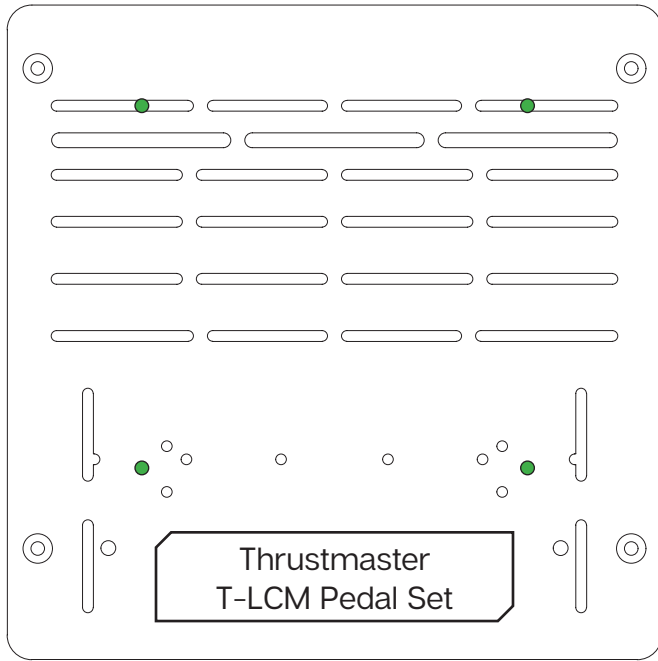
<b>Pedal SLIDER (optional purchase)</b>			
#	Part	QTY	Note
B1	Pedal slider LEFT	1	
B2	Pedal slider RIGHT	1	
B3	Pedal slider handle	1	

<b>HEEL REST (optional purchase)</b>			
#	Part	QTY	Note
C1	Heel rest	1	
C2	Bolt M6 X 45 DIN 7991	4	Countersunk
C3	Bolt M6 X 35 DIN 7991	4	Countersunk
C4	Plastic sleeve M8 X 20	4	
C5	Plastic sleeve M8 X 10	4	
C6	Slot-Nut M6	4	
C7	Lock-Nut M6	4	

*Disclaimer: for some entries on this list, we supply more than required as spare materials. Don't worry if you have some leftovers, this is intentional.*







If you still have some questions regarding assembly of this product or about the manual itself, please refer to our support department. They can be reached at

support@sim-lab.eu

Alternatively, we now have a Discord server where there are quite some experienced Sim-Lab customers hanging out. They might just help you along if you ask them nicely ;)

[www.sim-lab.eu/discord](http://www.sim-lab.eu/discord)

If you feel like printing this manual, please consider the environment before doing so. For the best results, make sure you print at 100% scale without borders.

[Product page on the Sim-Lab website:](#)



[Seat Slider installation on YouTube:](#)

