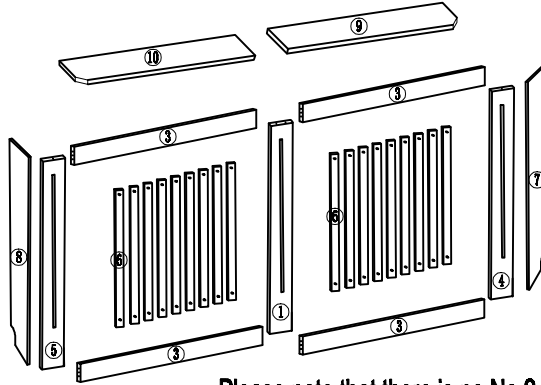
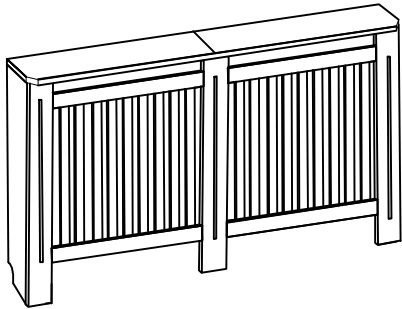
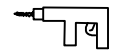


Instruction Manual



Please note that there is no No.2 panel !

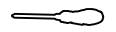
Tools needed



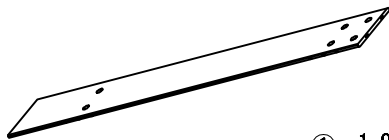
churn drill



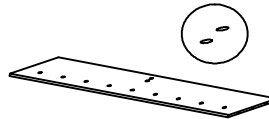
hammer



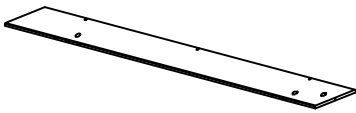
cross screwdriver



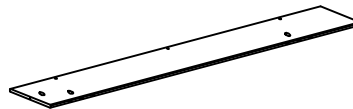
① x1 803*110*12mm



③ x4 581*105*12mm



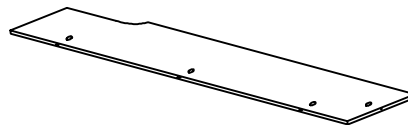
④ x1 803*110*12mm



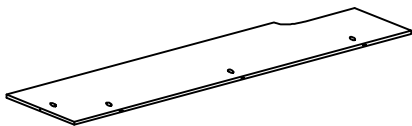
⑤ x1 803*110*12mm



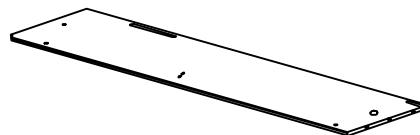
⑥ x18 479*37*5mm



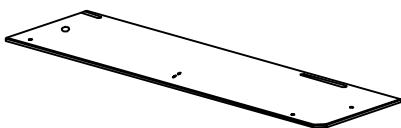
⑦ x1 803*168*12mm



⑧ x1 803*168*12mm



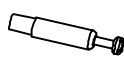
⑨ x1 760*190*12mm



⑩ x1 760*190*12mm



Ax3



Bx20



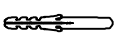
Cx22



Dx18



Ex36



Fx6



Gx6



Hx2



Ix8

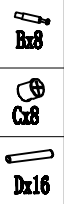
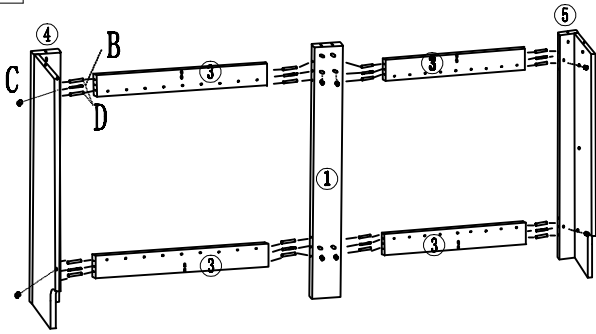
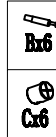
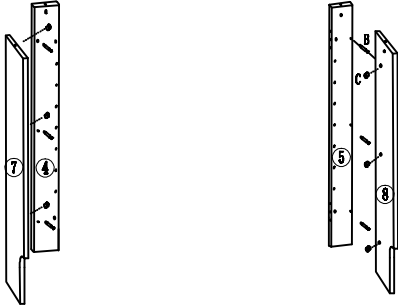


Jx1

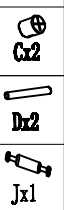
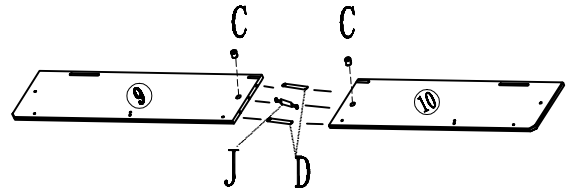
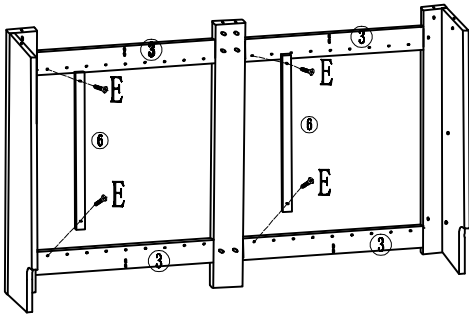


Using a screwdriver, screw in the #B screws securely. Please do not over tighten as it may cause wood to splinter. The small arrow on the #C Cam Locking Screw should be facing the #B screws extending from the panel. Use screwdriver to tighten securely, but avoid over tightening, screws may protrude through the panel.

1 2

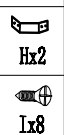
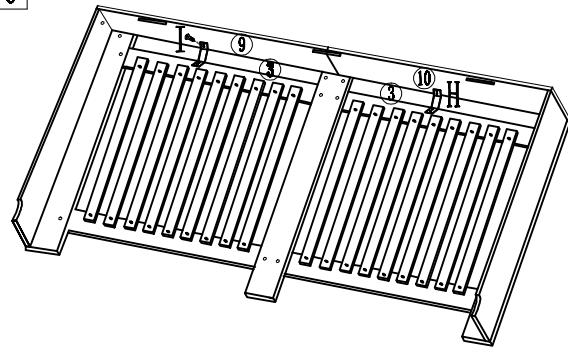
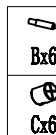
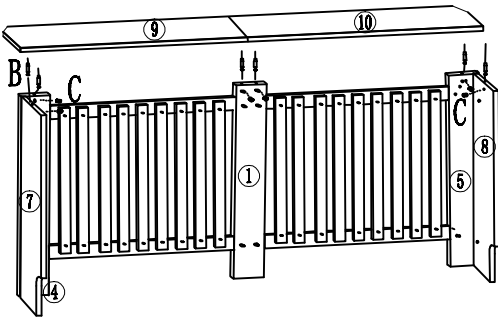


3 4



Keep the panels 9&10 on the same level when moving or the screws may protrude through the panels.

5 6



7 8

