



Powerology

**GaN 170w
Universal Charger**

SKU: PWCUQC042

Table of Contents

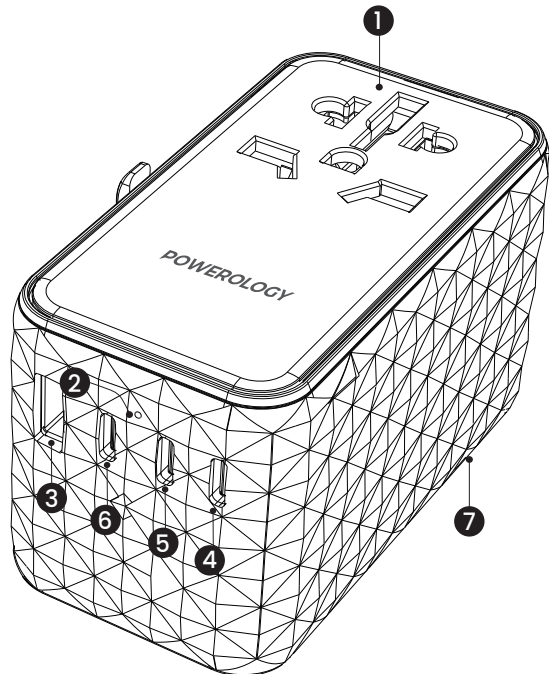
Product Overview	2
Schematic View	2
Specifications	3
Applicable Outlets	3
Compatible Devices	4
Operation Instructions	5
LED Indicator Operation	7
Fuse Replacement	7
Safety Notes	8
Compatible Countries	8
Disposal	11
Warranty	11
Contact Us	11

Product Overview

The Powerology GaN 170W Universal Charger is designed to deliver high-performance charging for various devices. Equipped with four charging ports, it offers simultaneous charging capabilities, making it ideal for laptops and other electronic devices. With advanced GaN technology, it supports fast charging, delivering up to 170W of power, and can charge a laptop from 0% to 60% in just 35 minutes. The charger is globally compatible, supporting over 150 countries, ensuring convenience while traveling. It includes a spare fuse for added reliability and is designed for users who require efficient and rapid charging. Whether for home, office, or travel use, the GaN 170W Universal Charger provides an all-in-one solution for powering your devices quickly and safely.

Schematic View

1. Multi-socket
2. LED Indicator
3. USB-A1 Port
4. USB-C1 Port
5. USB-C2 Port
6. USB-C3 Port
7. US/AU/UK/EU Plugs

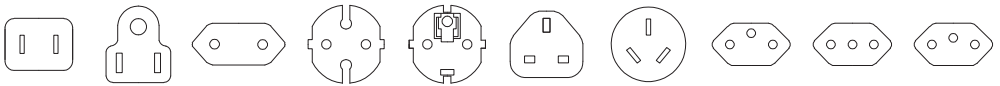


Specifications

Model Number	PWC042
Input	100-250 ,10A Max
Rated Power	2500W
USB-C1/C2 Output	5V/3A, 9V/3A, 12V/3A, 15V/3A, 20V/5A, 28V/5A, 140W
USB-C3 Output	5V/3A, 9V/3A, 12V/2.5A, 15V/2A, 20V/1.5A, 30W
USB-A1 Output	5V/3A, 9V/2A, 12V/1.5A, 18W

Applicable Outlets

1. Adapter can accept Type A, B, C, E, F, G, I, J, L, N plugs.



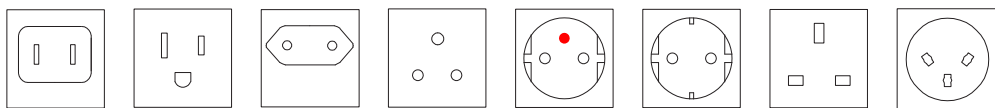
Type A Type B Type C Type E Type F Type G Type I Type J Type L Type N

Please note that the following types are not accepted:

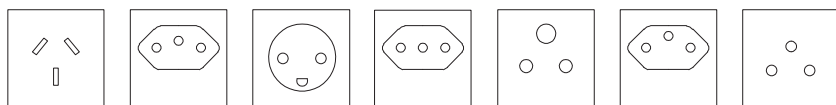


Type D Type H Type K Type M Type O

2. Adapter can plug into Type A, B, C, D, E, F, G, H, I, J, K, L, M, N, and O outlets.



Type A Type B Type C Type D Type E Type F Type G Type H



Type I Type J Type K Type L Type M Type N Type O

Compatible Devices

The product is suitable for use with most electronic devices up to 2500W at 250V and 1000W at 100V. It can be used with a variety of appliances such as laptops, small travel hair dryers, travel irons, electric fans, table lamps, and electric razors.

Please ensure to check the safety data sheet or data plate on the device for relevant information before plugging it in.



Laptops



Small travel hairdryers



Travel irons



Electric fan



Table lamp



Electric razors

USB Devices

The product is also compatible with USB devices such as cameras, smartphones, tablets, portable game consoles, Bluetooth speakers, and power banks.



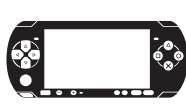
Cameras



Smartphones



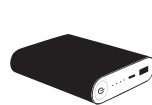
Tablets



Portable Game Console



Headsets



Power Banks

Operation Instructions

A. Features

The adapter is equipped with built-in multi-nation plugs, allowing it to be used with outlets in various countries. The safety function switch ensures that only one plug is energized at a time.

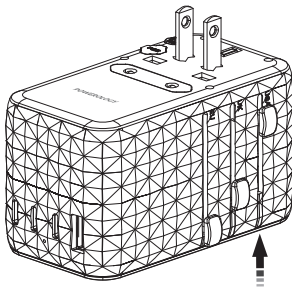
B. Instructions

1. Ensure Proper Button Reset:

Make sure the button is reset when it is pushed out and retracted to the bottom. If the button does not reset, this indicates that the plug has not been properly engaged, which may affect its normal use.

2. Single Plug Usage:

Only one plug type can be used at a time. The knob selection locks the other plug-pins automatically when a plug type is chosen.



Use USA Plug

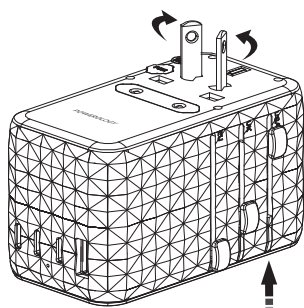
C. USA Plug:

1. Slightly press the button and slide the knob downward to completely extend the USA plug as shown in the image. Ensure that the contact blades are aligned in the parallel position.

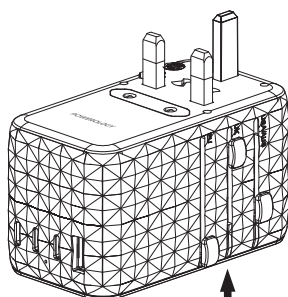
2. Press and hold the "USA" button, pull the plug up completely, and then release the button. This will lock the plug in place and reset the mechanism.

D. AUS Plug:

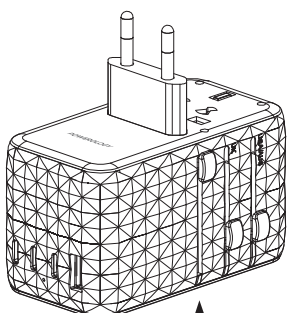
1. Slightly press the button and slide it down for the AUS plug completely, as shown. Ensure the contact blades are turned to the parallel position.



Use AUS Plug



Use UK Plug



Use EU Plug

2. To recover the plug: press and hold the "AUS" button to release it, continue pulling up until the plug is fully extended. Release the button, and it will reset and lock the plug.

AUS Plug:

1. Slightly press the button and slide it down for the AUS plug completely, as shown. Ensure the contact blades are turned to the parallel position.

2. To recover the plug: press and hold the "AUS" button to release it, continue pulling up until the plug is fully extended. Release the button, and it will reset and lock the plug.

E. UK Plug:

1. Slightly press the button and slide it down for the UK plug completely, as shown. Pull out the insulated ground pin from the housing.

2. To recover the plug: press and hold the "UK" button to release it, continue pulling up until the plug is fully extended. Release the button, and it will reset and lock the plug.

F. EU Plug:

1. Slightly press the button and slide it down for the EU plug completely, as shown. Ensure the contact blades are turned to the parallel position.

2. To recover the plug: press and hold the "EU" button to release it, continue pulling up until the plug is fully extended. Release the button, and it will reset and lock the plug.

LED Indicator Operation

A. LED Solid: When the LED indicator is solid, it indicates that the charger is operating normally. This means the device is functioning as expected, providing power to the connected devices without any issues.

B. LED Does Not Light: If the LED indicator does not light up, it suggests that there may be an issue with the charger. Follow these troubleshooting steps:

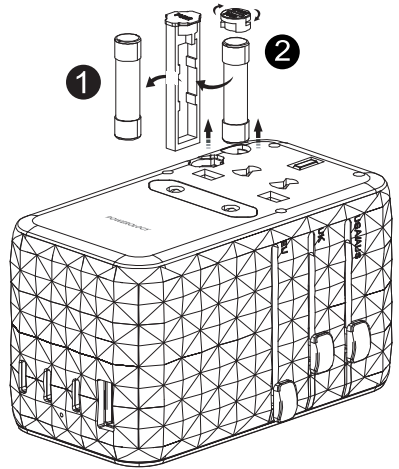
- 1. Possible Overload:** The device may be overloaded. To resolve this, unplug one connected device and check the LED status indicator again.
- 2. Fuse Burn-Out:** The fuse may have blown. In this case, please check and replace the fuse if necessary.

Fuse Replacement

- 1. Remove the old fuse (1).**
- 2. Insert a new fuse (2) into the original position of the old fuse (1).** The adapter will resume operation once the fuse is replaced.
- 3. Alternatively, you can use a new fuse with the following specifications:**
Standard: 250Vac 10A, 6.3×25.4mm

Notes:

- 1. Before replacing the fuse, ensure that all devices are disconnected from the adapter.**
- 2. Confirm that no water is flowing out from the access equipment, considering the power rating.**
- 3. Ensure the product is not wet and that no water is present in the adapter before proceeding**



Safety Notes

1. Always disconnect the adapter from the outlet when not in use.
2. Before use, please read these instructions carefully. This product does not convert voltage (AC-AC). To avoid potential damage to your device or other safety hazards, ensure that the power outlet has the proper voltage to operate your device before using this adapter.
3. Indoor use only.
Misuse may result in electrical shock.
The length of the USB cable should not exceed 3 meters.
4. The travel adapter is for temporary use only and should not be used permanently.
5. Insertion of an adapter into another adapter is prohibited and must only be done according to the manufacturer's guidelines.
6. No grounding: This product is intended for use with unearthed or double-insulated appliances only.

Compatible Countries

EU Plug

- | | | |
|----------------------|--------------------------|-----------------|
| (A) Albania | Bolivia | Channel Islands |
| Algeria | Bosnia | Chile |
| Angola | Brazil | Comoros |
| Argentina | Bulgaria | Congo |
| Austria | Burkina Faso | Croatia |
| Azores | Burundi | Côte d'Ivoire |
| (B) Balearic Islands | (C) Cameroon | Cyprus |
| Bangladesh | Canary Islands | (D) Denmark |
| Belgium | Cape Verde | Djibouti |
| | Central African Republic | (E) Egypt |

El Salvador	Mali	Turkey
Equatorial Guinea	Martinique	(U) Uruguay
Eritrea, Faeroe Islands	Mauritania	(V) Vietnam
(F) Finland	Mauritius	(Z) Zambia
France	Monaco	AUS Plug
(G) Gabon	Morocco	(A) American Samoa
Germany	Mozambique	Argentina
Gibraltar	Myanmar	Australia
Greece	(N) Nepal	(C) China
Greenland	Netherlands	(D) El Salvador
Guadeloupe	Niger	(E) Fiji
Guinea	Norway	(G) Guatemala
Guinea-Bissau	(O) Oman	(K) Kiribati
(H) Hungary	(P) Pakistan	(N) Nauru
(I) Iceland	Paraguay	New Zealand
India	Peru	(P) Panama
Indonesia	Poland	Papua New Guinea
Iran	Portugal	(S) St. Vincent
Iraq	(R) Romania	(T) Tajikistan
Israel	Russia	Tonga
Italy	Rwanda	(U) Uruguay
(K) Kazakhstan	(S) Senegal	USA Plug
Korea	Somalia	(A) American Samoa
Kuwait	Spain	Anguilla
(L) Laos	Sudan	Antilles
Lebanon	Suriname	Aruba
Lithuania	Sweden	(B) Bahamas
Luxembourg	Syria	Bangladesh
(M) Macedonia	(T) Thailand	Barbados
Madagascar	Togo	
Madeira	Tunisia	

Bermuda	Philippines	(I) Iraq
Bolivia	Puerto Rico	Ireland
Brazil	(S) St. Vincent	Isle of Man
(C) Cambodia	Saudi Arabia	(J) Jordan
Canada	(T) Tahiti	(K) Kuwait
Cayman Islands	Taiwan	(L) Lebanon
China	Taiwan	(M) Macau
Colombia	(U) United States	Malawi
Costa Rica	(V) Venezuela	Malaysia
Cuba	Vietnam	Maldives
(E) Ecuador	Virgin Islands	Malta
El Salvador	(US & British)	Mauritius
(G) Guatemala	(Y) Yemen	Myanmar
Guyana		(N) Nigeria
(H) Haiti	UK Plug	(Q) Qatar
Honduras	(B) Bahrain	(S) St. Lucia
(J) Japan	Bangladesh	St. Vincent
Jamaica	Belize	Saudi Arabia
(L) Laos	Botswana	Seychelles
Lebanon	Brunei	Sierra Leone
Liberia	(C) Cameroon	Singapore
(M) Maldives	Channel Islands	(T) Tanzania
Mexico	Cyprus	(U) Uganda
Micronesia	(D) Dominica	United Arab Emirates
Montserrat	(E) El Salvador	United Kingdom
(N) Netherlands	(G) Gambia	(V) Vietnam
Nicaragua	Ghana	(Y) Yemen
Niger	Gibraltar	(Z) Zambia
(O) Okinawa	Grenada	Zimbabwe
(P) Panama	Guatemala	
Peru	Guyana	

Disposal

This product must not be disposed of as unsorted household waste. It is important to separate such waste for proper treatment and recycling, in compliance with local waste management regulations.

Warranty

Products that you buy directly from our **Powerology** website or shop come with a 24-month warranty.

The 24-month warranty applies to products purchased directly from our **Powerology** website or store. If **Powerology** products are bought from any of our verified retailers, then the product is eligible for only a 12-month warranty. To extend your product's warranty, visit our website <https://www.powerology.me/warranty> and fill in your details in the provided form along with an uploaded picture of the product to process your request. Once approved, you will receive a confirmation email of the extended product warranty. Upload the required information within 48 hours of purchase to be eligible for a 24-month warranty period.

For more info, please check:

<https://www.powerology.me/warranty>

Contact Us

If you have any questions about this Privacy Policy, please contact us at: hey@powerology.me

Website: <https://www.powerology.me/>

Instagram: [powerology_official](#)

Facebook: [powerology.ME](#)