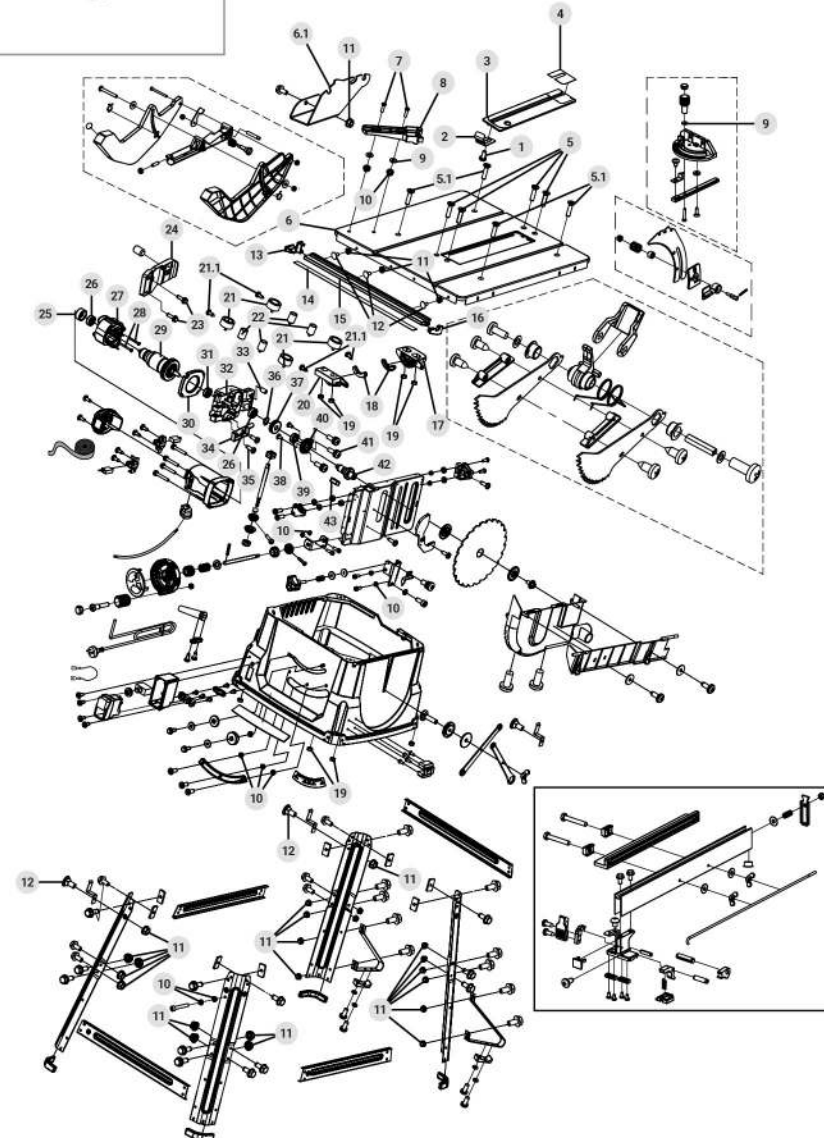


| No. | Código | Clave | Descripción |
|------|--------|----------------|----------------------------------|
| 1 | 962452 | R1-SME-10BP | Tornillo Phillips (M4X5) |
| 2 | 962453 | R2-SME-10BP | Placa de resorte |
| 3 | 962454 | R3-SME-10BP | Inserto de mesa |
| 4 | 962455 | R4-SME-10BP | Placa de desgaste |
| 5 | 962456 | R5-SME-10BP | Tornillo Allen (M6X25) |
| 5.1 | 962457 | R5.1-SME-10BP | Tornillo Allen (M6X20) |
| 6 | 962458 | R6-SME-10BP | Mesa |
| 6.1 | 962459 | R6.1-SME-10BP | Soporte |
| 7 | 962460 | R7-SME-10BP | Tornillo Phillips (M5x18) |
| 8 | 962461 | R8-SME-10BP | Soporte de mesa |
| 9 | 962462 | R9-SME-10BP | Arandela plana (Ø5.5xØ17x1) |
| 10 | 962463 | R10-SME-10BP | Tuerca M5 |
| 11 | 962464 | R11-SME-10BP | Tuerca M6 |
| 12 | 962465 | R12-SME-10BP | Tornillo Phillips (M6x13) |
| 13 | 962466 | R13-SME-10BP | Tapa del extremo izquierdo |
| 14 | 962467 | R14-SME-10BP | Escala |
| 15 | 962468 | R15-SME-10BP | Guía de corte |
| 16 | 962469 | R16-SME-10BP | Tapa del extremo derecho |
| 17 | 962470 | R17-SME-10BP | Soporte trasero del motor |
| 18 | 962471 | R18-SME-10BP | Casquillo de montaje |
| 19 | 962472 | R19-SME-10BP | Tuerca M6 |
| 20 | 962473 | R20-SME-10BP | Soporte delantero del motor |
| 21 | 962474 | R21-SME-10BP | Patas de plástico |
| 21.1 | 962475 | R21.1-SME-10BP | Tornillo Phillips (St4x16) |
| 22 | 962476 | R22-SME-10BP | Bloque de talón pequeño |
| 23 | 962477 | R23-SME-10BP | Tornillo hexagonal (M6X25) |
| 24 | 962478 | R24-SME-10BP | Soporte para cuchilla separadora |
| 25 | 962479 | R25-SME-10BP | Protector de balero |
| 26 | 962480 | R26-SME-10BP | Balero de bolas 608 |
| 27 | 962481 | R27-SME-10BP | Campo |
| 28 | 962482 | R28-SME-10BP | Tornillo Phillips (St5x55) |
| 29 | 962483 | R29-SME-10BP | Armadura |
| 30 | 962484 | R30-SME-10BP | Deflector |
| 31 | 962485 | R31-SME-10BP | Balero de bolas 6201 |
| 32 | 962486 | R32-SME-10BP | Caja de engranajes |
| 33 | 962487 | R33-SME-10BP | Birlo (M6X10) |
| 34 | 962488 | R34-SME-10BP | Protector de hoja inferior 1 |
| 35 | 962489 | R35-SME-10BP | Tornillo Phillips (M4X12) |
| 36 | 962490 | R36-SME-10BP | Seguro C (Ø13XØ16X1) |
| 37 | 962491 | R37-SME-10BP | Engrane |
| 38 | 962492 | R38-SME-10BP | Tornillo Phillips (M5X10) |
| 39 | 962493 | R39-SME-10BP | Balero de bolas 6002 |
| 40 | 962494 | R40-SME-10BP | Tapa de la caja de engranes |
| 41 | 962495 | R41-SME-10BP | Tornillo Phillips (M4X12) |
| 42 | 962496 | R42-SME-10BP | Flecha |
| 43 | 962497 | R43-SME-10BP | Cuña (4X4X12) |



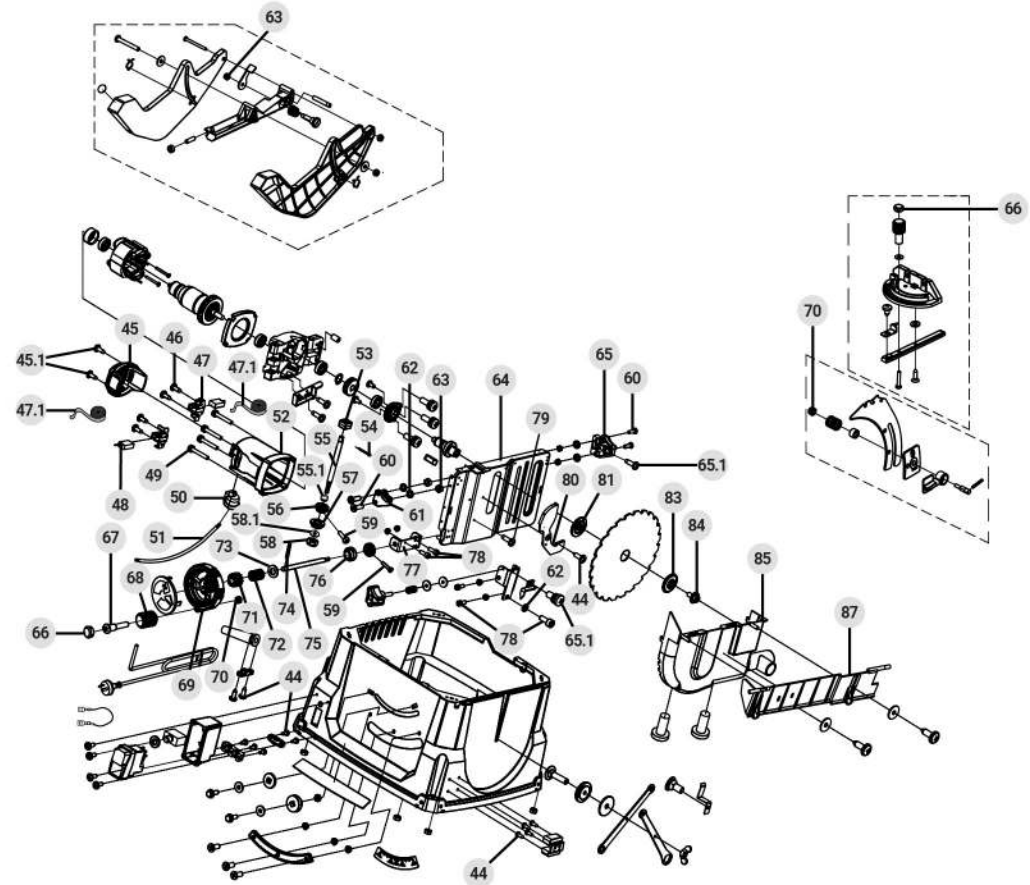
Todos los códigos los puedes adquirir en los Centros de Servicio Autorizado TRUPER o llamando al 800-018-7873



| No. | Código | Clave | Descripción |
|------|--------|----------------|------------------------------------|
| 44 | 962498 | R44-SME-10BP | Tornillo Phillips (St4X16) |
| 45 | 962499 | R45-SME-10BP | Tapa trasera |
| 45.1 | 962500 | R45.1-SME-10BP | Tornillo Phillips (St4X13) |
| 46 | 962501 | R46-SME-10BP | Tornillo Phillips (St4X10) |
| 47 | 962502 | R47-SME-10BP | Porta carbón |
| 47.1 | 962503 | R47.1-SME-10BP | Resorte de porta carbón |
| 48 | 962504 | R48-SME-10BP | Carbón |
| 49 | 962505 | R49-SME-10BP | Tornillo Phillips (M5X35) |
| 50 | 962506 | R50-SME-10BP | Protector de cable |
| 51 | 962507 | R51-SME-10BP | Arnés de conexión del motor |
| 52 | 962508 | R52-SME-10BP | Carcasa del motor |
| 53 | 962509 | R53-SME-10BP | Block límite de cuerda |
| 54 | 962510 | R54-SME-10BP | Chaveta (Ø2.5X30) |
| 55 | 962511 | R55-SME-10BP | Cigüeñal de elevación |
| 55.1 | 962512 | R55.1-SME-10BP | Buje separador (Ø12XØ17X3) |
| 56 | 962513 | R56-SME-10BP | Engrane cónico |
| 57 | 962514 | R57-SME-10BP | Almohadilla de engranaje cónico |
| 58 | 962515 | R58-SME-10BP | Tuerca M8 |
| 58.1 | 962516 | R58.1-SME-10BP | Arandela plana (Ø8.5XØ16X1.5) |
| 59 | 962517 | R59-SME-10BP | Tornillo Phillips (St4X21) |
| 60 | 962518 | R60-SME-10BP | Tornillo Phillips (M5X18) |
| 61 | 962519 | R61-SME-10BP | Placa de pivote-frente |
| 62 | 962520 | R62-SME-10BP | Arandela plana (Ø5XØ13.5X2) |
| 63 | 962521 | R63-SME-10BP | Tuerca M5 |
| 64 | 962522 | R64-SME-10BP | Soporte del motor |
| 65 | 962523 | R65-SME-10BP | Placa de pivote-trasera |
| 65.1 | 962524 | R65.1-SME-10BP | Tornillo Phillips (M5X10) |
| 66 | 962525 | R66-SME-10BP | Tapón de perilla |
| 67 | 962526 | R67-SME-10BP | Tornillo especial Phillips (M6X18) |
| 68 | 962527 | R68-SME-10BP | Perilla de guía |
| 69 | 962528 | R69-SME-10BP | Rueda de manivela biselada |
| 70 | 962529 | R70-SME-10BP | Tuerca M6 |
| 71 | 962530 | R71-SME-10BP | Engrane plástico |
| 72 | 962531 | R72-SME-10BP | Resorte (Ø15XØ17X42) |
| 73 | 962532 | R73-SME-10BP | Arandela plana (Ø15XØ20.5X1.5) |
| 74 | 962533 | R74-SME-10BP | Perno (Ø3X20) |
| 75 | 962534 | R75-SME-10BP | Brazo de accionamiento |
| 76 | 962535 | R76-SME-10BP | Casquillo - varilla impulsora |
| 77 | 962536 | R77-SME-10BP | Soporte - varilla motriz |
| 78 | 962537 | R78-SME-10BP | Tornillo Allen (M5X12) |
| 79 | 962538 | R79-SME-10BP | Tornillo Phillips (M4X8) |
| 80 | 962539 | R80-SME-10BP | Protector de la hoja inferior 2 |
| 81 | 962540 | R81-SME-10BP | Brida interior |
| 83 | 962541 | R83-SME-10BP | Brida exterior |
| 84 | 962542 | R84-SME-10BP | Tornillo hexagonal (M8x16) |
| 85 | 962543 | R85-SME-10BP | Conducto de polvo |
| 87 | 962544 | R87-SME-10BP | Protector de hoja de sierra |



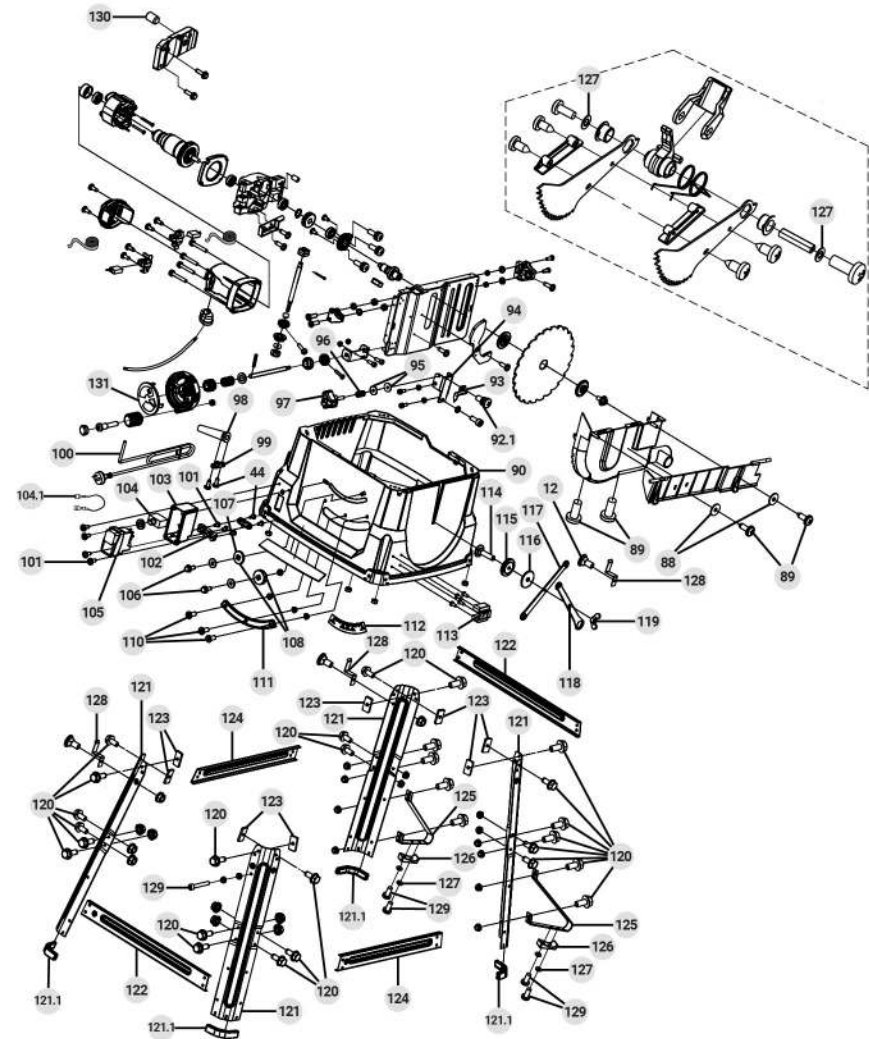
Todos los códigos los puedes adquirir en los Centros de Servicio Autorizado TRUPER o llamando al 800-018-7873



| No. | Código | Clave | Descripción |
|-------|--------|-----------------|---|
| 88 | 962545 | R88-SME-10BP | Arandela plana (Ø5XØ17X1) |
| 89 | 962546 | R89-SME-10BP | Tornillo Phillips (M6X16) |
| 90 | 962547 | R90-SME-10BP | Gabinete |
| 92.1 | 962548 | R92.1-SME-10BP | Arandela de presión (Ø5xØ8x1.5) |
| 93 | 962549 | R93-SME-10BP | Indicador de bisel |
| 94 | 962550 | R94-SME-10BP | Soporte del motor placa de montaje |
| 95 | 962551 | R95-SME-10BP | Arandela plana (Ø6XØ25X2) |
| 96 | 962552 | R96-SME-10BP | Resorte (Ø12xØ15x15) |
| 97 | 962553 | R97-SME-10BP | Perilla (M6x25) |
| 98 | 962554 | R98-SME-10BP | Protector de cable |
| 99 | 962555 | R99-SME-10BP | Opresor de cable |
| 100 | 962556 | R100-SME-10BP | Cable de alimentación |
| 101 | 962557 | R101-SME-10BP | Tornillo Phillips (St4x16) |
| 102 | 962558 | R102-SME-10BP | Almohadilla para abrazadera de cable en caja de interruptores |
| 103 | 962559 | R103-SME-10BP | Caja de interruptores |
| 104 | 962560 | R104-SME-10BP | Protector de sobrecarga 18A |
| 104.1 | 962561 | R104.1-SME-10BP | Arnés de protector térmico |
| 105 | 962562 | R105-SME-10BP | Interruptor |
| 106 | 962563 | R106-SME-10BP | Tuerca hexagonal (M6x16) |
| 107 | 962564 | R107-SME-10BP | Arandela de ajuste de ángulo de 90 (Ø5XØ25X3) |
| 108 | 962565 | R108-SME-10BP | Rueda de ajuste de ángulo 45 |
| 110 | 962566 | R110-SME-10BP | Tornillo Phillips (M5X14) |
| 111 | 962567 | R111-SME-10BP | Cremallera |
| 112 | 962568 | R112-SME-10BP | Escala de bisel |
| 113 | 962569 | R113-SME-10BP | Soporte para calibre de ingletes |
| 114 | 962570 | R114-SME-10BP | Tornillo especial Phillips (M6X25) |
| 115 | 962571 | R115-SME-10BP | Anillo de perilla |
| 116 | 962572 | R116-SME-10BP | Arandela plana (Ø6XØ35X2) |
| 117 | 962573 | R117-SME-10BP | Llave A |
| 118 | 962574 | R118-SME-10BP | Llave B |
| 119 | 962575 | R119-SME-10BP | Tuerca tipo mariposa M6 |
| 120 | 962576 | R120-SME-10BP | Tornillo hexagonal (M6X12) |
| 121 | 962577 | R121-SME-10BP | Soporte A |
| 121.1 | 962578 | R121.1-SME-10BP | Protector de soporte |
| 122 | 962579 | R122-SME-10BP | Soporte lateral B |
| 123 | 962580 | R123-SME-10BP | Tuerca rectangular M6 |
| 124 | 962581 | R124-SME-10BP | Soporte C |
| 125 | 962582 | R125-SME-10BP | Soporte trasero |
| 126 | 962583 | R126-SME-10BP | Pie de goma de soporte trasero |
| 127 | 962584 | R127-SME-10BP | Arandela plana (Ø4XØ10X1) |
| 128 | 962585 | R128-SME-10BP | Soporte para valla paralela |
| 129 | 962586 | R129-SME-10BP | Tornillo Allen (M5X20) |
| 130 | 962587 | R130-SME-10BP | Opresor (M8X11) |
| 131 | 962588 | R131-SME-10BP | Tapa de manivela |



Todos los códigos los puedes adquirir en los Centros de Servicio Autorizado TRUPER o llamando al 800-018-7873



| No. | Código | Clave | Descripción |
|-----|--------|---------------|----------------------------------|
| 612 | 962635 | R612-SME-10BP | Varilla - guía paralela |
| 614 | 962636 | R614-SME-10BP | Manija de bloqueo |
| 615 | 962637 | R615-SME-10BP | Conector |
| 617 | 962638 | R617-SME-10BP | Indicador de guía de corte |
| 618 | 962639 | R618-SME-10BP | Tapa final |
| 619 | 962640 | R619-SME-10BP | Soporte de regleta |
| 620 | 962641 | R620-SME-10BP | Tornillo Phillips (M4X8) |
| 621 | 962642 | R621-SME-10BP | Perno (Ø4X16) |
| 623 | 962643 | R623-SME-10BP | Bloque deflector |
| 624 | 962644 | R624-SME-10BP | Perno (Ø4X18) |
| 625 | 962645 | R625-SME-10BP | Soporte de resorte |
| 626 | 962646 | R626-SME-10BP | Resorte (Ø7XØ9X16) |
| 627 | 962647 | R627-SME-10BP | Bloque de transmisión |
| 628 | 962648 | R628-SME-10BP | Asiento deslizante con deflector |
| 629 | 962649 | R629-SME-10BP | Tapón del orificio del deflector |



Todos los códigos los puedes adquirir en los Centros de Servicio Autorizado TRUPER o llamando al 800-018-7873

