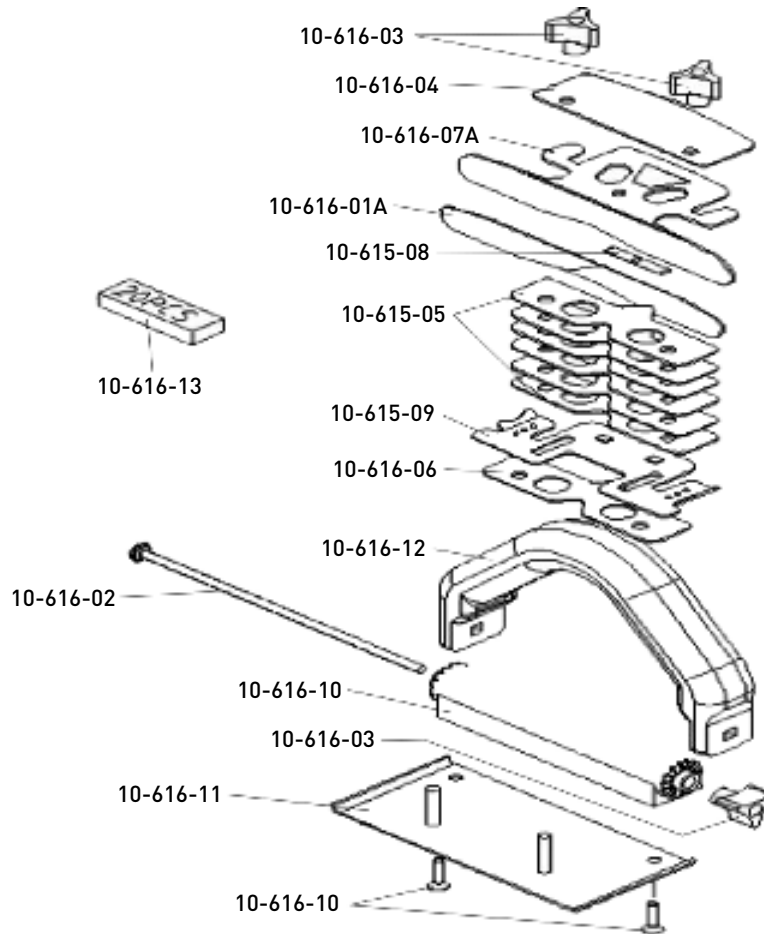


# 10-616-2A

## Conventional Carpet Trimmer



### REPLACEMENT PARTS LIST

Part #	Description
10-616-01A	Raised Trim Delrin Guide (12-pack)
10-616-01	Flat Trim Delrin Guide (12-pack)
10-616-02	Handle Bolt
10-616-03	Knobs
10-616-04	Name Plate
10-615-05	Spacers (6-pack)
10-616-06	Black Spacer

Part #	Description
10-616-07A	Blade Guide
10-615-08	Blade Clip and Rivet
10-615-09	Locking Plate
10-616-10	Trimmer Mount & Screws
10-616-11	Base Plate
10-616-12	Folding Handle
10-616-13	Blades