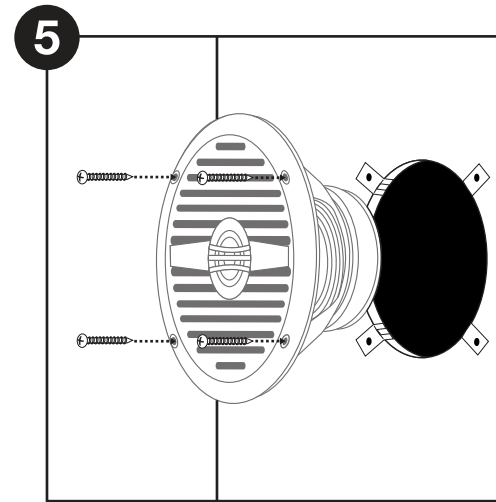
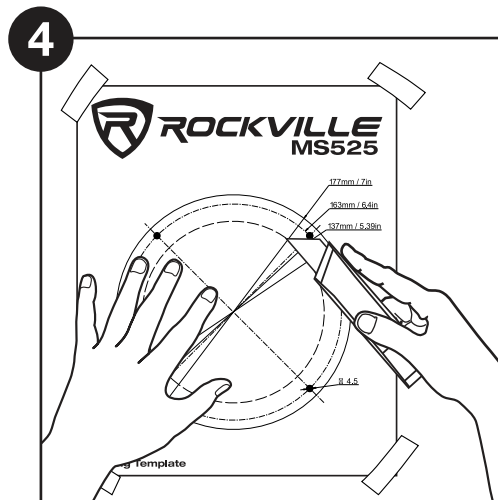
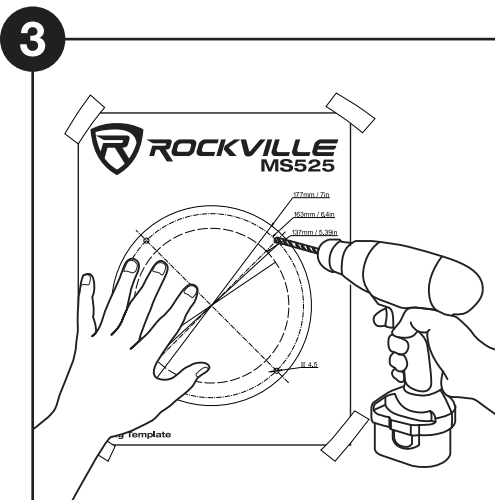
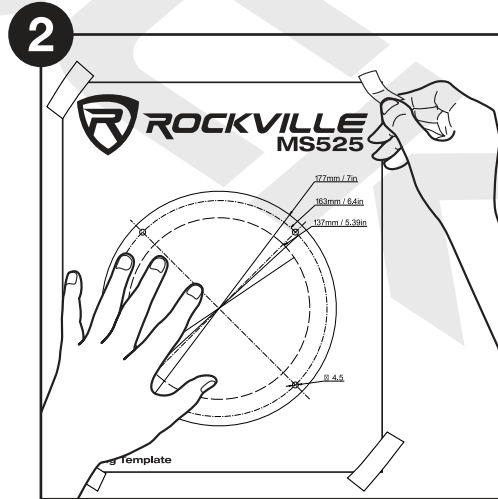
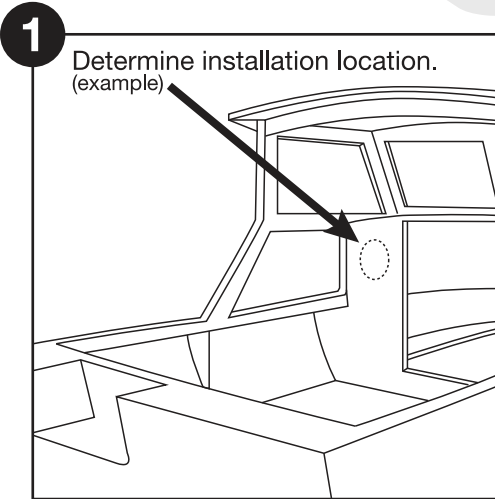


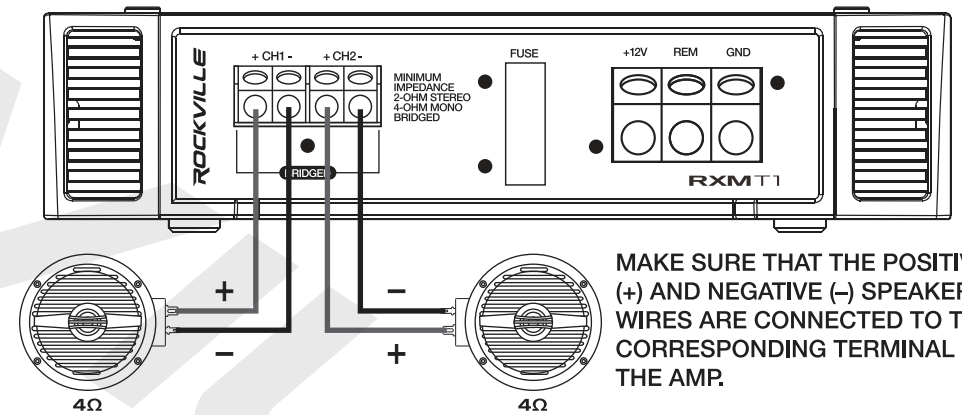
# **ROCKVILLE** **MS525**

Thank you for purchasing these Rockville MS525 5.25" 2-way Marine Speakers. Please read this guide carefully for proper use of your Rockville MS525 5.25" 2-way Marine Speakers. Should you need assistance please call our technical help line at 1-646-758-0144, Monday through Friday, 9am to 5pm EST.

## INSTALLATION



## SPEAKER CONFIGURATION



**⚠ WARNING ⚠**

- Most speaker damage is caused by amplifiers with too much power (wattage).
- The proper way to set your gain is to turn your receiver volume to 75% of the max, and then slowly turn your gain up. The second you hear any slight distortion, turn it down one notch and leave it at that setting. Amps are not meant to be played with the gain up to the max. If this is the case, lower your gain slowly until you hear the amplifier stop clipping.

**RockvilleAudio.com**

© 2020 ROCKVILLE // Features and specifications are subject to change and or improvement without notice.