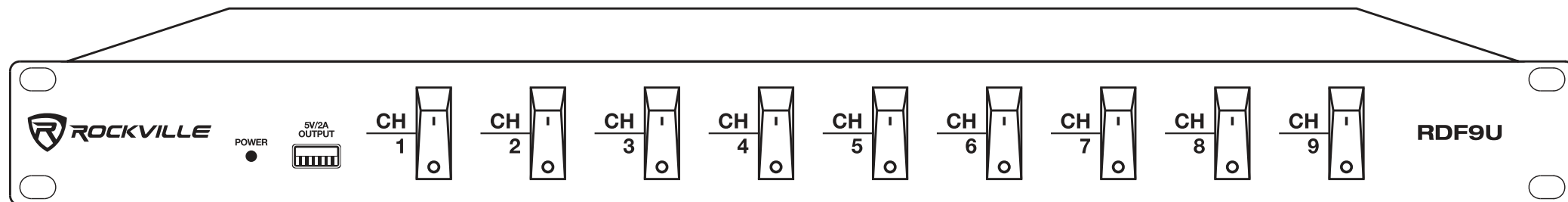


ROCKVILLE



OWNER'S MANUAL

RDF9U

**ROCKVILLE 1U 15A RACK MOUNT DJ PRO AUDIO
POWER SUPPLY w/USB CHARGING PORT**



Thank you for purchasing this Rockville RDF9U 1U 15A Rack Mountable Power Supply. Please read this owner's manual carefully for proper use. Should you need technical assistance please call our technical help line at 1-646-758-0144, Monday through Friday, 9am to 5pm EST.

INCLUDES

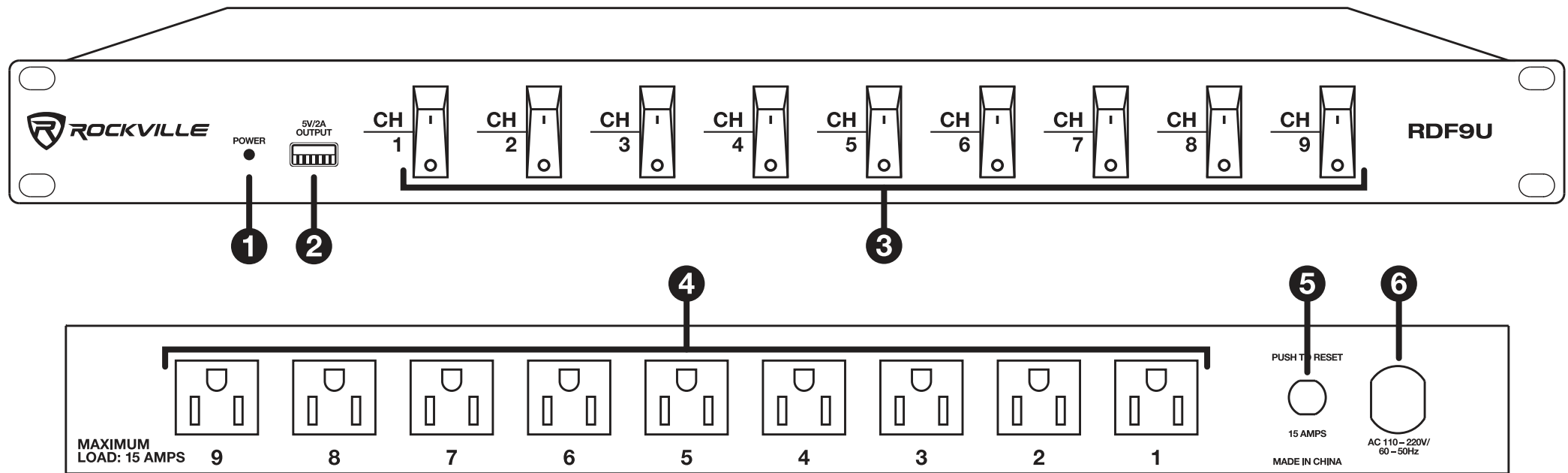
- Rack mount power supply
- Power cord
- Rack screws
- Manual and warranty card

IMPORTANT SAFETY INSTRUCTIONS



- To reduce risk of electric shock, never open the unit. There are no user serviceable parts, refer service to an authorized Rockville service center.
- Do not expose this unit to any kind of moisture.
- Please ensure that the unit is situated in a properly ventilated area.
- Make sure the unit is placed on a level and stable surface.

FUNCTIONS



1. Power indicator LED
2. 5V/2A USB Output
3. Power switches
4. Power outlets
5. Resettable 15A circuit breaker. If the unit goes into protect mode, unplug it and push the button to reset it.
6. AC 110/220V~50/60Hz power input. **Please note: if the power input is 110V, the unit will output 110V. If the power input is 220V, the unit will output 220V.**

OPERATION

1. Make sure all power switches are in the “off” position. Connect the RDF9U to a wall outlet.
2. Connect any 110V/220V device to one of the nine power outlets on the back of the unit. Use the corresponding switch on the front of the unit to control power flow to the connected device.
3. The RDF9U features a 5V/2A USB outlet. To charge any 5 volt device simply connect it to the USB outlet using the appropriate USB cable.

TROUBLESHOOTING

PROBLEM	SOLUTION
There is no power to the AC outlets	<ol style="list-style-type: none"><li data-bbox="760 244 2081 322">1. Check the circuit breaker on the rear of the unit. If the button has popped out, unplug the unit and push the button to reset it.<li data-bbox="760 357 2081 435">2. Make sure the RDF9U unit is properly plugged in and that there is no damage to the power cable.

FEATURES

- 9 Outlets
- 15A Power supply for all your pro audio and lighting needs
- Each outlet has a power switch with a dim blue LED illumination light
- Built-in AC Noise Filter
- Circuit breaker to protect your equipment
- Spike and Surge Protection
- 1U Rack Mountable and includes rack screws
- Steel Chassis
- Push to Reset (If the unit goes into protect mode there is a reset button to restart it)
- 6 Foot Power Cord (3 x 14 AWG)
- Max load 15A or 1,725 watts (115 Volts)
- Energy Dissipation: 150 Joules
- Peak Impulse Current: 1200 Amps
- Operating Voltage: 110V~50/60Hz
- Eliminates extension cords and messy wires
- Top quality 120V 3-prong outlets on rear of the unit
- The perfect solution for switching on and off specific lights and sound equipment
- Maximum load: 15 amps or 1800 watts
- Dimensions: (L x H x W) 19" x 1.8" x 3.9"



ROCKVILLE

RockvilleAudio.com

©2019 ROCKVILLE // The information presented is subject to change and or improvement without notice.