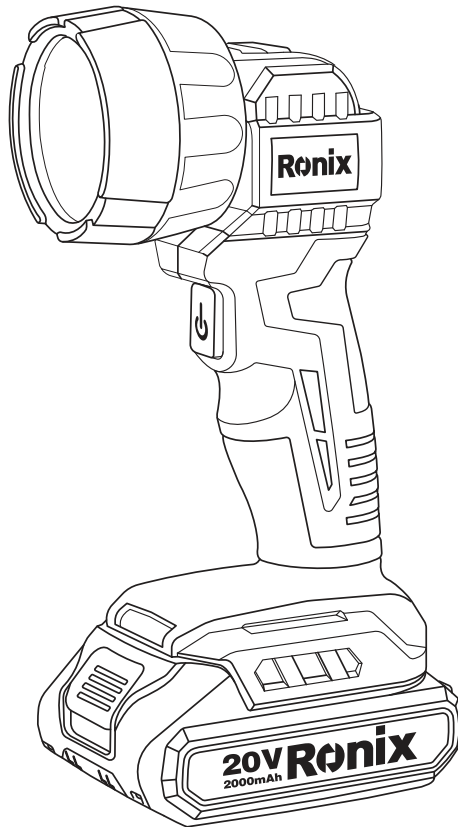


Ronix[®]

Premium Quality

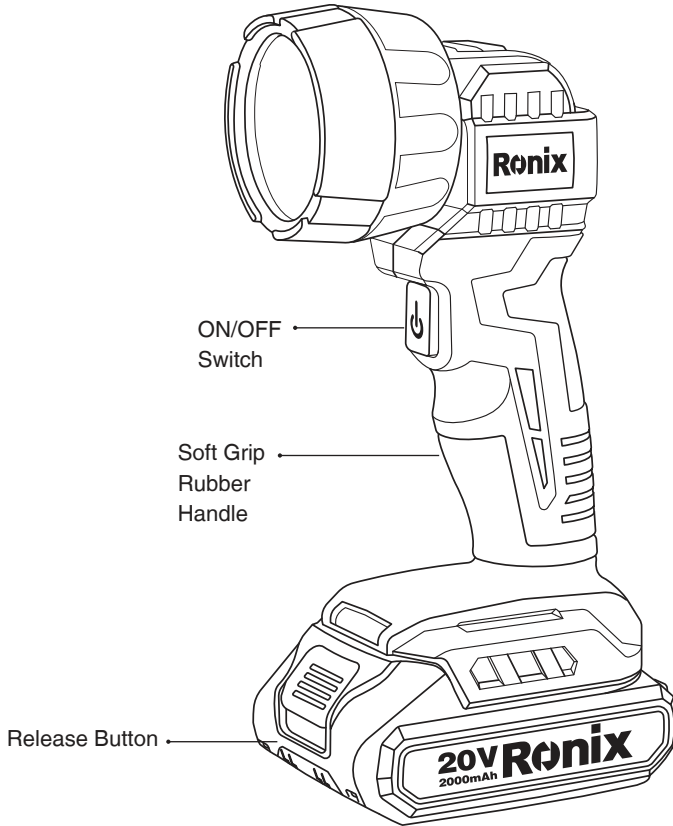
CORDLESS LED WORK LIGHT 20V 8630



TECHNICAL SPECIFICATION

Model	8630
Light Type	High Brightness Led Lamp
Power	5W
Battery	2000mAh/20V
Flux	250lm
Illumination Range	>100m
CCT	6500K
Rotation Angle	90°
Runtime	6H
Charging Time	60 min
Degree Of Protection	IP54
Weight	0.8Kg
Dimension	207.3x119.32x73.5mm
Include	1pc 2.0Ah Battery 1pc 2.0A Charger

PART LIST



SYMBOLS

The following show the symbols used for the equipment. Be sure that you understand their meaning before use.



Read instruction manual.



Do not touch the bulb which is hot in use or immediately after

Putting on light. You may get burnt.

IMPORTANT SAFETY INSTRUCTIONS

⚠ WARNING!

When using electric tools, basic safety precautions should always be followed to reduce the risk of fire, electric shock, and personal injury, including the following.

READ ALL INSTRUCTIONS

1- Read this instruction manual and the charger instruction manual carefully before use.

2- This flashlight is not waterproof. Do not use it in damp or wet locations. Do not expose it to rain or snow. Do not wash it in water.

3- A short circuit can cause a large current flow, overheating, possible burns and even a breakdown.

to flames, fire or great heat. Breakage may cause release of injurious material.

- Do not touch the inside of the flashlight head with tweezers, metal tools, etc.

- Do not touch the battery terminals with any conductive material.

- Avoid storing the battery cartridge in a container with any metal objects such as nails, coins, etc.

4- Never expose the battery cartridge to flames, fire or great heat. Breakage may cause release of injurious material.

5- If electrolyte gets into your eyes, rinse them out with clear water and seek medical attention right away. It may result in loss of your eyesight.

6- If operating time has become excessively shorter, stop operating immediately. It may result in a risk of overheating, possible burns and even an explosion.

7- Be careful not to drop, shake or strike battery.

8- When the tool is not in use, always switch off and remove the battery

cartridge from the tool.

9- Do not store the tool and battery cartridge in locations where the temperature may reach or exceed 50°C (122°F).

10- Do not give the tool a shock by dropping, striking, etc.

11- Do not expose the light to eyes continuously. It may hurt them.

12- Do not cover or clog the lit tool with cloth or carton, etc. It may create a risk of fire.

13- Switch off the light immediately when the lamp gets dark in use. If you leave the lamp switched on, the battery cartridge capacity may decrease.

14- Do not disassemble the charger or battery cartridge; take it to a qualified serviceman when service or repair is required. Incorrect reassembly may result in a risk of electric shock or fire.

SAVE THESE INSTRUCTIONS FUNCTIONAL DESCRIPTION CHARGING

Charge the battery cartridge with the matched charger before use.

■ INSTALLING OR REMOVING BATTERY CARTRIDGE

- Always switch off the tool before insertion or removal of the battery cartridge.

- To remove the battery cartridge, withdraw it from the tool while sliding the button on the front of the cartridge.

- To insert the battery cartridge, align the tongue on the battery cartridge with the groove in the housing and slip it into place. Always insert it all the way until it locks in place with a little click. If you can see the red part on the upper side of the button, it is not locked completely. Insert it fully until the red part cannot be seen. If not, it may accidentally fall out of the tool, causing injury to you or someone around you.

- Do not use force when inserting the battery cartridge. If the cartridge does not slide in easily, it is not being inserted correctly.

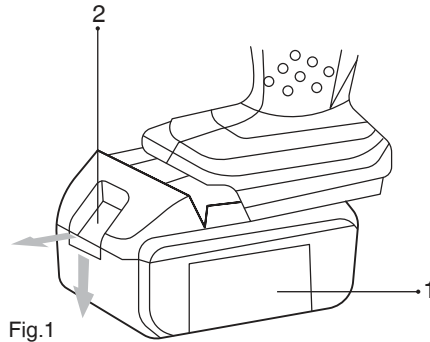


Fig.1

LIGHTING UP THE BULB (FIG. 2)

⚠ CAUTION!

- Do not look in the light or see the source of light directly.
- This tool has function that bulb light goes out at low voltage. At this time, recharge the battery cartridge.

Push the switch to light up the bulb. To turn off, push the switch again. The following tables indicate the operating time on a single charge.

Model	Voltage	Battery Capacity	Operating Time
8630	20V	2000mAh	Approx 720 min

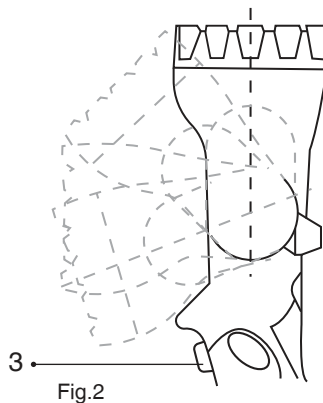


Fig.2

■ HEAD ANGLE (FIG. 2)

The head angle can be adjusted in four stages. Adjust as desired.

ASSEMBLY REPLACING BULB (FIG. 3 & 4)

⚠ CAUTION!

The bulb is very hot immediately after operation. Wait until the bulb cools off before attempting to replace it.

First, turn the ring counterclockwise and remove the reflector. Then replace the bulb.

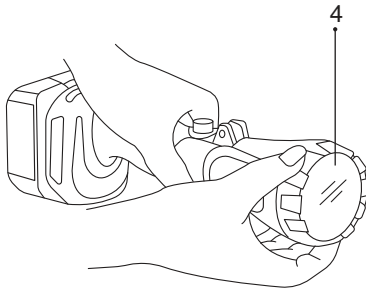


Fig 3

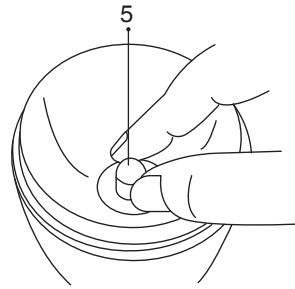


Fig 4

MAINTENANCE

To maintain product safety and reliability, repairs, maintenance or adjustment should be carried out by a Authorized Service Center.

ACCESSORIES

⚠ CAUTION!

The use of any other accessories or attachments might present a risk of injury to persons.

The accessories or attachments should be used only in the proper and intended manner.



www.ronixtools.com