

# REPAIR SHEET

BRAND

**RYOBI**

DESCRIPTION

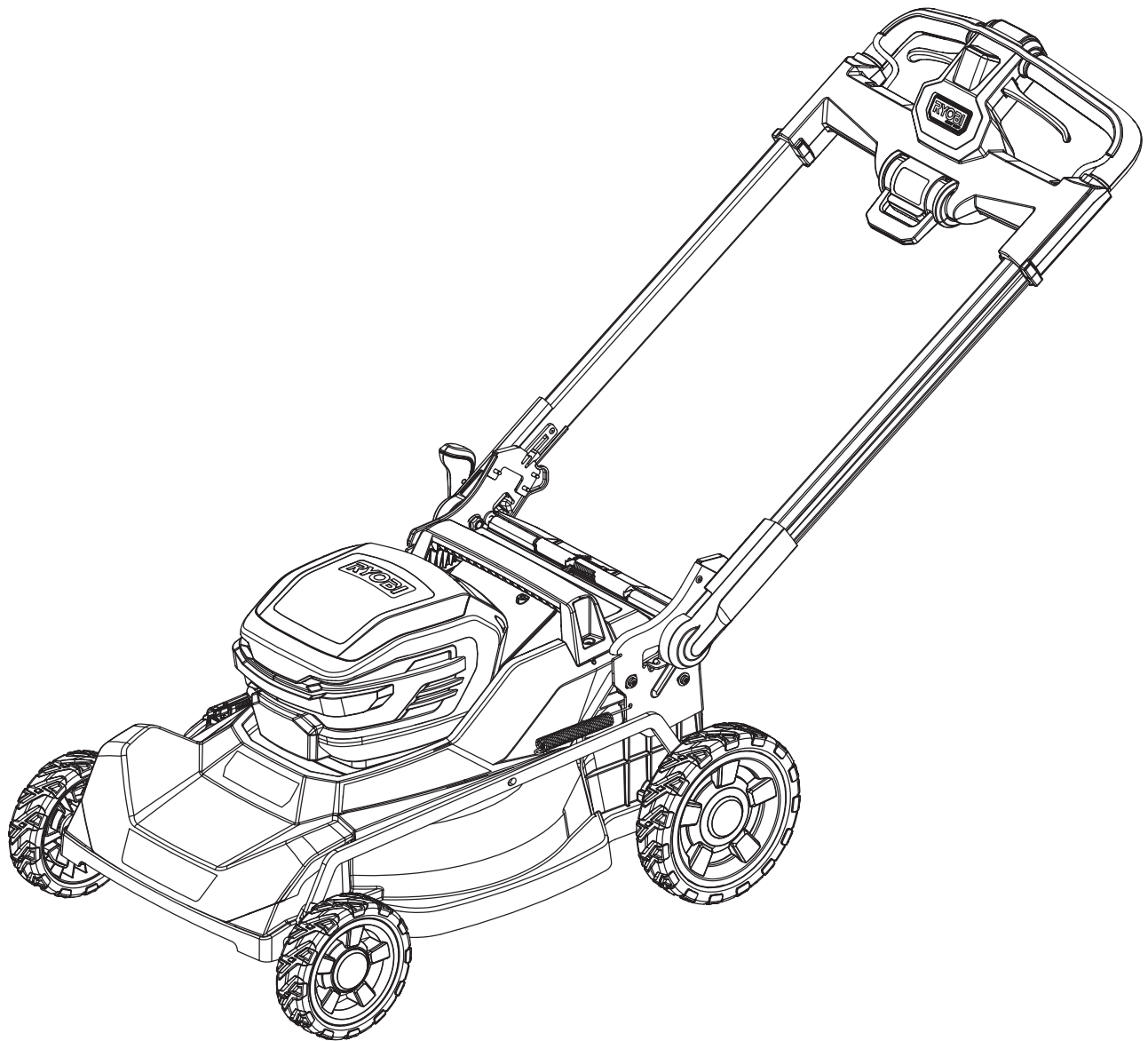
**40 Volt  
21 in. Lawn Mower**

MODEL NO.

**RY401014US**

MFG. NO.

**107608001**



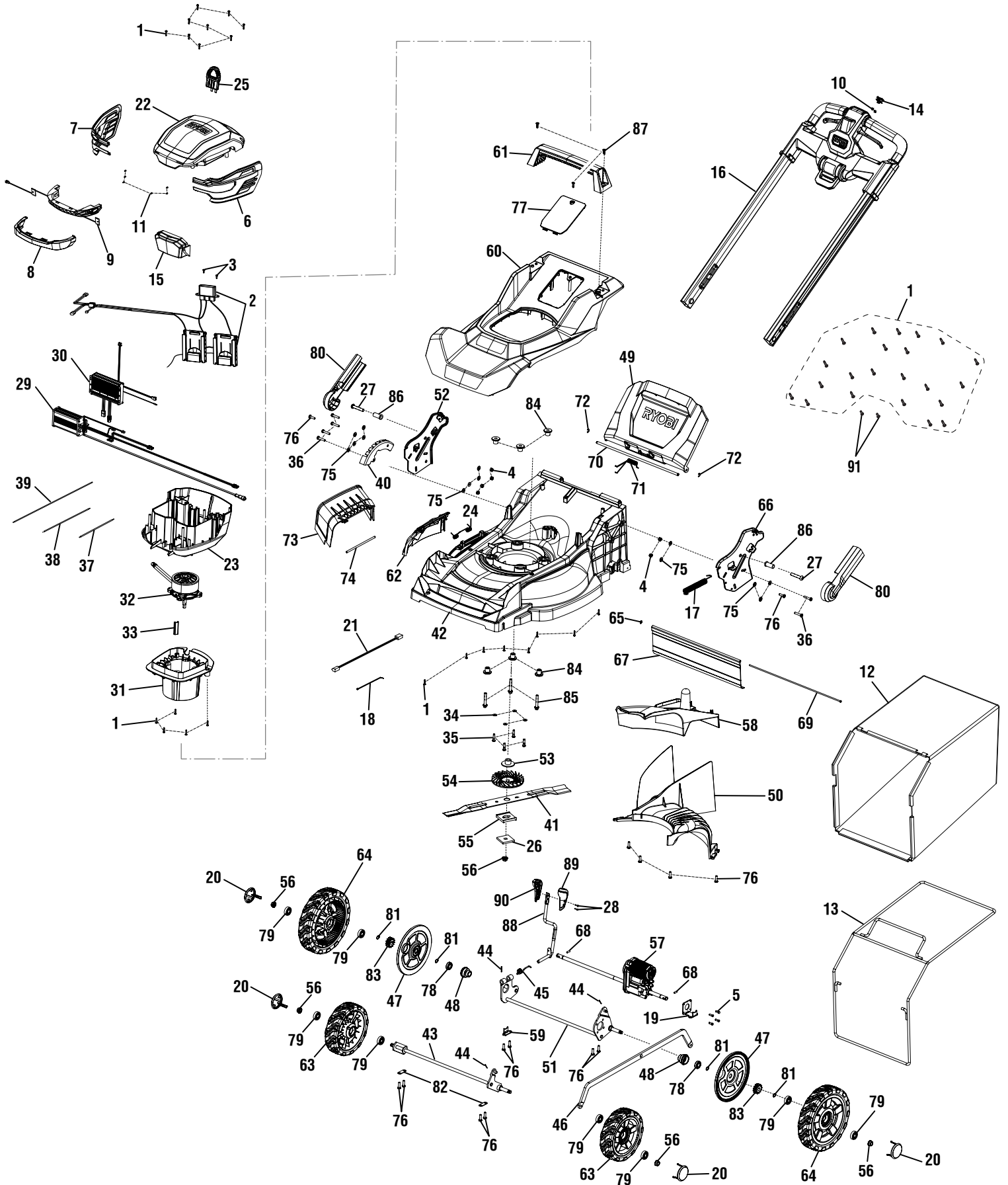
**TECHTRONIC INDUSTRIES POWER EQUIPMENT**

P.O. Box 1288, Anderson, SC 29622 ■ 1-800-525-2579 ■ [www.ryobitools.com](http://www.ryobitools.com)

4-19-21 (Rev:01)

*The model number and manufacturing location will be found on a label attached to the product. Always mention this information in all communications regarding this product and when ordering parts.*

# RYOBI RY401014US



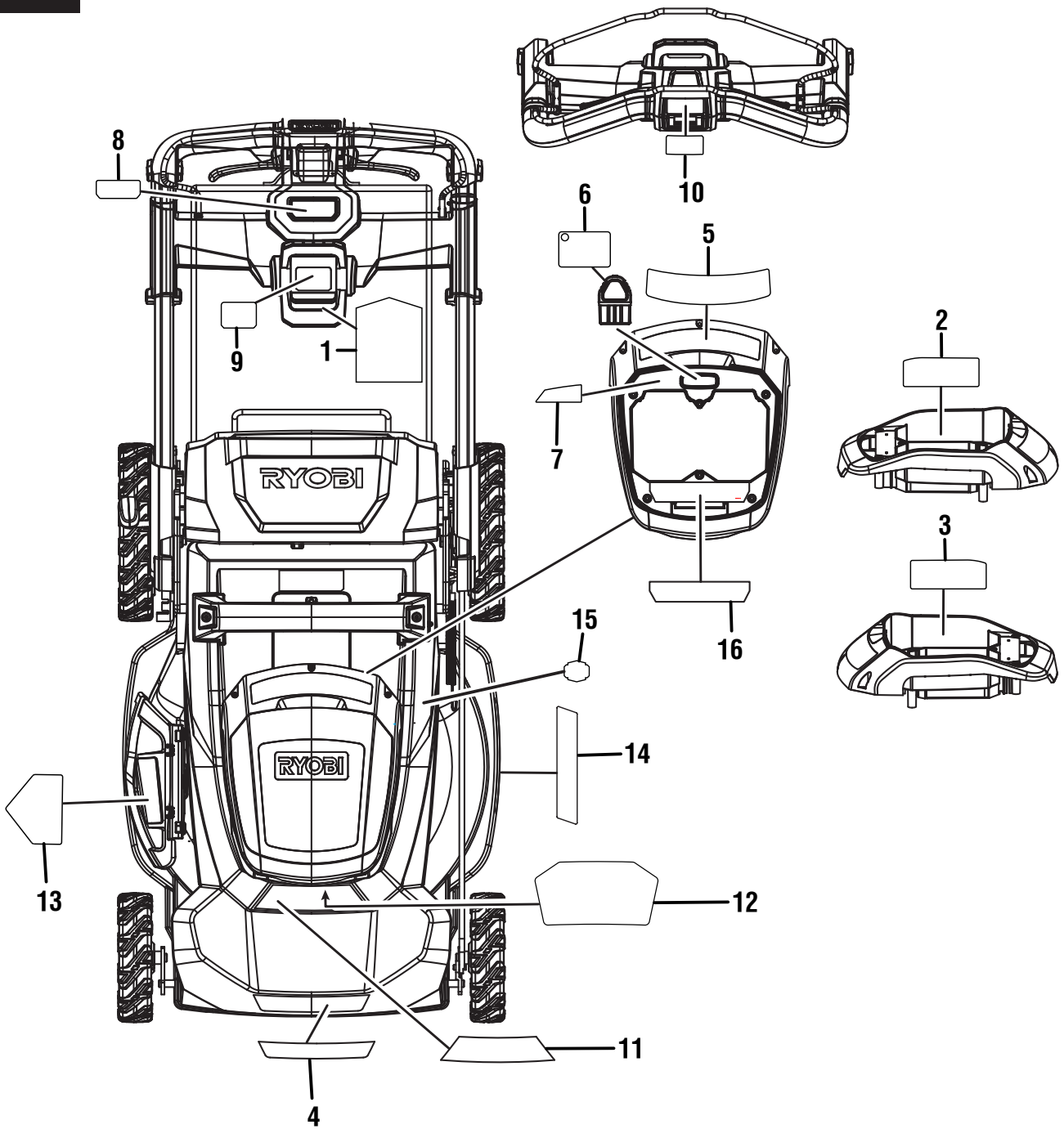


# RY401014US

## PARTS LIST

KEY NO.	PART NO.	DESCRIPTION	QTY.
1	661189003	Screw (M4 x 18 mm, T20 Torx Pan Hd.)	44
2	318031001	Key Base and Battery Foot Assembly	1
3	660608001	Screw (M4 x 12 mm T20 Torx Pan Hd.)	2
4	678016006	Lock Nut (1/4-UNC)	6
5	660927002	Screw (M5 x 14.5 mm, T-20 Torx Pan Hd.)	4
6	535006001	Battery Housing Front Vents (Left)	1
7	535007001	Battery Housing Front Vents (Right)	1
8	535081001	LED Clear Window Lens	1
9	318032001	LED Circuit Board Assembly	1
10	699475001	Spring	2
11	660201010	Screw (M2.6 x 6 mm)	6
12	970834002	Grass Bag	1
13	659320002	Grass Bag Frame	1
14	534988005	Blade Button	1
15	536862001	Battery Housing Front Plug Cover	1
16	317168002	Handle Assembly	1
17	699325003	Compression Spring	1
18	790055001	Cable Tie	1
19	659708001	Connecting Plate	1
20	542861001	Wheel Hub Cap	4
21	292305001	Inner Wire with Connector Between Transmission and Circuit Board Assembly	1
22	317810001	Battery Housing Assembly (Includes Labels)	1
23	535005002	Battery Housing Bottom	1
24	699080002	Mulch Cover Spring	1
25	318030001	Start Key Assembly	1
26	639118002	Blade Spacer Metal Plate	1
27	663110001	Screw (M10 x 48 mm, Hex. Recess Hd.)	2
28	660004019	Screw (M3 x 12 mm, Phillips Pan Hd.)	2
29	280999003	Self-Propelled Controller Assembly	1
30	285001002	Cutting Controller Assembly	1
31	535014003	Motor Bucket	1
32	742745001	Motor	1
33	542614001	Wire Harness Cover	1
34	638557001	Washer (OD15 x ID6.2 x 0.8t)	4
35	660722002	Screw (M6 x 26 mm, Hex Hd.)	4
36	663126001	Screw (1/4-20UNC X 31.75 in., T30 Torx Pan Hd.)	6
37	770115001	Red Lead Wire (14 AWG, 215 mm)	1
38	770099001	Black Lead Wire (14 AWG, 280 mm)	1
39	770387001	Electric Wire with Terminal (22 AWG)	1
40	659324006	Height Adjustment Bracket	1
41	682534001	Blade	1
42	317809001	Deck with Labels	1
43	659706002	Front Axle	1
44	678279004	Cotter Pin	3
45	699325001	Torsion Spring	1
46	659957001	Linkage	1
47	535046001	Wheel Cover	2
48	614676002	Transmission Bearing Bushing	2

KEY NO.	PART NO.	DESCRIPTION	QTY.
49	541381002	Rear Door	1
50	541380002	Discharge Baffle	1
51	659707001	Rear Axle	1
52	659746002	Handle Bracket (Right)	1
53	613427001	Motor Axle Bushing	1
54	535080003	Motor Fan Blade Adapter	1
55	526920003	Plastic Blade Spacer	1
56	679075001	Hex Nut (M10)	5
57	210449007	Transmission	1
58	541643002	Mulching Plug	1
59	639116011	Rear Axle Press Plate	1
60	317808001	Top Cover with Labels	1
61	537116002	Carry	1
62	541361003	Side Discharge Door	1
63	317161002	8 in. Wheel Assembly	2
64	317159002	10 in. Wheel Assembly	2
65	659472001	Retaining Ring	1
66	659747002	Handle Bracket (Left)	1
67	541601002	Trailing Shield	1
68	622068001	Gear Shaft	2
69	674157001	Trailing Shield Pin	1
70	622754001	Rear Door Axle	1
71	698995001	Rear Door Torsion Spring	1
72	678880001	E-Ring	2
73	541644001	Side Charge Deflector	1
74	698355001	Side Cover Hinge Rod	1
75	638387005	Flat Washer (1/4 in.)	14
76	664004003	Screw (1/4-15 x 1 in., T30 Torx Pan Hd.)	14
77	542610001	Top Cover Door	1
78	682164001	Ball Bearing (ID12.7 x OD28.6 x 8 mm)	2
79	681957001	Ball Bearing (ID12 x OD32 x 10 mm)	8
80	538869002	Hinge Cover	2
81	690698001	Snap Ring	4
82	639116012	Front Axle Press Plate	2
83	613239001	Drive Gear	2
84	614652001	Engine Spacer	6
85	661505033	Screw (M8 x 50 mm, Hex Hd.)	3
86	614861003	Handle Bushing	2
87	660629005	Screw (#10-14 x 0.78 in., T25 Torx Hd.)	3
88	658929002	Height Adjustment	1
89	538938002	Height Adjustment Knob (Left)	1
90	538937002	Height Adjustment Knob (Right)	1
91	661189002	Screw (M4 x 10 mm, T20 Torx Pan Hd.)	2
	<b>Not Shown:</b>		
	903802002	Foam	1
	661864007	Screw (M4 x 18 mm, T15 Torx Pan Hd.)	8
	659859001	Washer (ID7.13 x OD18.64 x 1.6 mm)	6
	900333008	Hang Tag Cable Tie	2
	543394001	Wire Harness Clip	1
	998000474	Operator's Manual	



### LABELS

KEY NO.	PART NO.	DESCRIPTION	QTY.
1	918016067	Folding Instructions Hangtag	1
2	940779340	Start Key Warnings Label	1
3	940779339	Spanish Danger Label	1
4	940851696	Self-Propelled Label	1
5	941851158	Main Danger Label (EN / FR)	1
6	918016070	Start Key Battery Port Callout Hangtag	1
7	950219160	QR Code Label	1
8	940705546	RYOBI Logo Label	1

KEY NO.	PART NO.	DESCRIPTION	QTY.
9	940779337	ONE FOLD Logo Label	1
10	940851695	Instructions Label	1
11	940851693	3-in-1 Cut Label	1
12	940779331	40V HP BRUSHLESS Logo Label	1
13	941641001	CPSC Cut Finger Label	1
14	940851692	Right Side Label	1
15	940779336	Made in the USA Label	1
16	940851694	Battery Wet Conditions/Data Label	1

