

# REPAIR SHEET

BRAND

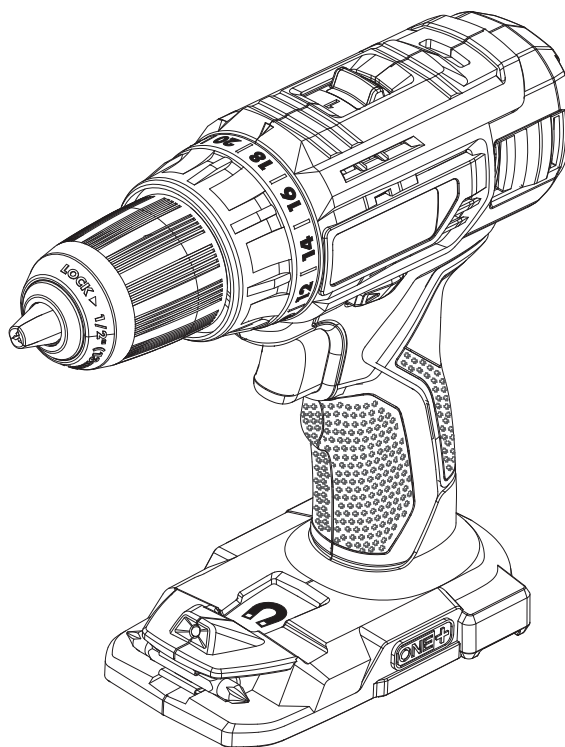
**RYOBI**

DESCRIPTION

**18 Volt 1/2 in. 2-Speed Drill-Driver**

MODEL NO.

**P215**

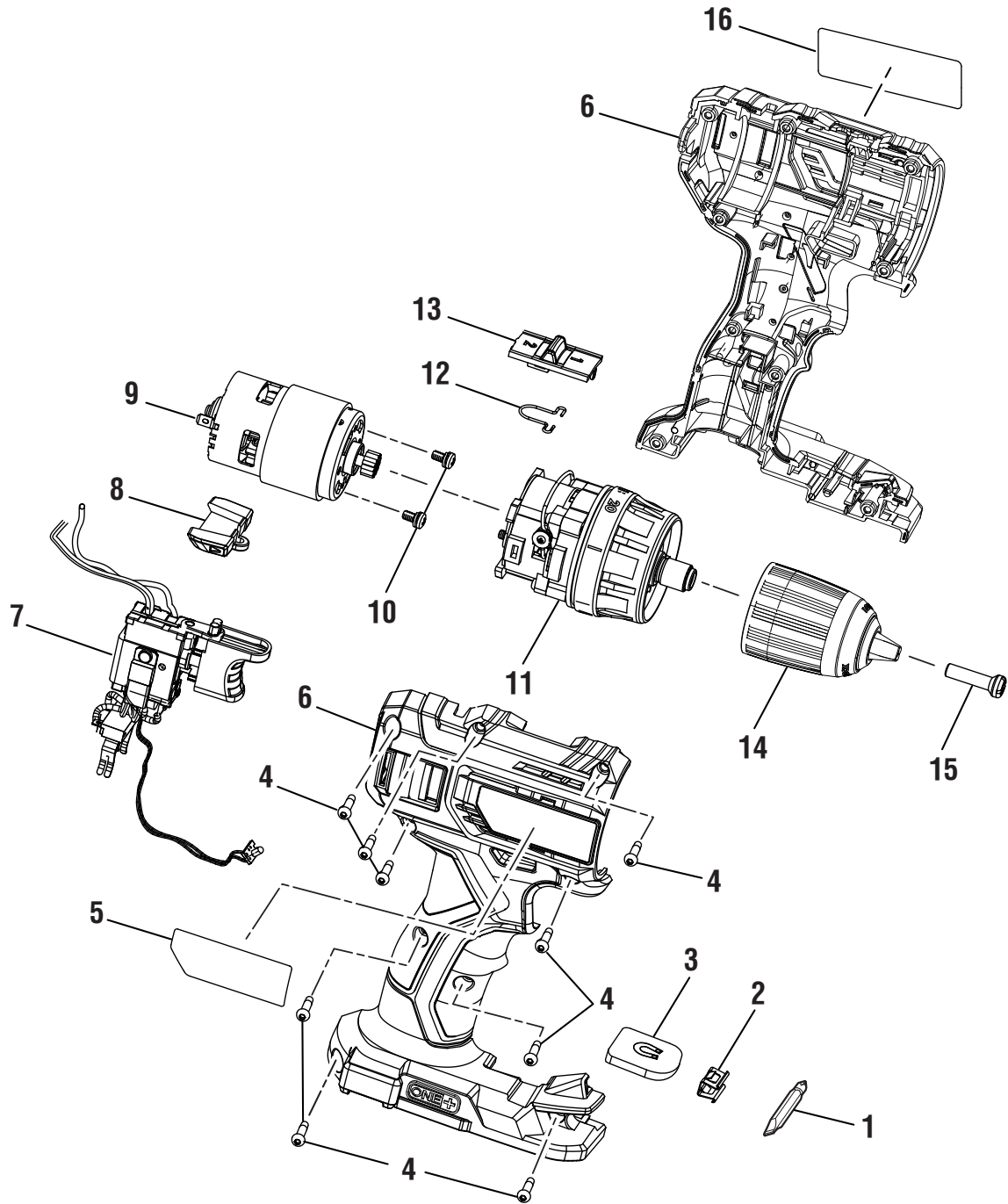


**ONE WORLD TECHNOLOGIES, INC.**

P.O. Box 1288, Anderson, SC 29622 ■ 1-800-525-2579 ■ [www.ryobitools.com](http://www.ryobitools.com)

2-23-21 (Rev:03)

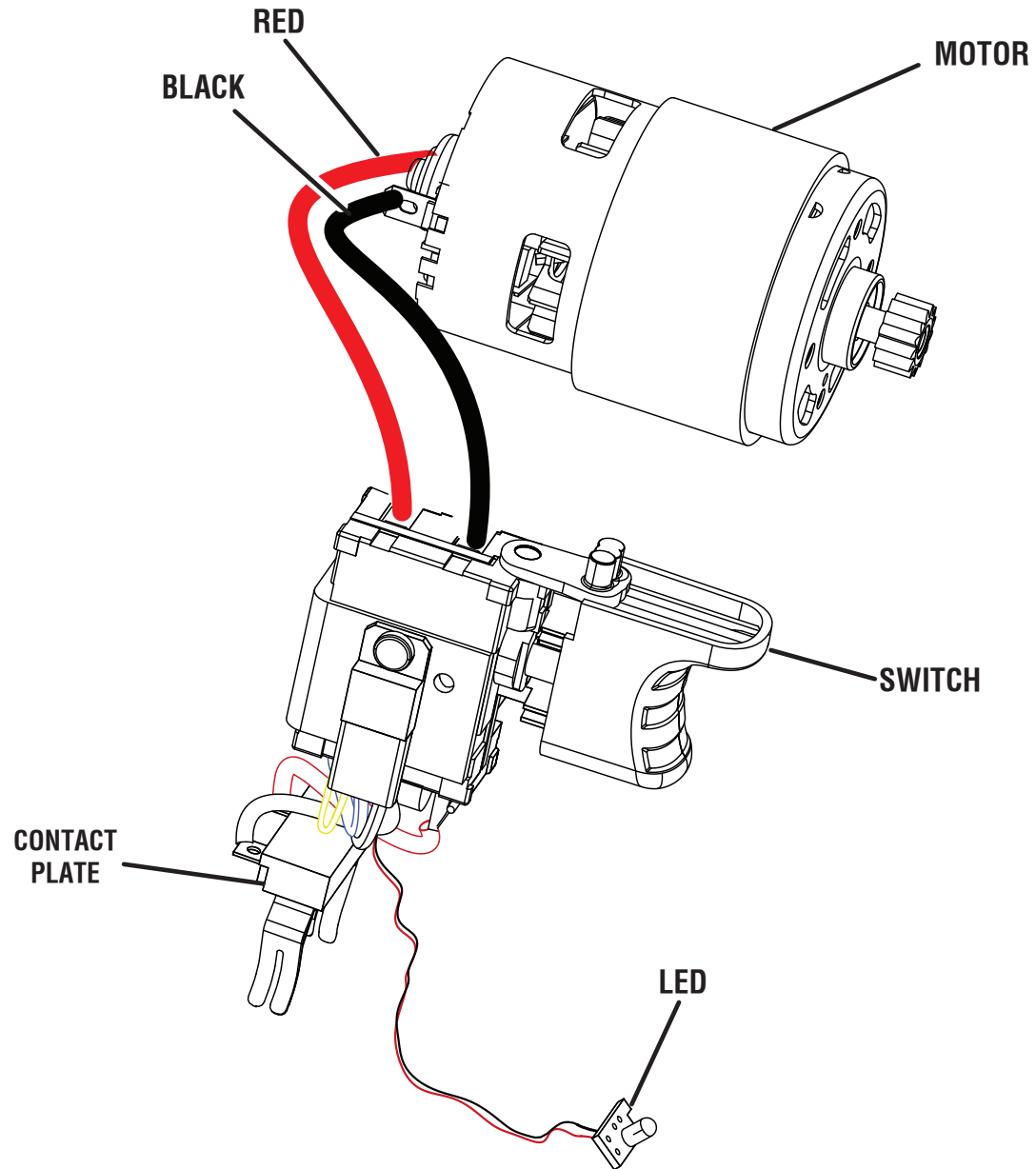
*The model number and manufacturing location will be found on a label attached to the product. Always mention this information in all communications regarding this product and when ordering parts.*



**PARTS LIST**

KEY NO.	PART NO.	DESCRIPTION	QTY.
1	6782045	Double Ended Bit (#2 Phillips Hd./#6 Slotted x 50 mm)	1
2	630206011	Bit Clip	1
3	303001052	Magnet	1
4	660031018	Screw (M3.5 x 14 mm, T10 Torx Pan Hd.)	9
5-CN	941122268	Data Label	1
5-VN	941122642	Data Label	1
6-CN	204584003	Housing Assembly (Inc. Key Nos. 5 & 16)	1
6-VN	204584005	Housing Assembly (Inc. Key Nos. 5 & 16)	1
7-CN	370188001	Switch Assembly	1
7-VN	204584006	Switch Assembly	1
8	538406001	Direction of Rotation Selector (Forward/Reverse)	1
9-CN	206897002	Motor Assembly	1
9-VN	206897003	Motor Assembly	1

KEY NO.	PART NO.	DESCRIPTION	QTY.
10	T662103001	Screw w/Washer (M4 x 8 mm, Pan Hd.)	2
11-CN	206897001	Clutch and Gear Box Assembly	1
11-VN	206897004	Clutch and Gear Box Assembly	1
12	693436001	Spring (Two Speed Gear Train Knob)	1
13	538407001	Two Speed Gear Train Selector (High/Low)	1
14	670794017	Chuck	1
15	660134002	Chuck Screw (M6 x 27 mm, Special Left Hand Threads)	1
16	941655039	Logo Label	1
	<b>Not Shown:</b>		
	995000839	Operator's Manual (CN – 961153043) (VN – 961153134)	



**WIRING DIAGRAM**