



10-BAY 3.5" SATA III HDD TRAY-LESS DOCKING STATION (USB 3.2 TYPE-C AND TYPE-A)



FEATURES

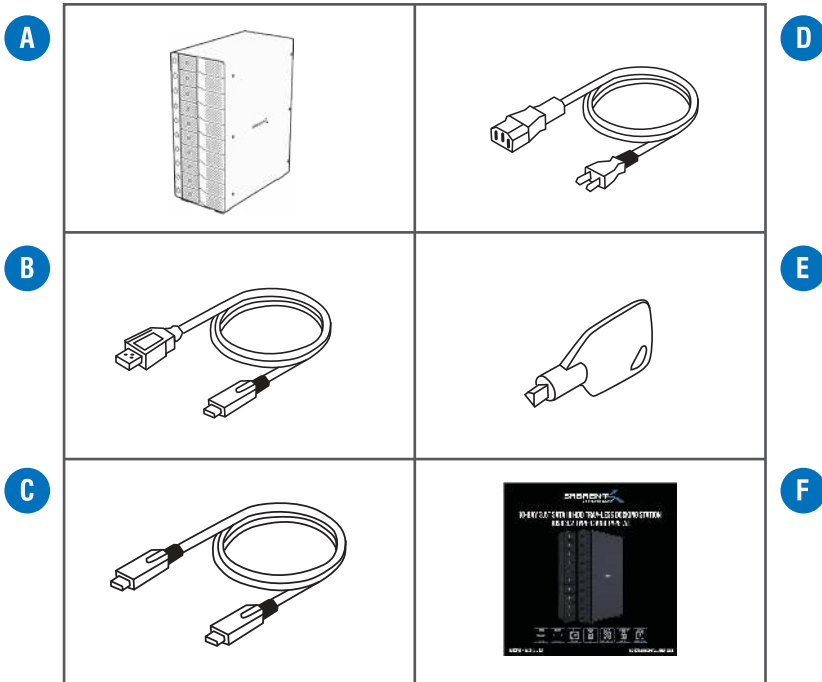
- USB 3.2 Gen 2 Type-C port with up to 10 Gbps transfer speed.
- 10 x SATA III (up to 6 Gigabit/s) 3.5” hard drive tray-less bays. Back-compatible with SATA II and I.
- High-quality aluminum for optimal heat dissipation and structural integrity.
- Hot-Swappable with 10 independent ON/OFF power switches.
- Locking key to prevent accidental bay opening, fully tray-less design.
- Built-in 120mm fans for additional cooling power.
- Auto-switching internal power supply: AC 100 to 240 volts.
- Built-in Kensington security slot.
- Main ON/OFF power switch.
- Fully backward compatible with USB 3.0 / 2.0 / 1.1.

NOTE: This multi-bay station does NOT do RAID arrays on its own. However, RAID arrays are always possible via software.

* HARD DISKS ARE NOT INCLUDED

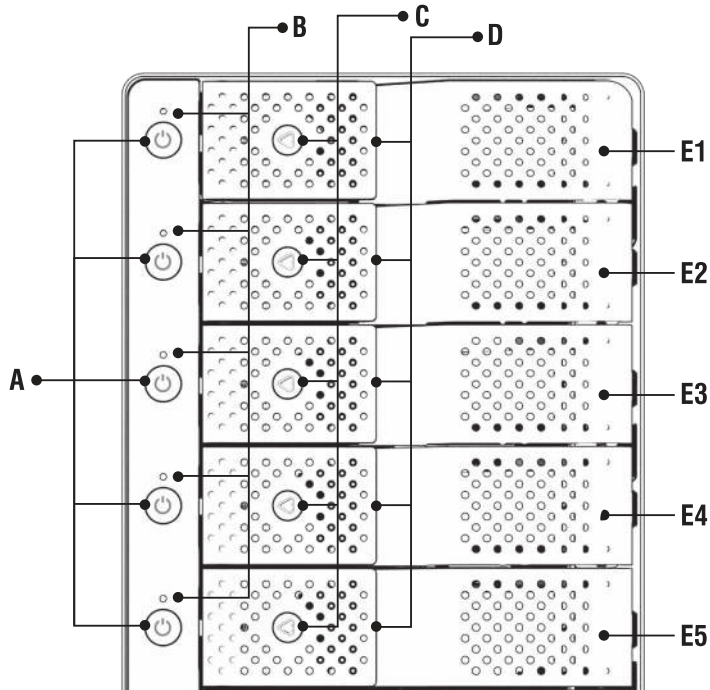
SYSTEM REQUIREMENTS

- Windows / Mac OS / Linux

PACKAGE CONTENTS


- A.** 10-Bay Docking Station
- B.** USB Type-C to Type-A cable
- C.** USB Type-C to Type-C cable

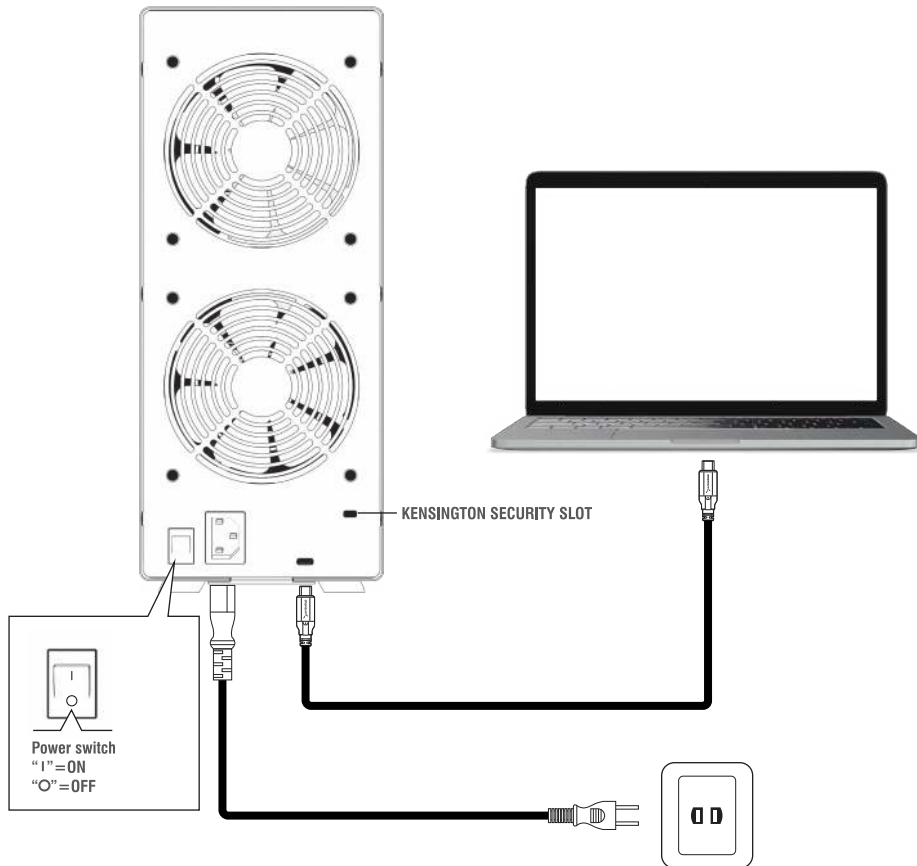
- D.** Power cable
- E.** Locking Key
- F.** This quick installation guide

FRONT PANEL DETAIL


- A.** Independent Power Switch
- B.** Status LED
- C.** Door Lock

- D.** Door Handle
- E.** Hard Drive Slot

REAR PANEL DETAIL AND CONNECTION DIAGRAM



LED INDICATOR REFERENCE TABLE

COLOR	INDICATOR	LED STATUS
BLUE	POWER LED	Corresponding disk is connected and online.
RED	POWER LED	Disk is in SLEEP MODE or USB was ejected.
LED OFF	POWER LED	Corresponding disk bay is turned off.

HDD INSTALLATION PROCEDURE

Step 1: Pull the door handle on the front panel to open each individual HDD bay.

Step 2: Carefully insert HDD into slot.

Step 3: Close the slot door and make sure it clicks into place. Closing the door will push the disk inward and connect it to the internal SATA port. Use the locking key to avoid accidentally opening the bay (optional).

Step 4: Connect the Sabrent docking station to your computer using the USB Type-C cable. Depending on your computer, you can also use the USB Type-A cable. Connect it to MAIN.

Step 5: Connect the power cable from your wall outlet to your docking station's 100~240V AC power input.

Step 6: Turn on the main power switch on the back of the unit. Turn ON / OFF each hard drive individually with the switches on the front panel.

Step 7: (Optional) Connect any USB peripherals to the USB HUB port on the back of the docking station.

NOTE:

- Always use your operating system's EJECT HARD DRIVE function before removing a disk, turning off your docking station, or opening any hard drive bay.
- This multi-bay station does NOT do RAID arrays on its own. You can still do RAID arrays via software. For instance, using Microsoft Storage Spaces.



FOR HELP, COMMENTS, QUESTIONS OR CONCERNS
PLEASE CONTACT OUR TECH SUPPORT TEAM VIA OUR WEBSITE

WWW.SABRENT.COM