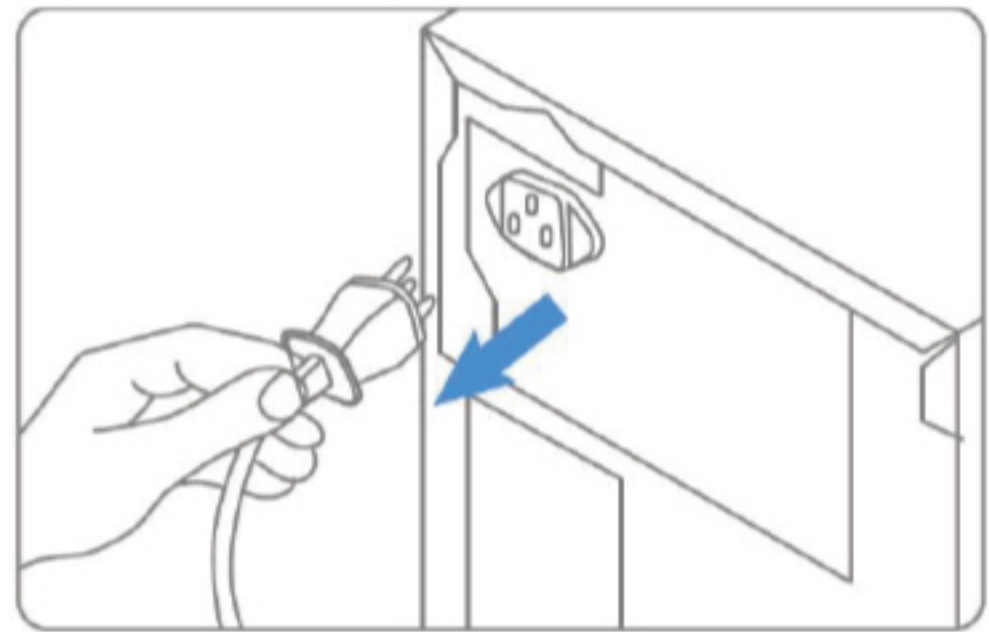
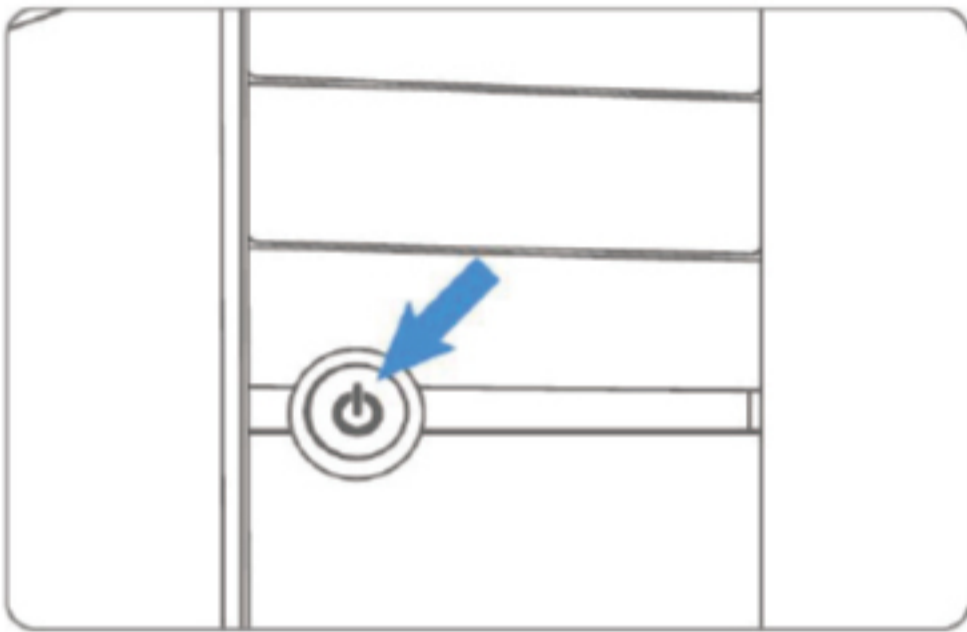


# SSD Installation Guide for Desktop Computers

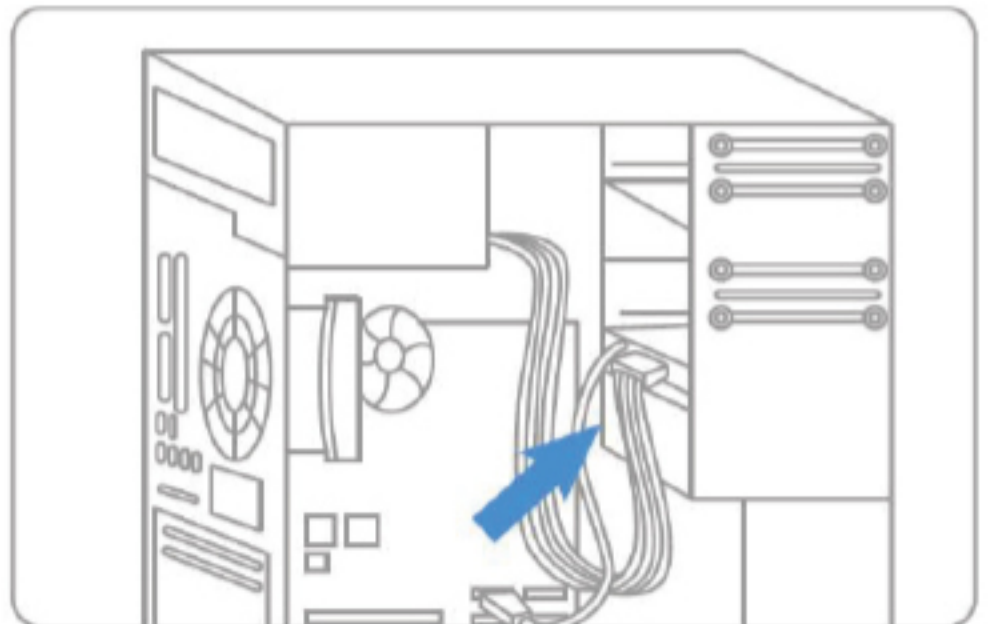
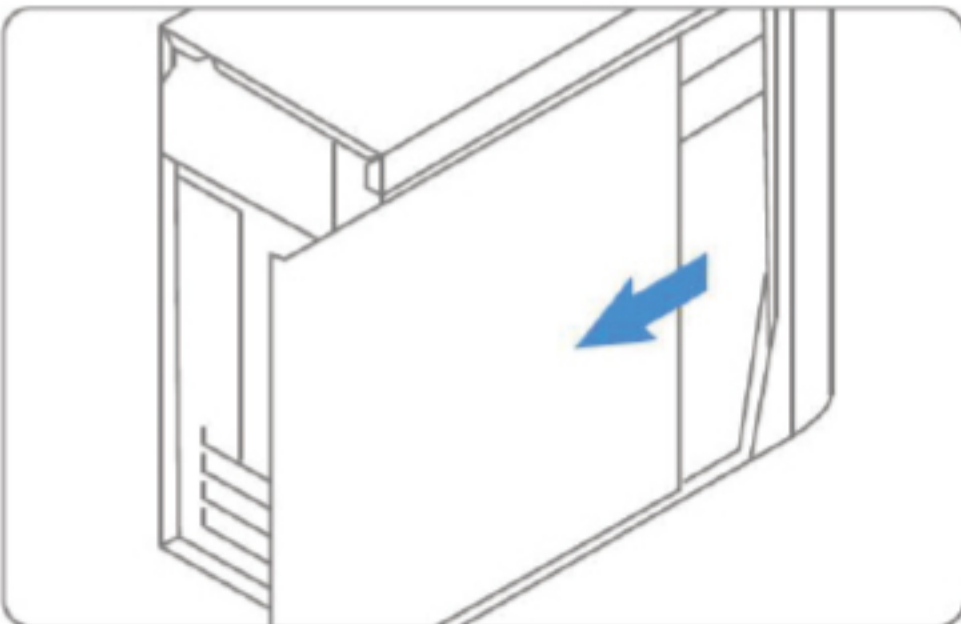
## Handling Precautions

Please ground yourself before handling the solid state drive, as electrostatic discharge (ESD) can cause damage to the drive and other computer components. It is recommended to wear an antistatic wrist strap or glove to prevent damage.

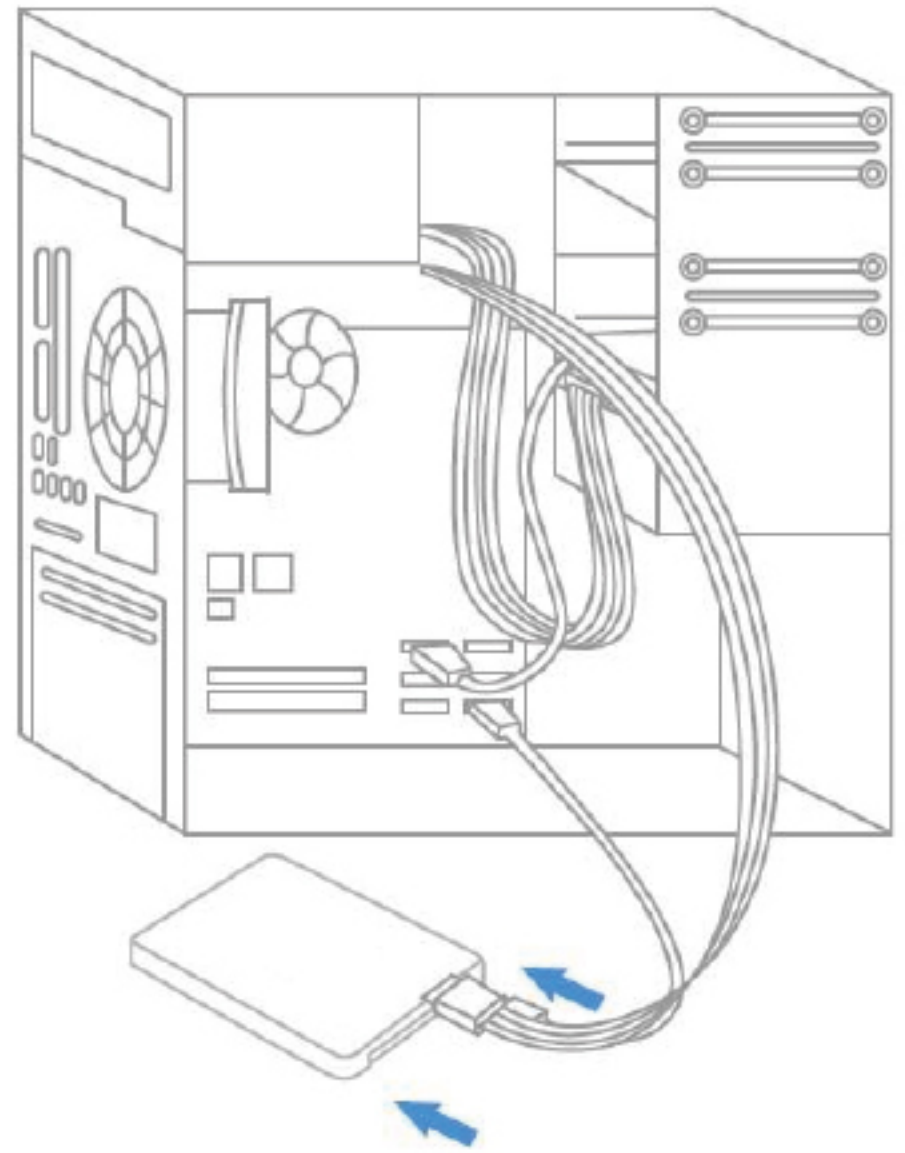
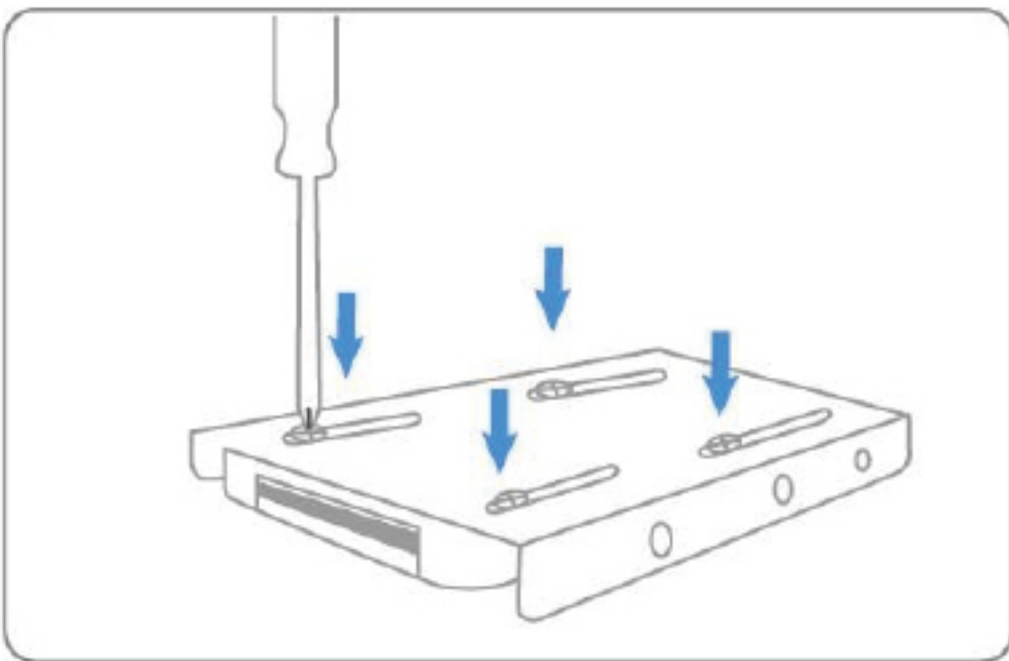
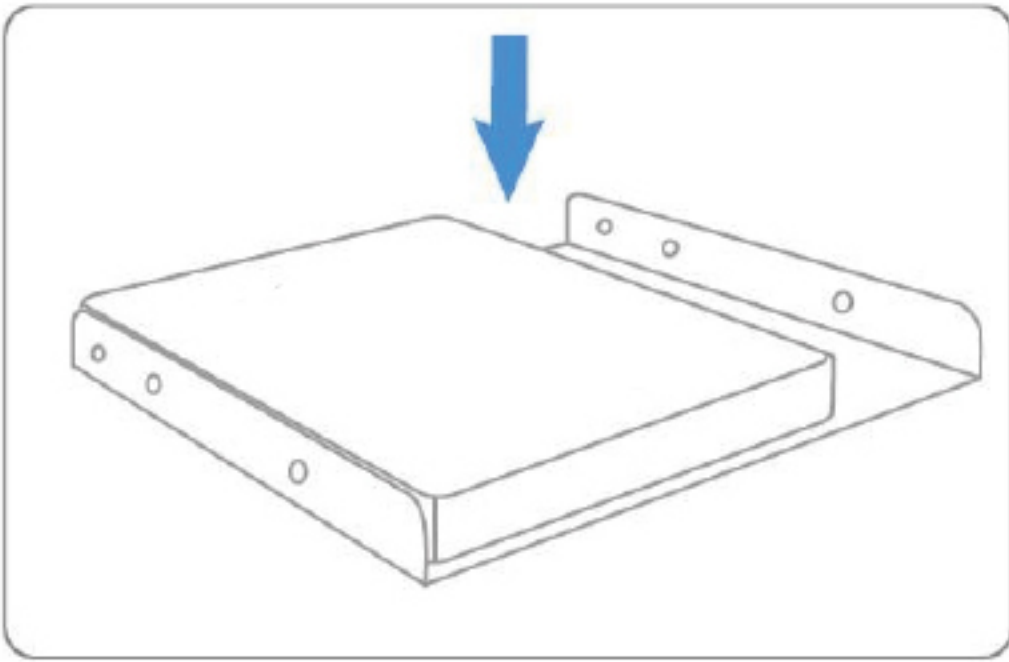
**Step 1-** Before the installation commences, be sure to shut down your computer system and disconnect the power cord.



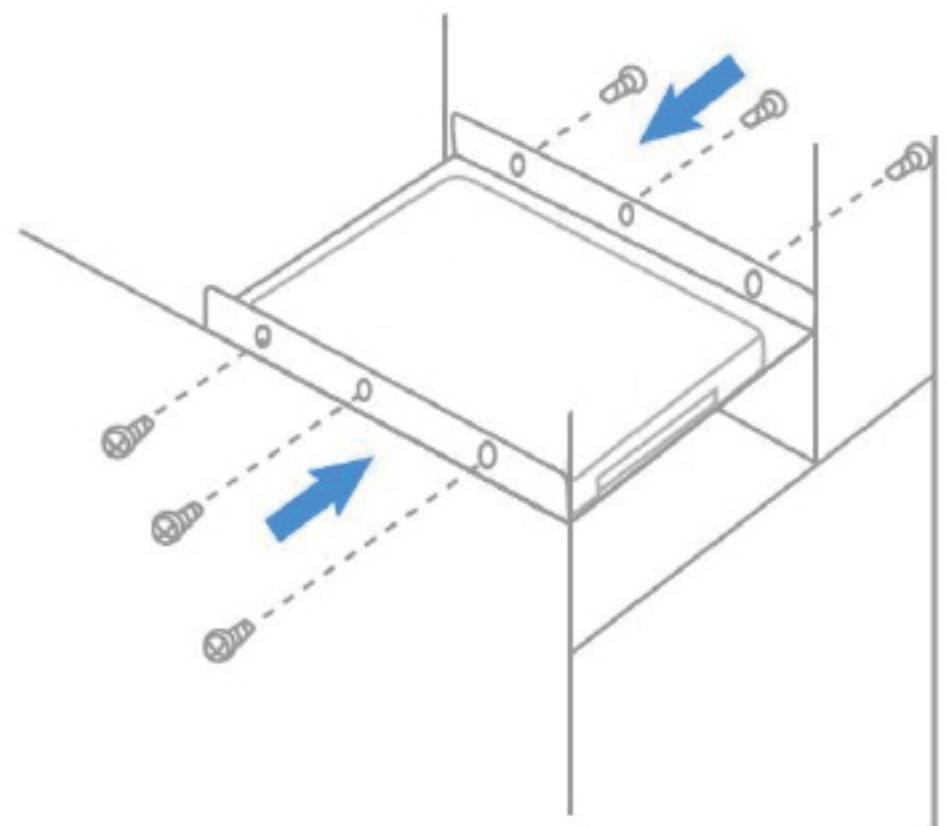
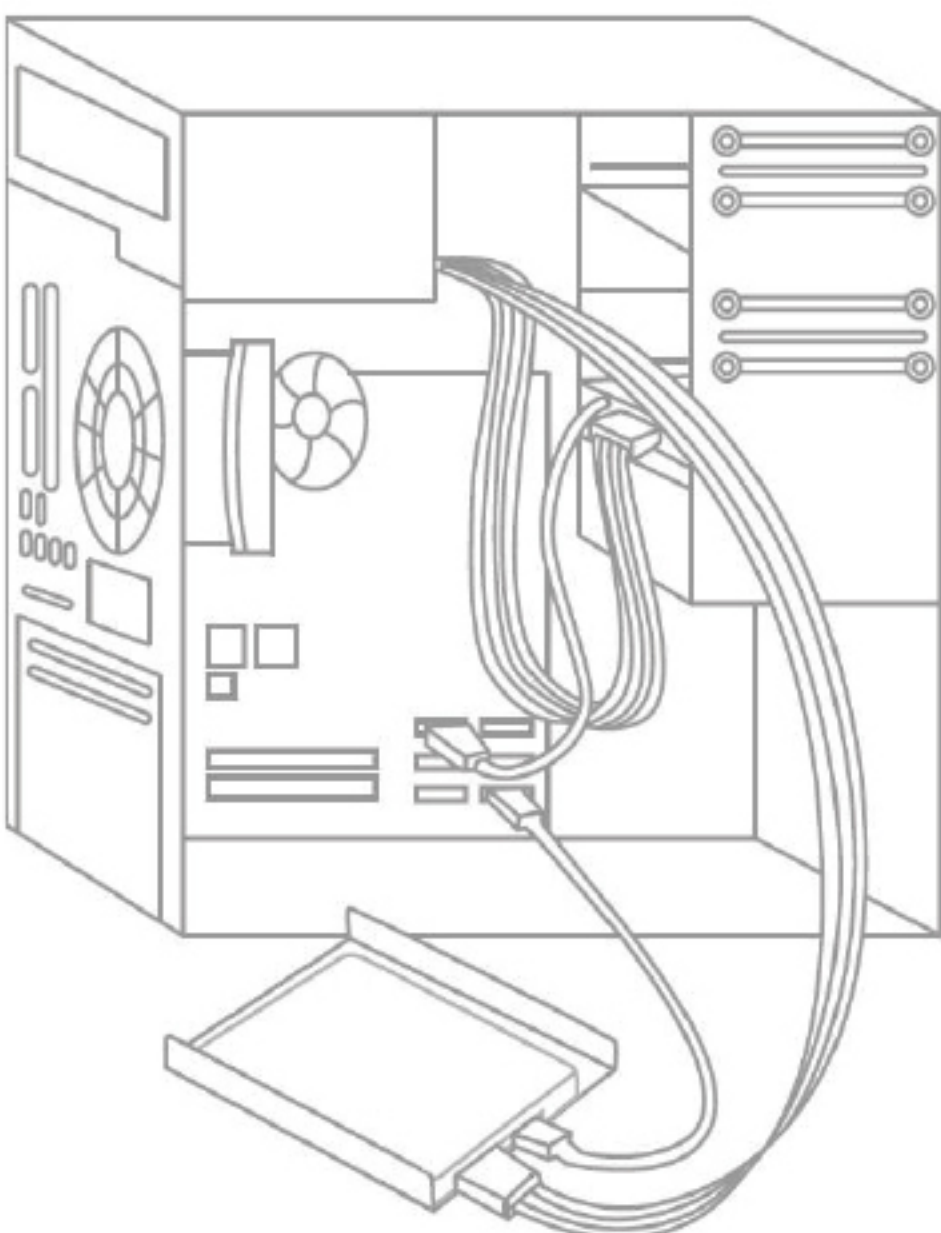
**Step 2-** Remove the computer case (refer to computer owner's manual), locate and identify the SATA connectors of your system. Refer to your computer's manual for information on how to remove the existing hard drive.



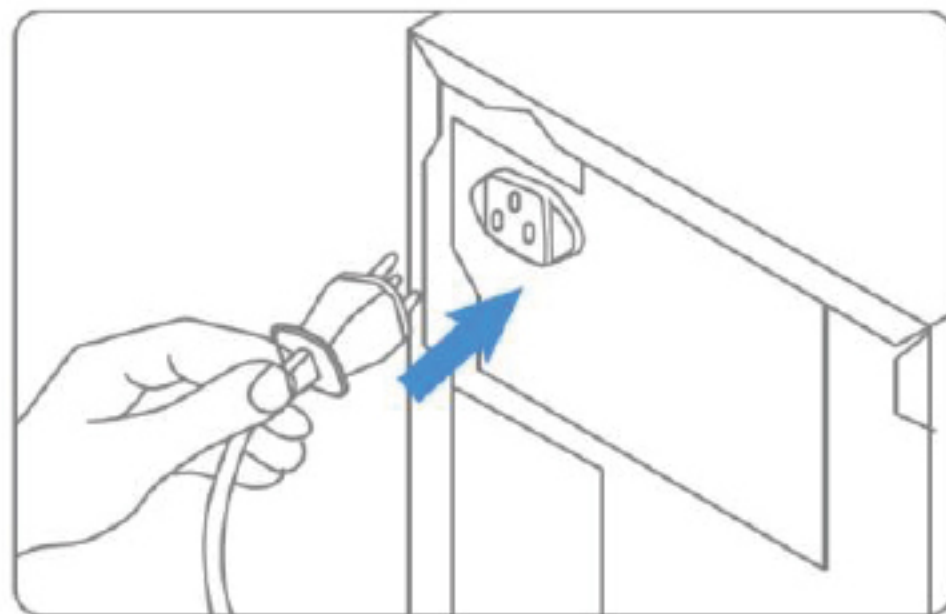
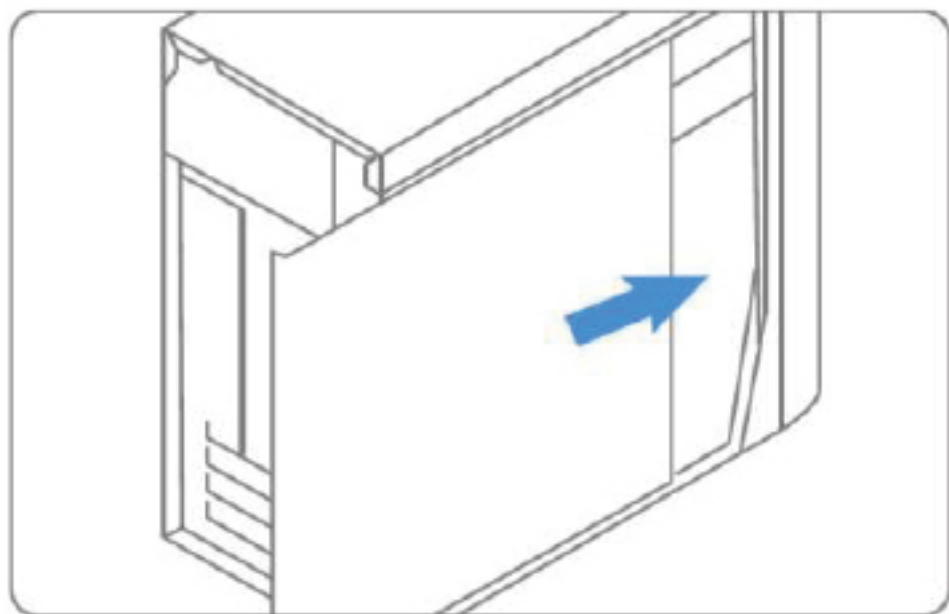
**Step 3-** SATA cables of the motherboard should be connected to the SATA data and power connectors on the solid state drive. Please be aware that the L-shaped SATA connector can only fit in one direction. Before pressing them into position, be sure to align the SATA plugs and solid state drive connectors properly.



**Step 4-** Solid state drives can be securely mounted with screws



**Step 5-** After the installation is completed, restore the case to the original position and reconnect the power.



**Step 6-** Turn on the computer to verify installation.

