

TUNERS / CASSETTE / DISC PLAYERS						RADIO EQ STACK
	MINI	STAN	DIN	ISO DIN	SINGLE DBL DIN	
CHASSIS H	1 ³ / ₄ -2	2	2	2	3 ⁷ / ₈	3
CHASSIS W	7 ¹ / ₈	7 ¹ / ₈	7 ¹ / ₈	7	7 ¹ / ₈	7 ¹ / ₈
CHASSIS D	4 ³ / ₄ -5 ¹ / ₂	5 ⁷ / ₈ -6 ¹¹ / ₁₆	5 ⁷ / ₈ -6 ¹¹ / ₁₆	5 ⁷ / ₈ -6 ¹¹ / ₁₆	5 ⁷ / ₈ -6 ¹¹ / ₁₆	5 ⁷ / ₈ -6 ¹¹ / ₁₆
NOSE H	1 ⁵ / ₈ -1 ³ / ₄	1 ⁵ / ₈ -1 ³ / ₄	2 ³ / ₈	1 ¹³ / ₁₆	3 ³ / ₄ -4	
NOSE W	4 ¹ / ₈ -4 ³ / ₁₆	4 ¹ / ₈ -4 ³ / ₁₆	7 ¹ / ₂	6 ¹¹ / ₁₆	6 ¹¹ / ₁₆ -7 ¹ / ₄	
SHAFT SP	5 ¹ / ₈ -5 ³ / ₄	5 ¹ / ₈ -6				

IN DASH APPLICATION NOTES

K ^S	K ^S	K ^S	K	K ^S	K ^S
----------------	----------------	----------------	---	----------------	----------------

APPLICATION KIT MODEL: GM1583

HARNESS ADAPTOR: GM06

ANTENNA ADAPTOR: MDA-1

IN-DASH INSTALLATION AREA DIMENSIONS

	DEPTH	MAX DEPTH	WIDTH	HEIGHT
CAVITY	6 ¹⁵ / ₃₂ "	7 ²³ / ₃₂ "	7 ¹⁹ / ₃₂ "	4 ¹¹ / ₃₂ "
DASH OPENING	TYPE: GM OVERSIZE			
DASH MATERIAL: PLASTIC			THICKNESS:	
FOR MAX DEPTH	<input checked="" type="checkbox"/> REMOVE REAR SUPPORT <input type="checkbox"/> MODIFY CAVITY			

AMPLIFIER/EQ MOUNTING LOCATIONS (WxHxD)

UNDER/IN DASH	UNDER SEAT	GLOVE BOX	TRUNK/CARGO
4 x 2 ¹ / ₂ x 6"	12 x 4 x 6"	8 ⁷ / ₈ x 4 x 5 ¹ / ₂ "	Various

Dimensions shown are inches.
For inch/mm conversions refer to chart section.

UPDATED THROUGH
2001
2002
2003
2004

CHEVROLET 2000-UP MONTE CARLO

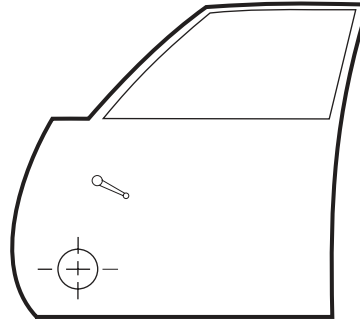
2 Door Coupe

FRONT DOORS

Factory Provisions: 6¹/₂" 4-hole pin-cushion driver in factory adapter and 1¹/₄" tweeter in factory adapter.

Aftermarket: 5¹/₄"K^S, 6¹/₂"K^S

K^S=SAC656/SAU56



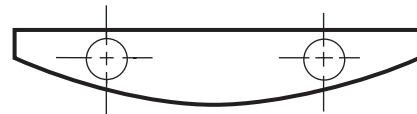
CAVITY W H D
7 x 6¹/₂ x 2" (precut in steel)
7⁵/₁₆ x 7⁵/₁₆ x 2³/₈" (factory adapter)

REAR DECK - SEDAN

Factory Provisions: 6 x 9" mounted in a factory adapter

Aftermarket: 5¹/₄" K^S, 6¹/₂" K^S, 6 x 9"

K^S=SA69



CAVITY W H D
6 x 8³/₄ x 19¹/₂" (factory adapter)



DASH.

- B = BACK UP PLATES REQUIRED.
- C¹ = CUT TRIM/PLASTIC (STRUCTURE).
- C² = CUT STEEL.
- D = BELOW DECK ONLY.
- D¹ = LIFT PORTION OF DECK. (MAY REQUIRE STRUCTURAL REINFORCEMENT).
- D² = CUT STEEL WHEN TOP MOUNTED. DO NOT IF BELOW DECK.
- D³ = NARROW SURFACE, BELOW DECK ONLY.
- F¹ = MINIMUM MODIFICATION FILE SHAFT HOLES OR DASH OPENING.
- F² = MODIFY DASH CAVITY AND/OR PANEL.
- K = INSTALLATION KIT, SPACER OR ADAPTOR REQUIRED.
- K¹ = KIT MODIFICATIONS REQUIRED.
- K² = EXTENSION KIT RECOMMENDED.
- K³ = WHEN EQUIPPED WITH FACTORY "ELECTRONIC" RADIO.
- K⁴ = FABRICATE PANEL/BRACKETS.

- K^S = WHEN EQUIPPED WITH STANDARD TWO SHAFT RADIO/TAPE PLAYER. FABRICATE KIT WHEN EQUIPPED WITH FLAT FACE ELECTRONIC RADIO/TAPE PLAYER.
- K^S = SCOSCHE KIT RECOMMENDED.
- N = NOT RECOMMENDED. EXTENSIVE MODIFICATION REQUIRED.
- P = PERFECT WITHOUT MODIFICATION.
- P¹ = MODIFY OR REMOVE POCKETS.
- P² = COIN POCKET LOCATION IN DASH (MAY REQUIRE TRIM KIT).
- P³ = PERFECT WHEN EQUIPPED WITH STANDARD TWO SHAFT RADIO, K WITHOUT.
- R = REAR LOAD ISOMOUNT.
- U = UNDERDASH.
- W¹ = WITH POWER WINDOWS ONLY.
- W² = WITHOUT POWER WINDOWS ONLY.

NOTE: THIS MANUAL IS BASED ON CAREFULLY DOCUMENTED RESEARCH. ABSOLUTE ACCURACY IS ATTEMPTED BUT NOT GUARANTEED. USE THIS MANUAL AS A REFERENCE GUIDE. SCOSCHE, INC. CANNOT BE RESPONSIBLE FOR INCONSISTENCIES THAT MAY OCCUR.

2000-UP CHEVROLET MONTE CARLO

2 DOOR COUPE



DASH.



STANDARD DOOR.

PRELIMINARY: DISCONNECT THE NEGATIVE BATTERY CABLE.

ANTENNA: THE FACTORY ANTENNA IS LOCATED IN THE GLASS OF THE REAR WINDOW.

RADIO REMOVAL AND IN-DASH INSTALLATION:

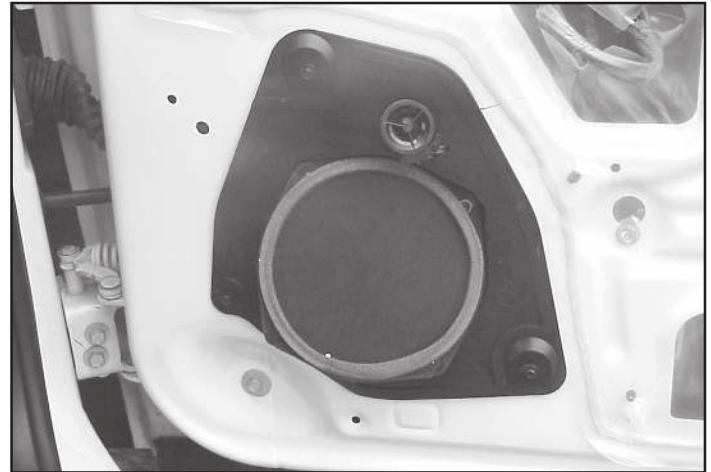
NOTE: THE FACTORY RADIO PROVISION IS FOR A GM OVERSIZED RADIO. AN INSTALLATION KIT IS RECOMMENDED FOR AFTER-MARKET INSTALLATIONS.

1. EXTRACT (1) PHILLIPS HEAD SCREW FROM GLOVE BOX.
2. REMOVE CYLINDER COVER FROM AROUND IGNITION KEYHOLE.
3. EXTRACT (2) PHILLIPS HEAD SCREWS FROM BENEATH STEERING COLUMN PLATE, AND REMOVE COVER.
4. REMOVE FUSE ACCESS COVER AND REMOVE (1) PHILLIPS HEAD SCREW FROM BEHIND.
5. ADJUST STEERING WHEEL COLUMN DOWN AND REMOVE DASH TRIM BEZEL. DISCONNECT HAZARD SWITCH AND REMOVE PANEL.

FRONT DOOR SPEAKER INSTALLATION:

NOTE: THE FACTORY SPEAKER PROVISION IS FOR A 6 1/2" 4-HOLE PINCUSHION DRIVER WITH A 1 1/4" TWEETER MOUNTED DIRECTLY ABOVE IN FACTORY SPEAKER ADAPTER. AN ADAPTER IS REQUIRED FOR AFTERMARKET SPEAKER INSTALLATIONS.

1. EXTRACT (2) # 30 TORX SCREWS FROM DOOR ARMREST.
2. REMOVE (3) PUSH PIN STYLE FASTENERS AT THE BACK EDGE OF THE DOOR PANEL.
3. USING PANEL REMOVAL TOOL, UNSNAP DOOR PANEL, LIFT AWAY, DISCONNECT, AND REMOVE.
4. EXTRACT (4) T15 TORX SCREWS FROM SPEAKER, DISCONNECT AND REMOVE.

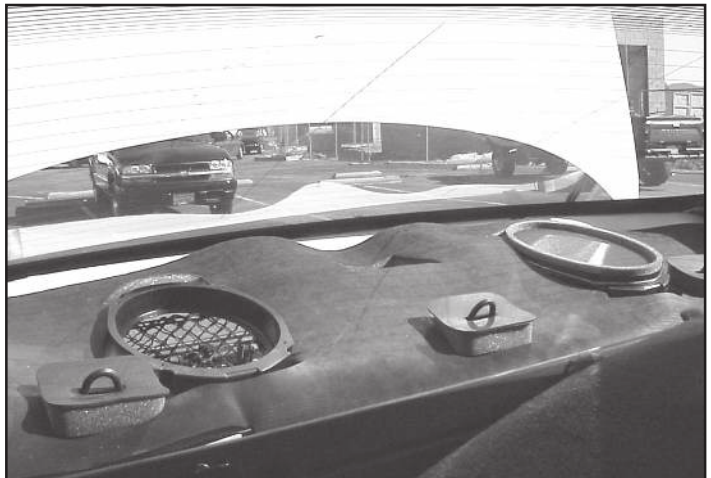


FRONT DOOR.

REAR DECK SPEAKER INSTALLATION:

NOTE: THE FACTORY SPEAKER PROVISION IS FOR A STANDARD 6 X 9" SPEAKER MOUNTED IN A FACTORY SPEAKER ADAPTER. AN ADAPTER IS REQUIRED FOR AFTERMARKET 5 1/4" OR 6 1/2" SPEAKER INSTALLATIONS. WE RECOMMEND THE USE OF A SCOSCHE SA69 SPEAKER ADAPTER.

1. FOLD BOTH REAR SEATS DOWN. EXTRACT (4) 10 MM SCREWS FROM BEHIND SEAT CUSHION.
2. FOLD SEAT UP AND REMOVE BOTTOM SEAT CUSHION BY PRESSING DOWN ON FRONT OF CUSHION AND THEN PULL UP. EXTRACT (2) 10 MM BOLTS HOLDING UPPER SEAT CUSHION, AND REMOVE.
3. USING PANEL REMOVAL TOOL EXTRACT (3) PLASTIC FASTENERS HOLDING FRONT OF REAR DECK, PULL UPWARDS AND REMOVE.
4. EXTRACT (4) PHILLIPS HEAD SCREWS FROM SPEAKER, DISCONNECT AND REMOVE.



REAR DECK.