



MAGICMOUNT™ TRAVEL

Folding 2-in-1 Wireless
Charging Travel Stand

Support de recharge sans fil
2-en-1 pour les voyages

Soporte de viaje plegable
con carga inalámbrica 2 en 1



INCLUDED ELEMENTS

(1) MagicMount™ Travel

(1) 4 ft. Premium Braided USB-C* Cable with Right-Angle (Device) Connector

Câble de recharge tressé USB-C* de 1,3 m (4 pi) avec connecteur à angle droit (pour appareil)

Cable USB-C* trenzado premium de 1,3m (4 pies) con conector en ángulo recto (al dispositivo)

***Important Note:** Requires 20W+ USB-C Wall Charger (not included)

***Remarque importante :** Nécessite un chargeur mural USB-C de 20 watts ou plus (non-compris)

***Nota importante:** Requiere cargador de pared USB-C de más de 20 W (no incluido)

DEVICE SETUP

SECTION A - Overview

Aperçu / Reseña genera

SECTION B - Charging Stand Configurations

Configurations du support de recharge / Configuraciones de soporte de carga

SECTION A

A. MagSafe® Compatible Charger for iPhone 12 and Later

Chargeur compatible MagSafe^{MD}
pour iPhone 12 et de version ultérieure

Cargador compatible con MagSafe[®]
para iPhone 12 y posteriores

B. USB-C Port

Port USB-C

Puerto USB-C

C. Wireless Charging Pad for AirPods® Charging Case or Additional Wireless Device

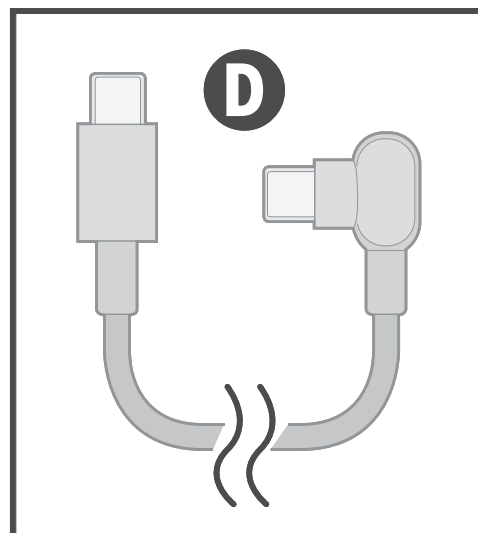
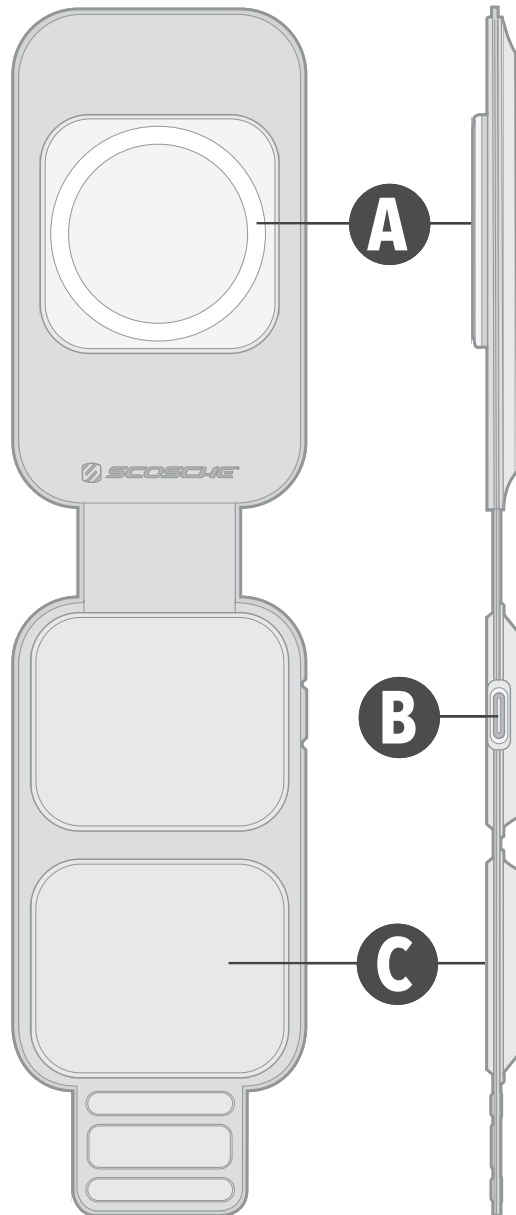
Plaquette de recharge sans fil pour coffret
de recharge d'AirPod^{MD} ou pour appareil
sans fil additionnel

Almohadilla de carga inalámbrica para el
estuche cargador de AirPods[®] o un dispositivo
inalámbrico adicional

D. USB-C Cable (4 ft.)

Câble USB-C de 1,3m (4 pi)

Cable USB-C de 1,3m (4 pies)



SECTION B

Charging Stand Configurations

Note: Use the included USB-C cable (see inset) to connect to a 20W or greater USB-C charger (charger not included).

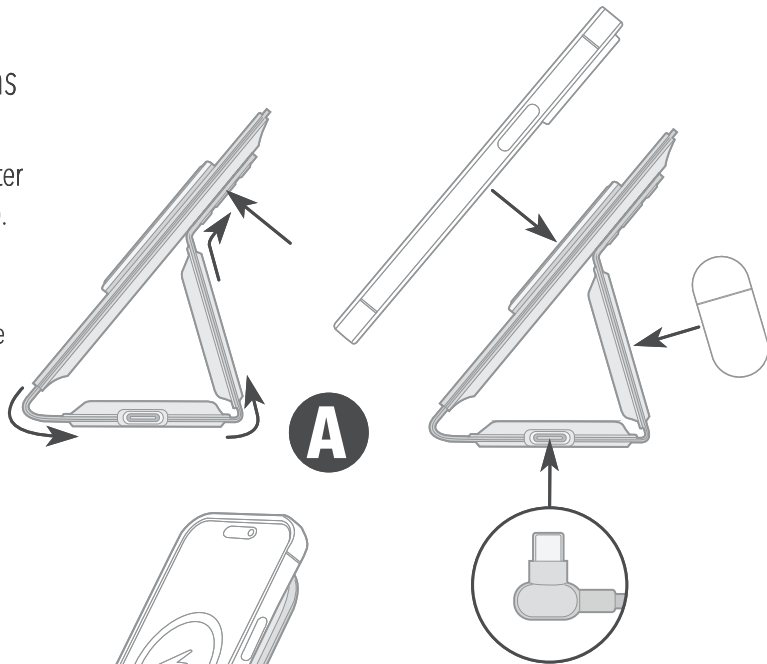
A. Upright Folded Charging Stand
(iPhone + AirPods*)

*Upright charging requires AirPods Pro case with MagSafe (October 2021 & later).

B. Flat Folded Charging Pad
(iPhone only)

C. Flat Unfolded Charging Pad
(iPhone + AirPods Case**)

**AirPods case with MagSafe not required.



Configurations du support de recharge

Remarque : Utiliser le câble USB-C inclus (voir l'encart) pour connecter un chargeur USB-C de 20 watts ou plus (chargeur non-compris).

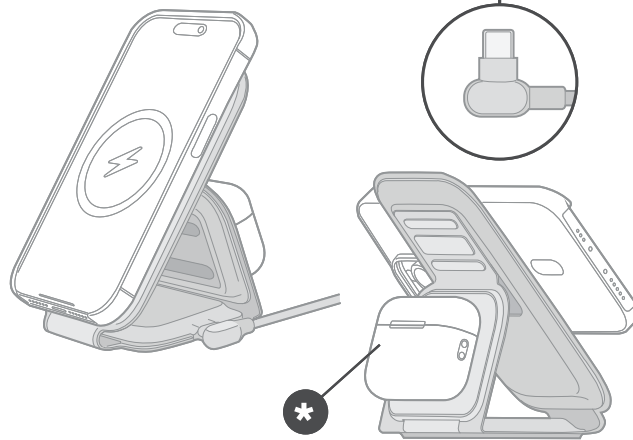
A. Support de recharge plié en position debout
(iPhone + AirPods*)

*La recharge en mode debout exige un étui AirPods Pro compatible MagSafe (octobre 2021 et versions ultérieures).

B. Plaquette de recharge repliée
(iPhone seulement)

C. Plaquette de recharge dépliée
(iPhone + étui d'AirPod**)

**Étui d'AirPod compatible MagSafe non requis.



Configuraciones de soporte de carga

Nota: Use el cable USB-C incluido (ver recuadro) para conectarlo a un cargador USB-C de 20 W o más (cargador no incluido).

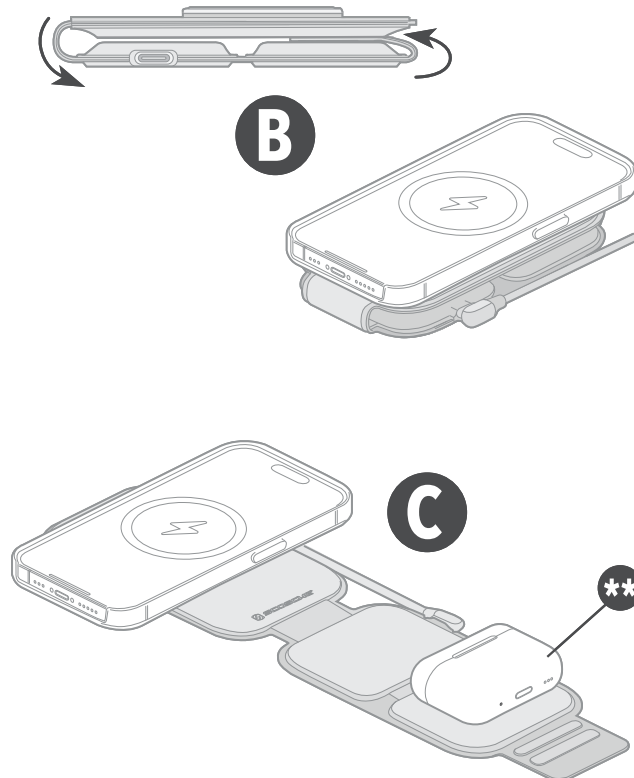
A. Soporte de carga plegado en posición vertical
(iPhone + AirPods*)

*La carga vertical requiere el estuche AirPods Pro con MagSafe (octubre de 2021 en adelante).

B. Almohadilla de carga plegada plana
(solo iPhone)

C. Almohadilla de carga plana desplegada
(iPhone + funda de AirPods**)

**No requiere estuche AirPods con MagSafe.



SPECIFICATIONS

USB-C Input: 9V $\overline{=}$ 2.22A, 20W

Wireless Output 1: 10W Max.

Wireless Output 2: 5W Max.

SPÉCIFICATIONS

Entrée USB-C : 9V $\overline{=}$ 2,22 A, 20 W

Sortie sans fil 1 : 10 W maximum

Sortie sans fil 2 : 5 W maximum

ESPECIFICACIONES

Entrada USB-C: 9V $\overline{=}$ 2,22A, 20W

Salida inalámbrico 1: 10W máximo

Salida inalámbrico 2: 5W máximo

FCC Compliance Statement

This device complies with part 15 of the FCC Rules. Operation is subject to the following two conditions: (1) This device may not cause harmful interference, and (2) this device must accept any interference received, including interference that may cause undesired operation.

Warning: changes or modifications to this product not expressly approved by the party responsible for compliance could void the user's authority to operate the equipment.

This equipment has been tested and found to comply with the limits for a Class B digital device, pursuant to part 15 of the FCC Rules. These limits are designed to provide reasonable protection against harmful interference in a residential installation. This equipment generates, uses and can radiate radio frequency energy and, if not installed and used in accordance with the instructions, may cause harmful interference to radio communications. However, there is no guarantee that interference will not occur in a particular installation.

If this equipment does cause harmful interference to radio or television reception, which can be determined by turning the equipment off and on, the user is encouraged to try to correct the interference by one or more of the following measures:

- Reorient or relocate the receiving antenna.
- Increase the separation between the equipment and receiver.
- Connect the equipment into an outlet on a circuit different from that to which the receiver is connected.
- Consult the dealer or an experienced radio/TV technician for help.

This equipment complies with FCC radiation exposure limits set forth for an uncontrolled environment. This equipment should be installed and operated with minimum distance 20cm between the radiator and your body. This transmitter must not be co-located or operating in conjunction with any other antenna or transmitter.

Canadian Compliance Statement

This device contains licence-exempt transmitter(s)/receiver(s) that comply with Innovation, Science and Economic Development Canada's licence-exempt RSS(s). Operation is subject to the following two conditions: (1) This device may not cause interference.(2) This device must accept any interference, including interference that may cause undesired operation of the device.

This equipment complies with IC RSS-102 radiation exposure limits set forth for an uncontrolled environment. This equipment should be installed and operated with minimum distance 20 cm between the radiator and your body. This transmitter must not be co-located or operating in conjunction with any other antenna or transmitter.

MagicMount *Travel* How-To Video...



Scosche Industries
1550 Pacific Avenue
Oxnard, California 93033
Phone: 800-363-4490 x1 / 805-486-4450 x1

www.scosche.com

©2023 Scosche Industries

Scosche & MagicMount are trademarks of Scosche Industries.
Other marks or brands are the property of their respective owners.
Devices and or appearance may vary.

Designed in Oxnard, California

SI **MSQFG2N1** 6/23