



MAGICMOUNT™ PRO²
EXTENDO

INCLUDED ELEMENTS

(EN)

A. MagicMount™ Pro2
Mount Head

B. Telescoping Window/
Dash Mount

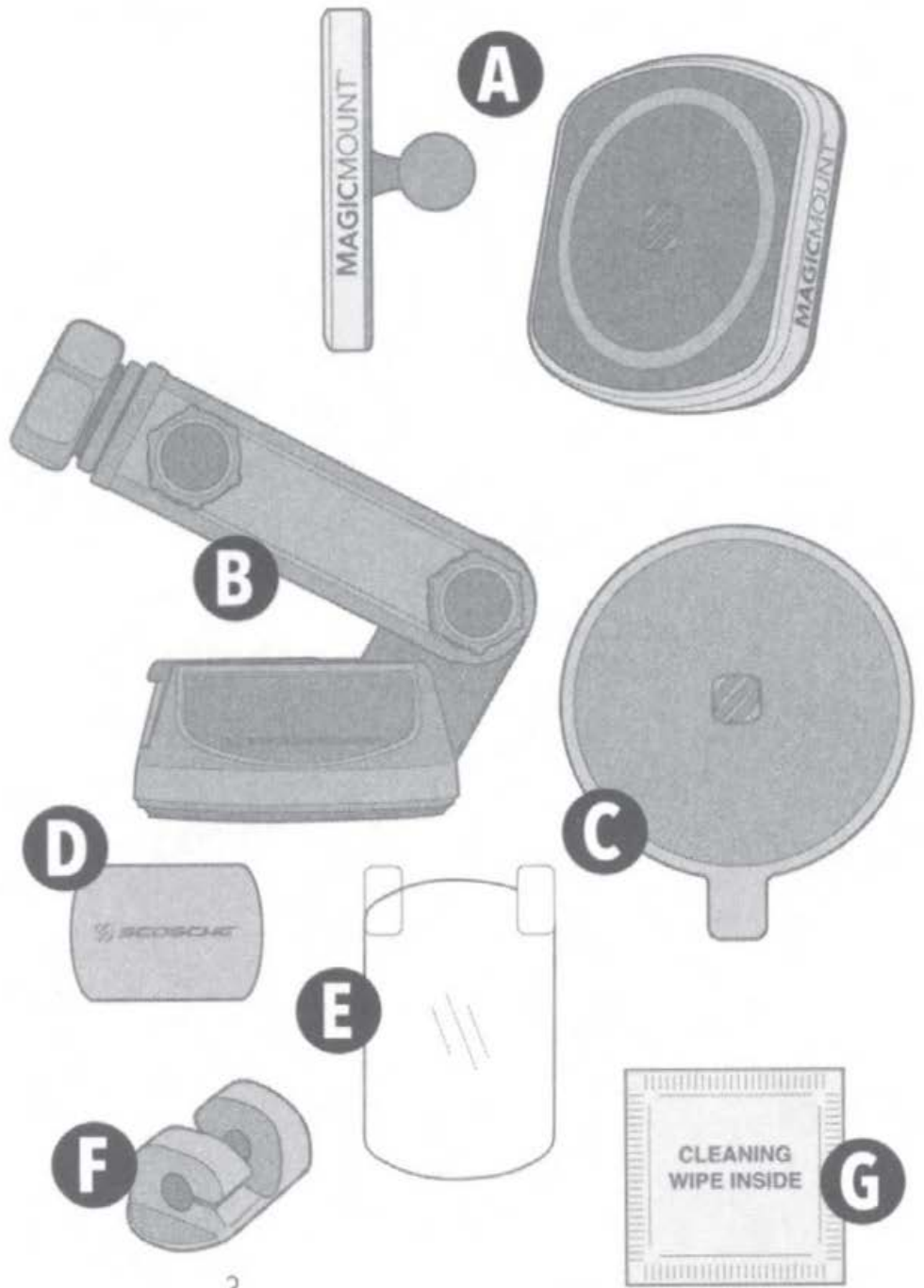
C. StickGrip™
Mounting Base

D. MagicPlate™

E. Protective Film

F. Cable Routing Clip*
*For your phone's charge cable
(cable not included)

G. Cleaning Wipe



(EN)

DEVICE SETUP

SECTION **A** - iPhone® 12 or Later (with optional MagSafe™ Case)

SECTION **B** - Wireless Charging Smartphones (with Case)
iPhone® 11 / Pixel 4 & Newer (Case Required)
Wireless Charging Smartphones (without Case)

SECTION **C** - Mount Head Assembly & Adjustment

SECTION **D** - Telescoping Arm Adjustment

SECTION **E** - Window/Dash Mount

SECTION A

(EN)

MagSafe Case

iPhone 12 or Later
(with optional MagSafe Case)
If using a case, it must be a MagSafe case (not included) for MagicMount Pro2 to function properly.
Note: MagicPlate not required.



iPhone 12 or Later (without Case)
Note: MagicPlate not required.

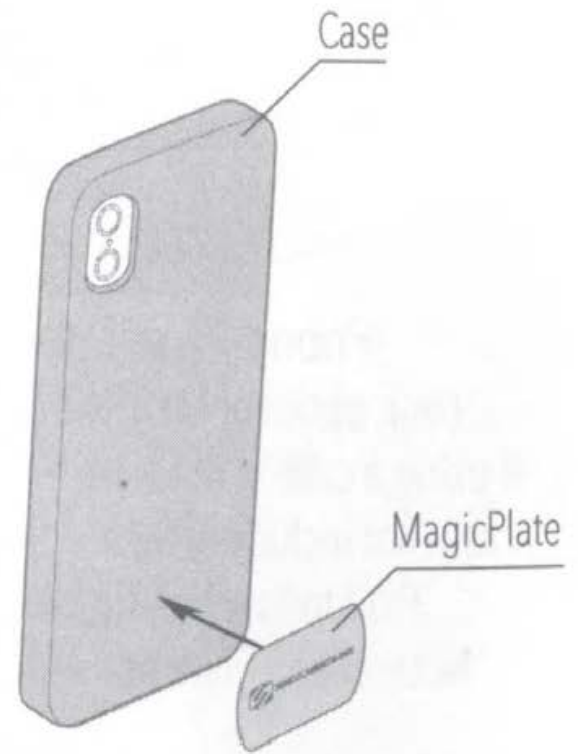


(EN)

SECTION B

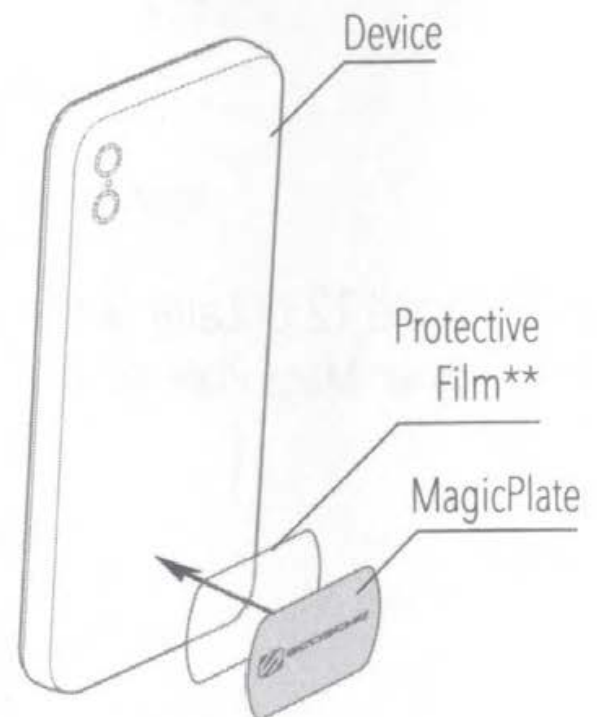
Wireless Charging Smartphones (with Case)
iPhone 11/ Pixel 4 and Newer (Case required*)

***Manufacturing materials do not allow adhesives to bond directly to the device.**



Wireless Charging Smartphones (without Case**)

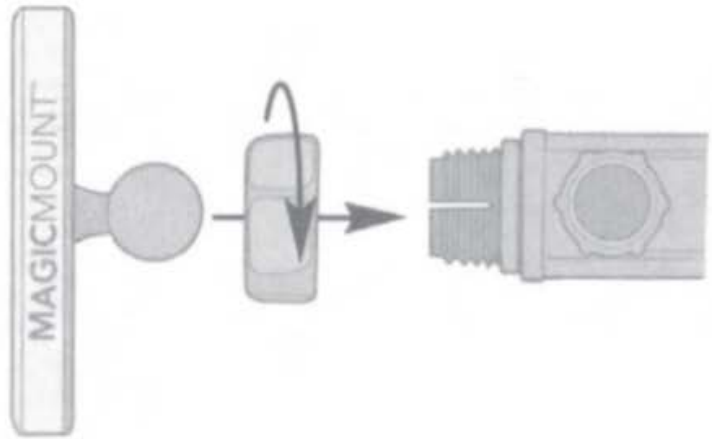
** It is recommended to use the Protective Film. If the MagicPlate needs to be removed, the film simplifies the process. To remove the MagicPlate use a credit card and slide in between the film and MagicPlate. Do NOT use anything sharp/hard as this can damage the device.



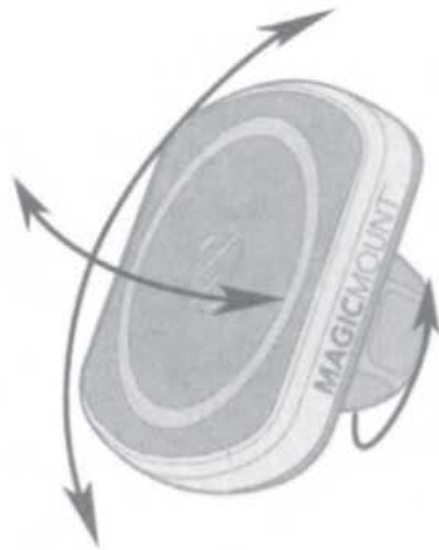
SECTION C

(EN)

Mount Head
Assembly

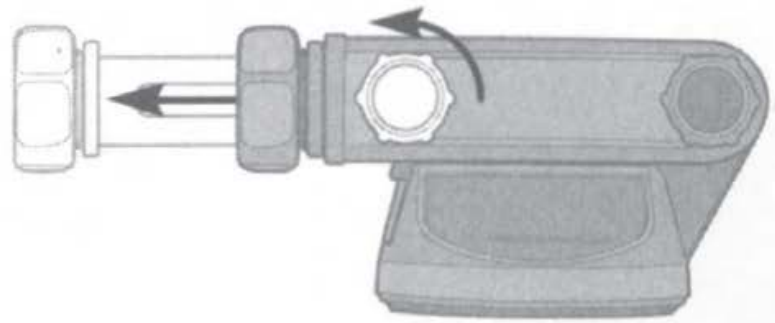


Mount Head
Adjustment
Loosen ball-joint collar
to adjust angle
or rotate mount 360°



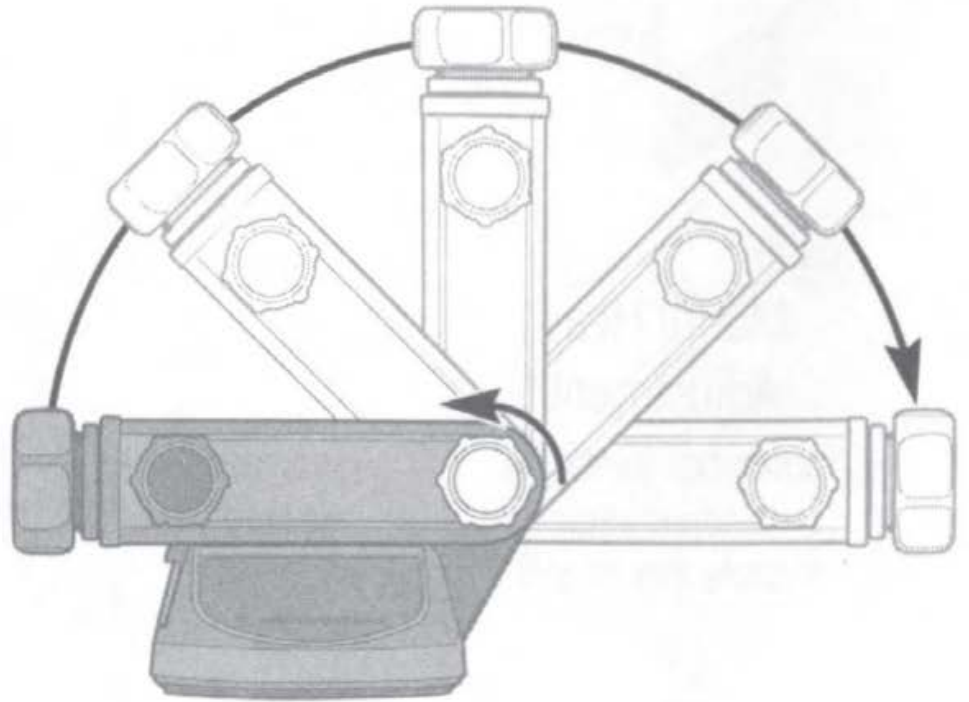
(EN)

SECTION D



Telescoping Arm Adjustment

Loosen front knob to extend
telescoping arm. Loosen rear
knob to adjust angle of arm.

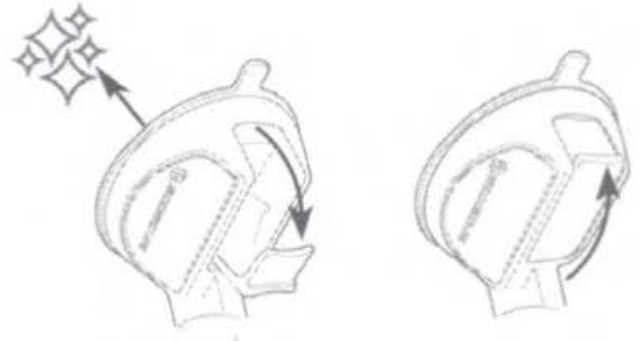


SECTION E

(EN)

Window Mount

1. Clean the window surface.
2. With the lever in the UP position, place the mount on window and press lever down to lock in place.



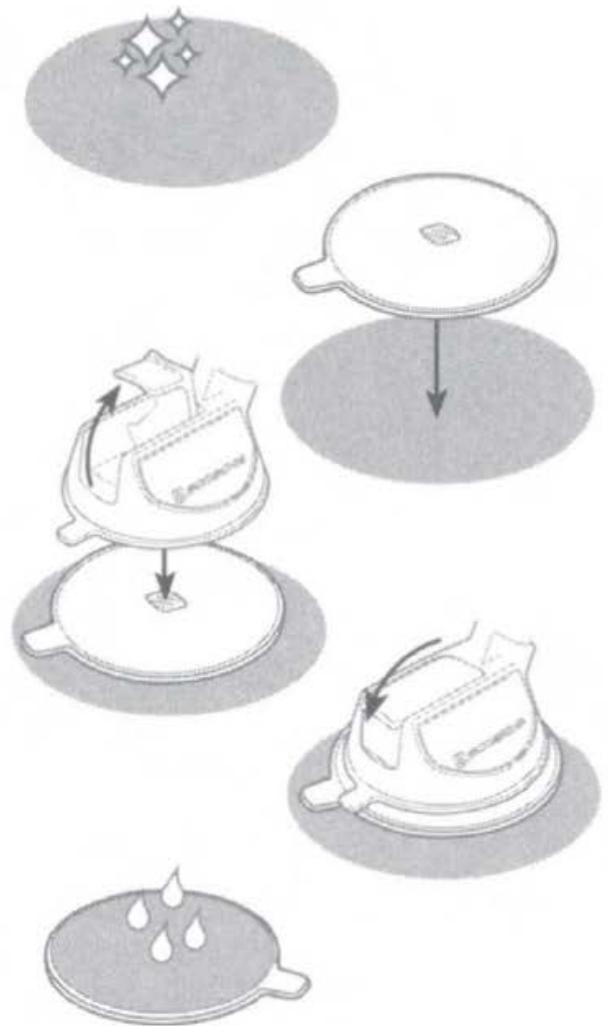
StickGrip Dash Mount

1. Select a flat surface and clean using supplied wipe*.
2. Remove protective film from the StickGrip mounting base**. Place mounting base on surface and press firmly.
3. With the lever in the UP position, place the mount on the mounting base, and press lever down to lock in place.

*Supplied cleaning wipe may cause discoloration of certain plastics, vinyls and painted surfaces. It is recommended to test in an inconspicuous area first.

**Note: StickGrip may leave residue or discoloration on some surfaces. It may also leave a ring of residue when mounted to the dash.

4. To renew and reuse StickGrip mounting base, rinse under warm water and allow to air dry.



(EN)

MagicMount *Pro2*



Scosche Industries
1550 Pacific Avenue
Oxnard, California 93033
Phone: 800-363-4490 x1 / 805-486-4450 x1

www.scosche.com

©2022 Scosche Industries

Scosche, MagicMount, MagicPlate, StickGrip are all trademarks of Scosche Industries.
Other marks or brands are the property of their respective owners.
Devices and or appearance may vary.

Designed in Oxnard, California

SI **MP2WDEX2** 4/22