

Commissioning

- Attach product to mounting brackets by pushing until securely held.
- Replace fuse or circuit breaker and switch on. Your light is now ready for use.

Fitting/replacing bulbs


- The LED module in this product is non replaceable.

Fitting/replacing bulbs

We recommend cleaning with a soft dry cloth.

Do not use solvents or abrasive cleaners as these could damage the finish.

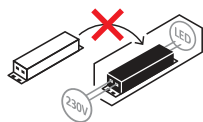
Recycling advice

 Waste electrical products should not be disposed of with household waste. Please recycle where facilities exist. Check with your Local Authority or retailer for recycling advice.

Safety information

For your safety, always switch off the mains supply before adjusting or cleaning.

The LED module is protected by a shade. The shade provides IP65 protection and cannot be replaced, if the shade becomes cracked or damaged, this light fitting must be discarded.



Non-replaceable control gear



Non-replaceable light source

Light source and control gear cannot be replaced due to the IP protection becoming compromised.

This product contains a light source of energy efficiency class F.

UK Manufacturer:

Kingfisher International Products Limited,
3 Sheldon Square, London, W2 6PX,
United Kingdom.

EU Manufacturer:

Kingfisher International Products B.V.
Rapenburgerstraat 175E,
1011 VM Amsterdam, The Netherlands.

03/11/2021

Reeve 5ft Outdoor Batten

146PP



Thank you for purchasing this light fitting. Please read the instructions carefully before use to ensure safe and satisfactory operation of this product. Please retain these instructions for future reference.

Warning



This light fitting is Double Insulated and does not require connection to an Earth circuit.

Please read these instructions carefully before commencing any work.

This unit must be fitted by a competent and qualified electrician.

Install in accordance with IEE Wiring regulations and current Building Regulations.

To prevent electrocution switch off at mains supply before installing or maintaining this fitting. Ensure other persons cannot restore the electrical supply without your knowledge. If you are in any doubt, please consult a qualified electrician.

This light fitting should be connected to a circuit with a 30mA RCD fitted.

If replacing an existing fitting, make a careful note of the connections.

Waste electrical products should not be disposed of with household waste. Please recycle where facilities exist. Check with your local authority or retailer for recycling advice.

This product is rated at IP65.

The entire unit gets hot whilst on for a period of time.

Specification

Voltage: 240V 50Hz a.c.

Lamp: 45W LED Module - 4050lm

IP rating: 65

Supplied cable: H05RN-F

Layout

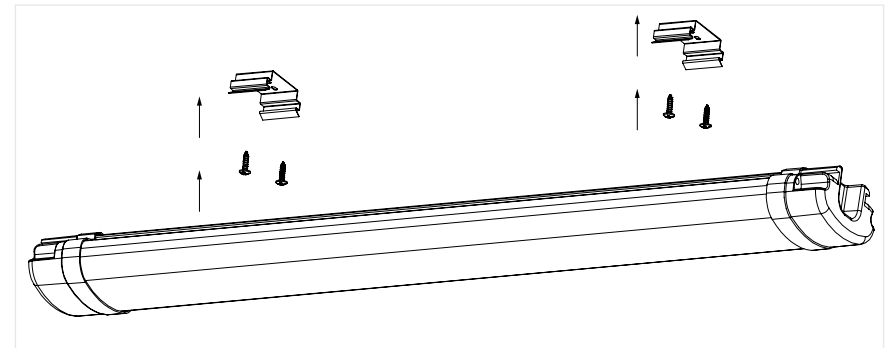
- Plan the desired layout of this fitting carefully, ensuring the cables will reach the distance between the junction box and the light fitting.
- Avoid locating any cables in positions that would cause a hazard. Position cables and outdoor rated junction boxes (not supplied) away from areas where they may be at risk from being cut, trapped or damaged.
- This product is fitted with 1.5m of H05RN-F specification cable which is an outdoor grade, rubber sheathed cable. The mains supply cable must have a minimum cross sectional area of 1.0mm²
- Cables must be protected using suitable conduit or plastic trunking.

Installation

Existing fittings must be completely removed before installation of a new product. Before removing the existing fitting, **carefully note the position of each set of wires**.

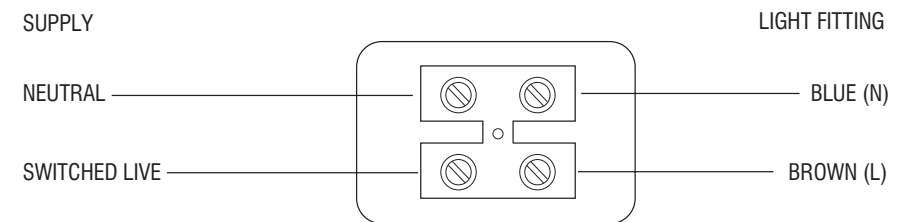
- Refer to the diagram below. Decide on the location of the product. Measure the distance between the mounting bracket location slots & mark the location of the fixing holes on the mounting surface.

- Drill holes and fit supplied wall plugs (suitable for masonry only - for other surfaces use appropriate fixings). Fix the mounting brackets to the ceiling using the supplied fixings.
- Wire as detailed below.



Wiring

Having correctly identified the wiring from your existing light fitting, connect to the approved outdoor rated or approved double insulated terminal block in the following way:



Check that...

- You have correctly identified the wires.
- No loose strands have been left out of the connection block.
- The connections are tight.