



10.8V Ø85MM CORDLESS CIRCULAR SAW - BODY ONLY

MODEL NO: **CP108VCSBO**

Thank you for purchasing a Sealey product. Manufactured to a high standard, this product will, if used according to these instructions, and properly maintained, give you years of trouble free performance.

IMPORTANT: PLEASE READ THESE INSTRUCTIONS CAREFULLY. NOTE THE SAFE OPERATIONAL REQUIREMENTS, WARNINGS & CAUTIONS. USE THE PRODUCT CORRECTLY AND WITH CARE FOR THE PURPOSE FOR WHICH IT IS INTENDED. FAILURE TO DO SO MAY CAUSE DAMAGE AND/OR PERSONAL INJURY AND WILL INVALIDATE THE WARRANTY. KEEP THESE INSTRUCTIONS SAFE FOR FUTURE USE.



Refer to instructions



Wear eye protection



Wear protective gloves



Wear safety footwear



Wear protective clothing



Wear ear protection



Wear a mask

1. SAFETY

- WARNING!** Always work with the saw safety guard in place.
- ✓ Maintain the tool and battery in good condition. Check moving parts alignment on a regular basis.
- ✓ Replace or repair damaged parts. Use an authorised service agent and recommended parts only. Unauthorised parts may be dangerous and will invalidate the warranty.
- ✓ Ensure the tool is switched off before installing the battery pack.
- ✓ Keep the tool and charger clean for best and safest performance.
- ✓ Remove ill fitting clothing. Remove ties, watches, rings and other loose jewellery and contain long hair.
- ✓ Evaluate your working area before using the tool; e.g. ceilings, floors and enclosures may contain electrical items or water piping.
- ✓ Ensure battery pack is correctly inserted into the handle and latched in place before attempting to switch on tool.
- ✓ Check the blade to ensure that it is not split, cracked or damaged in any way. If in doubt **DO NOT** use the blade.
- ✓ Secure loose work pieces with a clamp, vice or other adequate holding device.
- ✓ Avoid unintentional starting.
- ✓ Wear approved safety eye protection (standard spectacles are not adequate).
- ✓ Maintain correct balance and footing. Ensure the floor is not slippery and wear non-skid shoes.
- ✓ Keep direction switch in the locked position until the tool is required for use.
- ✓ Keep children and unauthorised persons away from the working area.
- ✗ **DO NOT** use the tool where there are flammable liquids, solids or gases, such as paint solvents, etc.
- ✗ **DO NOT** allow children to operate the tool.
- ✗ **DO NOT** operate the tool if any parts are missing as this may cause failure and/or personal injury.
- ✗ **DO NOT** switch the saw on whilst the blade is in contact with the workpiece.
- ✗ **DO NOT** leave the tool operating unattended.
- ✗ **DO NOT** carry the tool with your finger on the power switch.
- ✗ **DO NOT** use the tool for a task it is not designed to perform.
- ✗ **DO NOT** operate the tool when you are tired or under the influence of alcohol, drugs or intoxicating medication.
- ✗ **DO NOT** get the tool or battery charger wet or use in damp or wet locations.
- ✗ **DO NOT** touch the workpiece immediately after cutting as it will be very hot.
- ✗ **DO NOT** hold unsecured work in your hand and **DO NOT** touch the saw blade whilst operating
- ✗ **DO NOT** leave the saw running unattended and **DO NOT** lay it down whilst it is running.
- ✗ **DO NOT** cover the saw air vents. To do so will overheat the machine.
- WARNING! DO NOT** use on materials containing asbestos.

2. INTRODUCTION

Compact, lightweight cordless circular saw - body only. Comfortable housing with soft grip to help reduce vibration. Supplied with 1 x wrench for removing and replacing blades. Requires compatible 10.8V 2Ah or 4Ah battery and mains charger, sold separately.

3. SPECIFICATION

Model No: CP108VCSBO
 Blade Diameter Ø85mm
 Consumable Parts
 CP108VBP 2Ah Battery (not included)
 CP108VBP4 4Ah Battery (not included)
 Cutting Depth at 90° 26mm
 Cutting Depth at 45° 17mm
 Disk Bore Size Ø15mm
 Noise Power/Pressure 88/80dB(A)
 No-load speed 1450rpm
 Replacement parts CP108VMC - mains charger
 Vibration/uncertainty 3.368/1.5m/s²

4. PREPARATION



- ❑ **WARNING:** Before fitting the battery and attempting to start the motor, ensure that the Spindle Clamp Screw (fig.1) is correctly tightened and that the saw blade is correctly mounted.

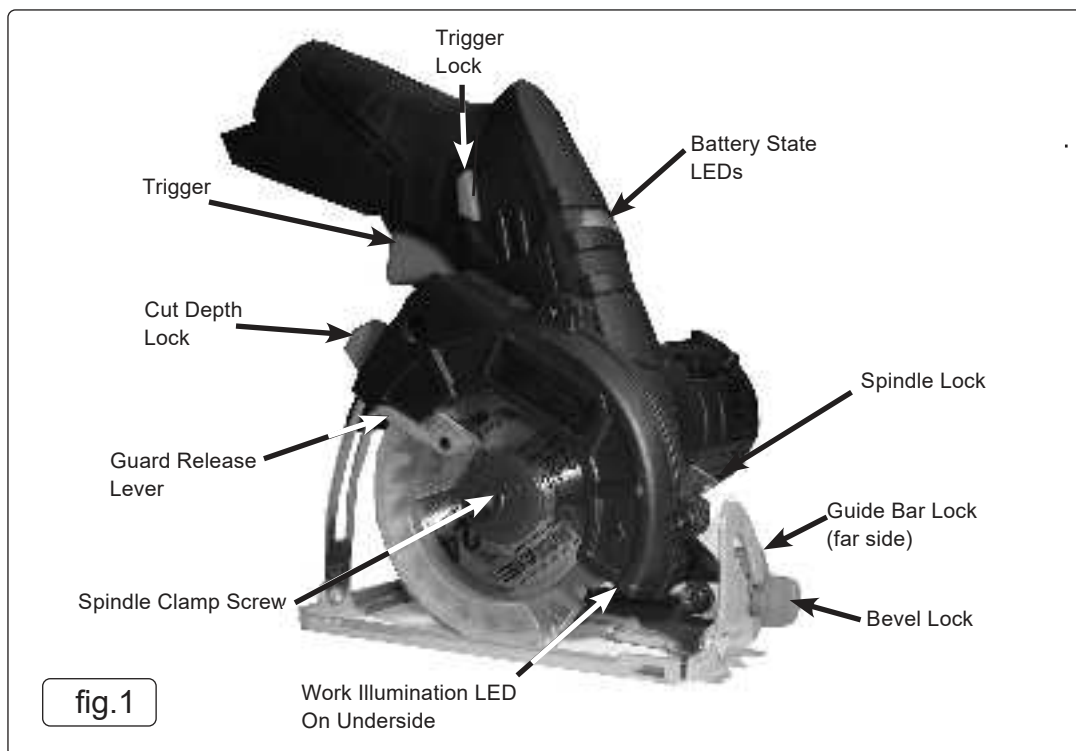
4.1. FIT BATTERY

4.2. BATTERY CHARGE STATUS TEST

4.2.1. Press trigger, all LEDs lit: battery charged, one LED lit: battery needs charging.

4.3. In order to maintain battery efficiency: **DO NOT** fully discharge. After every use fully charge the battery, charge every 4 months even if tool is not used. If a decrease of performance of the tool is noticed, charge the battery.

5. OPERATION



5.1. SETTING DEPTH OF CUT

5.1.1. Loosen the Cut Depth Lock and adjust the position of the saw blade to suit. Use the scale engraved on the metal bracket aligned with the moulded mark on the body to set the required depth. Ensure that the Lock screw is firmly tightened before use.

5.2. SETTING CUT BEVEL ANGLE

5.2.1. Loosen the Bevel Lock (fig.1) and adjust the angle of the saw to suit. Use the scale engraved on the sole plate set to the required angle. Ensure that the Lock screw is firmly tightened before use.

5.3. CUTTING PROCEDURES

✓ Secure loose work pieces with a clamp, vice or other adequate holding device.

✗ **DO NOT** switch the saw on whilst the blade is in contact with the workpiece.

5.3.1. Depress the Trigger Lock (fig.1) in either direction and gently squeeze the Trigger (fig.1).

NOTE: To stop the motor, release the Trigger. The Trigger Lock will automatically re-engage.

▲ **DANGER:** Keep hands away from cutting area and the blade. Keep your second hand on auxiliary handle, or motor housing. If both hands are holding the Saw, they cannot be cut by the blade.

✗ **DO NOT** reach underneath the workpiece. The guard cannot protect you from the blade below the workpiece.

5.3.2. Adjust the cutting depth to the thickness of the workpiece. Less than a full tooth of the blade teeth should be visible below the workpiece.

5.3.3. Never hold piece being cut in your hands or across your leg. Secure the Workpiece to a stable platform. It is important to support the work properly to minimize body exposure, blade binding, or loss of control.

5.3.4. Hold the power tool by insulated gripping surfaces only, when performing an operation where the cutting tool may contact hidden wiring. Contact with a "live" wire will also make exposed metal parts of the power tool "live" and could give the operator an electric shock. Always use blades with correct size and shape (diamond versus round) of arbour holes. Blades that do not match the mounting hardware of the saw will run eccentrically, causing loss of control.

5.3.5. Never use damaged or incorrect blade washers or bolt. The blade washers and bolt were specially designed for your saw, for optimum performance and safety of operation.

5.4. KICKBACK CAUSES AND RELATED WARNINGS

5.4.1. Kickback is a sudden reaction to a pinched, bound or misaligned saw blade, causing an uncontrolled saw to lift up and out of the workpiece toward the operator when the blade is pinched or bound tightly by the kerf closing down, the blade stalls and the motor reaction drives the unit rapidly back toward the operator; – if the blade becomes twisted or misaligned in the cut, the teeth at the back edge of the blade can dig into the top surface of the wood causing the blade to climb out of the kerf and jump back toward the operator.

5.4.2. Kickback is the result of saw misuse and/or incorrect operating procedures or conditions and can be avoided by taking proper precautions as given below.

5.4.3. a) Maintain a firm grip with both hands on the saw and position your arms to resist kickback forces. Position your body to either side of the blade, but not in line with the blade. Kickback could cause the saw to jump backwards, but kickback forces can be controlled by the operator, if proper precautions are taken.

- 5.4.4. b) When blade is binding, or when interrupting a cut for any reason, release the trigger and hold the saw motionless in the material until the blade comes to a complete stop.
- 5.4.5. Never attempt to remove the saw from the work or pull the saw backward while the blade is in motion or kickback may occur. Investigate and take corrective actions to eliminate the cause of blade binding.
- 5.4.6. c) When restarting a saw in the workpiece, centre the saw blade in the kerf and check that saw teeth are not engaged into the material. If saw blade is binding, it may walk up or kickback from the workpiece as the saw is restarted.
- 5.4.7. d) Support large panels to minimise the risk of blade pinching and kickback. Large panels tend to sag under their own weight. Supports must be placed under the panel on both sides, near the line of cut and near the edge of the panel.
- 5.4.8. e) **DO NOT** use dull or damaged blades. Unsharpened or improperly set blades produce narrow kerf causing excessive friction, blade binding and kickback.
- 5.4.9. f) Blade depth and bevel adjusting locking levers must be tight and secure before making cut. If blade adjustment shifts while cutting, it may cause binding and kickback.
- 5.4.10. G) Use extra caution when sawing into existing walls or other blind areas. The protruding blade may cut objects that can cause kickback.

5.5. LOWER GUARD FUNCTION

- 5.5.1. a) Check lower guard for proper closing before each use. **DO NOT** operate the saw if lower guard does not move freely and close instantly. Never clamp or tie the lower guard into the open position. If saw is accidentally dropped, lower guard may be bent. Raise the lower guard with the retracting handle and make sure it moves freely and does not touch the blade or any other part, in all angles and depths of cut.
- 5.5.2. b) Check the operation of the lower guard spring. If the guard and the spring are not operating properly, they must be serviced before use. Lower guard may operate sluggishly due to damaged parts, gummy deposits, or a build-up of debris.
- 5.5.3. c) Lower guard may be retracted manually only for special cuts such as "plunge cuts" and "compound cuts". Raise lower guard by retracting handle and as soon as blade enters the material, the lower guard must be released. For all other sawing, the lower guard should operate automatically.
- 5.5.4. d) Always observe that the lower guard is covering the blade before placing saw down on bench or floor. An unprotected, coasting blade will cause the saw to walk backwards, cutting whatever is in its path. Be aware of the time it takes for the blade to stop after switch is released.

5.6. GUARD FUNCTION

- 5.6.1. a) Check guard for proper closing before each use. **DO NOT** operate the saw if guard does not move freely and enclose the blade instantly. Never clamp or tie the guard so that the blade is exposed. If saw is accidentally dropped, guard may be bent. Check to make sure that guard moves freely and does not touch the blade or any other part, in all angles and depths of cut.
- 5.6.2. b) Check the operation and condition of the guard return spring. If the guard and the spring are not operating properly, they must be serviced before use. Guard may operate sluggishly due to damaged parts, gummy deposits, or a build-up of debris.
- 5.6.3. c) Assure that the base plate of the saw will not shift while performing the "plunge cut" when the blade bevel setting is not at 90°. Blade shifting sideways will cause binding and likely kick back.
- 5.6.4. d) Always observe that the guard is covering the blade before placing saw down on bench or floor. An unprotected, coasting blade will cause the saw to walk backwards, cutting whatever is in its path. Be aware of the time it takes for the blade to stop after switch is released.

6. MAINTENANCE

- WARNING!** Remove battery from tool before performing any maintenance or making adjustments.
- 6.1. Remove dust with a soft bristled brush.
- DO NOT** use solvents. Clean with a soft damp cloth. **DO NOT** use compressed air (risk of ejection).
- 6.2. Tool does not require any special maintenance (it is permanently lubricated inside). Professional repair only, contact authorised service centre.
- 6.3. **STORAGE:** Store in a child free, dry location.

WARNING! – Risk of Hand Arm Vibration Injury.

This tool may cause Hand Arm Vibration Syndrome if its use is not managed adequately.

This tool is subject to the vibration testing section of the Machinery Directive 2006/42/EC.

This tool is to be operated in accordance with these instructions.

Measured vibration emission value (a): 3.368 m/s²

Uncertainty value (k): 1.5 m/s²

Please note that the application of the tool to a sole specialist task may produce a different average vibration emission. We recommend that a specific evaluation of the vibration emission is conducted prior to commencing with a specialist task.

A health and safety assessment by user (or employer) will need to be carried out to determine suitable duration of use for each tool.

NB: Stated Vibration Emission values are type-test values and are intended to be typical.

Whilst in use, the actual value will vary considerably from and depend on many factors.

Such factors include; the operator, the task and the inserted tool or consumable.

NB: ensure that the length of leader hoses is sufficient to allow unrestricted use, as this also helps to reduce vibration.

The state of maintenance of the tool itself is also an important factor, a poorly maintained tool will also increase the risk of Hand Arm Vibration Syndrome.

Health surveillance.

We recommend a programme of health surveillance to detect early symptoms of vibration injury so that management procedures can be modified accordingly.

Personal protective equipment.

We are not aware of any personal protective equipment (PPE) that provides protection against vibration injury that may result from the uncontrolled use of this tool. We recommend a sufficient supply of clothing (including gloves) to enable the operator to remain warm and dry and maintain good blood circulation in fingers etc. Please note that the most effective protection is prevention, please refer to the correct Use and Maintenance section in these instructions. Guidance relating to the management of hand arm vibration can be found on the HSC website www.hse.gov.uk - Hand-Arm Vibration at Work.



ENVIRONMENT PROTECTION

Recycle unwanted materials instead of disposing of them as waste. All tools, accessories and packaging should be sorted, taken to a recycling centre and disposed of in a manner which is compatible with the environment. When the product becomes completely unserviceable and requires disposal, drain any fluids (if applicable) into approved containers and dispose of the product and fluids according to local regulations.



WEEE REGULATIONS

Dispose of this product at the end of its working life in compliance with the EU Directive on Waste Electrical and Electronic Equipment (WEEE). When the product is no longer required, it must be disposed of in an environmentally protective way. Contact your local solid waste authority for recycling information.

Note: It is our policy to continually improve products and as such we reserve the right to alter data, specifications and component parts without prior notice.

Important: No Liability is accepted for incorrect use of this product.

Warranty: Guarantee is 12 months from purchase date, proof of which is required for any claim.

Jack Sealey Ltd t/a Sealey Group, Kempson Way, Suffolk Business Park, Rury St Edmunds, Suffolk, IP32 7AR UK
Jack Sealey (EU) Ltd t/a Sealey Group, Farnley Street, Carrickmacross, Co. Monaghan, A81 PK68 Ireland
Tel: 01284 757500 • Email: sales@sealey.co.uk • Web: www.sealey.co.uk