



# 200KG CAPACITY TRANSMISSION CRADLE

MODEL NO: ADT200

Thank you for purchasing a Sealey product. Manufactured to a high standard, this product will, if used according to these instructions, and properly maintained, give you years of trouble free performance.



Refer to instruction manual



Wear safety footwear

## 1. SAFETY

- WARNING! Ensure all preliminary checks are carefully carried out before using the cradle and trolley jack.
- ✓ Immediately repair or replace damaged or missing parts (use an authorised service agent).
- ✓ Ensure use of genuine parts only. Unauthorised parts may be dangerous and will invalidate the warranty.
- WARNING! Follow all of the safety instructions issued with the trolley jack.
- ✗ DO NOT exceed the rated capacity of the cradle or jack, whichever is the lower, see Specification.
- WARNING! Ensure load is placed level and centrally on cradle and is fixed in place before attempting to lift, lower, or transport.
- ✓ Always use support chain supplied to stabilise and secure the load to the cradle.
- ✗ DO NOT substitute an inferior form of restraint for the support chain.
- ✓ Care should be taken when using the cradle and trolley jack in conjunction with a vehicle lift, to ensure that the vehicle is not lowered whilst the jack is in position underneath the vehicle.
- ✗ DO NOT move the jack, with or without a load, with the cradle in the raised position.
- ✗ DO NOT use the cradle for any purpose other than for vehicle transmissions.
- ▲ DANGER! DO NOT use on tarmac, or any other soft surface, as the jack may sink or topple. Serious personal or fatal injury may result.
- ✓ Keep all unauthorised persons away from the area during lifting and lowering and when in transit.
- ✓ Maintain correct balance and footing. Ensure the floor is not slippery and wear non-slip shoes.
- ✓ Remove ill fitting clothing. Remove ties, watches, rings, and other loose jewellery, and contain and/or tie back long hair.
- ✓ Ensure the jack is fully lowered and is clean, dry, and oil free before attempting to transport the jack with or without a load.
- ✓ Diligence is required in ensuring that the operation is continually monitored until completed.
- ✗ DO NOT allow untrained persons to operate the jack.
- ✗ DO NOT transport the jack, with or without a load, with the saddle in the raised position.
- ✗ DO NOT operate the jack when you are tired, under the influence of alcohol, drugs or intoxicating medication.
- ✓ Before storing, ensure cradle is clean and free of grease and oil. Store in a safe, dry, childproof location.

## 2. INTRODUCTION

Fully adjustable saddle with forward, backward and side-to-side tilt. Suitable for jacks with a 31-33mm saddle spigot pin.

Note: When using this cradle, the maximum capacity of the jack and saddle combination will be limited to the lowest specified capacity in the combination e.g. 3000CXD and ADT200 - maximum capacity will be 200kg.

## 3. SPECIFICATION

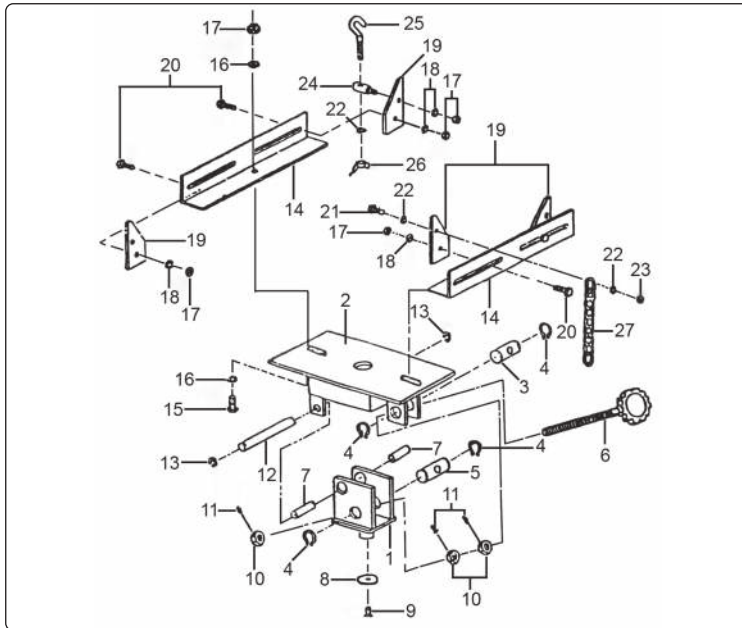
Model No:.....ADT200  
 Capacity:..... 200kg  
 Compatibility: .....3000CXD



## 4. ASSEMBLY

Refer to Parts list

- ❑ **WARNING!** Failure to assemble the cradle correctly may result in serious damage and/or personal injury.
- 4.1. Unpack the product and check contents against the parts listed. Should there be any damaged or missing parts contact your supplier immediately.  
Note: Items (2, 3, 4, 6, 10, 11) and (1, 5, 4) are pre-assembled.
- 4.2. Remove one nut (10) from screw rod (6), and thread screw rod (6) through adjustment pin (5), re-fit nut (10).
- 4.3. Position saddle base (1) underneath saddle plate (2) and thread pivot shaft (12) through from one side ensuring a collar (7) is inserted either side of the saddle base (1) and inside of the saddle plate brackets. Secure with a retaining ring (13) at each end of pivot shaft (12). The three nuts (10) should be positioned near the end of the screw rod (6) closely fitted either side of the shaft (5) and locked onto the screw rod (6) by tightening the screws (11).
- 4.4. Attach saddle angle brackets (14) to the saddle plate (2) with long bolts (15), washers (16) and nuts (17).
- 4.5. Attach saddle angle plates (19) to saddle angle brackets (14), using bolts (20), washers (18) and nuts (17).
- 4.6. Attach chain (27) to one saddle angle plate (19) with bolt (21), washer (22) and nut (23).
- 4.7. Attach hook pin (24) to one saddle angle plate (19) with washer (18) and nut (17).
- 4.8. Attach hook screw (25) to the hook pin (24) with washer (22) and wing nut (26).



## 5. OPERATION

- 5.1. With the jack fully lowered, remove existing fixed saddle from jack and fit the ADT200 in its place. Secure it with nut (9) and washer (8).
- 5.2. Adjust the pitch and tilt of the saddle to assist in safely supporting and transporting the transmission unit.
- 5.3. The cradle may be tilted forwards, backwards and from side to side, by operating the screw rod (6) and/or by turning the cradle on the jack saddle.
- 5.4. Always position saddle angle brackets (14) and saddle angle plates (19) to best support and locate the transmission, ensure all nuts and bolts are retightened. Before moving jack and transmission, ensure that restraint chain is in place and tensioned.
- 5.5. Periodically lubricate the cradle pivot points and the adjusting bolts.



### ENVIRONMENT PROTECTION

Recycle unwanted materials instead of disposing of them as waste. All tools, accessories and packaging should be sorted, taken to a recycling centre and disposed of in a manner which is compatible with the environment. When the product becomes completely unserviceable and requires disposal, drain any fluids (if applicable) into approved containers and dispose of the product and fluids according to local regulations.



REGISTER YOUR PURCHASE HERE

Note: It is our policy to continually improve products and as such we reserve the right to alter data, specifications and component parts without prior notice.

Important: No Liability is accepted for incorrect use of this product.

Warranty: Guarantee is 12 months from purchase date, proof of which is required for any claim.

Sealey Group, Kempson Way, Suffolk Business Park, Bury St Edmunds, Suffolk. IP32 7AR

01284 757500 sales@sealey.co.uk www.sealey.co.uk