



MOBILE WORKBENCH 2-LEVEL

MODEL NO: AP1100M

Thank you for purchasing a Sealey product. Manufactured to a high standard, this product will, if used according to these instructions, and properly maintained, give you years of trouble free performance.



Refer to instructions

1. SAFETY

- WARNING!** Ensure Health & Safety, local authority, and general workshop practice regulations are adhered to when using this bench.
- ✓ Locate bench in a suitable working area.
- ✓ Keep the work area clean, uncluttered and ensure there is adequate lighting.
- WARNING!** Use bench on level and solid ground, preferably concrete. Avoid tarmacadam since the bench may sink into the surface.
- ✓ Always apply the brakes to the locking castors before using the bench.
- ✓ Keep the bench clean and tidy in accordance with good workshop practice.
- ✓ Keep children and unauthorised persons away from the working area.
- * **DO NOT** place heavy loads on the lower shelf.
- * **DO NOT** use the bench for any purpose other than that for which it is designed.
- * **DO NOT** carry out any work on the bench without the workpiece being adequately secured. Use clamps or a vice (not included) to secure the workpiece (available from your Sealey dealer).
- * **DO NOT** use the bench outside.
- * **DO NOT** get the bench wet, or use in damp or wet locations or areas where there is condensation.
- * **DO NOT** clean the bench with any solvents which may damage the paint surface.
- WARNING!** This workbench is heavy and assistance should be obtained before assembly.



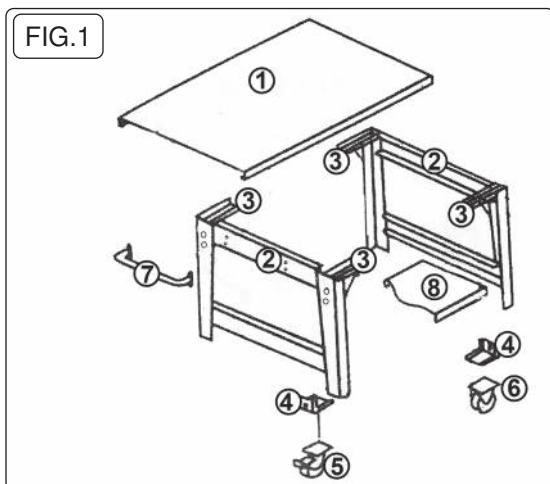
2. INTRODUCTION

Sturdy steel construction workbench with a capacity of 300kg. Two shelves that allow unobstructed access. Fitted with two fixed castors, two locking castors and a heavy-duty handle.

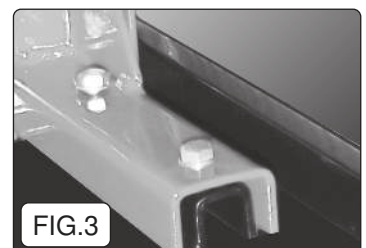
3. SPECIFICATION

Model No:.....AP1100M
 Nett Weight: 59.30kg
 Size inc. Handle (W x D x H):..... 1180 x 700 x 830mm
 Work Surface (W x D): 1100 x 700mm
 Capacity:..... 300kg

4. ASSEMBLY



#	DESCRIPTION	QTY
1	Bench Top	1
2	Leg Frames	2
3	Support Brackets	4
4	Castor Brackets	4
5	Locking Castors	2
6	Fixed castors	2
7	Handle	1
8	Shelf	1



IMPORTANT: loosely tighten all bolts during assembly; once the entire unit is assembled, fully tighten all bolts.

- 4.1. Place the bench top (fig.1.1) upside on the floor. Use a floor covering to protect the bench top.
- 4.2. Fasten the four support brackets (fig.1.3) to the leg frames using the fixings provided (fig.2).
- 4.3. Fasten the leg/bracket assemblies to the channels welded to the underside of the bench top (fig.3).
- 4.4. Fasten the four castor brackets (fig.1.4) to the legs.
- 4.5. Fasten the two locking castors (fig.1.5) to the legs at one end.
- 4.6. Fasten the two fixed castors (fig.1.6) to the legs at the other end.
- 4.7. Fasten the shelf (fig.1.8) to the crossmembers of the leg frames.
- 4.8. Using two people, turn the bench the right way up.
- 4.9. Fix the handle (fig.1.7) to the end of the bench to which the locking castors are fitted.



ENVIRONMENT PROTECTION

Recycle unwanted materials instead of disposing of them as waste. All tools, accessories and packaging should be sorted, taken to a recycling centre and disposed of in a manner which is compatible with the environment. When the product becomes completely unserviceable and requires disposal, drain any fluids (if applicable) into approved containers and dispose of the product and fluids according to local regulations.



REGISTER YOUR
PURCHASE HERE

Note: It is our policy to continually improve products and as such we reserve the right to alter data, specifications and component parts without prior notice.

Important: No Liability is accepted for incorrect use of this product.

Warranty: Guarantee is 12 months from purchase date, proof of which is required for any claim.

Jack Sealey Ltd t/a Sealey Group, Kempson Way, Suffolk Business Park, Bury St Edmunds, Suffolk, IP32 7AR UK
Jack Sealey (EU) Ltd t/a Sealey Group, Farney Street, Carrickmacross, Co. Monaghan, A81 PK68 Ireland
Tel: 01284 757500 • Email: sales@sealey.co.uk • Web: www.sealey.co.uk