



2000W CONVECTOR HEATER WITH TURBO, TIMER & THERMOSTAT

MODEL NO: **CD2005TT.V2**

Thank you for purchasing a Sealey product. Manufactured to a high standard, this product will, if used according to these instructions, and properly maintained, give you years of trouble free performance.

IMPORTANT: PLEASE READ THESE INSTRUCTIONS CAREFULLY. NOTE THE SAFE OPERATIONAL REQUIREMENTS, WARNINGS & CAUTIONS. USE THE PRODUCT CORRECTLY AND WITH CARE FOR THE PURPOSE FOR WHICH IT IS INTENDED. FAILURE TO DO SO MAY CAUSE DAMAGE AND/OR PERSONAL INJURY AND WILL INVALIDATE THE WARRANTY. KEEP THESE INSTRUCTIONS SAFE FOR FUTURE USE.



Refer to
instruction
manual



Do not cover



Indoor use only

1. SAFETY

1.1. ELECTRICAL SAFETY

- WARNING!** It is the user's responsibility to check the following:
Check all electrical equipment and appliances to ensure that they are safe before using. Inspect power supply leads, plugs and all electrical connections for wear and damage. Sealey recommend that an RCD (Residual Current Device) is used with all electrical products. You may obtain an RCD by contacting your local Sealey stockist.
If the heater is used in the course of business duties, it must be maintained in a safe condition and routinely PAT (Portable Appliance Test) tested.

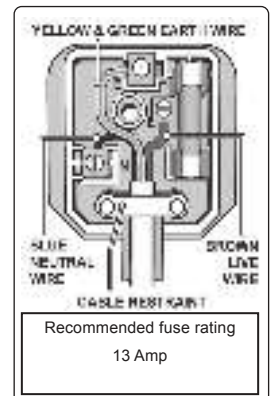
1.1.1. ELECTRICAL SAFETY INFORMATION

It is important that the following information is read and understood.

Ensure that the insulation on all cables and on the appliance is safe before connecting it to the power supply.
Regularly inspect power supply cables and plugs for wear or damage and check all connections to ensure that they are secure.

IMPORTANT: Ensure that the voltage rating on the appliance suits the power supply to be used and that the plug is fitted with the correct fuse - see fuse rating in these instructions.

- * **DO NOT** pull or carry the appliance by the power cable.
 - * **DO NOT** pull the plug from the socket by the cable.
 - * **DO NOT** use worn or damaged cables, plugs or connectors. Ensure that any faulty item is repaired or replaced immediately by a qualified electrician.
- 1.1.2. This product is fitted with a BS1363/A 13 Amp 3 pin plug.
- ✓ If the cable or plug is damaged during use, switch the electricity supply off and remove from use.
 - ✓ Ensure that repairs are carried out by a qualified electrician.
 - ✓ Replace a damaged plug with a BS1363/A 13 Amp 3 pin plug. If in doubt contact a qualified electrician.
 - a) Connect the GREEN/YELLOW earth wire to the earth terminal 'E'.
 - b) Connect the BROWN live wire to the live terminal 'L'.
 - c) Connect the BLUE neutral wire to the neutral terminal 'N'.
 - ✓ Ensure that the cable outer sheath extends inside the cable restraint and that the restraint is tight.
 - ✓ Sealey recommend that repairs are carried out by a qualified electrician.



1.2. GENERAL SAFETY

- WARNING!** Disconnect the heater from the mains power supply before carrying out any servicing or maintenance.
- ✓ Disconnect the heater from the power supply before handling or cleaning.
- ✓ Maintain the heater in good order and clean condition for best and safest performance.
- ✓ Replace or repair damaged parts. *Use genuine parts only. Unauthorised parts may be dangerous and will invalidate the warranty.*
- ✓ Ensure there is adequate lighting and keep the immediate area in front of the outlet grille clear.
- ✓ Only use the heater standing on its feet in the upright position.
- * **DO NOT** allow any untrained persons to use the heater. Ensure they are familiar with the controls and hazards of the heater.
- * **DO NOT** let power lead hang over an edge (i.e. table), or touch a hot surface, lie in heater hot air flow, or run under a carpet.
- * **DO NOT** touch the outlet grille (top) of the heater during and immediately after use as it will be hot.
- * **DO NOT** place the heater near items that may be damaged by heat.
- * **DO NOT** place heater too close to yourself or any object, allow the air to circulate freely.
- * **DO NOT** use the heater for any purpose other than for which it is designed.
- * **DO NOT** use heater on very deep pile carpets.
- * **DO NOT** use the heater outdoors. These heaters are designed for indoor use only.
- * **DO NOT** use heater if the power cord, plug or the heater is damaged, or if the heater has become wet.
- * **DO NOT** use in bathroom, shower room, or in any wet or damp environments or where there is high condensation.
- * **DO NOT** operate the heater when you are tired or under the influence of alcohol, drugs or intoxicating medication.
- * **DO NOT** allow the heater to get wet as this may result in an electric shock and personal injury.
- * **DO NOT** insert or allow objects to enter any openings of heater as this may cause an electric shock, a fire or damage to heater.
- * **DO NOT** use the heater where there are flammable liquids, solids or gases such as petrol, solvents, aerosols etc, or where heat sensitive materials may be stored.
- * **DO NOT** place the heater immediately below any electrical outlet.
- * **DO NOT** cover heater when in use, and do not obstruct the air inlet and outlet grille (i.e. clothing, curtain, furniture, bedding etc).
- ✓ Allow the unit to cool before storage. When not in use, disconnect from the mains power supply and store in a safe, cool, dry, childproof area.

NOTE: Children of less than 3 years should be kept away unless continuously supervised. Children aged from 3 years and less than 8 years shall only switch on/off the appliance provided that it has been placed or installed in its intended normal operating position and they have been given supervision or instruction concerning use of the appliance in a safe way and understand the hazards involved. Children aged from 3 years and less than 8 years shall not plug in, regulate and clean the appliance or perform user maintenance.

2. INTRODUCTION

Electric convector heater features built-in turbo fan for accelerated heating. Three heat settings of 750/1250/2000W for gradual control of heating elements. Rotary controlled room thermostat maintains ambient temperature at preset level. Features 24 hour timer allowing the user to programme the time and duration the heater is operated. Slimline sturdy construction and high quality finish make this unit suitable for home, light industrial and office environments. Supplied with 3-pin plug.

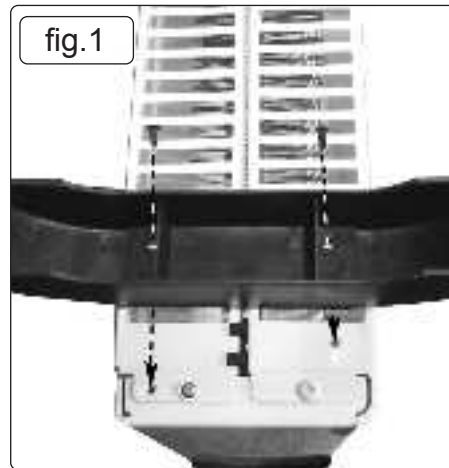
3. SPECIFICATION

Model No:.....**CD2005TT.V2**
 Power Settings:.....750/1250/2000W
 Supply:.....230V
 Size (WxDxH):.....595 x 200x 420mm

4. ASSEMBLY

4.1. MOUNTING THE FEET (fig.1.)

- 4.1.1. Turn the heater upside down and support it securely. Take one of the feet and place it onto the underside of the heater in the position indicated in (fig.1).
- 4.1.2. When the foot is positioned correctly 2 holes in the foot will line up with the holes in the underside of the heater.
- 4.1.3. Fasten each foot down with the self tapping screws provided.



5. OPERATION

5.1. OPERATING THE HEATER (See fig.2)

- 5.1.1. Place the heater in a suitable position in the area you require to heat.
- 5.1.2. Allow a minimum of 500mm between the heater and adjacent objects such as furniture etc.
- 5.1.3. Plug the heater into the mains supply.
- 5.1.4. Turn the thermostat knob (fig.2.C) to a high setting.

5.2. SELECTING THE HEAT OUTPUT

- 5.2.1. Choose the required heat output by selecting the appropriate switch which will light up when pressed.

Low setting	(750W)	Select switch 'A'
Medium setting	(1250W)	Select switch 'B'
High setting	(2000W)	Select both switches.

5.3. USING THE THERMOSTAT (fig.2.C)

- 5.3.1. Once the required room temperature has been achieved, turn the thermostat down slowly in the direction of the Min. setting until the heat output switch light (part of each switch) goes out. The heater will then keep the surrounding air at the set temperature by switching on and off at intervals. You may reset the thermostat at any time.

5.4. TURBO FAN FEATURE

- 5.4.1. To boost the output of air at any temperature setting select switch 'D' which has a fan symbol beside it. The fan can also be used to circulate cool air only by switching off the two heat setting switches.

5.5. TIMER FUNCTION

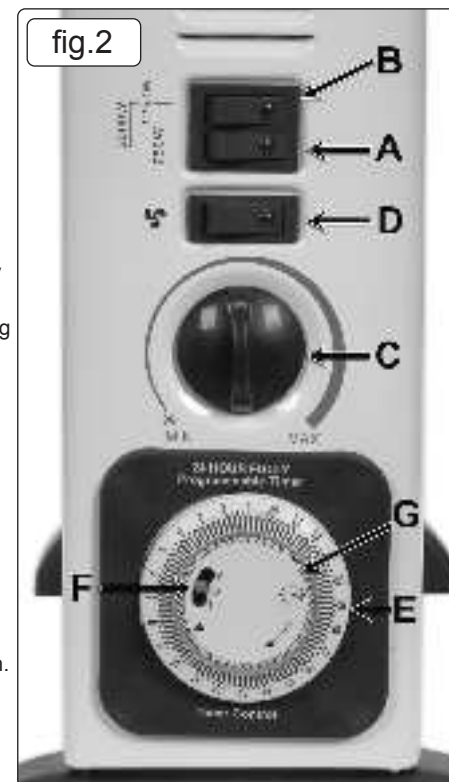
- 5.5.1. To activate timer function, turn the outer ring (fig.2.E) to the correct time. This will need to be repeated every time that the heater is reconnected to the power supply.
- 5.5.2. The function selector switch (fig.2.F) has three positions:
 Left.....Heater on permanently
 Centre.....Heater timed.
 Right.....Heater off. - The heater will not operate at all with the switch set in this position.
- 5.5.3. To select the time during which the heater is active, move the timer pins (fig.2.G.) outwards for the period required. Each pin is equal to 15minutes.

- 5.5.4. To switch the unit off, turn the heat selecting switches off and unplug from the mains.
- 5.5.5. Allow the unit to cool before handling or storage.

WARNING! DO NOT touch the top of the heater when in use as it becomes hot.

5.6. SAFETY CUT OUT FEATURE

- 5.6.1. The heater is fitted with a thermostatic safety cut out which will turn the heater off automatically should the airflow become blocked or if the heater has a technical malfunction.
- 5.6.2. Should this happen, switch the heater off and unplug it from the mains power supply.
 WARNING! In such a case the heater will be very hot.
 * **DO NOT** connect the heater to the power supply again until the reason the safety cut out activated has been identified.
- 5.6.3. Allow the heater to cool completely before handling and then check the air inlet and outlet for obstructions before attempting to switch the unit back on.
- 5.6.4. If the cause is not obvious return the heater to your local Sealey stockist for servicing.



6. MAINTENANCE

- 6.1. Before attempting any maintenance ensure the unit is unplugged from the mains power supply and that it is cool.
- 6.2. Clean the unit with a soft dry cloth. **DO NOT** use abrasives or solvents.

6.3. Periodically check the air inlet and outlet to ensure the air way is clear.



ENVIRONMENT PROTECTION

Recycle unwanted materials instead of disposing of them as waste. All tools, accessories and packaging should be sorted, taken to a recycling centre and disposed of in a manner which is compatible with the environment. When the product becomes completely unserviceable and requires disposal, drain any fluids (if applicable) into approved containers and dispose of the product and fluids according to local regulations.



WEEE REGULATIONS

Dispose of this product at the end of its working life in compliance with the EU Directive on Waste Electrical and Electronic Equipment (WEEE). When the product is no longer required, it must be disposed of in an environmentally protective way. Contact your local solid waste authority for recycling information.

Note: It is our policy to continually improve products and as such we reserve the right to alter data, specifications and component parts without prior notice.

Important: No Liability is accepted for incorrect use of this product. Please note that other versions of this product are available. If you require documentation for alternative versions, please email or call our technical team on technical@sealey.co.uk or 01284 757505.

Warranty: Guarantee is 12 months from purchase date, proof of which is required for any claim.

Sealey Group, Kempson Way, Suffolk Business Park, Bury St Edmunds, Suffolk. IP32 7AR



01284 757500



01284 703534



sales@sealey.co.uk



www.sealey.co.uk



Information requirements for electric local space heaters

Model identifier(s): CD2005TT.V2					
Item	Symbol	Value	Unit	Item	Unit
Heat output				Type of heat input, for electric storage local space heaters only (select one)	
Nominal heat output	P_{nom}	2.035	kW	Manual heat charge control, with integrated thermostat	Yes No <input checked="" type="checkbox"/>
Minimum heat output (indicative)* * Enter figure or NA	P_{min}	0	kW	Manual heat charge control with room and/or outdoor temperature feedback	Yes No <input checked="" type="checkbox"/>
Maximum continuous heat output	$P_{max,c}$	2.035	kW	Electronic heat charge control with room and/or outdoor temperature feedback	Yes No <input checked="" type="checkbox"/>
				Fan assisted heat output	Yes No <input checked="" type="checkbox"/>
Auxiliary electricity consumption				Type of heat output/room temperature control (select one)	
At nominal heat output	eI_{max}	0.000	kW	Single stage heat output and no room temperature control	Yes No <input checked="" type="checkbox"/>
At minimum heat output	eI_{min}	0.000	kW	Two or more manual stages, no room temperature control	Yes No <input checked="" type="checkbox"/>
In standby mode	eI_{SB}	0.000	kW	With mechanic thermostat room temperature control	Yes <input checked="" type="checkbox"/> No
				With electronic room temperature control	Yes No <input checked="" type="checkbox"/>
				Electronic room temperature control plus day timer	Yes <input checked="" type="checkbox"/> No
				Electronic room temperature control plus week timer	Yes No <input checked="" type="checkbox"/>
				Other control options (multiple selections possible)	
				Room temperature control, with presence detection	Yes No <input checked="" type="checkbox"/>
				Room temperature control, with open window detection	Yes No <input checked="" type="checkbox"/>
				With distance control option	Yes No <input checked="" type="checkbox"/>
				With adaptive start control	Yes No <input checked="" type="checkbox"/>
				With working time limitation	Yes No <input checked="" type="checkbox"/>
				With black bulb sensor	Yes No <input checked="" type="checkbox"/>
Contact details: Sealey Group, Kempson Way, Suffolk Business Park, Bury St Edmunds, Suffolk, IP32 7AR. www.sealey.co.uk					
v1					ERP Table 2