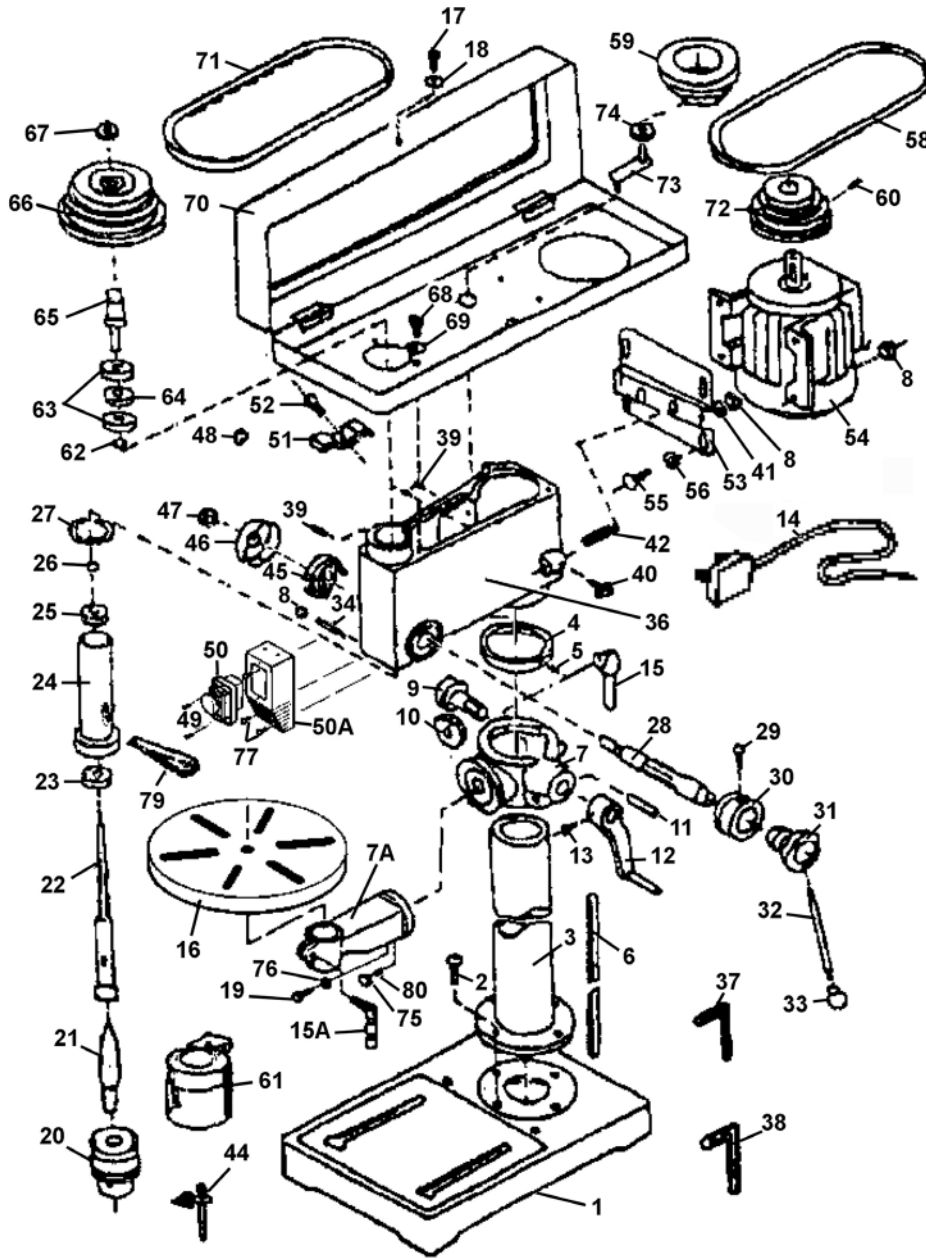


Parts Information:  
**Bench Mounting Pillar Drill 12-Speed**  
**370W/230V**  
**Model No: GDM92B & GDM140F**



Item	Part No.	Description
1	GDM92B/01	Base - <b>GDM92B Only</b>
1	GDM140F/01	Base - <b>GDM140F Only</b>
2	GDM92B/02	Bolt M10 x 25mm
3	GDM92B/03	Column Ø55 x 660mm - <b>GDM92B Only</b>
3	GDM140F/03	Column Ø60 x 1330mm - <b>GDM140F Only</b>
4	GDM92B/04	Rack Ring
5	GSM610.S	Grub Screw M6 x 10mm
6	GDM92B/06	Rack
7	GDM92B/07	Table Arm Bracket, Square Slot (75 x 110 x 60mm)

Item	Part No.	Description
7A	GDM92B/07A	Table Arm (150 x 65 x 35mm) (14mm & 12mm Bores)
8	SN8.S	Steel Nut M8
9	GDM92B/09	Worm Gear
10	GDM92B/10	Gear
11	GDM92B/11	Shaft
12	GDM92B/12	Handle
13	GSM610.S	Grub Screw M6 x 10mm
14	GDM92B/14	Plug
15	GDM92B/15	Clamp Bolt

**NOTE:** It is our policy to continually improve products and as such we reserve the right to alter data, specifications and component parts without prior notice. There may be alternative versions of this product, please contact us should you require this information.

**IMPORTANT:** No liability is accepted for incorrect use of product. Spare parts must be fitted by a competent person

**WARRANTY:** Guarantee is 12 months from purchase date, proof of which will be required for any claim.



Parts Information:  
**Bench Mounting Pillar Drill 12-Speed  
 370W/230V  
 Model No: GDM92B & GDM140F**

Item	Part No.	Description
15A	GDM92B/15A	Table Bolt
16	GDM92B/16	Table, Round, (Bottom Fitting Ø17mm Bore) (Ø250 x 27mm)
17	MSP510.S	Machine Screw Pan Head Phillips M5 x 10mm
18	FWM5.S	Flat Washer M5
19	SCB1230.SB	Socket Cap Bolt M12 x 30mm Black
20	GDM92B/20	Chuck B16 3-16mm
21	GDM92B/21	Arbor
22	GDM92B/22	Spindle
23	B/6204-2RS	Bearing 6204-2RS
24	GDM92B/24	Spindle Sleeve
25	B/6201ZZ	Bearing 6201ZZ
26	RE231.V3-06	External Circlip 10.9mm ID
27	GDM92B/27	Rubber Washer M40
28	GDM92B/28	Feed Shaft
29	GDM92B/29	Clamp Bolt
30	GDM92B/30	Scale Ring
31	GDM92B/31	Handle Body
32	GDM92B/32	Handle
33	GDM92B/33	Knob, Plastic, Spherical, Ø28mm, M8 Threaded (F)
34	GDM92B/34	Headless Set Screw
36	GDM92B/36	Body
37	GDM92B/37	Hex Key A
38	GDM92B/38	Hex Key B
39	GSM812.S	Grub Screw M8 x 12mm
40	GDM92B/40	Slide Bar Bolt
41	GDM92B/41	Screw
42	GDM92B/42	Slide Bar
44	GDM92B/44	Chuck Key, T-Shape, 8mm
45	GDM92B/45	Spring
46	GDM92B/46	Spring Seat
47	GDM92B/47	M12 x 1.5mm Fine Pitch Half Nut
48	GDM92B/48	Plastic Jam Nut
49	GDM92B/49	Screw 6 x 1/2" AB Pan Self Tap Supadrive bzp
50	GDM92B/50	Switch, (Front Mount with Emergency Stop)
50A	GDM92B/50A	Switch Housing

Item	Part No.	Description
51	GDM92B/51	Wire Clamp
52	MSP410.S	Machine Screw Pan Head Phillips M4 x 10mm
53	GDM92B/53	Motor Base
54	GDM92B/54	Motor (External 240V 50Hz 370/550W)
55	SS830.S	Hex Head Set Screw M8 x 30mm
56	FWM8.S	Flat Washer M8
58	GDM92B/58	V-Belt K-456
59	GDM92B/59	Centre Pulley
60	GDM92B/60	Headless Set Screw 1/4" UNC x 3/8"
61	DPG99	Drill Press Guard Ø60mm - <b>Please see Catalogue</b>
62	RE231.05	External Circlip 12.8mm ID
63	B/6203ZZ	Bearing 6203ZZ
64	GDM92B/64	Collar
65	GDM92B/65	Drive Sleeve
66	GDM92B/66	Spindle Pulley
67	GDM92B/67	Left Hand Thread Pulley Half Nut M18 x 1.25mm Black
68	MSP612.S	Machine Screw Pan Head Phillips M6 x 12mm
69	FWM6.S	Flat Washer M6
70	GDM92B/70	Pulley Cover
71	GDM92B/71	V-belt K550 (ID-515)
72	GDM92B/72	Motor Pulley
73	GDM92B/73	Centre Shaft
74	B/6202ZZ	Bearing 6202ZZ
75	GDM92B/75	Nut M12 x 1.50mm Metric Fine
76	GDM92B/76	Washers Plain and Spring M12
77	MSP514.S	Machine Screw Pan Head Phillips M5 x 14mm
79	GDM92B/79	Wedge
80	GDM92B/80	Pin
--	GDM92B/28A	Feed Part Assembly (Not Shown)
--	GDM92B/54-1	Fan cover (Not Shown)
--	GDM92B/54-2	Capacitor Cover (Not Shown)
--	GDM92B.81	Holder for Micro Switch A (Not Shown)
--	GDM92B.82	Holder for Micro Switch B (Not Shown)
--	GDM92B.83	Phillips Bolt M6 x 12mm (Not Shown)

**NOTE:** It is our policy to continually improve products and as such we reserve the right to alter data, specifications and component parts without prior notice. There may be alternative versions of this product, please contact us should you require this information.

**IMPORTANT:** No liability is accepted for incorrect use of product. Spare parts must be fitted by a competent person

**WARRANTY:** Guarantee is 12 months from purchase date, proof of which will be required for any claim.

Jack Sealey Ltd t/a Sealey Group, Kempson Way, Suffolk Business Park, Bury St Edmunds, Suffolk, IP32 7AR UK

Jack Sealey (EU) Ltd t/a Sealey Group, Farney Street, Carrickmacross, Co. Monaghan, A81 PK68 Ireland

Tel: 01284 757500 · Email: sales@sealey.co.uk · Web: www.sealey.co.uk