



# 12V/230V AC TYRE INFLATOR & HIGH VOLUME PUMP, AIR COMPRESSOR, 120PSI, DUAL POWER, LED WORKLIGHT

MODEL NO'S: MAC13D

Thank you for purchasing a Sealey product. Manufactured to a high standard, this product will, if used according to these instructions, and properly maintained, give you years of trouble free performance.



Refer to instruction manual



Keep away from rain

## 1. SAFETY

### 1.1. ELECTRICAL SAFETY

- WARNING! It is the user's responsibility to check the following:
- ✓ Check all electrical equipment and appliances to ensure that they are safe before using. Inspect power supply leads, plugs and all electrical connections for wear and damage. Sealey recommend that an RCD (Residual Current Device) is used with all electrical products.
- ✓ Electrical safety information. It is important that the following information is read and understood:
- ✓ Ensure that the insulation on all cables and on the appliance is safe before connecting it to the power supply.
- ✓ Regularly inspect power supply cables and plugs for wear or damage and check all connections to ensure that they are secure. IMPORTANT: Ensure that the voltage rating on the appliance suits the power supply to be used and that the plug is fitted with the correct fuse.
- ✗ DO NOT pull or carry the appliance by the power cable.
- ✗ DO NOT pull the plug from the socket by the cable.
- ✗ DO NOT use worn or damaged cables, plugs or connectors. Ensure that any faulty item is repaired or is replaced immediately by a qualified electrician.
- ✓ If the cable or plug is damaged during use, switch off the electricity supply and remove from use.
- ✓ Ensure that repairs are carried out by a qualified electrician.

### 1.2. POWER CORDS

- 1.2.1. If the supply cord is damaged, it must be replaced by the manufacturer, its service agent or similarly qualified persons in order to avoid a hazard.
- WARNING! Read instructions before use.
- WARNING! This compressor is capable of producing a high pressure. DO NOT inflate any item beyond its maximum capacity.
- WARNING! This device may be used by aged 8 years and older, and by persons with reduced physical, sensory or mental capacities, or a lack of experience and knowledge, if they are supervised or have been instructed in how to use the device safely and understand the dangers that may arise when using it.
- WARNING! The user is responsible for any damage or injury to third parties that was caused by the use of the device.
- WARNING! During operation, never point the device at yourself or other individuals, and keep the device well way from your ears and eyes.
- WARNING! Children shall NOT play with the appliance.
- WARNING! Cleaning and user maintenance on the appliance shall not be made by children without supervision.
- ✓ Children from age 8 years and above, persons with reduced physical, sensory, or mental capabilities those with lack of experience and knowledge can use the appliance, if they have been given supervision or instruction concerning use of the appliance in a safe way to understand the hazards involved.
- WARNING! The appliance shall be disconnected from its power source during service and when replacing parts.
- WARNING! The removal of the plug has to be such that an operator can check from any of the points to which he has access that the plug remains removed.
- ✓ There is a risk of injury!
- ✗ DO NOT leave the unit unattended while in operation.
- ✓ Check capacity and maximum pressure of inflatable before commencing inflation.
- ✓ Monitor the pressure gauge while in operation.
- ✓ The gauge should be used as an indication of pressure only. We recommend the use of a dial pressure gauge for definitive reading.
- ✓ Locate compressor on an appropriate surface for use.
- ✗ DO NOT direct inflation hose connector head at yourself, others or animals.
- ✗ DO NOT allow to play with the device.
- ✓ Keep yourself and non essential persons away from the inflation area.
- ✗ DO NOT carry by the hose, or pull the hose sharply from a valve.
- ✗ DO NOT pull the power cable from the vehicle accessory socket or battery terminal by the power lead.
- ✗ DO NOT get the compressor wet or use in the rain.
- ✗ DO NOT use the compressor for a task it was not designed to perform.
- ✗ DO NOT operate the compressor when you are tired, under the influence of alcohol, drugs or intoxicating medication.
- ✗ DO NOT operate the compressor if any parts are missing as this may cause failure or possible personal injury.

- ✘ DO NOT open the unit.
- ✘ DO NOT leave the device unsupervised while running. Comply with the filling instructions for the inflatable item. The inflatable item could burst and cause serious injuries.
- ☐ **WARNING!** When inflating tyres which are completely flat or articles with high volume low pressure, monitor temperature, as it can overheat rapidly in the absence of back pressure. A 10 minute rest period should be observed after 15 minutes of continuous run time to extend compressor service life.
- ✓ Keep the compressor clean and in good condition.
- ✓ Replace or repair damaged parts. Use recommended parts only. Non authorised parts may be dangerous and will invalidate the warranty.
- ✓ The integrated compressor unit is designed to adjust the pressure in tyres (e.g. car, motorbike and bicycle tyres), and for the generation of pressure for balls and other low-pressure inflatable items.

## 2. INTRODUCTION

Suitable for inflating tyres on cars, vans, 4x4s, motorcycles and bicycles. High volume air pump with inflate/deflate function suitable for air mattresses and inflatables. Dual powered by 12V and 230V AC mains power. Maximum pressure 120psi. Air flow rate 22L/min with an inflation time of 0-35psi in 210sec (195/55R15). Pressure units psi, kPa, kg/cm<sup>2</sup> and bar. Auto-Shut-off safety feature when pre-set pressure is reached. Integrated SMD LED worklight with red SOS and flashing light function. Easy-to-read backlit LED digital display screen. Compact and lightweight unit with accessories fixed to the housing. Anti-vibration feet. Accessory kit includes Schrader connection, Presta type adaptor, ball spike and inflatable adaptor.

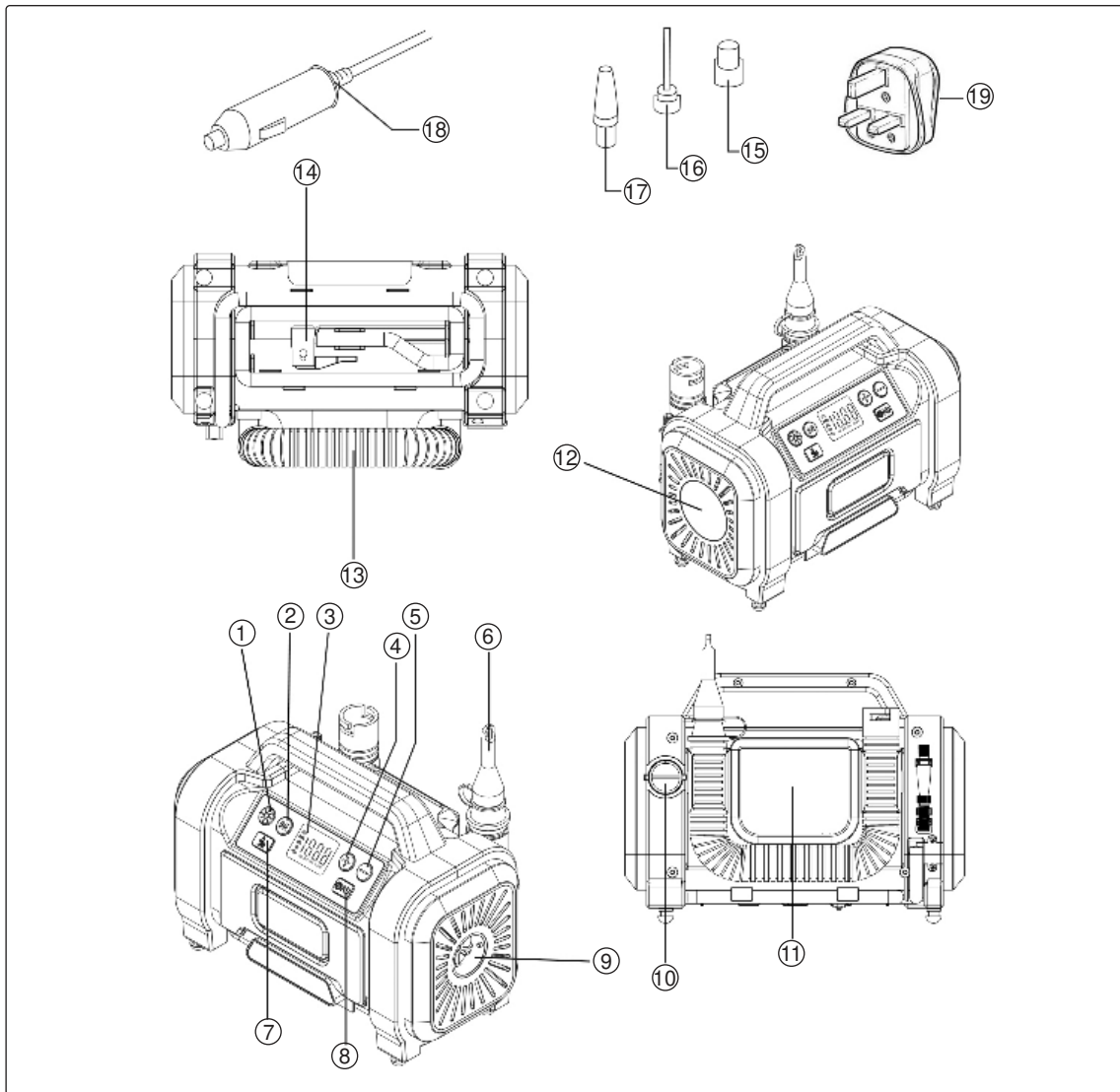
## 3. SPECIFICATION

Model No:	MAC13D
Airflow:	Compressor: 22L/min High Volume Air Pump: 350L/min
Accuracy:	±1%
Fuse Rating:	13A
Maximum Air Supply:	120psi(8.3bar)
Nett Weight:	1.495kg
Plug Type:	3-Pin BS
Pressure Units:	Psi, kPa, kg/cm <sup>2</sup> , bar
Range:	0-120psi
Hose Length:	700mm

Maximum Pressure:	120psi
High Volume Hose Length:	400mm
Supply:	230V~50HZ or 12V = - 10A
Power Supply Cable:	1.8m, D.C: 3m
High Pressure Hose Length:	640mm
Continuous Working Time:	30mins
LED Light:	3 Modes
Inflation Time (175/70/R13):	0-30psi in 194sec (230V) 0-30psi in 226sec (12V)
Max Current:	10A
Power:	120W



## 4. FEATURES



Part	Description
1	Light Button
2	Mode Select Button
3	Digital Display
4	“+” Button
5	“-” Button
6	High-volume Tapered Nozzle
7	High Volume Inflation Mode On Button
8	Power Supply Button and High Pressure Mode On Button
9	Deflation

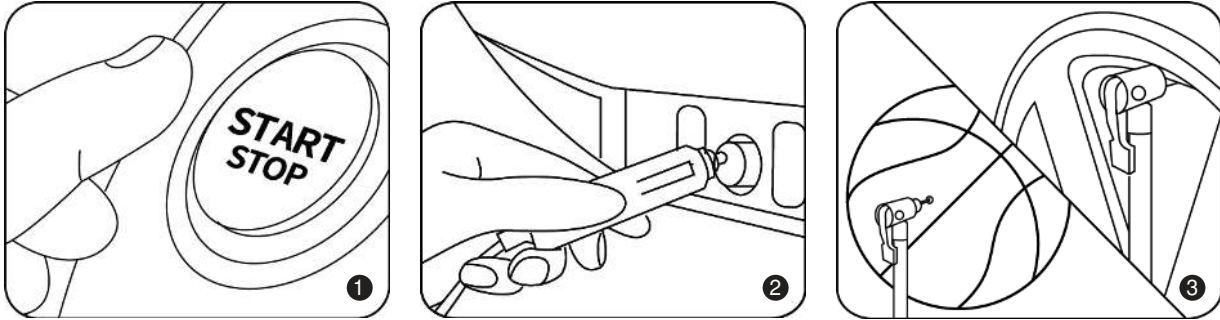
Part	Description
10	Inflation
11	Storage Compartment
12	LED Light(Mode 1:Bright Light,Mode 2:Strobe Light 3:Red Light)
13	High-volume Hose
14	High-pressure Hose
15	Presta Valve Adaptor
16	Needle Nozzle
17	Tapered Nozzle
18	12V Cigarette Lighter Plug
19	Mains Plug

## 5. SPARES

MAC13DR-01	Tyre Inflator/Air Pump Hose
MAC13DR-02	Presta Type Adaptor
MAC13DR-03	Ball Spike
MAC13DR-04	Inflatable Adaptor
MAC13DR-05	Charging Cable (USB - C-type)

## 6. OPERATION

### 6.1. HIGH PRESSURE ITEMS - 12V DC POWER SUPPLY



Step 1. Start the car engine before plugging in the power cord.

Step 2. Plug the power cord into the DC socket.

Step 3. Attach the universal inflating valve adaptor to the item, using the clip to lock into place.

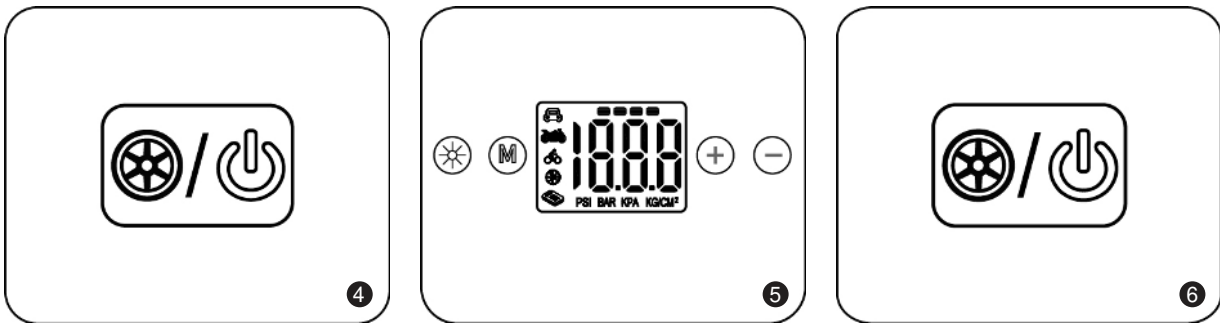
Step 4. Press and hold the power On/Off button to start the power supply.

Step 5. Press the "M" button to select the display unit, then press "-" or "+" to set the desired pressure.

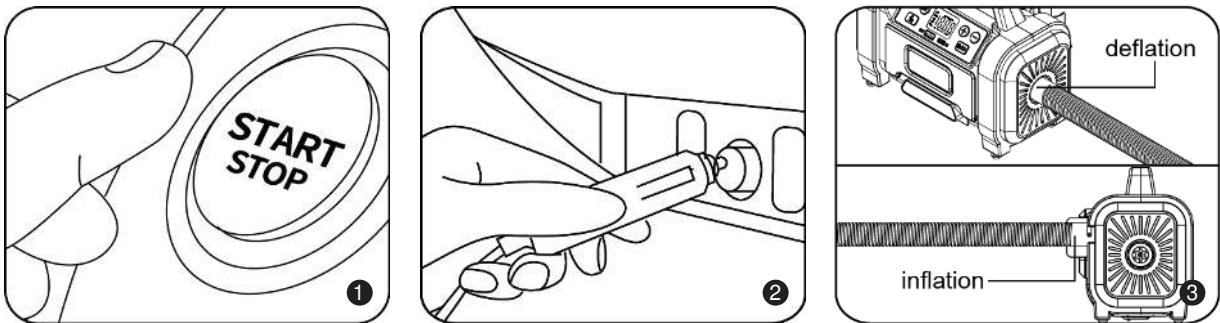
Step 6. Select the inflation mode button the air pump will automatically start.

Step 7. The air pump will automatically stop inflating once the preset pressure is reached.

NOTE: Press the "LED" button to select the torch function, choose between the LED light remaining on, or red flashing for the red SOS function.



### 6.2. LOW PRESSURE ITEMS - 12V DC POWER SUPPLY



Step 1. Start the car engine before plugging in the power cord.

Step 2. Plug the power cord into the DC socket.


Step 3. For deflation, connect the high volume hose to the air pumps's air inlet. For inflation, connect the high-volume hose to the air pumps air outlet, and twist the hose to lock in place.

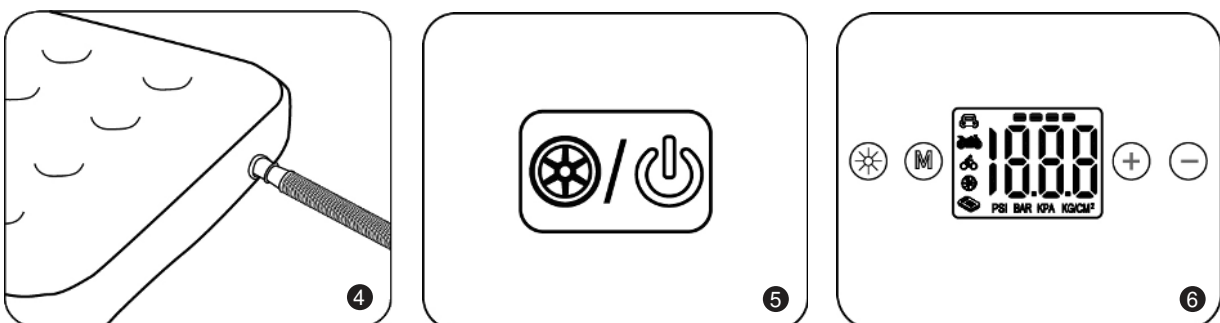
Step 4. Connect the high volume hose to the low pressure product. (if the inflating nozzles are required, install correctly before use).

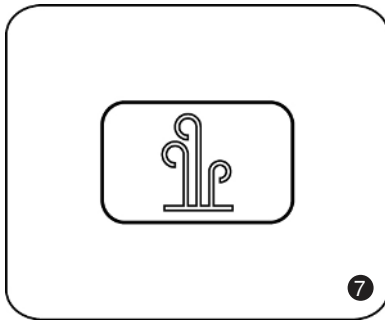
Step 5. Press and hold the On/Off button to start the power supply.

Step 6. Press the "M" button to select the inflation mode, and then select  mode.

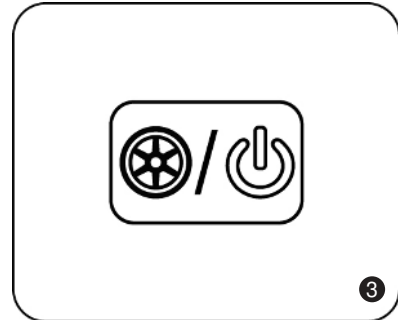
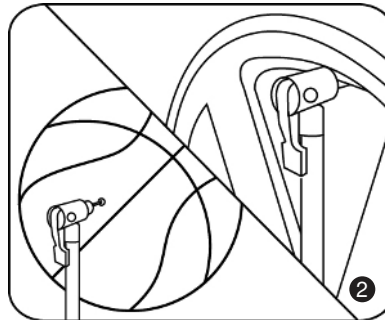
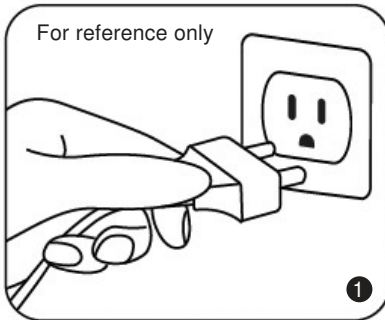
Step 7. Press the inflation mode button.  The air pump will automatically start.

Step 8. When the desired pressure is reached, it is important to manually press  to turn off the air pump.

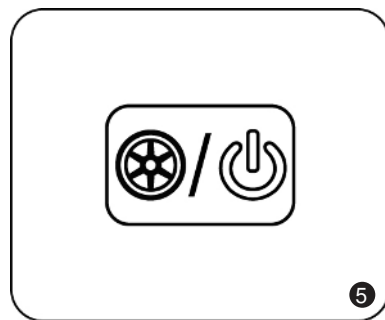
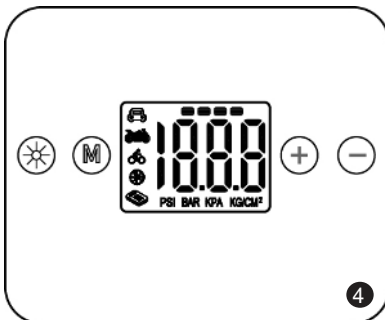




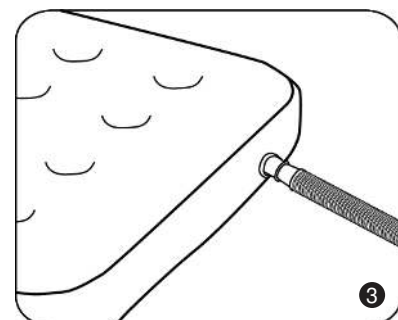
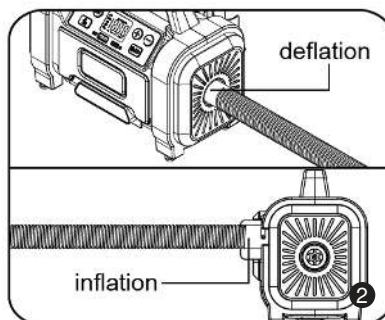
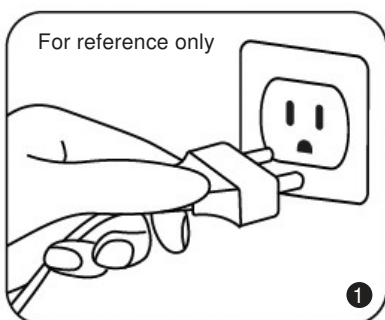
6.3. POWER SUPPLY-HIGH PRESSURE ITEMS - 230V POWER SUPPLY






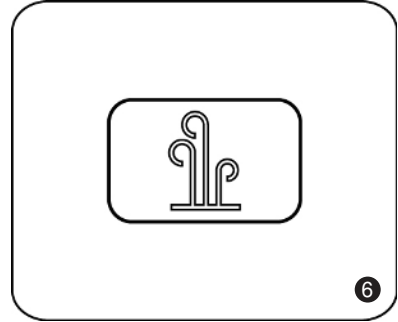
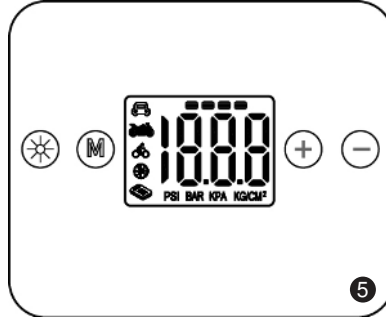
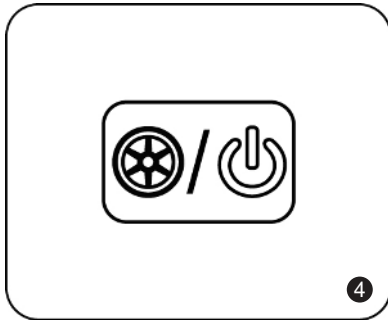
- Step 1. Plug the power cord into a mains supply.
- Step 2. Attach the universal inflating valve adapter to the item, using the clip to lock into place.
- Step 3. Press and hold the power On/Off button to start the power supply.
- Step 4. Press the "M" button to select the display unit, then press "-" or "+" to set the desired pressure.
- Step 5. Press the inflation mode switch, the air pump will automatically start.
- Step 6. The air pump will automatically stop inflating once the preset pressure is reached.



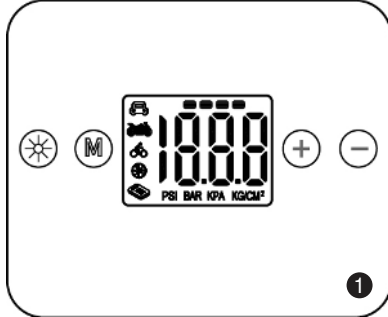
6.4. POWER SUPPLY-LOW PRESSURE ITEMS - 230V POWER SUPPLY




- Step 1. Plug the power cord into a power socket.
- Step 2. For deflation, connect the high volume hose to the air pumps's air inlet. For inflation, connect the high-volume hose to the air pumps air outlet, and twist the hose to lock in place.
- Step 3. Connect the high volume hose to the low pressure product. (if the inflating nozzles are required, install correctly before use).
- Step 4. Press and hold the power On/Off button to start the power supply.
- Step 5. Press the "M" button to select the inflation mode, and then select  mode.
- Step 6. Press the inflation mode button.  The air pump will automatically start.
- Step 7. When the desired pressure is reached, it is important to manually press  to turn off the air pump.



6.5. LED LIGHT



6.5.1. Press the LED light button  to select the LED light function, choose between ON, red flashing and red SOS function.

6.6. BALL INFLATION

6.7. Make sure the needle adapter is inserted correctly. (See illustrations below for reference).

6.8. Press the "M" button to select the ball mode, select the desired pressure, press inflation button (monitor ball pressure and remove needle if excessive pressure is reached).

NOTE: 100PSI=689.47KPA=6.89BAR



## 7. MAINTENANCE

### 7.1. HOW TO REPLACE A FUSE IN THE 12V PLUG

- 7.1.1. Unscrew the top of the plug using a pair of long nose pliers.
- 7.1.2. Remove the fuse.
- 7.1.3. Insert a new fuse.
- 7.1.4. Screw the top plug back into socket.



### 7.2. GENERAL

- 7.2.1. Keep the device in a dry location and out of the reach of children. This helps prevent device damage and possible personal injuries.

### 7.3. SERVICING AND EMERGENCY REPAIR

- 7.3.1. For service and repair contact Sealey Service Centre.

### 7.4. PREVENTATIVE MAINTENANCE MEASURES

- 7.4.1. Always keep tyre inflator clean.
- 7.4.2. Clean the surfaces with a soft damp cloth only. DO NOT submerge in water, or use chemicals to clean tyre inflator.

### 7.5. CONDITION OF THE MACHINE

- 7.5.1. For best results always keep tyre inflator clean, and check on a weekly basis for damaged parts.

### 7.6. RESTRICTED USE OF THE PRODUCT

- 7.6.1. Only use tyre inflator for it's intended use only.

### 7.7. DISMANTLING THE PRODUCT WHEN OUT OF SERVICE

- 7.7.1. DO NOT attempt to dismantle tyre inflator contact Sealey Service Centre.

### 7.8. TRANSPORT, HANDLING AND STORAGE OF THE PRODUCT

- 7.8.1. When transporting tyre inflator always use the carry handle only. Store tyre inflator in a dry clean place out of the reach of children.

### 7.9. REPAIR OF THE MACHINE

- 7.9.1. For repair contact Sealey Service Centre.

### 7.10. OPERATING METHODS IN THE EVENT OF AN ACCIDENT/BREAKDOWN

- 7.10.1. In the event of an accident or breakdown turn off the tyre inflator immediately and contact sealey service centre.

### 7.11. SPARE PART SPECIFICATION, WHEN THEY AFFECT HEALTH AND SAFETY

- 7.11.1. Refer to the spares list accompanied with these instructions. Always observe health and safety when inflating products with this product.

## 8. END OF LIFE

- 8.11.1. Through years of normal wear, the tyre inflator will eventually become unserviceable. When this happens ensure that it is disposed of in accordance with local authority regulations.



### ENVIRONMENT PROTECTION

Recycle unwanted materials instead of disposing of them as waste. All tools, accessories and packaging should be sorted, taken to a recycling centre and disposed of in a manner which is compatible with the environment. When the product becomes completely unserviceable and requires disposal, drain any fluids (if applicable) into approved containers and dispose of the product and fluids according to local regulations.



REGISTER YOUR  
PURCHASE HERE



### WEEE REGULATIONS

Dispose of this product at the end of its working life in compliance with the EU Directive on Waste Electrical and Electronic Equipment (WEEE). When the product is no longer required, it must be disposed of in an environmentally protective way. Contact your local solid waste authority for recycling information.

NOTE: It is our policy to continually improve products and as such we reserve the right to alter data, specifications and component parts without prior notice. Please note that other versions of this product are available. If you require documentation for alternative versions, please email or call our technical team on [technical@sealey.co.uk](mailto:technical@sealey.co.uk) or 01284 757505.

IMPORTANT: No Liability is accepted for incorrect use of this product.

WARRANTY: Guarantee is 12 months from purchase date, proof of which is required for any claim.

Sealey Group, Kempson Way, Suffolk Business Park, Bury St Edmunds, Suffolk. IP32 7AR



01284 757500



[sales@sealey.co.uk](mailto:sales@sealey.co.uk)



[www.sealey.co.uk](http://www.sealey.co.uk)