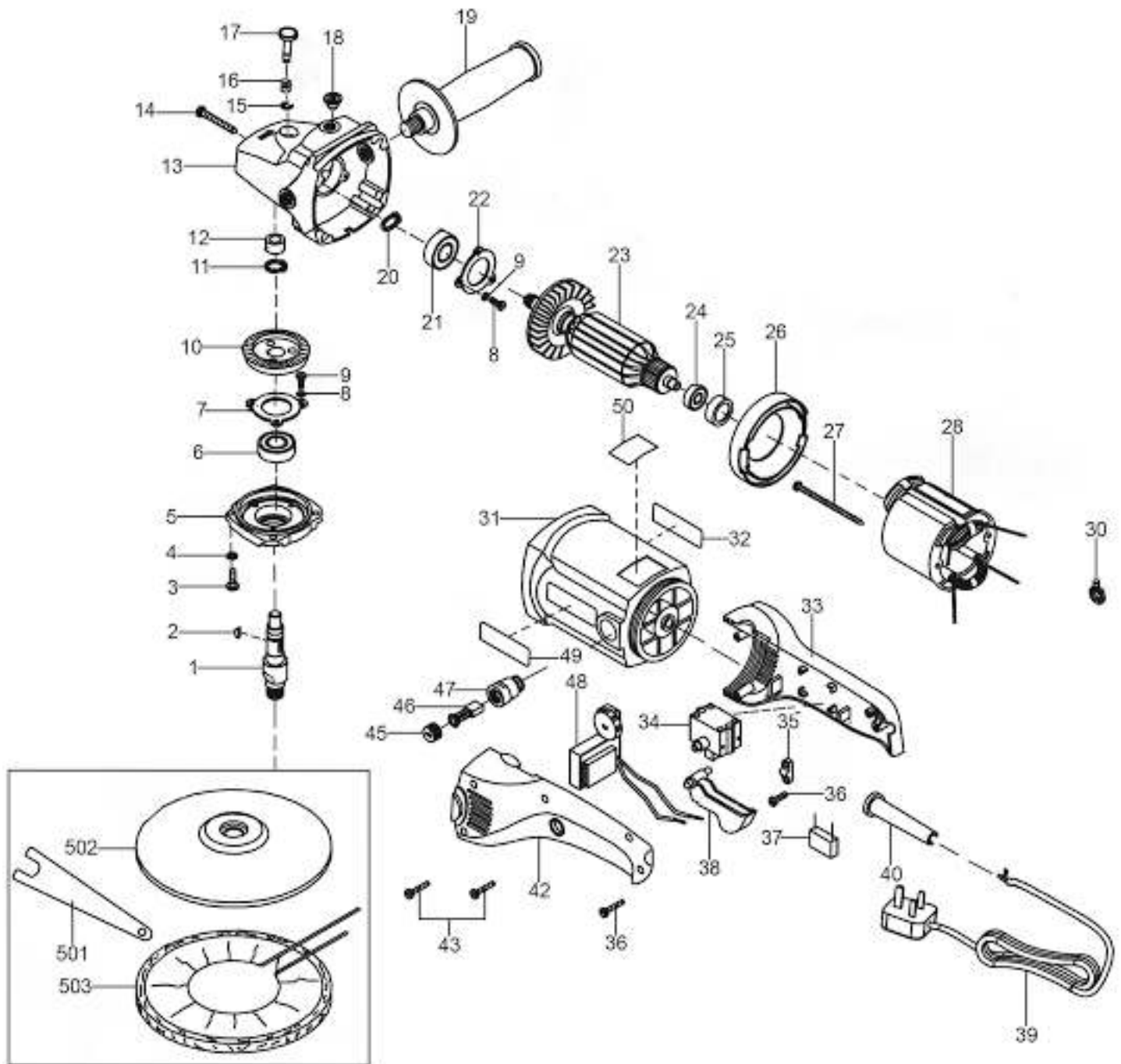




Parts Information:  
**170mm Rotary Variable Speed Sander/  
Polisher 1300W/230V  
Model No: MS900PS**



**NOTE:** It is our policy to continually improve products and as such we reserve the right to alter data, specifications and component parts without prior notice. There may be alternative versions of this product, please contact us should you require this information.

**IMPORTANT:** No liability is accepted for incorrect use of product. Spare parts must be fitted by a competent person

**WARRANTY:** Guarantee is 12 months from purchase date, proof of which will be required for any claim.

Jack Sealey Ltd t/a Sealey Group, Kempson Way, Suffolk Business Park, Bury St Edmunds, Suffolk, IP32 7AR UK

Jack Sealey (EU) Ltd t/a Sealey Group, Farney Street, Carrickmacross, Co. Monaghan, A81 PK68 Ireland

Tel: 01284 757500 • Email: sales@sealey.co.uk • Web: www.sealey.co.uk



TM

Parts Information:  
**170mm Rotary Variable Speed Sander/  
 Polisher 1300W/230V**  
**Model No: MS900PS**

Item	Part No.	Description
1	MS900PS.01	Spindle
2	MS900PS.02	Woodruff Key 4x5x13
3	MS900PS.03	Screw M5 x 16mm
4	SWM5.SB	Spring Washer M5 Black
5	MS900PS.05	Cover, Gear Housing
6	B/6002-2RS	Bearing 6002-2rs
7	MS900PS.07	Bearing Cover
8	SWM4.SB	Spring Washer M4 Black
9	MS900PS.09	Screw M4 x 10mm
10	MS900PS.10	Big Gear
11	RE231.V3-15	External Circlip 12.7mm ID
12	MS900PS.12	Bronze Bushing
13	MS900PS.13	Reducer
14	MS900PS.14	Rd Head S/T Screw M4.8 x 35mm
15	MS900PS.15	E-Ring
16	MS900PS.16	Brake Spring
17	MS900PS.17	Brake Pin
18	MS900PS.18	Rubber Plunge
19	MS900PS.19	Side Handle
20	1050CXLE.08	External Circlip 13.5mm ID
21	B/6201-2RS	Bearing 6201-2rs
22	MS900PS.22	Bearing Cover
23	MS900PS.23	Armature
24	B/608ZZ	Bearing 608zz
25	MS900PS.25	Rubber Bearing Sleeve
26	MS900PS.26	Guide Wind Circle
27	MS900PS.27	Rd Head S/T Screw M4 x 75mm
28	MS900PS.28	Stator
30	MS900PS.30	Connection Spring
31	MS900PS.31	Housing

Item	Part No.	Description
32	MS900PS.32	Type Plate
33	MS900PS.33	Back Handle (Right)
34	MS900PS.34	Switch, Press Button c/w Safety Button (w/o Button Cover) 12A 250V
35	MS900PS.35	Cord Clip
36	PC300SDAV3102	Rd Head S/T Screw M4 x 14mm
37	MS900PS.37	Capacitor 0.33uf
38	MS900PS.38	Cover for Press Button Switch
39	MC2CX1.5R	Mains Cable
40	MS900PS.40	Rubber Sleeve
42	MS900PS.42	Back Handle (Left)
43	S0685.V2-10	Rd Head S/T Screw M4 x 18mm
45	MS900PS.45	Brush Cap
46	MS900PS.46	Carbon Brush (Single)
47	MS900PS.47	Brush Holder
48	MS900PS.48	Switch, Timer c/w Wires & Timer Knob. CT6102/230V - 50Hz
49	MS900PS.49	Name Plate 1
50	MS900PS.50	Name Plate 2
501	MS900PS.501	Spanner 22mm
502	MS900PS.502	Polishing Disc
503	MS900PS.503	Woolen Fabrics Cover
--	MS900PS.01A	Pad Nut (Not Shown)
--	MS900PS.29	Inductance (Not Shown)
--	MS900PS.41	Screw ST4 x 14mm F (Not Shown)
--	MS900PS.44	Screw ST4 x 22mm F (Not Shown)
--	126/41609510	6-1/2" Rubber Backing Pad (Not Shown)
--	126.48106903	Pad nut (M14 x 2 34-5mm Pin) (Not Shown)
--	SG115.V2-53	Pin Spanner (Not Shown)

**NOTE:** It is our policy to continually improve products and as such we reserve the right to alter data, specifications and component parts without prior notice. There may be alternative versions of this product, please contact us should you require this information.

**IMPORTANT:** No liability is accepted for incorrect use of product. Spare parts must be fitted by a competent person

**WARRANTY:** Guarantee is 12 months from purchase date, proof of which will be required for any claim.

Jack Sealey Ltd t/a Sealey Group, Kempson Way, Suffolk Business Park, Bury St Edmunds, Suffolk, IP32 7AR UK

Jack Sealey (EU) Ltd t/a Sealey Group, Farney Street, Carrickmacross, Co. Monaghan, A81 PK68 Ireland

Tel: 01284 757500 - Email: sales@sealey.co.uk - Web: www.sealey.co.uk