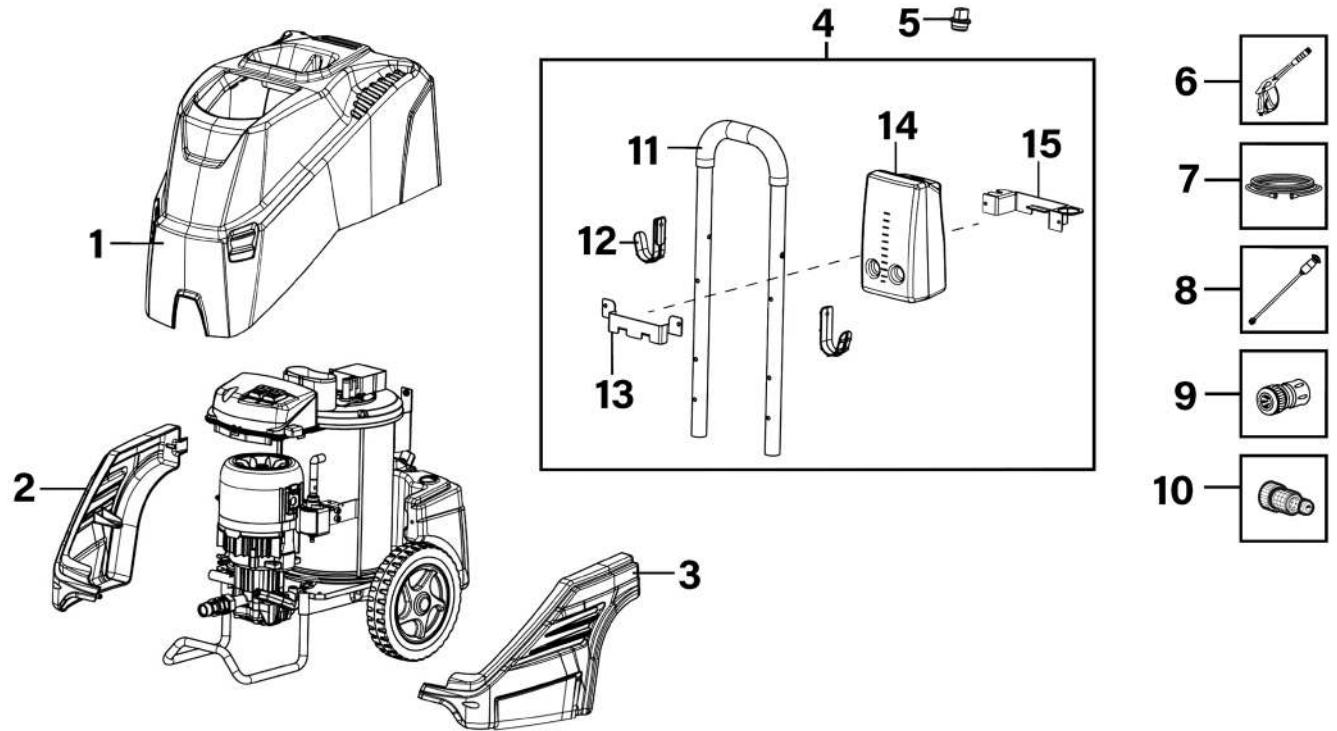


Parts Information:  
**Hot/Cold Water Pressure Washer 135bar 2300W/230V**  
**Model No: PW2000HW.V2**

Item	Part No.	Description
1	PW2000HW-V2-F01	Upper Cover, Blue
2	PW2000HW-V2-F02	Right Side Plate
3	PW2000HW-V2-F03	Left Side Plate
4	PW2000HW-V2-F04	Handle/Detergent Tank Assembly
5	PW2000HW-V2-F05	Tank Plug, Black
6	PW2000HW.09	Gun
7	PW2000HW.10	Hose 1/4" R1 250bar 8000mm 3/8"F
8	PW2000HW-V2-F08	Lance Hi/Low M22 (Max 220bar 3200psi)
9	PW2000HW.16	Quick Coupling with Valve
10	PW2000HW-V2-F10	Quick Coupling (c/w Inspection Filter)
11	PW2000HW-V2-F11	Handle
12	PW2000HW-V2-F12	Hook for Handle
13	PW2000HW-V2-F13	Internal Detergent Tank Support Bracket
14	PW2000HW-V2-F14	Detergent Tank
15	PW2000HW-V2-F15	External Detergent Tank Support Bracket



**NOTE:** It is our policy to continually improve products and as such we reserve the right to alter data, specifications and component parts without prior notice.

There may be alternative versions of this product, please contact us should you require this information.

**IMPORTANT:** No liability is accepted for incorrect use of product. Spare parts must be fitted by a competent person

**WARRANTY:** Guarantee is 12 months from purchase date, proof of which will be required for any claim.

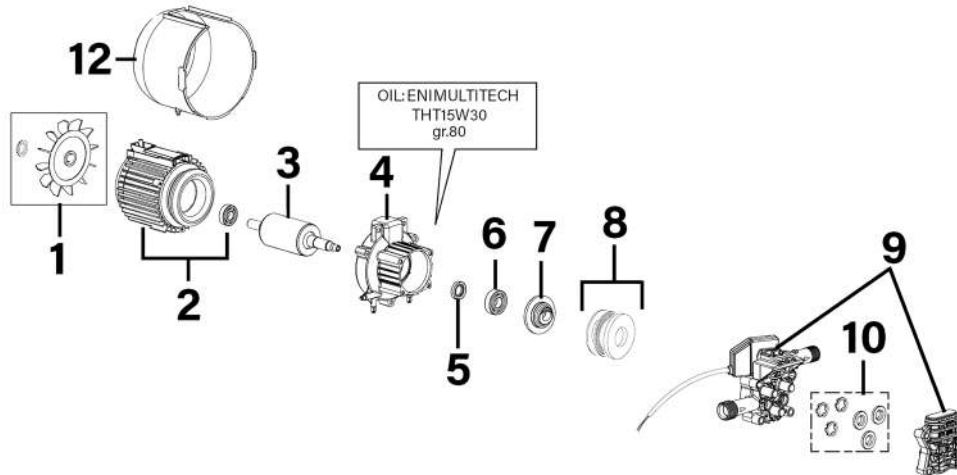
Jack Sealey Ltd t/a Sealey Group, Kempson Way, Suffolk Business Park, Bury St Edmunds, Suffolk, IP32 7AR UK

Jack Sealey (EU) Ltd t/a Sealey Group, Farney Street, Carrickmacross, Co. Monaghan, A81 PK68 Ireland

Tel: 01284 757500 • Email: sales@sealey.co.uk • Web: www.sealey.co.uk

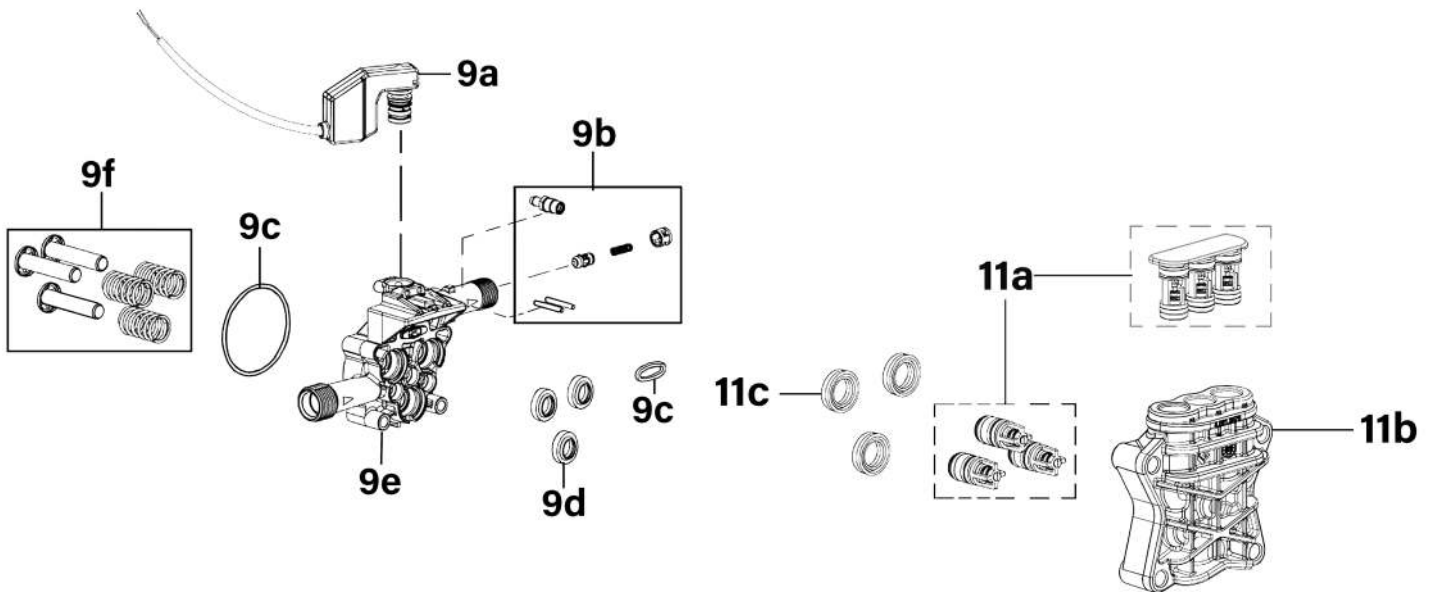


Parts Information:  
**Hot/Cold Water Pressure Washer 135bar**  
**2300W/230V**  
**Model No: PW2000HW.V2**



Item	Part No.	Description
1	PW2000HW-V2-MP01	Motor Fan (c/w Fan Ring)
2	PW2000HW-V2-MP02	Motor Housing
3	PW2000HW-V2-MP03	Rotor
4	PW2000HW.MP14	Front Flange
5	PW2000HW-V2-MP05	Oil Seal Ring (Ø17 x 35 x 7mm)
6	PW2000HW-V2-MP06	Radial Bearing
7	PW2000HW-V2-MP07	Wobble Plate

Item	Part No.	Description
8	PW2000HW.MP19	Thrust Ring Kit
9	PW2000HW.MP33	Pump Head Complete
9	PW2000HW-V2-MP09N	Piston Body Complete (New Type)
10	PW2000HW-V2-MP10	O-Ring Seal Kit - Kit257
12	PW2000HW-V2-MP12	Motor Fan Cover



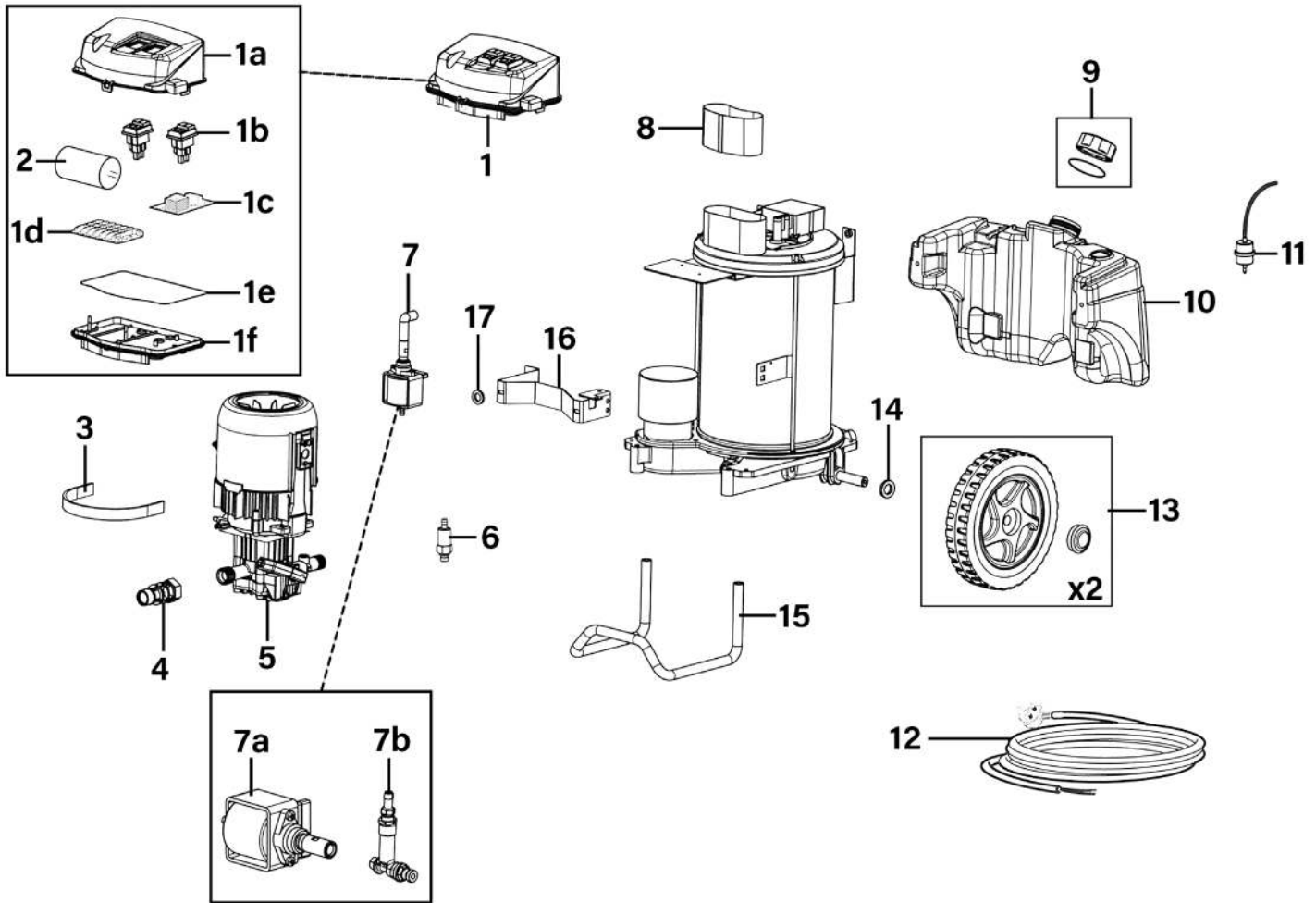
Item	Part No.	Description
9A	PW2000HW-V2-MP09-09A	TSS Assembly
9B	PW2000HW-V2-MP09-09B	Quick Coupling with Valve
9C	PW2000HW-V2-MP09-09C	O-Ring & Seal Kit
9D	PW2000HW-V2-MP09-09D	Oil Seal Kit
9E	PW2000HW-V2-MP09N	Piston Body Complete

Item	Part No.	Description
9F	PW2000HW-V2-MP09-09F	Piston Pin Kit
11A	PW2000HW-V2-MP09-11A	Valve Head Kit
11B	PW2000HW-V2-MP09-11B	Pump Head
11C	PW2000HW-V2-MP09-11C	O-Ring Water Seal Kit

**NOTE:** It is our policy to continually improve products and as such we reserve the right to alter data, specifications and component parts without prior notice. There may be alternative versions of this product, please contact us should you require this information.

**IMPORTANT:** No liability is accepted for incorrect use of product. Spare parts must be fitted by a competent person

**WARRANTY:** Guarantee is 12 months from purchase date, proof of which will be required for any claim.



Item	Part No.	Description
1	PW2000HW-V2-01	Control Panel 230V
1A	PW2000HW-V2-01A	Electrical Box Cover
1B	PW2000HW.B08	Switch, On/Off Rocker 12A 250V (c/w Protective Cover)
1C	PW2000HW-V2-01C	Electrical Board
1D	PW2000HW.B12	Terminal Board
1E	PW2000HW-V2-01E	Gasket Seal for Electrical Box Cover
1F	PW2000HW.B14	Electrical Box Base
2	PW2000HW-V2-02	Capacitor 32µF 450V
3	PW2000HW-V2-03	Collar for Motor/Pump
4	PW2000HW-V2-04	Inlet Extension Kit
5	PW2000HW.B55	Motor/Pump (4 wires)
6	PW2000HW.B29	Security Valve
7	PW2000HW-V2-07	Fuel Pump (c/w Valve)

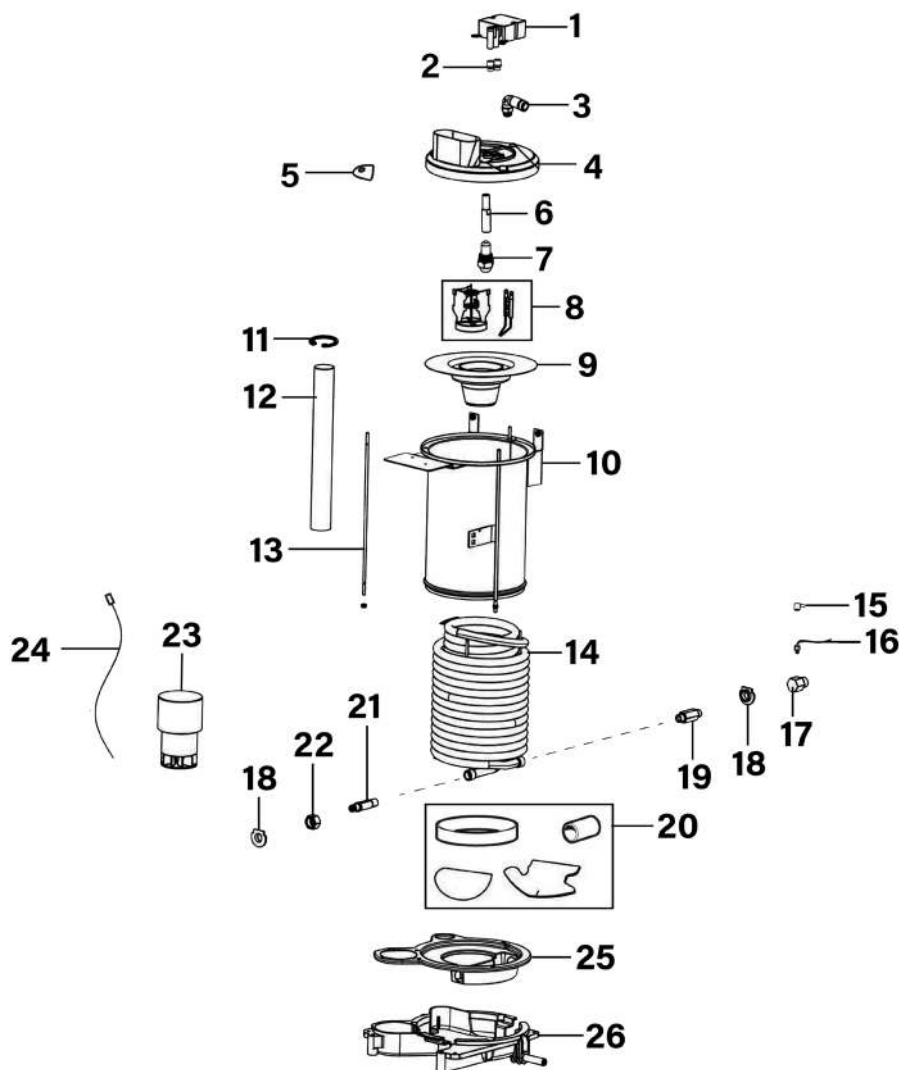
Item	Part No.	Description
7A	PW2000HW-V2-07A	Fuel Pump 48W 230/50Hz
7B	PW2000HW.B43	Adjusting Valve Set
8	PW2000HW-V2-08	Chimney Extension
9	PW2000HW-V2-09	Fuel Tank Cap (c/w Seal)
10	PW2000HW-V2-10	Fuel Tank
11	PW2000HW-V2-11	Fuel Filter
12	PW2000HW-V2-12	Power Cable
13	PW2000HW-V2-13	Wheel Kit
14	PW2000HW-V2-14	Washer for Wheel
15	PW2000HW-V2-15	Lower Support Bracket
16	PW2000HW-V2-16	Motor Support Bracket
17	PW2000HW-V2-17	Bushing for Motor Support Bracket

**NOTE:** It is our policy to continually improve products and as such we reserve the right to alter data, specifications and component parts without prior notice. There may be alternative versions of this product, please contact us should you require this information.

**IMPORTANT:** No liability is accepted for incorrect use of product. Spare parts must be fitted by a competent person

**WARRANTY:** Guarantee is 12 months from purchase date, proof of which will be required for any claim.

Parts Information:  
**Hot/Cold Water Pressure Washer 135bar**  
**2300W/230V**  
**Model No: PW2000HW.V2**



Item	Part No.	Description
1	PW2000HW.B34	Transformer 230-240V/50-60Hz 2x14kV 20mA (c/w Lead)
2	PW2000HW-V2-B02	Gasket Stud
3	PW2000HW.B02	Elbow Connection
4	PW2000HW.B05	Cap for Boiler
5	PW2000HW.B61	Boiler Cap Kit
6	PW2000HW.B37	Nozzle Holder Pin
7	PW2000HW-V2-B07	Nozzle - Danfoss 0.50gph 60H (Diesel - Steel)
8	PW2000HW-V2-B08	Complete Deflector (c/w Electrode)
9	PW2000HW.B40	Disc Head Holder
10	PW2000HW-V2-B10	Body for Boiler
11	PW2000HW-V2-B11	Lock Ring
12	PW2000HW.B06	Tube Ø40 x 325mm
13	PW2000HW.B20	Boiler Rod M6 x 352mm

Item	Part No.	Description
14	PW2000HW.B41	Coil Ø202
15	PW2000HW.B50	Rubber Protection for Thermic
16	PW2000HW.B51	Thermal Protector
17	PW2000HW.B52	Delivery Connection
18	PW2000HW-V2-B18	Seal for Heating Coil
19	PW2000HW.B53	Tube 42mm
20	PW2000HW-V2-B20	Boiler Refractory Kit
21	PW2000HW-V2-B21	Rod
22	PW2000HW-V2-B22	Nut for Rod M22 x 1.5mm
23	PW2000HW-V2-B23	Burner Motor Assembly
24	PW2000HW-V2-B24	Cable for Burner Motor
25	PW2000HW.B26	Boiler Pad
26	PW2000HW.B30	Boiler Base Plate

**NOTE:** It is our policy to continually improve products and as such we reserve the right to alter data, specifications and component parts without prior notice. There may be alternative versions of this product, please contact us should you require this information.

**IMPORTANT:** No liability is accepted for incorrect use of product. Spare parts must be fitted by a competent person

**WARRANTY:** Guarantee is 12 months from purchase date, proof of which will be required for any claim.