



# 26" WALK BEHIND GARDEN SWEEPER 200L CAPACITY

MODEL No: **SLS26**

Thank you for purchasing a Sealey product. Manufactured to a high standard, this product will, if used according to these instructions, and properly maintained, give you years of trouble free performance.

**IMPORTANT:** PLEASE READ THESE INSTRUCTIONS CAREFULLY. NOTE THE SAFE OPERATIONAL REQUIREMENTS, WARNINGS & CAUTIONS. USE THE PRODUCT CORRECTLY AND WITH CARE FOR THE PURPOSE FOR WHICH IT IS INTENDED. FAILURE TO DO SO MAY CAUSE DAMAGE AND/OR PERSONAL INJURY AND WILL INVALIDATE THE WARRANTY. KEEP THESE INSTRUCTIONS SAFE FOR FUTURE USE.



Refer to instruction manual



Wear eye protection



Wear protective gloves



Wear safety footwear

## 1. SAFETY

- ✓ Read the entire manual carefully before using the garden sweeper. Failure to follow instructions may result in serious injury.
- ✓ Before each use, check that there is no damage to the garden sweeper and that all fixings are tight.
- ✓ Replace or repair damaged parts. Use only recommended parts. Unauthorised parts may be dangerous and will invalidate the warranty.
- ✓ Keep children, pets, and bystanders away from the work area. The garden sweeper contains moving parts that can cause injury.
- ✓ Avoid large holes and ditches when using the sweeper.
- ☐ **WARNING!** The brushes rotate during operation. Keep hands, feet, and clothing away from moving parts.
- ☐ **WARNING!** Be aware of pinch points where the hopper, axle, and brush assembly connect. Keep fingers and hands clear when adjusting or servicing.
- ☐ **WARNING!** Use caution when operating on slopes. Avoid steep inclines to prevent tipping or loss of control.
- ☐ **WARNING!** Always use caution when unloading the sweeper.
- ☐ **WARNING!** Always clear and keep the work area clean when operating.
- ☐ **WARNING!** Always wear safety gear, eye protection, gloves and work boots when operating the sweeper.
- ☐ **WARNING!** Replace or repair damaged or worn parts immediately.
- ☐ **WARNING!** Always use caution when unloading the sweeper.
- ☐ **WARNING!** Never tow the sweeper with a motorized vehicle.
- ✗ **DO NOT** push close to streams, ditches and public highways.
- ✗ **DO NOT** allow children to play on, stand upon or climb in the sweeper.
- ✗ **DO NOT** at any time carry passengers, sit or stand on the sweeper.
- ✓ The warnings, cautions, and instructions in this manual cannot cover every possible condition or situation that may arise during use. The operator must understand that common sense, attention, and good judgment are essential for safe operation. These qualities cannot be built into the product, they must be supplied by the operator.

## 2. INTRODUCTION

Large brush for efficient cleaning over large surface areas. Walk-behind push design allows simple, effortless sweeping. Fitted with durable wheels for smooth operation across garden surfaces. Adjustable brush height for effective sweeping on varied debris and surfaces. Ideal for clearing leaves, hay, and grass clippings in outdoor environments. Integrated support legs prevent the sweeper from tipping when not in use. 200L Debris container for extended use between emptying.

## 3. SPECIFICATION

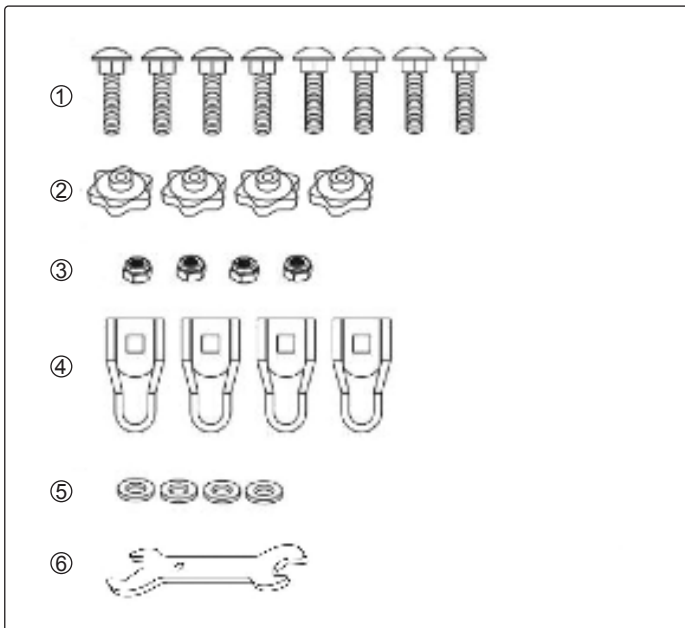
Model No:	<b>SLS26</b>
Capacity:	200L
Debris Type:	Hay, Leaves and Grass clippings
Dumping Mechanism:	Hand Held Tilting
Height Adjustment:	15 to 35mm
Nett Weight:	14.6kg

1	Handle
2	Hopper Bag
3	Support Leg
4	Wheels
5	Locking Handle (Illustration only)



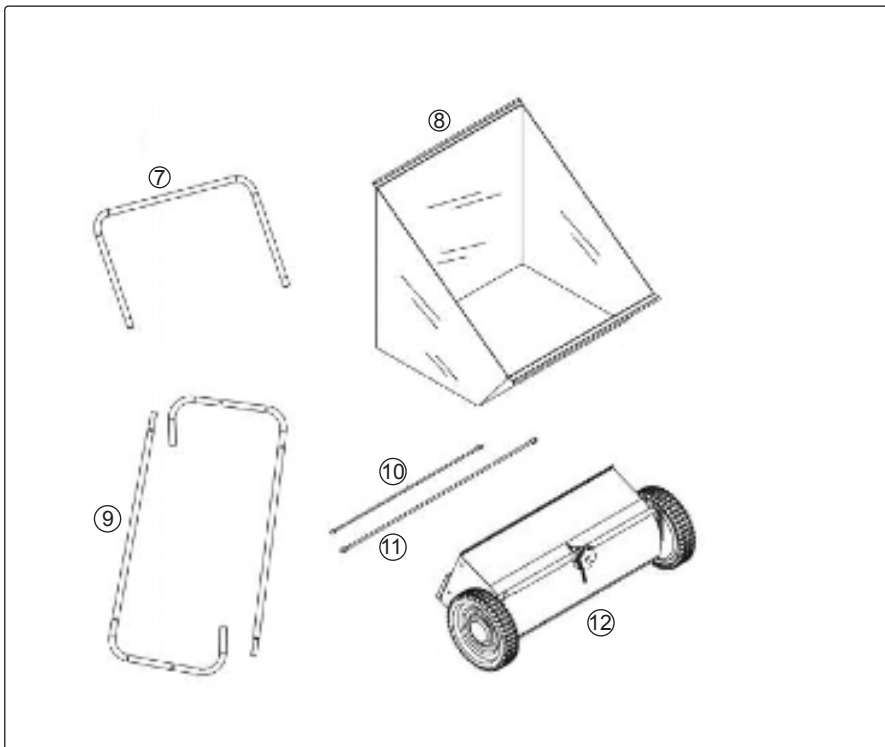
## 4. CONTENTS

- 4.1. Open the carton and remove any loose parts, including those found inside bags or tucked into corners. Lay all items out on a flat surface and separate them for easy visibility. Identify each part by comparing it with the attached parts information list or manual, checking labels and quantities to ensure nothing is missing. Before beginning assembly, inspect all components for any signs of damage that may have occurred during shipping, and take a moment to familiarise yourself with the hardware and tools required so the process proceeds smoothly. Keeping parts organised will help prevent confusion and make final assembly faster and more efficient.



The numbers correspond only to the parts shown in the graphic to the left.

ITEM	DESCRIPTION	QTY
1	Coach Bolt M6 x 30mm	8
2	Handle Knob	4
3	Nyloc Nut M6 Zinc	12
4	Bag Rod Clip	4
5	Flat Washer M6 Zinc	8
6	Wrench	1



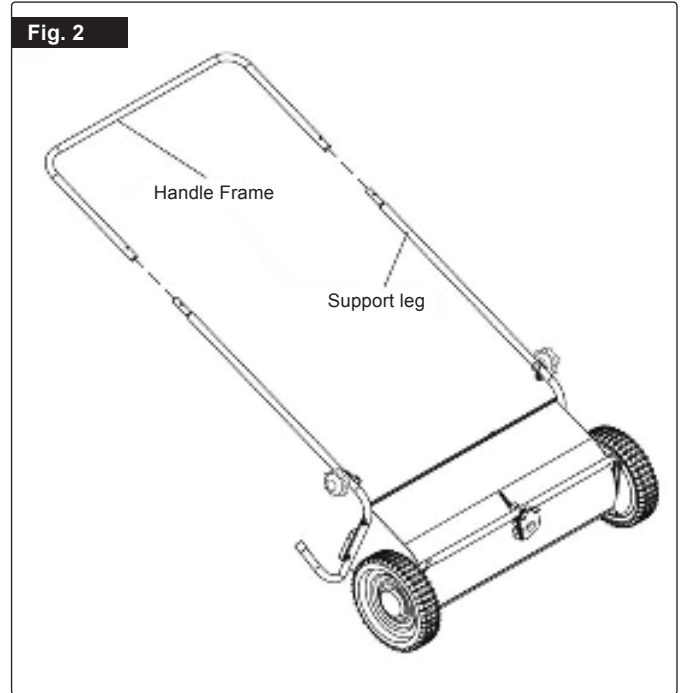
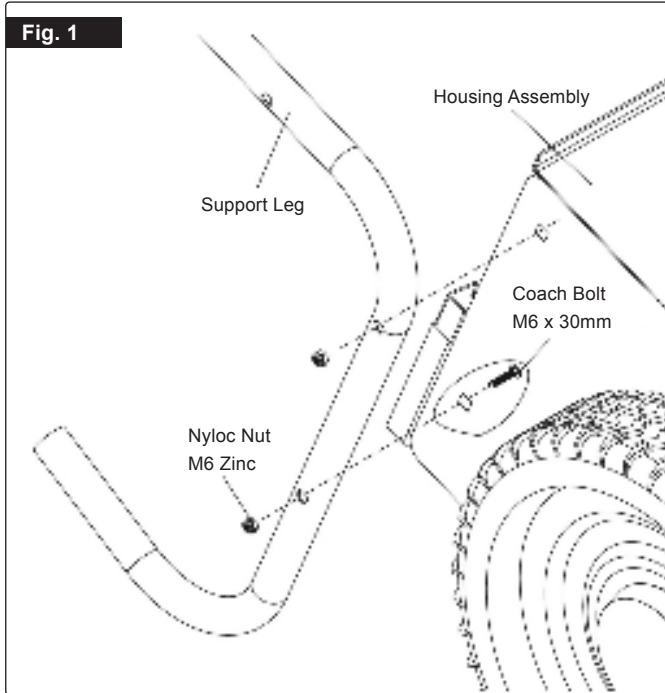
The numbers correspond only to the parts shown in the graphic to the left.

ITEM	DESCRIPTION	QTY
7	Handle Frame	1
8	Hopper Bag	1
9	Support Leg	2
10	Bag Rod (Short)	1
11	Bag Rod (Long)	1
12	Housing Assembly	1

Once everything has been checked and laid out, follow the assembly instructions on the next pages for complete guidance on putting the unit together. The illustrations provided will help you understand the orientation of each component and how they should fit. Study the diagrams before starting to reduce the chance of mistakes, and as you proceed, ensure each part is properly aligned and fully seated before tightening any hardware. Correct assembly is essential for safe operation and long-term durability of the product.

## 5. ASSEMBLY

- 5.1. STEP 1: Install Support Legs to Sweeper Housing:** Attach the support leg to the sweeper assembly and secure it with a Coach Bolt M6 x 30mm and an Nyloc Nut M6 Zinc. Loosely tighten, then repeat for the other side.

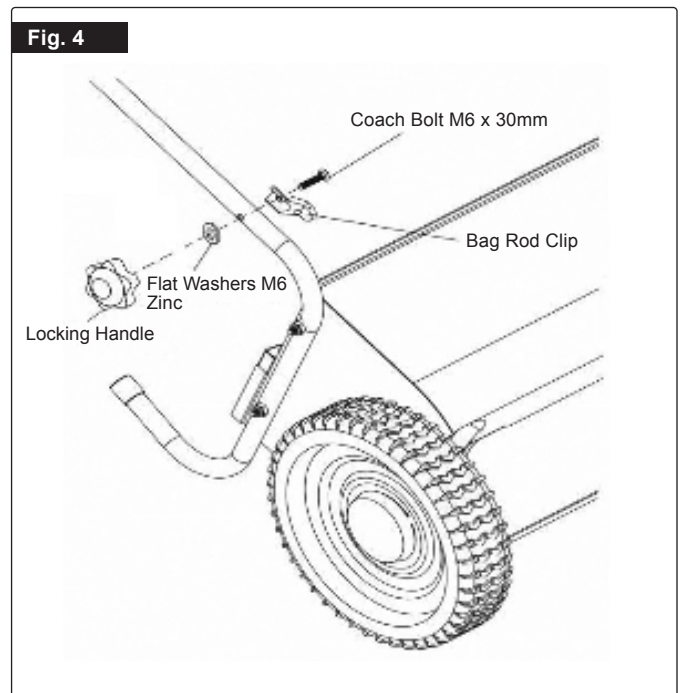
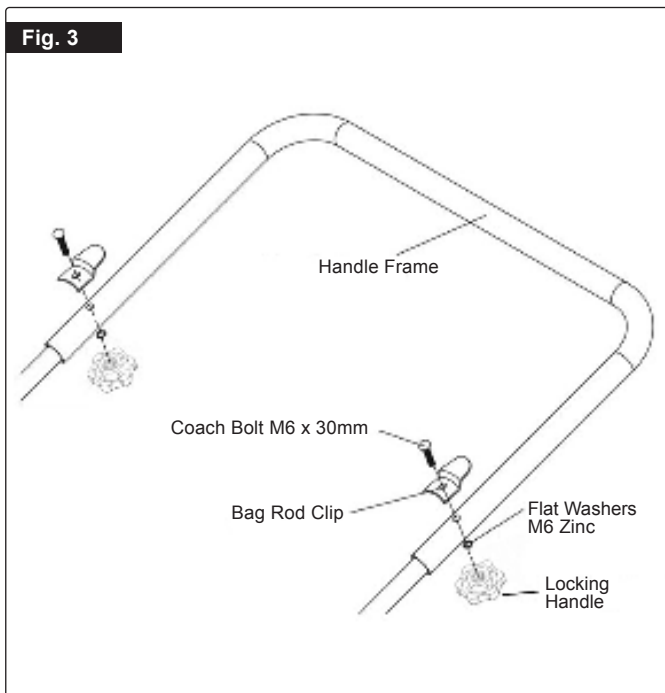


- 5.2. STEP 2: Attach Push Handle to Support Legs:**

1. Insert the handle frame into the support legs (Fig. 2).
2. Secure the handle frame to the support legs using a Coach Bolt M6 x 30mm, Bag Rod Clips, Flat Washers M6 Zinc, Spring Washer M6 Zinc, and Locking Handle (Fig. 3).
3. Tighten all hardware from Steps 1 and 2.

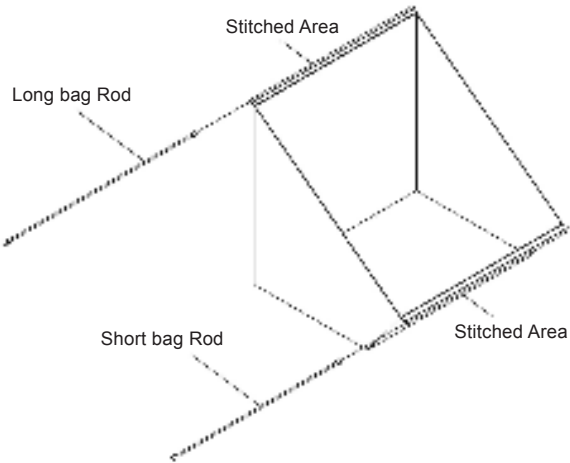
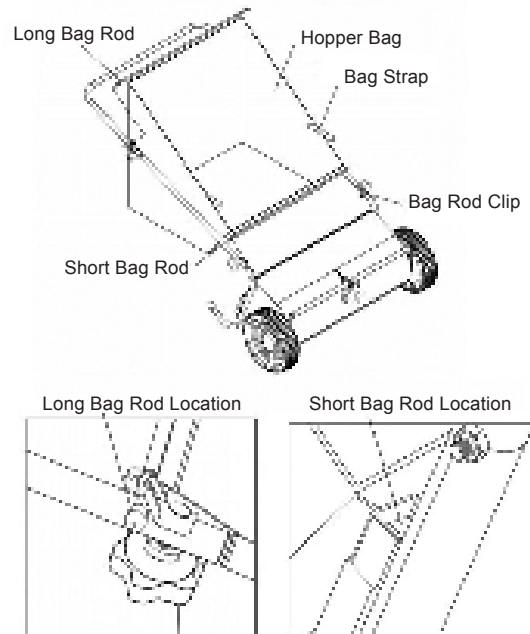
- 5.3. STEP 3: Attach Bag Rod Clips:**

Install a Bag Rod Clip on each side of the Support Legs and secure each with a Coach Bolt M6 x 30mm, a Flat Washers M6 Zinc, and a Locking Handle (Fig. 4).

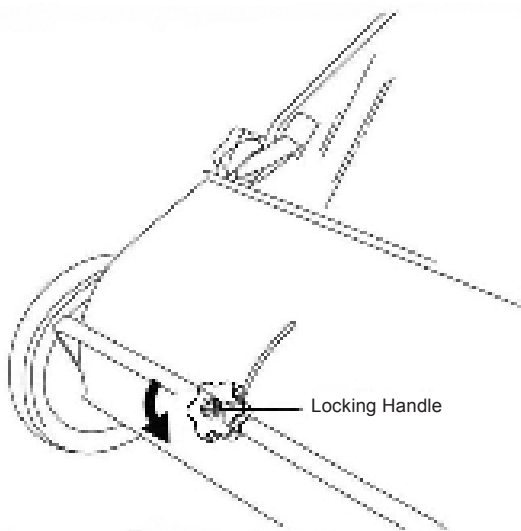
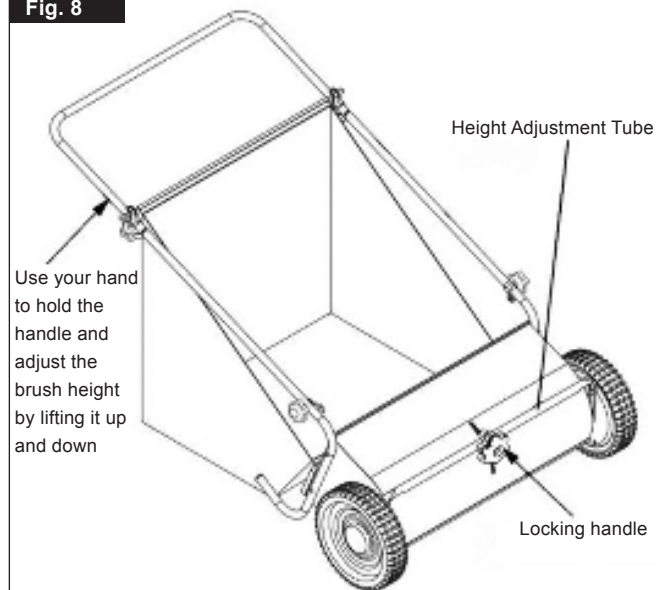


- 5.4. STEP 4: Assemble Hopper Bag Hardware:**

Slide the Long Bag Rod through the top opening of the hopper bag, and slide the Short Bag Rod through the bottom opening of the Hopper Bag (Fig. 5) on the next page.

**Fig. 5****Fig. 6****5.5. STEP 5: Attach Hopper Bag to Sweeper:**

1. Place the hopper bag assembly inside the sweeper frame. Insert the long rod into the two rod clips at the top and the short rod into the clips at the bottom.
2. Hook the plastic straps on the bag flaps under the bag clips on the support legs (Fig. 6).
3. Ensure all hardware is installed correctly before operating the sweeper.

**Fig. 7****Fig. 8****6. OPERATION**

**WARNING!** Before using the push sweeper, ensure that the sweeper is correctly assembled and that all hardware is fully tightened.

**6.1. BRUSH HEIGHT ADJUSTMENT**

- 6.1.1. Unlock the height adjustment by turning the locking Handle counterclockwise (Fig. 7).
- 6.1.2. Hold the handle (see arrow) and adjust the brush height by lifting the handle up and down several times. Tighten the locking handle once the desired height is reached.

**NOTE:** You may need to use your hands to slide the height adjustment tube for proper placement.

**6.2. BASIC SWEEPING METHOD**

- 6.2.1. Push the sweeper forward at a normal walking speed; it will not operate when pulled backward.

**NOTE:** For best results, mow the grass to an even height before sweeping.

**6.3. DUMPING THE HOPPER BAG**

- 6.3.1. To dump the hopper bag, remove it from the garden sweeper and empty the contents.

**WARNING!** Always dump the hopper bag after each use.

Damp or wet grass and leaves can damage the hopper if stored for an extended period.

- ❑ **WARNING! DO NOT** dump or unload the sweeper near a fire, as the brushes and hopper bag can be destroyed by heat or flames.

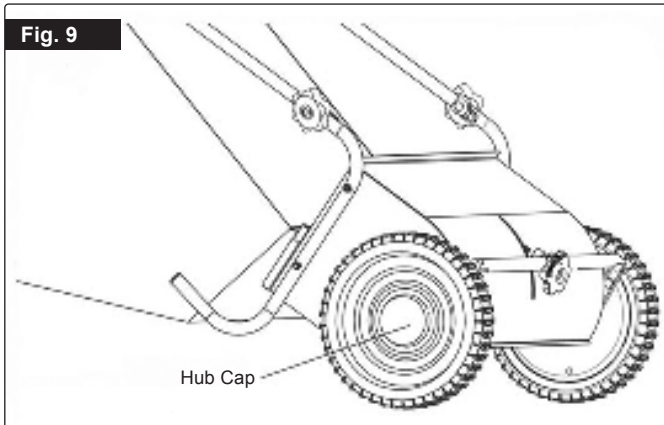
## 7. MAINTENANCE

### 7.1. GENERAL

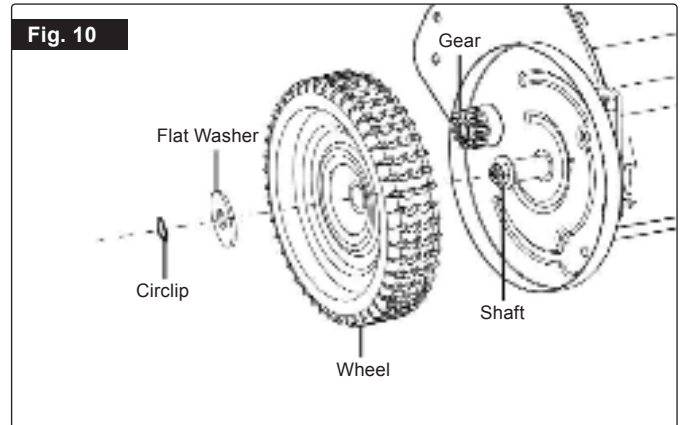
7.1.1. After each use, dump and clean the hopper, and rinse and dry the inside and outside of the sweeper. Periodically check all nuts, bolts, and screws for proper tightness, and annually clean and lightly lubricate all moving parts. Touch up any scratched or worn painted metal surfaces using glossy enamel spray paint. Never exceed the hopper load capacity of 43.99 UK gal (200 L), as overloading may damage the hopper bag.

### 7.1.2. LUBRICATION

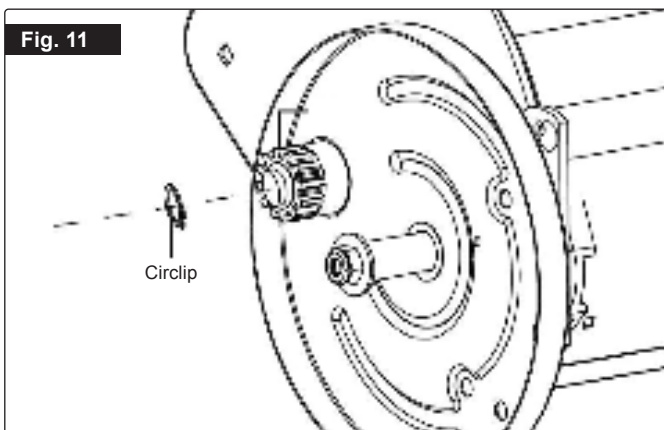
7.1.3. The bearings in the sweeper are pre-lubricated at the factory. However, it is recommended to add a few drops of light oil to the brush shaft bearings twice a year. Additionally, the gear should be cleaned every two years, and after cleaning, an even coat of light grease should be applied.



7.1.4. Use a screwdriver to pry off the hub cap (Fig.9).

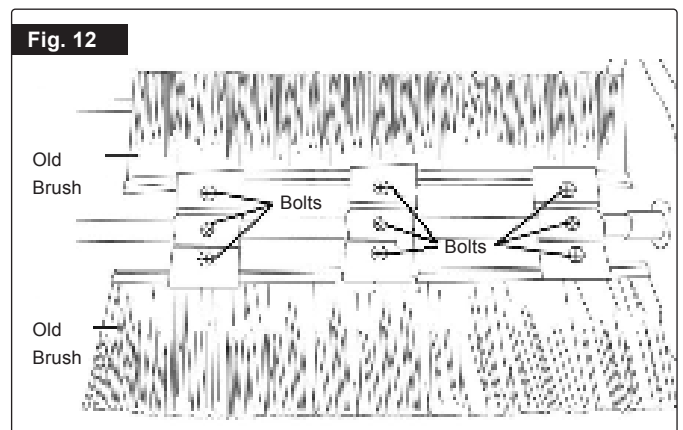


7.1.5. To remove the wheel, take out the circlip and the flat washer; the gear and shaft will then be exposed (Fig.10).



7.1.6. Remove the circlip from the gear, then lift the gear off easily (Fig.11).

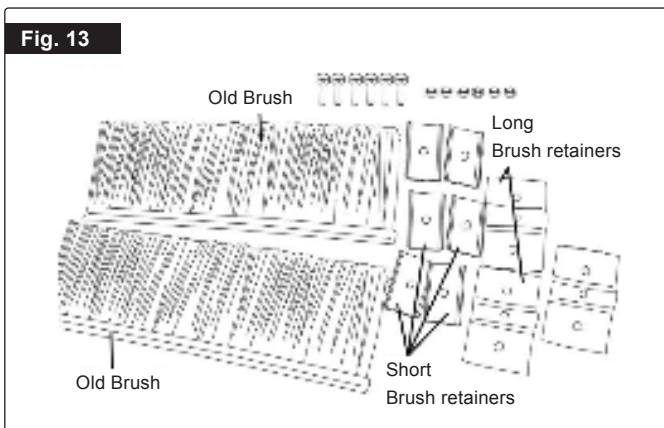
7.1.7. Clean the gear and lubricate the shaft as needed, then reassemble the wheel in the reverse order.



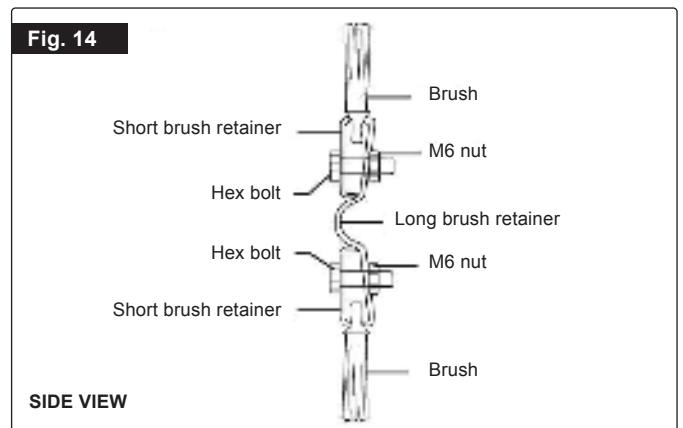
### 7.2. BRUSH REPLACEMENT

7.2.1. Before replacing the brush, remove the hopper bag from the sweeper and flip the sweeper over.

7.2.2. Remove all nuts and bolts on the brush retainers that secure the brushes (Fig.12).



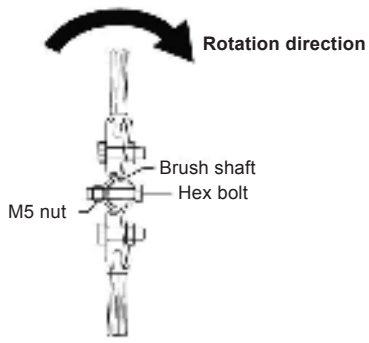
7.2.3. Remove the old brushes, along with the long and short brush retainers, from the sweeper (Fig.13).



7.2.4. Insert the new brushes between the long and short brush retainers, and secure them with M6 nuts and hex bolts (Fig. 14).

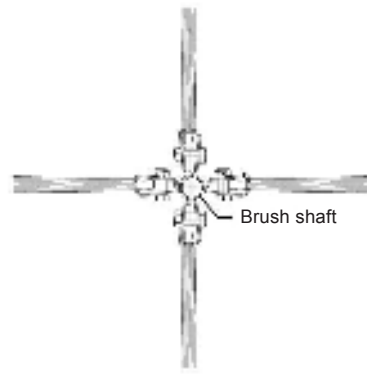
7.2.5. Fit the brush assembly onto the brush shaft and secure it with an M5 nut and M5 bolt (Fig. 15, shown on the next page).

Fig. 15



SIDE VIEW

Fig. 16



SIDE VIEW

7.2.6. Repeat the previous steps to install the remaining brush.

**NOTE:** The two sets of brushes should remain vertical to each other after assembly (Fig. 16).

**7.3. STORAGE**

7.3.1. Store the sweeper indoors or in a protected area during severe weather and the winter months. Never leave any material in the hopper bag for an extended period. Before storing, ensure that the sweeper is clean and completely dry.



**ENVIRONMENT PROTECTION**

Recycle unwanted materials instead of disposing of them as waste. All tools, accessories and packaging should be sorted, taken to a recycling centre and disposed of in a manner which is compatible with the environment. When the product becomes completely unserviceable and requires disposal, drain any fluids (if applicable) into approved containers and dispose of the product and fluids according to local regulations.



REGISTER YOUR PURCHASE HERE

**Note:** It is our policy to continually improve products and as such we reserve the right to alter data, specifications and component parts without prior notice.

**Important:** No Liability is accepted for incorrect use of this product.

**Warranty:** Guarantee is 12 months from purchase date, proof of which is required for any claim.

Jack Sealey Ltd t/a Sealey Group, Kempson Way, Suffolk Business Park, Dory St Edmunds, Suffolk, IP12 7NR UK  
Jack Sealey (EU) Ltd t/a Sealey Group, Farnley Street, Carrickmacross, Co. Monaghan, A01 PK60 Ireland  
Tel: 01264 757500 • Email: sales@sealey.co.uk • Web: www.sealey.co.uk