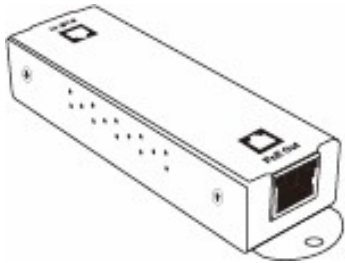


2-Port Gigabit PoE+ Extender

1 Port PoE In + 1 Port PoE Out

Quick Installation Guide



FCC Warning

This device has been tested and found to comply with limits for a Class A digital device and pursuant to Part 15B of FCC Rules. These limits are designed to provide a reasonable protection against harmful interference when the equipment is operated in a commercial environment. This equipment generates and radiates radio frequency energy. If it's not installed and used in accordance with the user's manual, it may cause interference. In which case, users will be required to correct interference at their own expenses.

CE Warning

This is a Class A product. In a domestic environment, this product may cause radio interference in which case the user may be required to take adequate measures.

Introduction

Extending a distance to another 100M per extender and cascading for a longer distance.

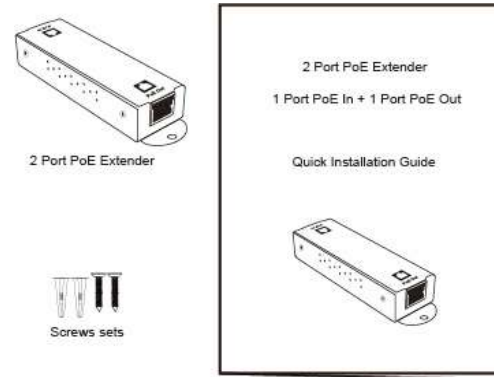
This PoE+ extender provides 1 Port 10/100/1000M PD input port and 1 Port 10/100/1000M PSE output port with electric power that is compliant with IEEE 802.3at standard. It can extend the distance via Cat. 5e/6 cable without any special equipment.

The PD port can be connected via Cat. 5e/6 cable to other PSE/PoE and get the power source from other PSE port through Cat. 5e/6 cable. The PSE/PoE port can be connected to other PD via Cat. 5e/6 cable and extend a distance to another 100M through this device. It is designed for easy installation and high performance to an environment where the traffic is on the network and the number of users is increased continuously.

Package Contents

Before you start to install this switch, please verify your package that contains the following items:

- One 2 Port Gigabit PoE+ Extender
- One Quick Installation Guide
- Two screw sets for wall mounting.



Note: If any of these items is found missing or damaged, please contact your local supplier for replacement.

Key Features

- 2 Port PoE+ Extender: 1 Port 10/100/1000M PoE In (Data + Power in) and 1 Port 10/100/1000M PoE Out (Data + Power out) which is compliant with IEEE 802.3at, IEEE 802.3u 100BaseTX, IEEE 802.3ab 1000BaseT and IEEE 802.3at PoE.
- 1 Port (Data + Power in) is IEEE 802.3at Powered Device (PD) getting power source from other PSE
- 1 Port (Data + Power out) is IEEE 802.3at Power Sourcing Equipment (PSE) providing power source to other PD
- Dedicated full-duplex 2000Mbps bandwidth
- Smart plug & play.

Front Panel (LEDs)

LED Indicator of 2 Port PoE Extender

LED	Status	Description
PoE	On	PoE function ON
	Off	PoE function OFF or no connection
Data	On	Port is connected
	Off	No connection.
	Flashing	Data is transmitting or receiving

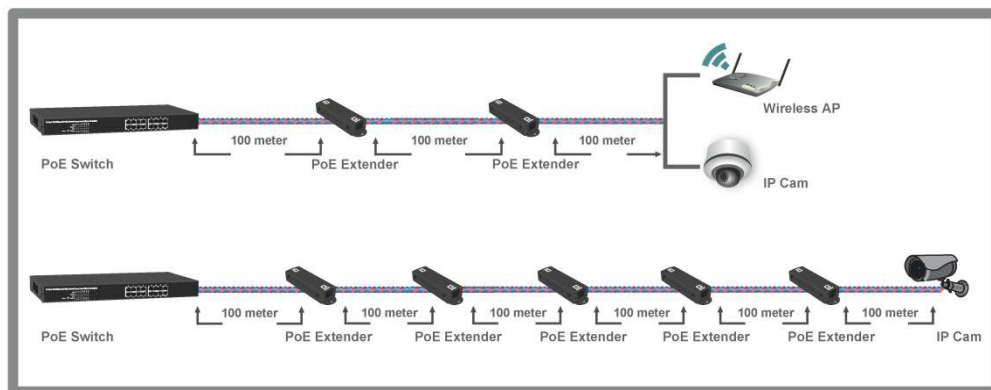
Technical Specifications

Standards	IEEE 802.3at IEEE 802.3 10BaseT IEEE 802.3u 100BaseTX IEEE 802.3ab 1000BaseT IEEE 802.3x Flow control
Features	Number of Ports: 1 x PoE In (Data + Power in) +1 x PoE Out (Data + Power out) Method: Store and Forward
Filtering/ Forwarding Rates	1000Mbps – 1,488,000pps 100Mbps port – 148,800pps 10Mbps – 14,880pps
Transmission Media	Cat. 5e/6 UTP/STP
LED Indicators	Per Port: Link/Act, PoE
Dimensions	20 x 32 x 123 mm
Weight	100g
Environmental Specifications	Operating Temperature: 0 to 50 °C Storage Temperature: -10 to 70 °C Humidity: 10 to 90% RH (non-condensing)
Certifications	CE, FCC Class A, VCCI

Connections

PSE/PD to 2 Port PoE Extender

This PoE extender provides automatic crossover detection functionality. Via a twisted pair cable straight through, this PoE extender can be connected to other PSE/PD.



Power and Extend Distance

Power is supplied through Cat. 5e/6 cable from other PSE and extend a distance to another 100M through this device. Please see the table below for your reference.

PoE Source	Number of PSD-311G	Distance (m)	PD voltage (V)	PD Max power (W)
802.3at PoE switch	1	200	42.4	24.592
	2	300	38	17.9
	3	400	33.7	16.176
	4	500	31.4	12.56
	5	600	30.8	8.624

***All the values listed here are the MAX. value from tests based on a PoE switch with 56V output performed in a ideal lab environment. The actual value may be different due to network environments and the quality of your cable.**