



GLXD6

Guitar Pedal Receiver with Integrated Tuner

The Shure GLXD6 Guitar Pedal Receiver user guide.
Version: 4.4 (2021-B)

Table of Contents

| | | | |
|---|-----------|--|-----------|
| GLXD6 Guitar Pedal Receiver with Integrated Tuner | 4 | Selecting a Group | 14 |
| | | Selecting a Channel | 14 |
| IMPORTANT SAFETY INSTRUCTIONS | 4 | Manually Linking a Transmitter to a Receiver | 14 |
| WARNING | 5 | Linking Multiple Transmitters to a Receiver | 14 |
| Note: | 5 | 2.4 GHz Spectrum Overview | 15 |
| System Overview | 5 | Overcoming the Challenges of 2.4GHz | 15 |
| Accessories | 5 | Coexisting with Wi-Fi | 15 |
| Included Components | 6 | Challenging Wireless Environments | 15 |
| Quick Start | 6 | Tips and Methods to Improve Wireless System Performance | 16 |
| Guitar Pedal Receiver Overview | 6 | 2.4 GHz Frequency Tables | 16 |
| Display Screen, Indicators, and Controls | 7 | Receiver Operation | 17 |
| Receiver Mode | 7 | Audio Gain Adjustment | 17 |
| Tuner Mode | 8 | Locking and Unlocking the Controls | 18 |
| Bodypack Transmitter | 9 | Remote ID | 18 |
| Transmitter Status LED | 10 | Tuner Menu | 19 |
| Wearing the Bodypack Transmitter | 10 | Tuner Options | 19 |
| Batteries and Charging | 10 | Indicator: Needle or Strobe | 20 |
| Charging from an AC Power Source | 11 | Choosing Live or Mute Audio Output | 20 |
| Charging from a USB Port | 11 | Display Brightness | 21 |
| LED Status During Charging | 11 | Detune | 21 |
| Charging Times and Transmitter Runtimes | 11 | Sharps and Flats | 22 |
| Installing Transmitter Batteries | 12 | Reference Pitch | 22 |
| Important Tips for Care and Storage of Shure Rechargeable Batteries | 12 | Using the Tuner | 22 |
| Transmitter Battery Meter | 12 | Needle Mode | 22 |
| Multiple Receiver Systems | 13 | Strobe Mode | 23 |
| Setting Up Receivers and Transmitters | 13 | Using a Third-Party Power Supply | 24 |
| Manually Selecting a Group and Channel | 14 | Firmware | 25 |

| | | | |
|-----------------------------|-----------|--------------------------------|-----------|
| Connect to the Computer | 25 | Specifications | 28 |
| Troubleshooting | 25 | Pin Assignments | 30 |
| | | Output Connections | 32 |
| Resetting Components | 27 | Certifications | 32 |
| Resetting the Receiver | 27 | | |
| Resetting the Transmitter | 28 | Information to the user | 33 |
| | | Australia Warning for Wireless | 34 |

GLXD6

Guitar Pedal Receiver with Integrated Tuner

IMPORTANT SAFETY INSTRUCTIONS

1. READ these instructions.
2. KEEP these instructions.
3. HEED all warnings.
4. FOLLOW all instructions.
5. DO NOT use this apparatus near water.
6. CLEAN ONLY with dry cloth.
7. DO NOT block any ventilation openings. Allow sufficient distances for adequate ventilation and install in accordance with the manufacturer's instructions.
8. DO NOT install near any heat sources such as open flames, radiators, heat registers, stoves, or other apparatus (including amplifiers) that produce heat. Do not place any open flame sources on the product.
9. DO NOT defeat the safety purpose of the polarized or grounding type plug. A polarized plug has two blades with one wider than the other. A grounding type plug has two blades and a third grounding prong. The wider blade or the third prong are provided for your safety. If the provided plug does not fit into your outlet, consult an electrician for replacement of the obsolete outlet.
10. PROTECT the power cord from being walked on or pinched, particularly at plugs, convenience receptacles, and the point where they exit from the apparatus.
11. ONLY USE attachments/accessories specified by the manufacturer.
12. USE only with a cart, stand, tripod, bracket, or table specified by the manufacturer, or sold with the apparatus. When a cart is used, use caution when moving the cart/apparatus combination to avoid injury from tip-over.



13. UNPLUG this apparatus during lightning storms or when unused for long periods of time.
14. REFER all servicing to qualified service personnel. Servicing is required when the apparatus has been damaged in any way, such as power supply cord or plug is damaged, liquid has been spilled or objects have fallen into the apparatus, the apparatus has been exposed to rain or moisture, does not operate normally, or has been dropped.
15. DO NOT expose the apparatus to dripping and splashing. DO NOT put objects filled with liquids, such as vases, on the apparatus.
16. The MAINS plug or an appliance coupler shall remain readily operable.
17. The airborne noise of the Apparatus does not exceed 70dB (A).
18. Apparatus with CLASS I construction shall be connected to a MAINS socket outlet with a protective earthing connection.
19. To reduce the risk of fire or electric shock, do not expose this apparatus to rain or moisture.
20. Do not attempt to modify this product. Doing so could result in personal injury and/or product failure.
21. Operate this product within its specified operating temperature range.

WARNING: Battery packs shall not be exposed to excessive heat such as sunshine, fire, or the like.



- Battery packs may explode or release toxic materials. Risk of fire or burns. Do not open, crush, modify, disassemble, heat above 140°F (60°C), or incinerate
- Follow instructions from manufacturer
- Never put batteries in mouth. If swallowed, contact your physician or local poison control center
- Do not short circuit; may cause burns or catch fire
- Do not charge or use battery packs with other than specified Shure products
- Dispose of battery packs properly. Check with local vendor for proper disposal of used battery packs

WARNING: Danger of explosion if incorrect battery replaced. Operate only with AA batteries.

Note:

- This equipment is intended to be used in professional audio applications.
- EMC conformance is based on the use of supplied and recommended cable types. The use of other cable types may degrade EMC performance.
- Use this battery charger only with the Shure charging modules and battery packs for which it is designed. Use with other than the specified modules and battery packs may increase the risk of fire or explosion.
- Changes or modifications not expressly approved by Shure Incorporated could void your authority to operate this equipment.

Note: Use only with the included power supply or a Shure-approved equivalent.

System Overview

The new groundbreaking GLX-D Wireless Systems from Shure combine the leading edge of Automatic Frequency Management technology with best-in-class intelligent lithium ion battery rechargeability, world-renowned microphones and unparalleled design and construction. The compact low-profile design easily fits into pedalboard configurations. Built-in chromatic tuner simplifies setups while offering flexible tuning options. Advanced frequency hopping technology detects interference and automatically switches to a clear backup channel to prevent audio dropouts. Channel scanning finds the best receiver channel for wireless audio and automatically links to the transmitter.

- Exceptional digital audio clarity
- Built-in tuner with customizable functionality and display options
- Operates in 2.4 GHz spectrum, available worldwide.
- Compact rugged metal construction
- Receiver compatible with standard 9 V DC positive tip or negative tip power supplies (250 mA minimum)
- Rechargeable transmitter batteries deliver cost-efficiency and up to 11.5 hours of runtime
- Adjustable transmitter gain to optimize audio signal
- Automatically detects and avoids interference to preserve audio quality
- Globally-unlicensed 2.4 GHz frequency band allows operation of up to 4 compatible systems in a typical setting and up to 8 compatible systems under ideal conditions
- RF back-channel for remote control of transmitter functions
- Automatic transmitter power-off to conserve battery life when transmitter is not in use.

Accessories

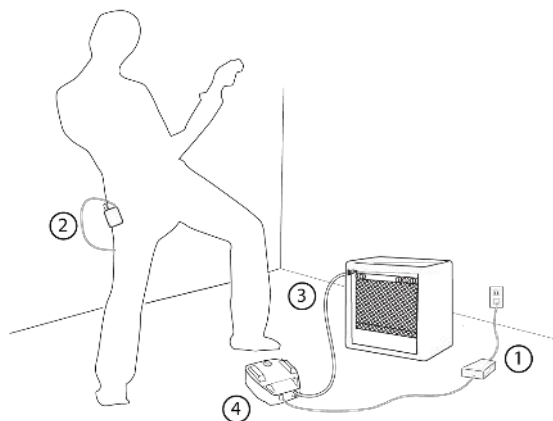
Included Components

| | |
|-----------------------------------|-----------|
| Shure Rechargeable Battery | SB902A |
| Micro USB Battery Charger | SBC10-USB |
| Power Supply | PS24 |
| Premium Guitar Cable | WA305 |

Quick Start

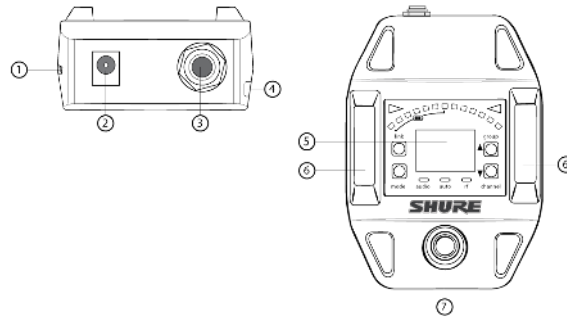
To reduce set up time, the transmitter and receiver automatically link to form an audio channel the first time they are powered on and never have to be linked again.

Note: If using multiple effects pedals, place the receiver pedal first in the signal chain.



| | |
|---------------|---|
| Step ① | Connect power supply to the receiver and plug the power cord into an AC power source. |
| Step ② | Connect the transmitter to the instrument and turn on the transmitter. |
| Step ③ | <p>Connect receiver audio output to an amplifier or mixer. Turn on the receiver: The blue rf LED will flash while the transmitter and receiver form a link. When the link has successfully formed, the rf LED will remain illuminated.</p> <p>Note: The transmitter and receiver will remain linked for future usage. At power-up, the blue rf LED will illuminate, skipping the linking step.</p> |
| Step ④ | Check the audio and adjust the gain if necessary. |

Guitar Pedal Receiver Overview

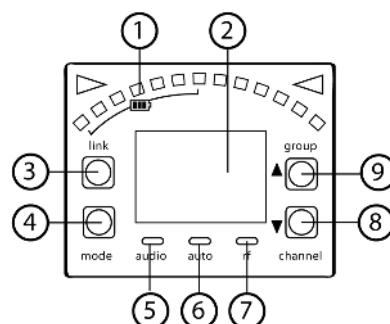


| | |
|-----------------------------|--|
| ① Power Switch | Turns power on or off. |
| ② DC Power Connector | Connect DC power supply (9 to 15 V DC, 250 mA min.) Note: Compatible with positive tip or negative tip power supplies. |
| ③ Audio Output Jack | Connect to amplifier or mixer. Note: If using multiple effects pedals, place the receiver pedal first in the signal chain. |
| ④ USB Port | For uploading firmware updates |
| ⑤ Display | Displays receiver and tuner settings. |
| ⑥ Antenna | Two antennas per receiver. Antennas pick up the signal from the transmitter. |
| ⑦ Footswitch | Press to select receiver or tuner mode. |

Display Screen, Indicators, and Controls

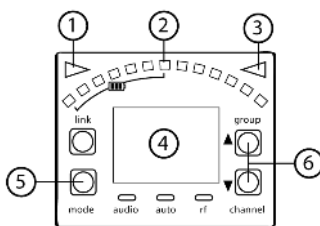
The controls and display offer specific functionality depending on which mode is selected:

Receiver Mode



| | |
|------------------------------------|---|
| ① Transmitter Battery Meter | Illuminated segments indicate remaining battery life |
| ② Display | Group Channel LK (controls locked) UN (controls unlocked) -- (frequency not available) |
| ③ Link Button | Press to manually link receiver to a transmitter or to activate the remote ID function |
| ④ Mode Button | Press to enable audio gain adjustment. Use ▲ ▼ buttons to adjust gain. |
| ⑤ Audio LED | Illumination corresponds to audio level. Rapid flashing indicates audio clipping. |
| ⑥ Mute LED | Illuminates when audio output is muted. |
| ⑦ RF LED | <ul style="list-style-type: none"> • ON = Linked transmitter is on • Flashing = Searching for transmitter • OFF = Linked transmitter off or transmitter unlinked |
| ⑧ Channel Button | Press to select and edit channel |
| ⑨ Group Button | Press to select and edit group |

Tuner Mode



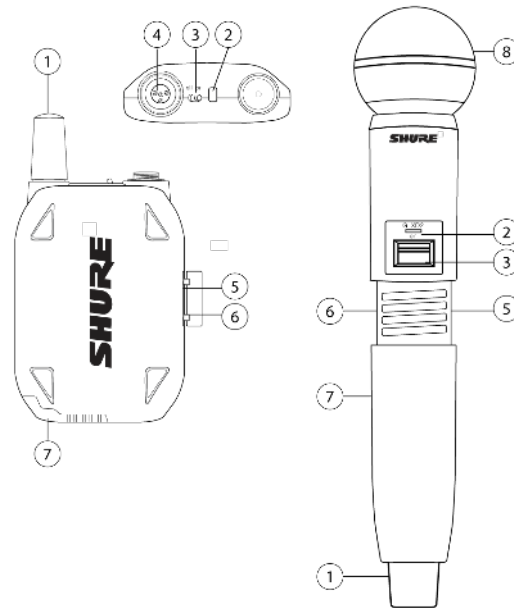
| | |
|-----------------------------|---|
| ① Flat Indicator | Illuminates when note is flat. |
| ② Tuning Bar Display | LEDs illuminate to indicate tuning deviation. |
| ③ Sharp Indicator | Illuminates when note is sharp. |
| ④ Note Display | Displays the name of the note or (--) if the tuner is idle. |
| ⑤ Mode Button | Press to enter tuner menu settings. |
| ⑥ Arrow Buttons | Use ▲ ▼ buttons to select and edit menu settings. |

⑦ Frequency Detuned/Reference Pitch Offset indicator

A dot is displayed when the tuning or pitch has be set to a non-standard value.

Note: Non-standard turning or pitch settings scroll across the receiver display during power-up.

Bodypack Transmitter



① Antenna

Carries wireless signal.

② Status LED

Indicates transmitter status.

③ Power Switch

Turns the transmitter on/off.

④ TA4M Input Jack

Connects to a 4-Pin mini connector (TA4F) microphone or instrument cable.

⑤ Micro USB Port

Connection for battery charging and firmware updates.

⑥ Link Button

- Press and hold within 5 seconds of power-on to manually link with receiver

- Press momentarily to activate Remote ID function to a linked receiver

⑦ Battery Compartment

Holds Shure rechargeable battery.

Transmitter Status LED

LED is green during normal operation.

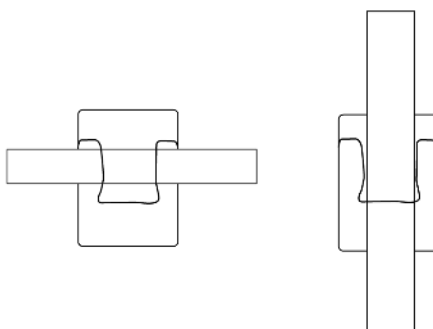
LED color or flashing indicates a change in transmitter status as shown in the following table:

| Color | State | Status |
|-----------|-----------------|---|
| Green | Flashing (slow) | transmitter attempting relink with receiver |
| | Flashing (fast) | unlinked transmitter searching for receiver |
| | Flashes 3 times | indicates locked transmitter when power switch is pressed |
| Red | On | battery life < 1 hour |
| | Flashing | battery life < 30 minutes |
| Red/Green | Flashing | remote ID active |
| Amber | Flashing | battery error, replace battery |

Wearing the Bodypack Transmitter

Clip the transmitter to a belt or slide a guitar strap through the transmitter clip as shown.

For best results, the belt should be pressed against the base of the clip.



Batteries and Charging

GLX-D transmitters are powered by Shure SB902A lithium-ion rechargeable batteries. Advanced battery chemistry maximizes runtimes with zero memory effects, eliminating the need to discharge batteries prior to charging.

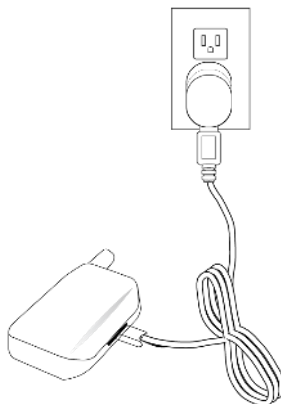
When not in use, recommended battery storage temperature is 10°C (50°F) to 25°C (77°F).

Note: The transmitter will not pass RF or audio signals when connected to the charging cable.

The following battery charging options are available:

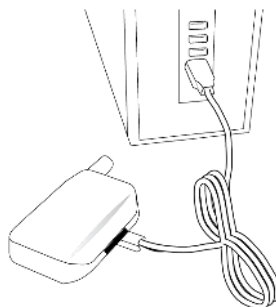
Charging from an AC Power Source

1. Plug the charging cable into the charging port on the transmitter.
2. Plug the charging cable into an AC power source.



Charging from a USB Port

1. Plug the USB charging cable into the charging port on the transmitter.
2. Plug the cable into a standard USB port.



LED Status During Charging

The following LED states indicate battery status when the transmitter is connected to a charger:

- Green = charging complete
- Green Flashing = battery charge > 90%
- Red = battery charging
- Amber Flashing = battery error, replace battery

Charging Times and Transmitter Runtimes

Use the following table to determine approximate battery runtime based on the duration of charging time. Times shown are in hours and minutes.

Note: Batteries charge faster when using an AC powered charger versus a USB connection.

| AC Power Source Charging | USB Connection Charging | Transmitter Runtime |
|--------------------------|-------------------------|---------------------|
| 0:15 | 0:30 | up to 1:30 |
| 0:30 | 1:00 | up to 3:00 |
| 1:00 | 2:00 | up to 6:00 |
| 3:00 | 4:00 | up to 11:30* |

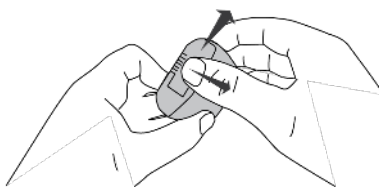
*Storage time or excessive heat will reduce maximum runtime.

Note: GLX-D transmitters automatically power-off after approximately 1 hour to conserve battery life if the signal from a linked receiver is not detected.

Installing Transmitter Batteries

Bodypack Transmitter

1. Move the locking lever to the open position and slide the battery door open.
2. Place the battery into the transmitter.
3. Close the battery door and slide door to engage the latch.



Important Tips for Care and Storage of Shure Rechargeable Batteries

Proper care and storage of Shure batteries results in reliable performance and ensures a long lifetime.

- Always store batteries and transmitters at room temperature
- Ideally, batteries should be charged to approximately 40% of capacity for long-term storage
- During storage, check batteries every 6 months and recharge to 40% of capacity as needed

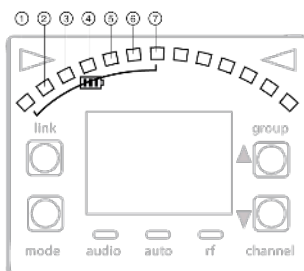
Important: Always fully charge a new battery before first use.

Transmitter Battery Meter

The number of segments illuminated on the meter indicates the remaining battery life for a linked transmitter:

- ① = > 30 min
- ② = > 2 hours
- ③ = > 4 hours
- ④ = > 6 hours
- ⑤ = > 8 hours
- ⑥ = > 10 hours
- ⑦ = > 11.5 hours

Note: The LEDs will cycle on/off while battery life is being calculated.



Multiple Receiver Systems

For ease of set up, frequencies are divided into groups to best match the channel requirements for your system.

Select the group by determining the total number of receivers in your system (channel count). All receivers in the system must be set to the same group.

| Group | Channel Count (Number of Receivers) | Number of Backup Frequencies | Notes |
|-------|-------------------------------------|------------------------------|---|
| 1 | Up to 4 | 3 | Initial factory setting. |
| 2 | Up to 5* | 3 | Best multi-channel group if you experience interference. |
| 3 | Up to 8* | 0 | For large multi-channel systems. Only use Group 3 in controlled Wi-Fi environments because there are no backup frequencies to avoid interference. |
| 4 | 1 | 27 | Best single-channel group if you experience interference. |

*Environmentally dependent, 4 systems typical

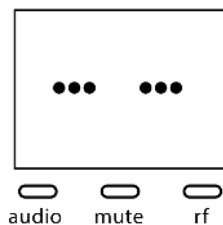
See "Tips to Improve Wireless System Performance" section for additional information.

Setting Up Receivers and Transmitters

Note: Before beginning, turn off all receivers and transmitters. Turn on and set up each receiver/transmitter pair individually to prevent cross-linking.

1. Turn on the first receiver.
2. Press and hold the group button to select a group (if necessary) or if the group is already set, press the channel button to scan for the best available channel.
3. Turn on the first transmitter. The blue rf LED will illuminate when a link is established.

Repeat steps 1-3 for each additional receiver and transmitter. Remember to set each receiver to the same group.



Note: Dashes appearing on the group and channel display during a channel scan indicate that frequencies are not available in the selected group. Choose a group that supports more receivers and repeat the set up steps.

Manually Selecting a Group and Channel

Specific groups and channels can be assigned to the receiver instead of using the automatic scan function.

Note: Group 3 should only be used in controlled Wi-Fi environments to prevent interference from unexpected Wi-Fi devices.

Selecting a Group

1. Press and hold the group button for 2 seconds until the group display flashes.
2. Press the group button to scroll through the available groups.
3. The receiver will automatically save the selected group.

Selecting a Channel

1. Press and hold the channel button for 2 seconds until the channel display flashes.
2. Press the channel button to scroll through the available channels.
3. The receiver will automatically save the selected channel.

Note: A double dash symbol-- displayed on the receiver screen during a channel scan indicates that there are no available channels within the selected group. Choose a group with more channels and repeat set up steps.

Manually Linking a Transmitter to a Receiver

Use the manual linking option to change the transmitter linked to a receiver. A common use for manual linking is changing the linked transmitter from a bodypack type to a handheld type.

1. Turn on the transmitter: Within 5 seconds, press and hold the LINK button until the transmitter LED begins to flash green.
2. Press and hold the link button on the receiver: The blue rf LED will flash, and then remain on when the link has been established.
3. Test the audio to verify the link and adjust the gain if necessary.

Linking Multiple Transmitters to a Receiver

Link multiple transmitters to the same receiver to allow for instrument changes during a performance. Only one transmitter can be active at a time, otherwise the signals will interfere with each other.

After linking the transmitters, gain settings can be set and stored independently for each transmitter.

Important! Do not turn on and operate both linked transmitters at any time.

Turn off both transmitters before beginning.

1. Press the group button to select a group. The receiver automatically scans the selected group to find the best available channel.
2. Turn on transmitter 1 and link it to the receiver. Adjust the gain, and then turn off the transmitter.
3. Turn on transmitter 2 and link it to the receiver. Adjust the gain, and then turn off the transmitter.

2.4 GHz Spectrum Overview

GLX-D operates within the 2.4GHz ISM band which is utilized by Wi-Fi, Bluetooth, and other wireless devices. The benefit of 2.4GHz is that it's a global band that can be used anywhere in the world, license free.

Overcoming the Challenges of 2.4GHz

The challenge of 2.4GHz is that Wi-Fi traffic can be unpredictable. GLX-D meets these challenges in the following ways:

- Prioritizes and transmits on the best 3 frequencies per channel (choosing from a pool of 6 frequencies across the 2.4GHz band)
- Repeats the most important information such that one frequency can be taken out entirely without audio interruption
- Continuously scans during usage to rank all frequencies (both current and backup frequencies)
- Seamlessly moves away from interference to backup frequencies without audio interruption

Coexisting with Wi-Fi

If you plan to use Wi-Fi during a performance, turn on Wi-Fi devices prior to turning on GLX-D and scanning for the best channel. GLX-D detects and avoids other Wi-Fi traffic by scanning the entire 2.4GHz environment and selecting the 3 best frequencies to transmit on. The result of this is reliable performance for your GLX-D wireless system as well as avoiding Wi-Fi transmissions which may be important as well.

"Bursting" Wi-Fi is harder to detect as it is periodic; however, because GLX-D repeats the most important information, even bursts at very high-levels don't have an effect on your audio performance.

Challenging Wireless Environments

Some environments are more difficult than others for 2.4 GHz wireless system performance. Additionally, body absorption has a greater impact in the 2.4 GHz spectrum, compared to the UHF spectrum. The simplest solution in many cases is to reduce the transmitter to receiver distance such as placing the receivers on the stage with a clear line of sight.

Challenging environments include:

- Areas with few reflective surfaces such as:
 - Outdoors
 - Buildings with very high ceilings
- 3 or more GLX-D receivers in use
- Strong Wi-Fi presence
- Competitive 2.4 GHz systems in use

Note: Unlike analog TV band wireless which typically uses the same type of transmissions across manufacturers, all 2.4GHz wireless currently on the market use different variations of wireless transmission. These differences make it more difficult to mix and match 2.4 GHz from multiple manufacturers successfully, as can be done with TV band wireless solutions.

Tips and Methods to Improve Wireless System Performance

If you encounter interference or dropouts, try the following suggestions:

- Scan for the best available channel (press the channel button)
- Reduce transmitter to receiver distance - for example, place receivers on stage with a line of sight to the receiver.
- Change the group for all GLX-D systems:
 - Single-Chanel System: use Group 4, which is optimized for single-channel use
 - Multi-Channel System: use Group 2, which is the most robust wireless group
- Keep transmitters more than 2 meters (6 feet) apart

Note: GLX-D transmitters closer than 6 inches (15 cm) to other non-GLX-D transmitters may cause audible noise in that transmitter

- Move receiver further away from Wi-Fi access points, computers, or other active 2.4 GHz sources.
- Disable non-critical Wi-Fi on computers, cell phones, and other portable devices
 - If you plan to use Wi-Fi during a performance, turn on Wi-Fi prior to turning on GLX-D and scanning for the best channel.
- Avoid heavy Wi-Fi traffic activities such as downloading large files or viewing a movie.
- Avoid placing transmitter and receiver where metal or other dense materials may be present
- During sound check, mark trouble spots and ask presenters or performers to avoid those areas
- If there is a known strong source of Wi-Fi and you specifically want to use frequencies within that Wi-Fi channel, use the following Group/Channel of GLX-D (best option listed first):
 - **Wi-Fi 1:** Group 3/Channel 8, Group 3/Channel 4
 - **Wi-Fi 6:** Group 3/Channel 7, Group 3/Channel 5
 - **Wi-Fi 11:** Group 3/Channel 2, Group 3/Channel 1

2.4 GHz Frequency Tables

The following tables list receiver channels, frequencies, and latency for each group:

Group 1: Channels 1-4 (latency = 4.0 ms)

| Group/Channel | Frequencies |
|---------------|-------------------------------|
| 1/1 | 2424 2425 2442 2443 2462 2464 |
| 1/2 | 2418 2419 2448 2450 2469 2471 |
| 1/3 | 2411 2413 2430 2431 2476 2477 |
| 1/4 | 2405 2406 2436 2437 2455 2457 |

Group 2: Channels 1-5 (latency = 7.3 ms)

| Group/Channel | Frequencies |
|---------------|-------------------------------|
| 2/1 | 2423 2424 2443 2444 2473 2474 |
| 2/2 | 2404 2405 2426 2427 2456 2457 |

| Group/Channel | Frequencies |
|---------------|-------------------------------|
| 2/3 | 2410 2411 2431 2432 2448 2449 |
| 2/4 | 2417 2418 2451 2452 2468 2469 |
| 2/5 | 2437 2438 2462 2463 2477 2478 |

Group 3: Channels 1-8 (latency = 7.3 ms)

| Group/Channel | Frequencies |
|---------------|----------------|
| 3/1 | 2415 2416 2443 |
| 3/2 | 2422 2423 2439 |
| 3/3 | 2426 2427 2457 |
| 3/4 | 2447 2448 2468 |
| 3/5 | 2409 2451 2452 |
| 3/6 | 2431 2462 2463 |
| 3/7 | 2404 2473 2474 |
| 3/8 | 2435 2477 2478 |

Group 4: Channel 1 (latency = 7.3 ms)

| Group/Channel | Frequencies |
|---------------|---|
| 4/1 | 2404 2405 2410 2411 2417 2418 2423 2424 2426 2427 2431 2432 2437 2438 2443 2444 2448 2449 2451 2452 2456 2457 2462 2463 2468 2469 2473 2474 2477 2478 |

Receiver Operation

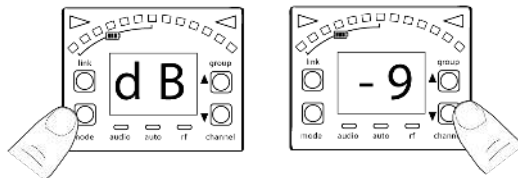
Audio Gain Adjustment

Transmitter gain has an adjustment range from -20 dB to +40 dB, in 1 dB increments.

Tip: Try the 0 dB (unity gain) setting as a starting point, and then make gain adjustments if necessary.

1. Press and hold the mode button on the receiver until dB appears on the display.
2. Press the up/down arrows to adjust the gain. For faster adjustments, press and hold the buttons.

Note: The intensity of the green audio LED corresponds to the audio level. Rapid flashing indicates audio clipping. Reduce the gain to remove the overload.



Locking and Unlocking the Controls

The controls of the receiver and transmitter can be locked to prevent accidental or unauthorized changes to settings.

The following parameters are not affected by locking the controls:

- Lock status is not changed by power cycles
- Tuner functionality and editing remains available
- The receiver power switch does not lock

Locking the Receiver Controls

Simultaneously press and hold the group and channel buttons to lock or unlock the receiver.

- LK is displayed if a locked control is pressed
- UN is displayed momentarily to confirm the unlock command

Locking the Transmitter Power Switch

Starting with the transmitter set to off, press and hold the LINK button while turning on the transmitter. Repeat sequence to unlock.

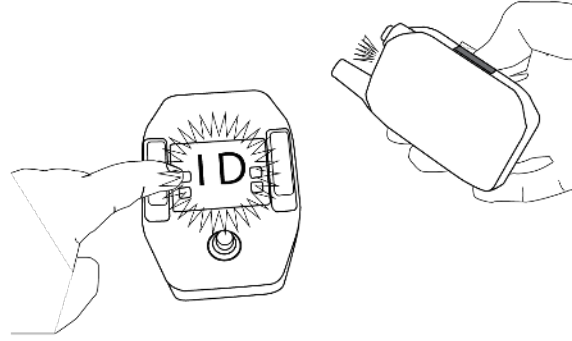
Note: The transmitter status LED will flash red/green if a locked switch is set to the off position.

Remote ID

Use the Remote ID feature to identify linked transmitter and receiver pairs. When Remote ID is active, the receiver LCD will blink and display ID. The status LED of the corresponding transmitter will alternately flash red and green for approximately 45 seconds.

To activate Remote ID:

1. Momentarily press the link button on the transmitter or receiver.
2. The display of the linked receiver will blink and show ID and the status LED on the linked transmitter will flash red/green.
3. To exit Remote ID mode, momentarily press the link button or allow the function to timeout.



Tuner Menu

Enter tuner mode by pressing the footswitch.

In tuner mode, the controls will only affect tuner functions, RF and audio settings are not affected.

Note: The audio signal does not pass through the tuner, eliminating the need for bypass switches commonly found on wired tuners.

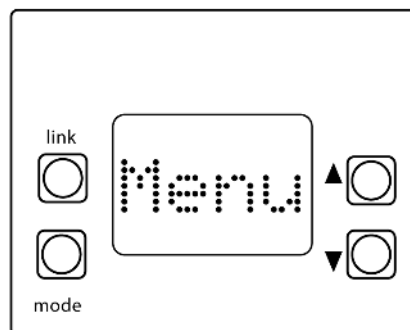
Tuner Options

- Indicator: Needle or Strobe
- Output: Live, Mute, or Both
- Display Brightness
- Detune
- Sharps and Flats
- Reference Pitch

Selecting and Editing Tuner Menu Settings

Use the following buttons to select and edit the tuner menu settings:

- Use the mode button access the menu and to scroll between menu settings
- Use the Use ▲ ▼ buttons to change a menu parameter
- Use the footswitch to enter and save parameter changes

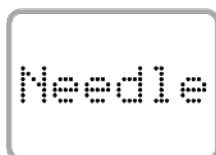


Indicator: Needle or Strobe

The tuner indicator can be set to display a needle style or strobe style.

Needle

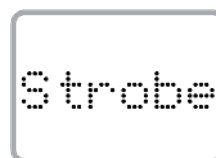
A single LED will illuminate on the tuning bar to indicate sharp or flat. The green center LED will illuminate when the note is in tune.



Strobe

A sequence of three LEDs will travel across the tuning bar in the direction of sharp or flat. The LEDs will remain stationary when the note is in tune.

Note: Indicator and Output settings are displayed in a scroll from left to right.



Choosing Live or Mute Audio Output

The following modes are available to set the audio output to Live or Mute when the footswitch is pressed in tuner mode.

Note: Text for the output settings are displayed in a scroll from left to right.

| Mode | Footswitch Function |
|------|--|
| Live | Receiver Display (audio Live) ↔ Tuner Display (audio Live) |
| Mute | Receiver Display (audio Live) ↔ Tuner Display (audio Mute) |
| Both | Tuner Display (audio Mute) ↔ Tuner Display (audio Live)* |

***Note:** In Both mode, the pedal powers up in Receiver Display. Press the footswitch to enter tuner mode.





Display Brightness

The receiver has a built-in light sensor to automatically adjust the display brightness.

To manually adjust the brightness choose one of the following settings:



*A = automatic



*1 = low



*2 = medium



*3 = high

Detune

The tuner can be set to display standard tuning for instruments that have been detuned up sharp or flat in the following increments:

- Up to 5 steps sharp (#1-#2 -#3-#4-#5)
- Up to 6 steps flat (b6-b5-b4-b3-b2-b1)

The notation for standard tuning is b0



b0
= Standard Tuning



Example of note displayed in Detune mode

* dot appears on the display as a reminder that the pedal is detuned.

Sharps and Flats

Adds sharp or flat symbols to the display of non-natural notes.



Sharps and Flats



Flats only



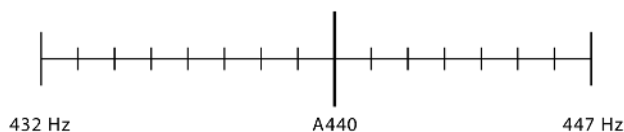
Sharps only

Reference Pitch

The reference pitch can be offset from standard A440 in a range of 432 Hz to 447 Hz in 1 Hz increments.

When adjusting the pitch, the last 2 digits of the value will be displayed. For example, "32" would appear on the display when the pitch has been set to 432 Hz.

A dot appears on the display as a reminder that the reference pitch has been offset.

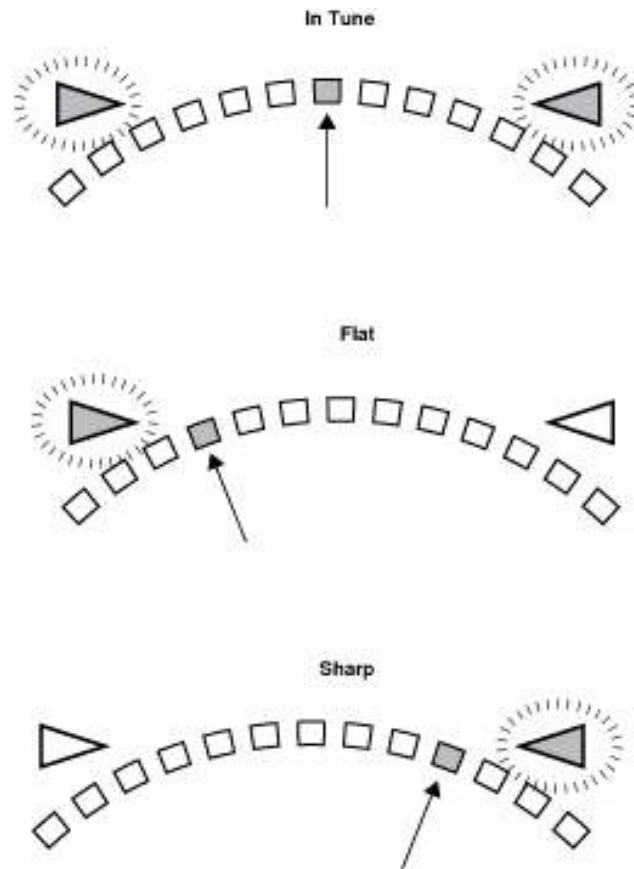


Using the Tuner

1. Press the footswitch to enter tuner mode.
2. Play each note individually. The display shows the name of the note.
3. Adjust tuning until both indicators illuminate and the needle or strobe indicate that tuning is correct.

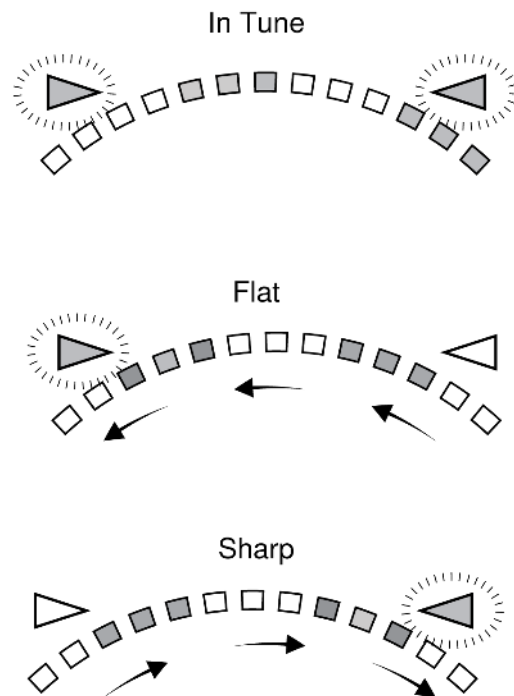
Needle Mode

Both tuning indicators and the center green segment will illuminate when the note is in tune.



Strobe Mode

Both tuning indicators will illuminate and the strobe segments will remain stationary when the note is in tune.



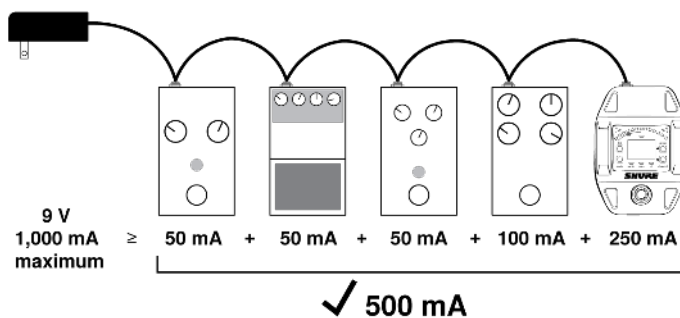
Using a Third-Party Power Supply

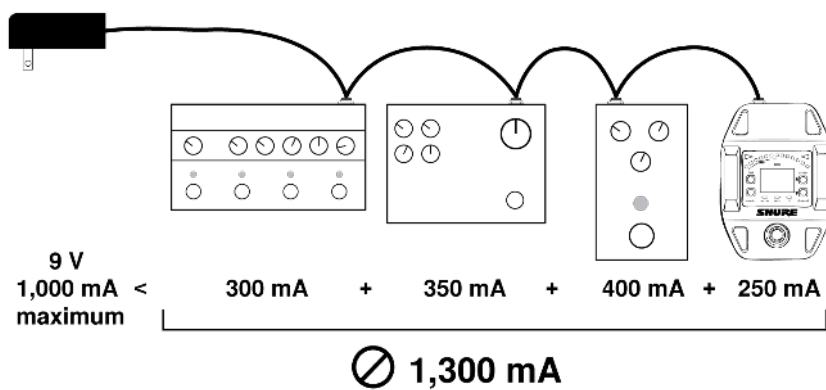
To power your GLXD6 wireless receiver pedal, we recommend using the included power supply or a power supply with isolated power outputs.

If using a power supply with isolated power outputs, use a power outlet rated at a minimum of 250 mA.

However, if using other third-party power supplies:

- Check the power consumption for each pedal in a daisy-chain setup. You must know the total power consumption for all of your pedals to avoid overloading the power supply.
- If no power requirement is listed on the pedal, consult the pedal manufacturer.





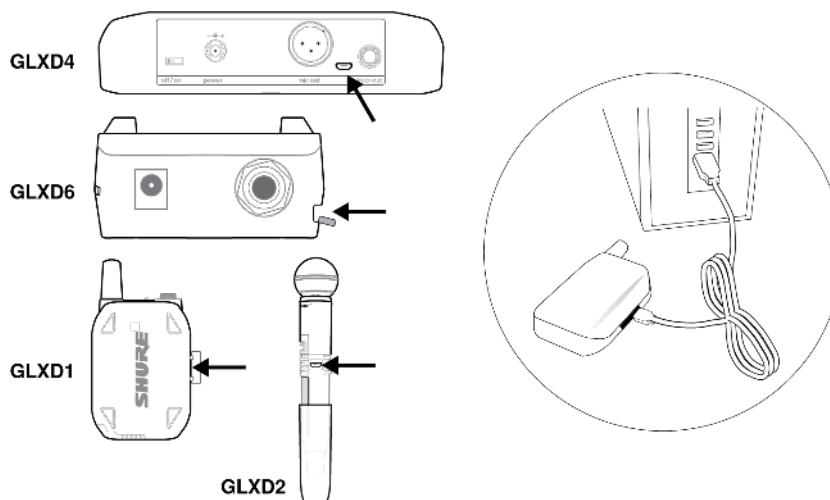
Firmware

Firmware is embedded software in each component that controls functionality. Periodically, new versions of firmware are developed to incorporate additional features and enhancements. To take advantage of design improvements, new versions of the firmware can be downloaded and installed using the Shure Update Utility tool.

Software is available for download from <http://www.shure.com/update-utility>.

Connect to the Computer

Connect the device to your computer using the USB to Micro USB cable supplied with your GLX-D system.



Troubleshooting

| Issue | Indicator Status | Solution |
|---|--|--|
| No sound or faint sound | Receiver RF LED on | Verify all sound system connections or adjust gain as needed (see Adjusting Gain). Verify that the receiver is connected to mixer/amplifier. |
| | Receiver RF LED off | Turn on transmitter. Make sure the batteries are installed correctly. Link transmitter and receiver (see Linking topic). Charge or change transmitter battery. |
| | Receiver LCD screen off | Make sure AC adapter is securely plugged into electrical outlet. Make sure receiver is powered on. |
| | Transmitter indicator LED flashing red | Charge or change transmitter battery. |
| | Transmitter plugged into charger. | Disconnect transmitter from charger. |
| Audio artifacts or dropouts | rf LED flickering or off | Change receiver and transmitter to a different group and/or channel. Identify nearby sources of interference (cell phones, Wi-Fi access points, signal processor, etc...) and shutdown or remove source. Charge or change transmitter battery. Ensure that receiver and transmitter are positioned within system parameters. System must be set up within recommended range and receiver kept away from metallic surfaces. Transmitter must be used in line of sight from receiver for optimal sound. |
| Distortion | OL indicator appears on receiver LCD | Reduce transmitter gain (see Gain Adjustment). |
| Transmitter and receiver link unsuccessful | Transmitter and receiver LEDs flash to indicate that linking started, but the link fails | Update both components to firmware version 2.0 or greater. Download the Shure Update Utility application and follow the instructions. |

| Issue | Indicator Status | | Solution |
|---|---|-----------------|---|
| Sound level variations when switching to different sources | N/A | | Adjust transmitter gain as necessary (see Gain Adjustment). |
| Receiver/transmitter won't turn off | Transmitter LED flashing rapidly | | Controls locked. See Locking and Unlocking Controls. |
| Receiver gain control cannot be adjusted | N/A | | Check transmitter. Transmitter must be on to enable gain changes. |
| Receiver controls cannot be adjusted | LK shown on receiver display when buttons are pressed | | Controls locked. See Locking and Unlocking Controls. |
| Transmitter ID function does not respond | Transmitter LED flashes green 3 times | | Controls locked. See Locking and Unlocking Controls. |
| Transmitter information does not appear on the Receiver LCD | N/A | | Linked transmitter is off or the receiver is not linked to a transmitter. |
| Transmitter powers off after 1 hour | Transmitter status LED off | | GLX-D transmitters automatically power-off after 1 hour to conserve battery life if the signal from a linked receiver is not detected. Make sure that linked receiver is turned on. |
| Model | A | B | C |
| SM58 | 51 mm, 2.0 in. | 252 mm, 9.9 in. | 37 mm, 1.5 in. |
| BETA 58 | 51 mm, 2.0 in. | 252 mm, 9.9 in. | 37 mm, 1.5 in. |
| SM86 | 49 mm, 1.9 in. | 252 mm, 9.9 in. | 37 mm, 1.5 in. |
| BETA 87A | 51 mm, 2.0 in. | 252 mm, 9.9 in. | 37 mm, 1.5 in. |

Resetting Components

Use the reset function if it is necessary to restore the transmitter or receiver to their factory settings.

Resetting the Receiver

Restores the receiver to the following factory settings:

- Gain level = default
- Controls = unlocked

Press and hold the link button while turning on the receiver power until the LCD displays RE.

Note: When reset is complete, the receiver will automatically initiate linking to search for a transmitter. Press and hold the transmitter link button within five seconds of powering-on to complete the link.

Resetting the Transmitter

Restores the transmitter to the following factory settings:

- Controls = unlocked

Press and hold the transmitter link button while turning on the transmitter until power LED goes off.

When the link button is released, the transmitter will automatically initiate linking to find an available receiver. Press the link button on an available receiver to relink.

Specifications

Tuning Bandwidth

2400–2483.5 MHz

Working Range

| | |
|----------------|---|
| Indoor | Up to 30 m (100 ft) typical , Up to 60 m (200 ft) maximum |
| Outdoor | Up to 20 m (65 ft) typical , Up to 50 m (165 ft) maximum |

Transmit Mode

Shure proprietary digital

Audio Frequency Response

20 Hz

– 20 kHz

Dynamic Range

120 dB, A-weighted

RF Sensitivity

-88 dBm, typical

Total Harmonic Distortion

0.2%, typical

RF Output Power

10

mW E.I.R.P. max

Operating Temperature Range

-18°C (0°F) to 57°C (135°F)

Storage Temperature Range

-29°C (-20°F) to 74°C (165°F)

Polarity

Positive voltage applied to the tip of the guitar cable phone plug produces positive voltage at the tip of the high impedance ¼-inch output.

Battery Life

Up to 11.5 hours

Guitar Tuner

| | |
|------------------------|-----------|
| Tuning Accuracy | ±1cent |
| Tuning Range | F#0 to C8 |

Channel Count

4

typical ,

Up to 8

maximum

GLXD1**Dimensions**

90 x 65 x 23 mm(3.56 x 2.54 x 0.90in.), H x W x D (without antenna)

Weight

132 g (4.7 oz.) without batteries

Power Requirements

3.7 V Rechargeable Li-Ion

Housing

Cast Metal, Black Powdercoat

Input Impedance

900 kΩ

RF Output Power

10

mW E.I.R.P. max

Transmitter Input

Connector

4-Pin male mini connector (TA4M)

Configuration

Unbalanced

Maximum Input Level

1 kHz at 1% THD

+8.4 dBV (7.5 Vp-p)

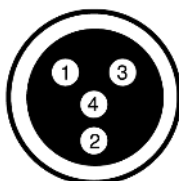
Antenna Type

Internal Monopole

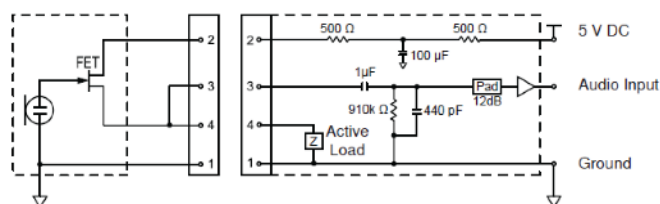
Pin Assignments

TA4M

| | |
|---|--|
| 1 | ground (cable shield) |
| 2 | + 5 V Bias |
| 3 | audio |
| 4 | Tied through active load to ground (On instrument adapter cable, pin 4 floats) |



TA4M Connector



GLXD6

Dimensions

46 x 95 x 133 mm (1.8 x 3.7 x 5.2 in.), H x W x D

Weight

504 g

(17.8 oz.)

Housing

Cast Metal, Black Powdercoat

Power Requirements

9 to 15 V DC, 250 mA min.

Spurious Rejection

>35 dB, typical

Gain Adjustment Range

-20 to 40 dB

in 1 dB steps

Audio Output

Configuration

| | |
|------------------------------|--------------------|
| 6.35 mm (1/4") output | Impedance balanced |
|------------------------------|--------------------|

Impedance

| | |
|------------------------------|---|
| 6.35 mm (1/4") output | 100 Ω (50 Ω , Unbalanced) |
|------------------------------|---|

Maximum Audio Output Level

| | |
|--|----------|
| 6.35 mm (1/4") connector (into 3 kΩ load) | +8.5 dBV |
|--|----------|

Pin Assignments

| | |
|---------------------------------|---|
| 6.35 mm (1/4") connector | Tip=audio, Ring=no audio, Sleeve=ground |
|---------------------------------|---|

Receiver Antenna Input

Impedance

50 Ω

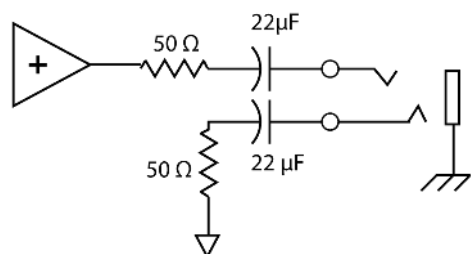
Antenna Type

PIFA antennas

Maximum Input Level

-20 dBm

Output Connections



Certifications

This device complies with part 15 of the FCC Rules. Operation is subject to the following two conditions: (1) This device may not cause harmful interference, and (2) this device must accept any interference received, including interference that may cause undesired operation.

This wireless system operates in the globally available ISM band 2400 MHz to 2483.5 MHz. The operation does not require a user license.

Meets essential requirements of the following European Directives:

- WEEE Directive 2012/19/EU, as amended by 2008/34/EC
- RoHS Directive EU 2015/863

Note: Please follow your regional recycling scheme for batteries and electronic waste

This product meets the Essential Requirements of all relevant European directives and is eligible for CE marking.

Hereby, Shure Incorporated declares that the radio equipment is in compliance with Directive 2014/53/EU. The full text of the EU declaration of conformity is available at the following internet address: <http://www.shure.com/europe/compliance>

Authorized European representative:

Shure Europe GmbH

Headquarters Europe, Middle East & Africa

Department: EMEA Approval

Jakob-Dieffenbacher-Str. 12

75031 Eppingen, Germany

Phone: +49-7262-92 49 0

Fax: +49-7262-92 49 11 4

Email: EMEAsupport@shure.de

Certified by ISED in Canada under RSS-210 and RSS-GEN.

IC: 616A-GLXD1, 616A-GLXD6

Certified under FCC Part 15.

FCC ID: DD4GLXD1, DD4GLXD6

Industry Canada ICES-003 Compliance Label: CAN ICES-3 (B)/NMB-3(B)

This device contains licence-exempt transmitter(s)/receiver(s) that comply with Innovation, Science and Economic Development Canada's licence-exempt RSS(s). Operation is subject to the following two conditions:

1. This device may not cause interference.
2. This device must accept any interference, including interference that may cause undesired operation of the device.

L'émetteur/récepteur exempt de licence contenu dans le présent appareil est conforme aux CNR d'Innovation, Sciences et Développement économique Canada applicables aux appareils radio exempts de licence. L'exploitation est autorisée aux deux conditions suivantes :

1. L'appareil ne doit pas produire de brouillage;
2. L'appareil doit accepter tout brouillage radioélectrique subi, même si le brouillage est susceptible d'en compromettre le fonctionnement.

運用に際しての注意

この機器の使用周波数帯では、電子レンジ等の産業・科学・医療用機器のほか工場の製造ライン等で使用されている移動体識別用の構内無線局（免許を要する無線局）及び特定小電力無線局（免許を要しない無線局）並びにアマチュア無線局（免許を要する無線局）が運用されています。

1. この機器を使用する前に、近くで移動体識別用の構内無線局及び特定小電力無線局並びにアマチュア無線局が運用されていないことを確認して下さい。
2. 万一、この機器から移動体識別用の構内無線局に対して有害な電波干渉の事例が発生した場合には、速やかに使用周波数を変更するか又は電波の発射を停止した上、下記連絡先にご連絡頂き、混信回避のための処置等（例えば、パーティションの設置など）についてご相談して下さい。
3. その他、この機器から移動体識別用の特定小電力無線局あるいはアマチュア無線局に対して有害な電波干渉の事例が発生した場合など何かお困りのことが起きたときは、保証書に記載の販売代理店または購入店へお問い合わせください。代理店および販売店情報は Shure 日本語ウェブサイト <http://www.shure.co.jp> でもご覧いただけます。

現品表示記号について

2.4 XX 8

現品表示記号は、以下のことを表しています。この無線機器は 2.4GHz 帯の電波を使用し、変調方式は「その他」の方式、想定干渉距離は 80m です。2,400MHz～2,483.5MHz の全帯域を使用し、移動体識別装置の帯域を回避することはできません。

Information to the user

This device complies with part 15 of the FCC Rules. Operation is subject to the following two conditions:

1. This device may not cause harmful interference.
2. This device must accept any interference received, including interference that may cause undesired operation.

Note: This equipment has been tested and found to comply with the limits for a Class B digital device, pursuant to part 15 of the FCC Rules. These limits are designed to provide reasonable protection against harmful interference in a residential installation. This equipment generates uses and can radiate radio frequency energy and, if not installed and used in accordance with the instructions, may cause harmful interference to radio communications. However, there is no guarantee that interference will not occur in a particular installation. If this equipment does cause harmful interference to radio or television reception, which can be determined by turning the equipment off and on, the user is encouraged to try to correct the interference by one or more of the following measures:

- Reorient or relocate the receiving antenna.
- Increase the separation between the equipment and the receiver.
- Connect the equipment to an outlet on a circuit different from that to which the receiver is connected.
- Consult the dealer or an experienced radio/TV technician for help.

Australia Warning for Wireless

This device operates under an ACMA class licence and must comply with all the conditions of that licence including operating frequencies. Before 31 December 2014, this device will comply if it is operated in the 520-820 MHz frequency band.

WARNING: After 31 December 2014, in order to comply, this device must not be operated in the 694-820 MHz band.