

# FAIR AVENUE 2-LIGHT OUTDOOR POST LANTERN

SKU: 953130



## FEATURES

Installation Type: Post Mount  
Design: Traditional  
Material: Cast Aluminum  
Width: 8"  
Height: 19-1/8"  
Mounting Hardware Included: Yes  
Reversible Mounting: No  
Shade Finish: Clear  
Number of Bulbs: 2  
Location Type: Suitable for Wet Locations  
Bulbs Included: No  
Bulb Type: Candelabra E-12  
Wattage per Bulb: 60

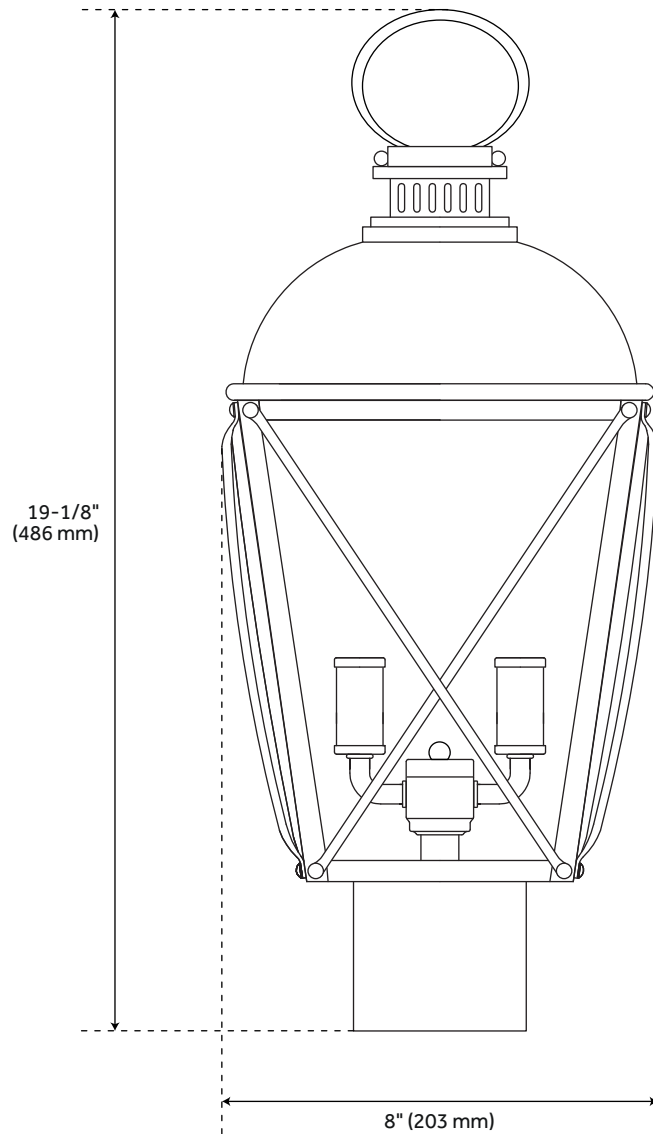
## CODES/STANDARDS

UL 1598 / CSA C22.2 No 250.0

Code:  
REVISED 12/28/2021

# FAIR AVENUE 2-LIGHT OUTDOOR POST LANTERN

SKU: 953130



All dimensions and specifications are nominal and may vary. Use actual products for accuracy in critical situations.

Code: PHEL6305