

Dear Valued Customer

(JUST WANTED YOU TO KNOW)

**WE REALLY
APPRECIATE
YOUR PURCHASE**

~thank you~

Features

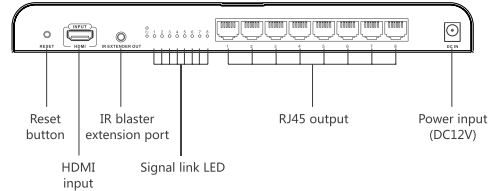
- Extend HDMI signal up to 393ft over CAT6 Ethernet cable
- Support resolution up to 1080p@60Hz
- Support HDMI 1.3 & HDCP 1.2
- Support IR pass back (frequency 20-60KHz)
- Support one transmitter to many receivers
- Support connect with LAN switch to cascade and extend receivers

Package contents

- Transmitter unit x1
- Receiver unit x8
- Power adapter DC 12V/3A x1 , DC 5V/1A x8
- IR blaster extension cable x1
- IR receiver extension cable x8
- Quick Start Guide

Layout

• Transmitter



• Receiver

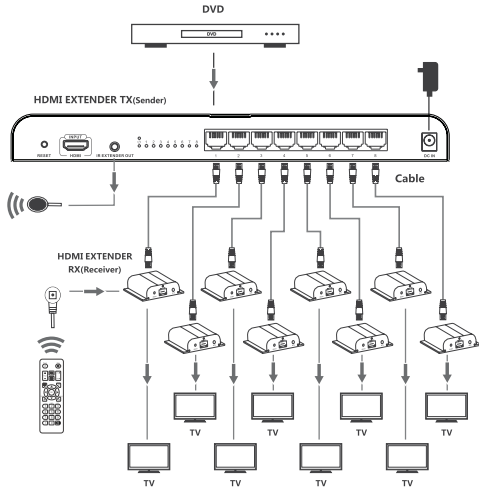


- ① Reset
- ② HDMI signal output
- ③ IR signal input to connect with IR receiver extension cable
- ④ Power input (DC5V)

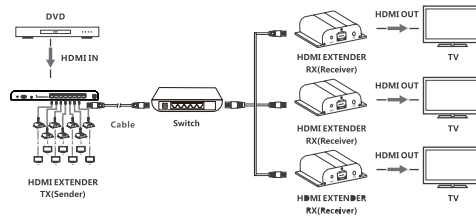
- ⑤ Power Light
- ⑥ HDbitT signal input
- ⑦ Data transmission light
- ⑧ Network link light

Application

- Standard



- Cascaded with LAN Switch can use more than 8 ports



1x8 HDMI Splitter HDbitT over IP Extender - 120m

Quick Start Guide



Support

For more info or tech support
<http://www.siig.com/support>

