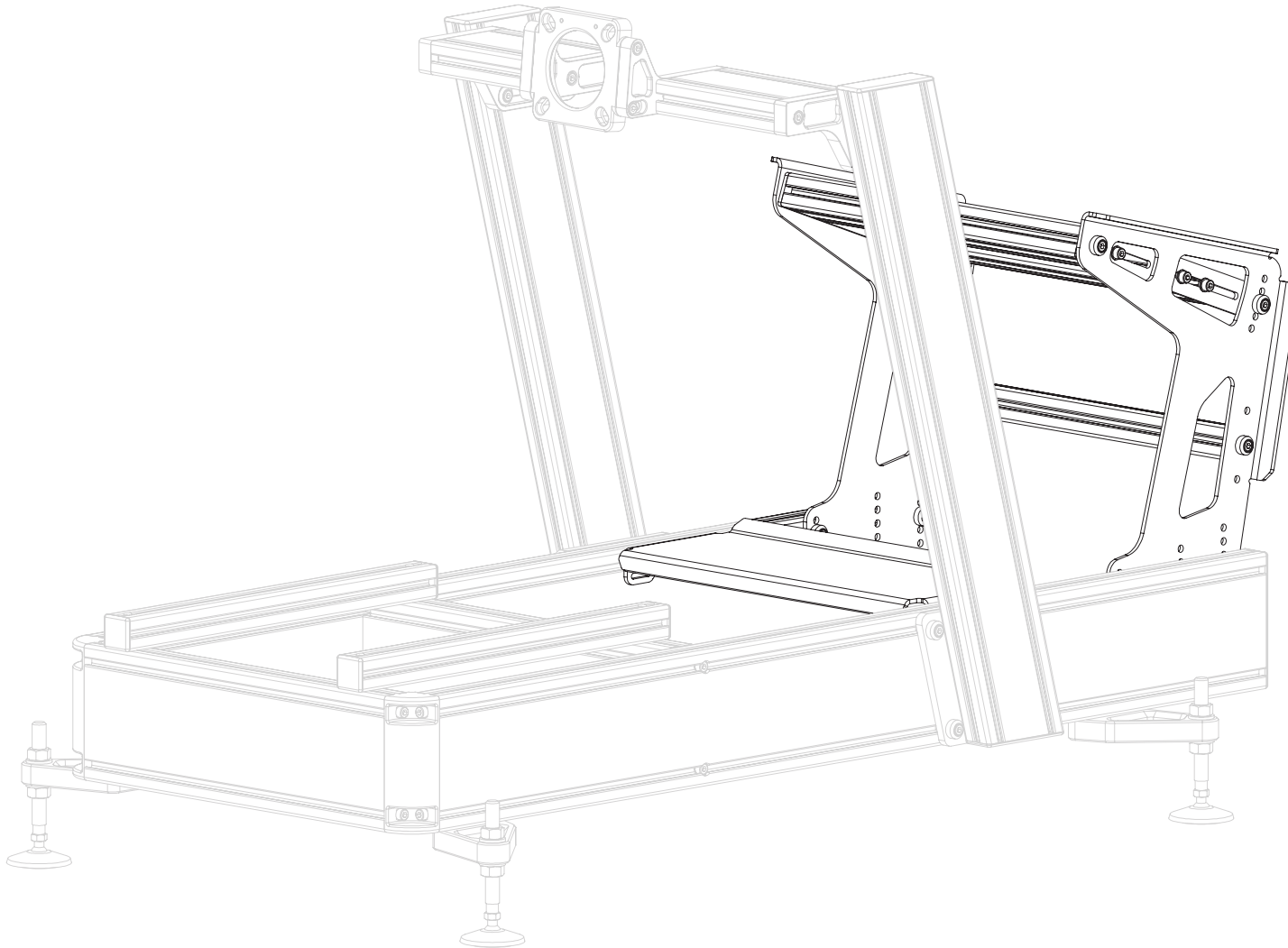


# **SIM LAB**

## INSTRUCTION MANUAL



## **INVERTED PEDAL RACK V2**

**VERSION 1.01**

Last updated: 07-04-2026

## BEFORE YOU START:

Thank you for purchasing this Sim-Lab product! On the following pages, you will find detailed instructions on assembly. This requires only a set of simple tools and some of your time. Please check the bill of materials before starting (page 14) and make sure all the parts are delivered.

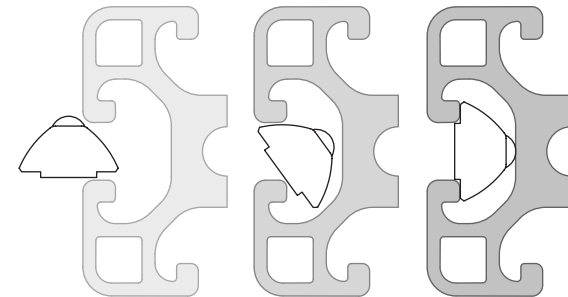
It has been a while, but we decided to bring back our Inverted Pedal Rack! We figured it could use a modern overhaul and some optimisations. We tried to limit parts where possible while not sacrificing rigidity and configuration options.

The Inverted Pedal Rack V2 is compatible with all of our known cockpits such as GT1 EVO, GT1 PRO, P1X Pro, though where this one really shines is on the P1X ULTIMATE. There are a lot of options to set this accessory up to all you need it to be!

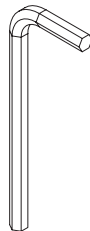
A word of caution when installing. You will see, we made it plenty strong. Especially after having mounted the pedals in place while still on the floor, it's rather heavy. We recommend installation onto the cockpit to be a 2 person job.

### Inserting Slot-Nuts:

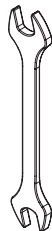
You got excited, finished the build, put the caps on, but forgot to install one element. Do not worry. It happens to everyone. In this diagram, you can see how to insert a Slot-Nut directly into the slot from the side. You can also use one of your smaller Hex wrenches to help wiggle the Slot-Nut in place.



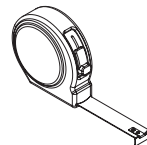
### Tools needed:



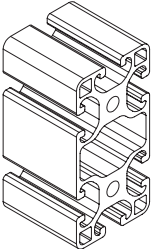
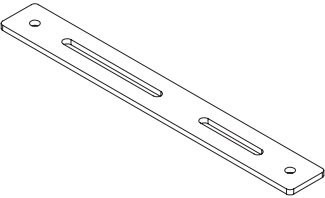
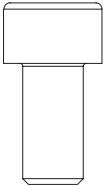
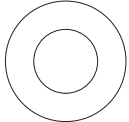
5/6MM

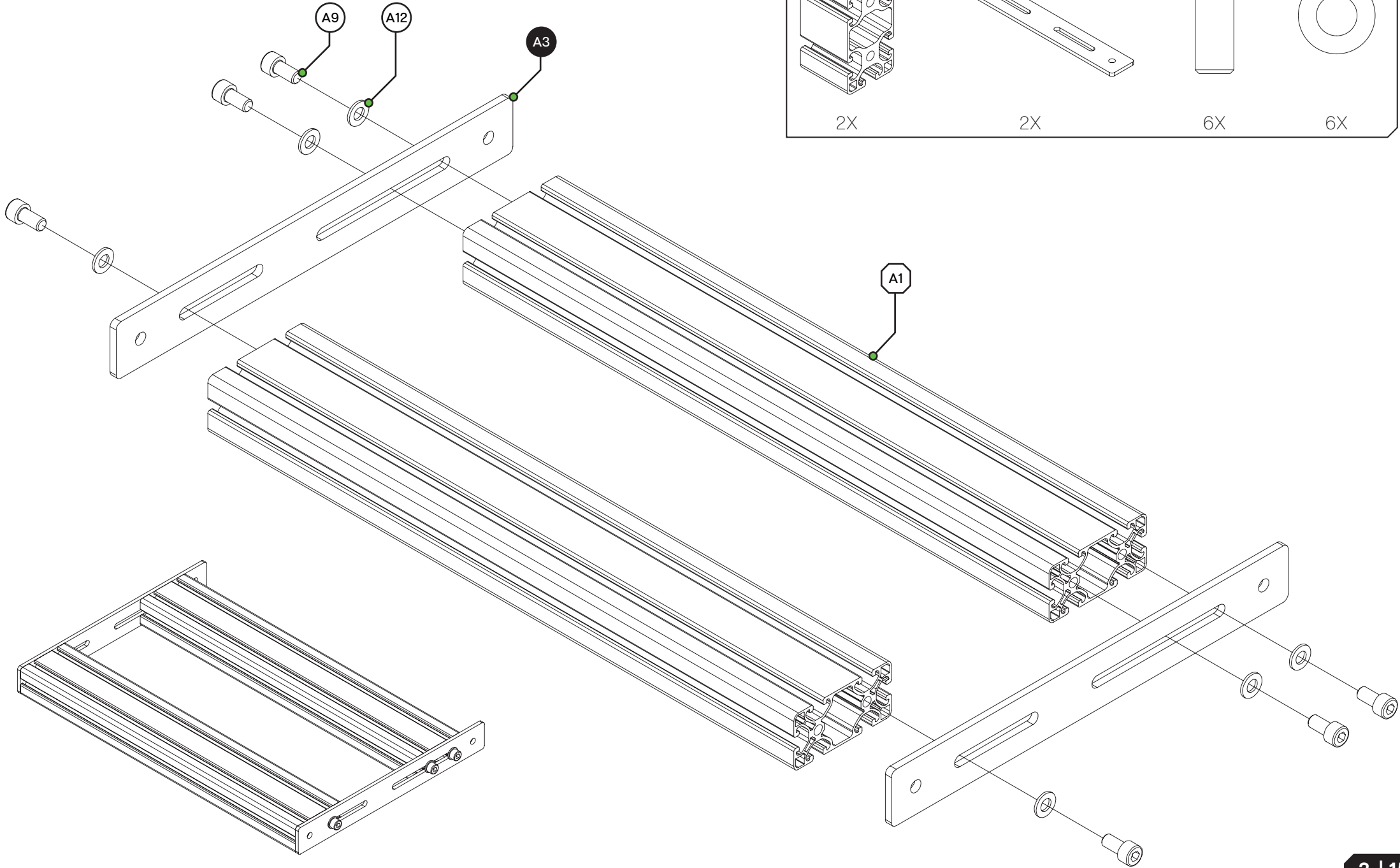


13MM

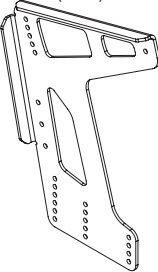
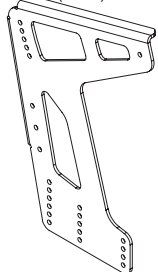
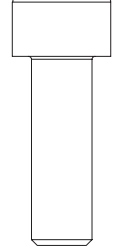
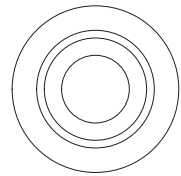
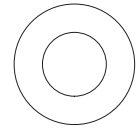
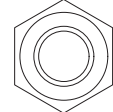
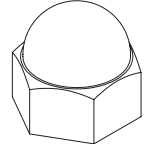


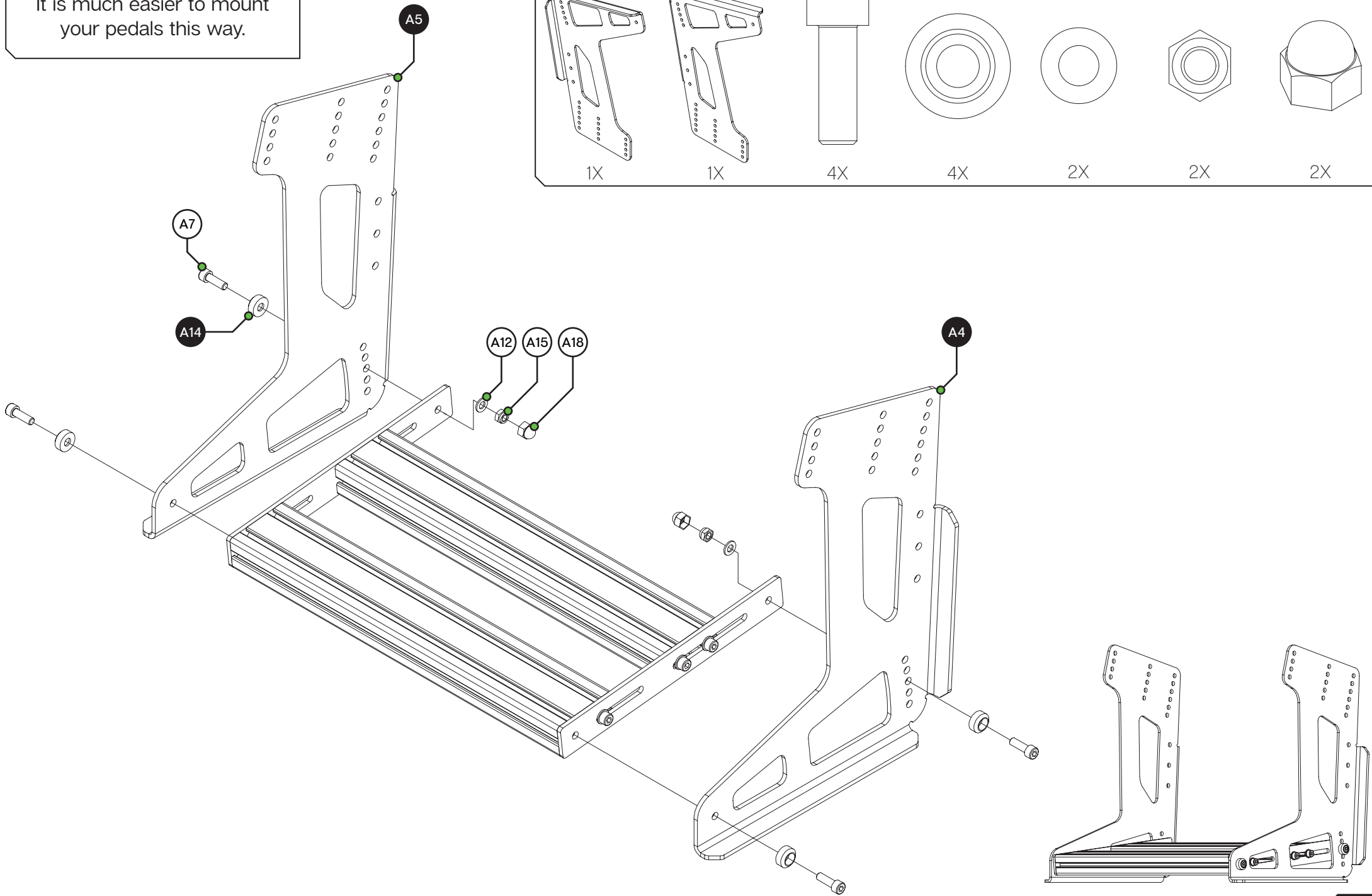
Want to mount pedal sliders?  
Please see page 11.

480MM	Pivot Plate	M8 X 16	Washer M8
			
2X	2X	6X	6X

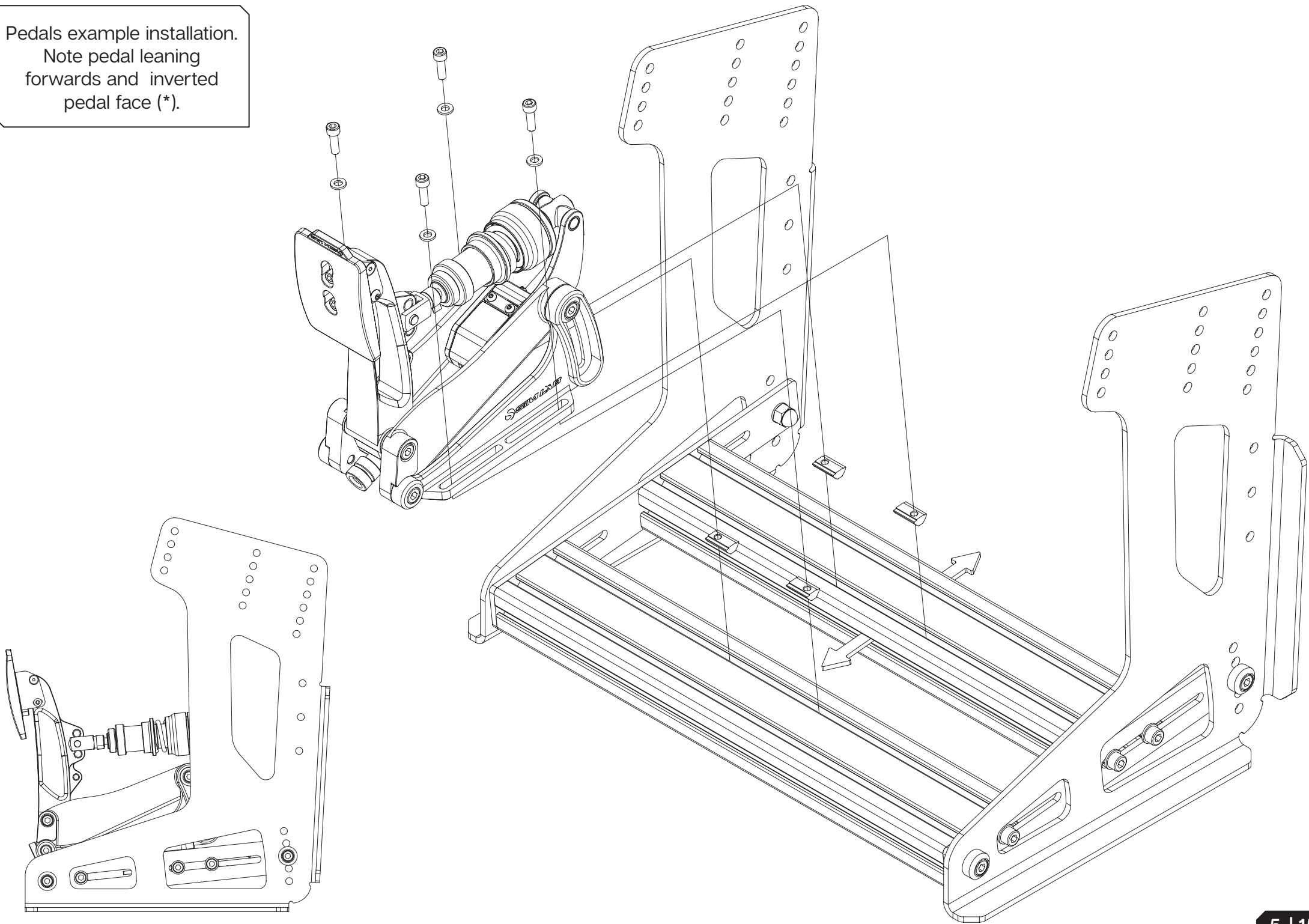


Building upside down for now.  
It is much easier to mount  
your pedals this way.

Upright Left (A4)	Upright Right (A5)	M8 X 25	Cap-Washer M8	Washer M8 (A12)	Lock-Nut M8 (A15)	Nut Cap M8 (A18)
						
1X	1X	4X	4X	2X	2X	2X



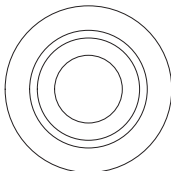
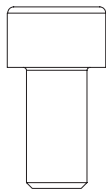
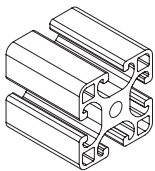
Pedals example installation.  
Note pedal leaning  
forwards and inverted  
pedal face (\*).



490MM

M8 X 16

Cap-Washer  
M8

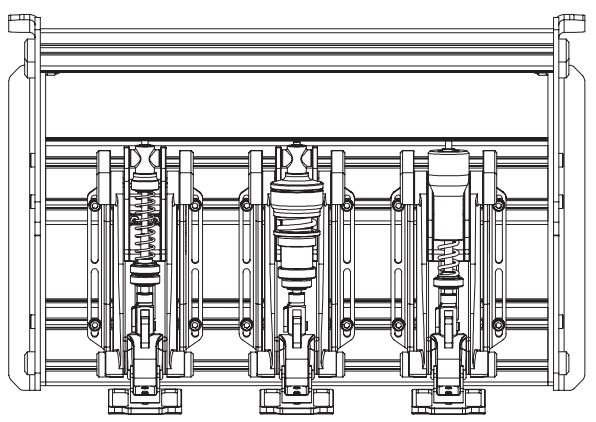
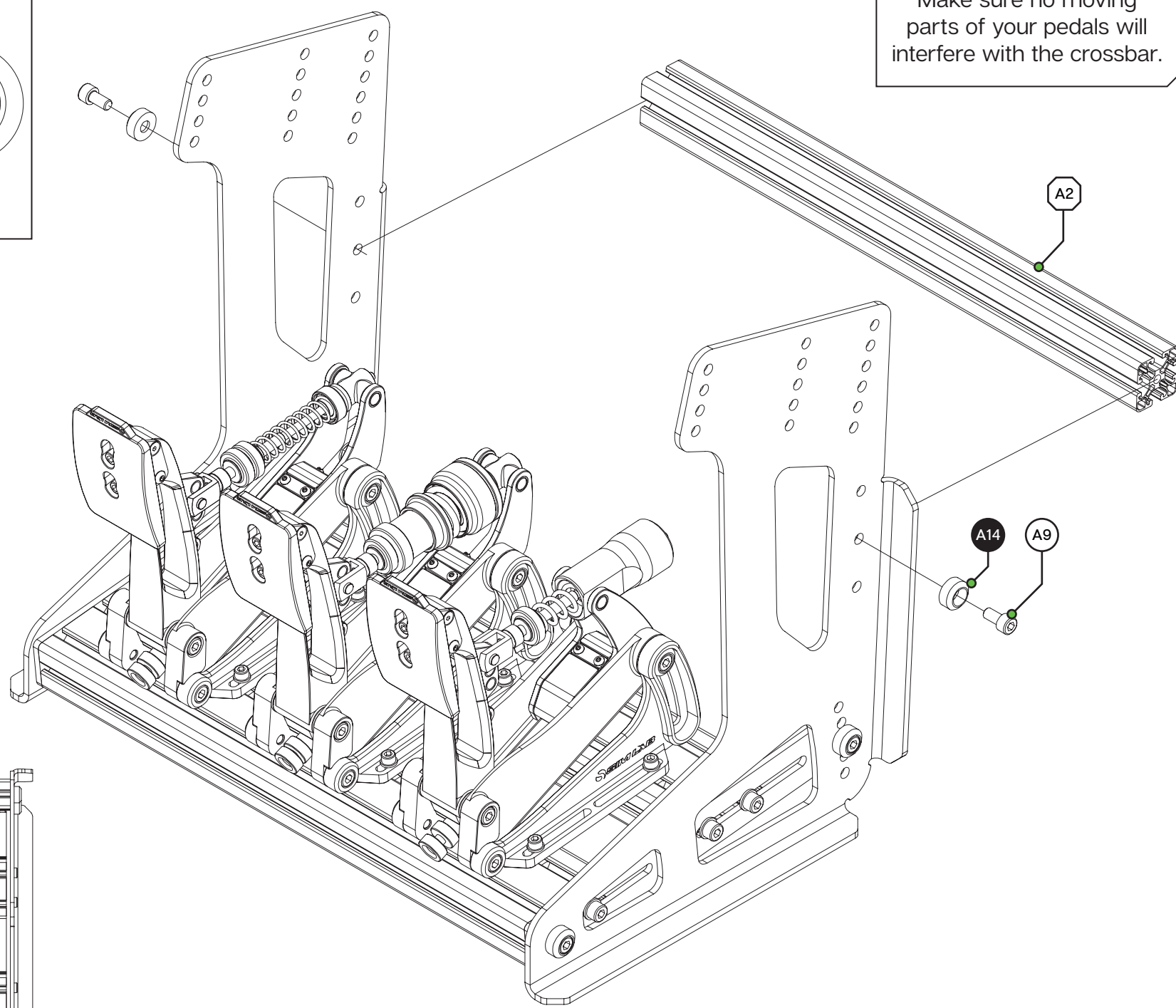


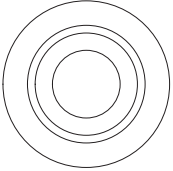
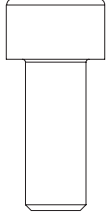
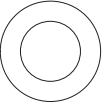
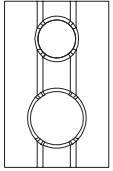
1X

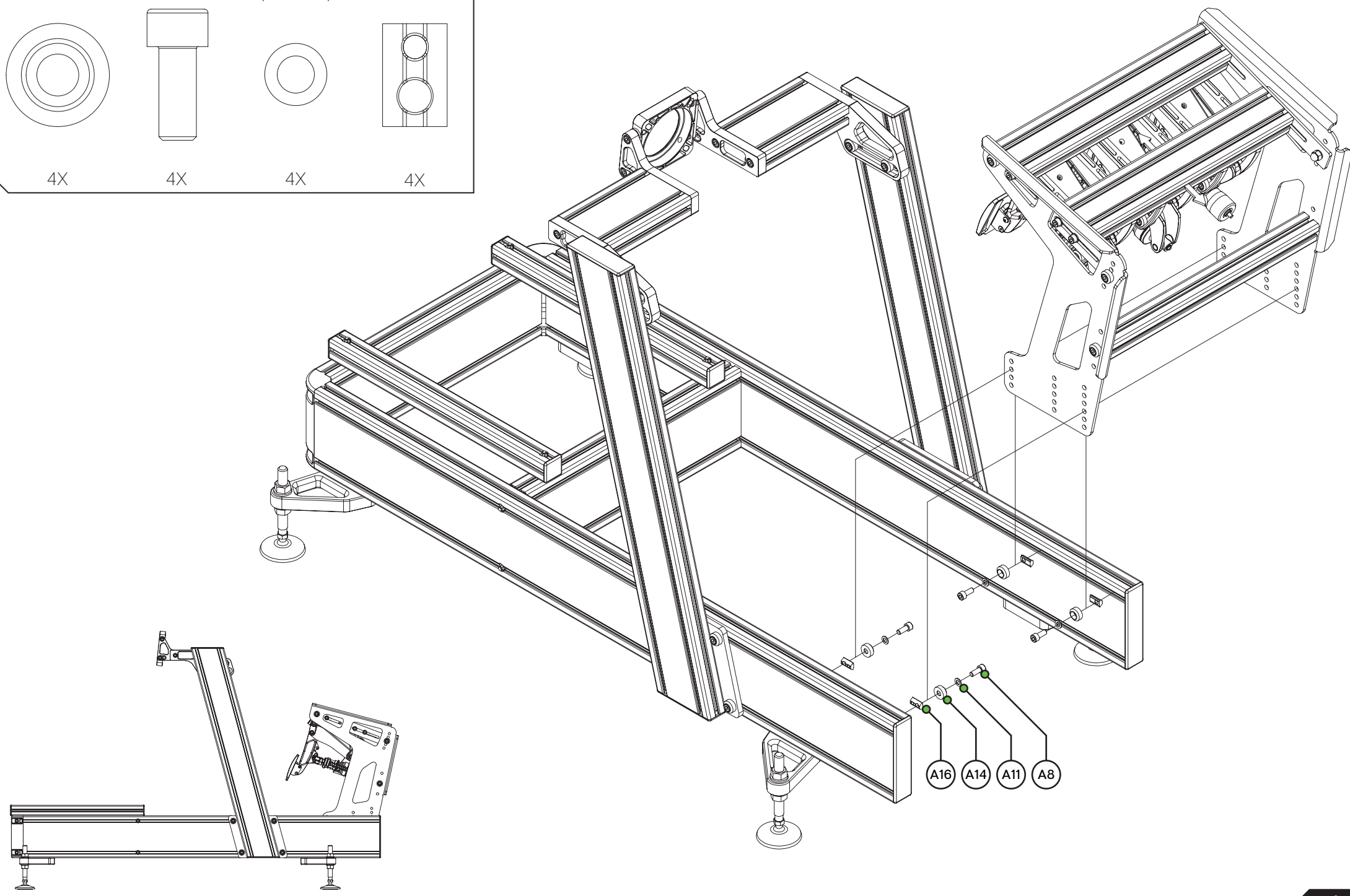
2X

2X

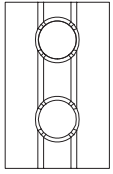
Make sure no moving parts of your pedals will interfere with the crossbar.



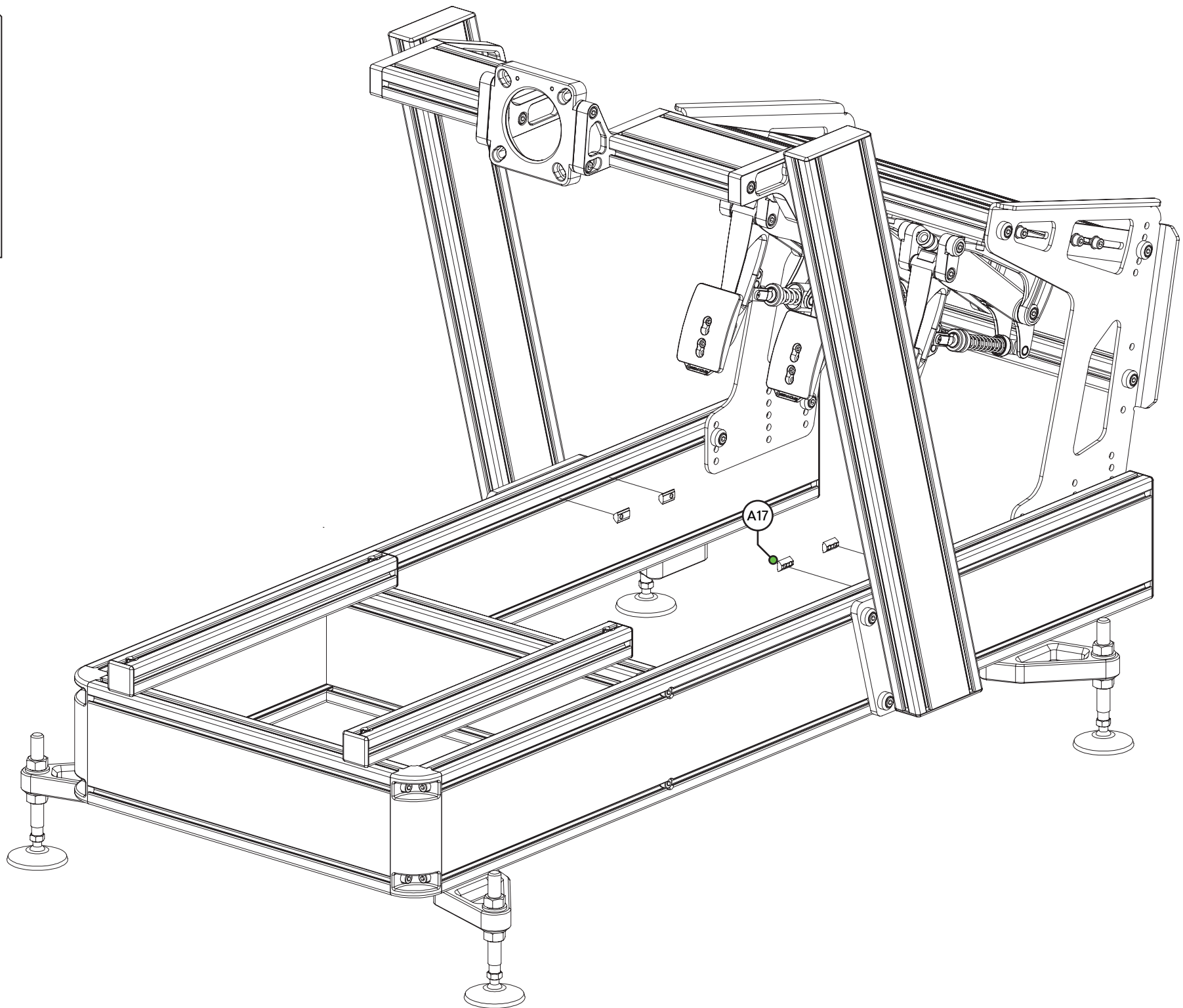
Cap-Washer M8	M8 X 20	Washer M8 (DIN 988)	Slot-Nut M8
			
4X	4X	4X	4X



Slot-Nut M6



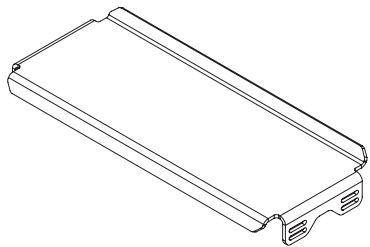
4X



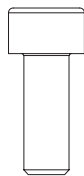
Heel Rest

M6 X 16

Washer M6



1X

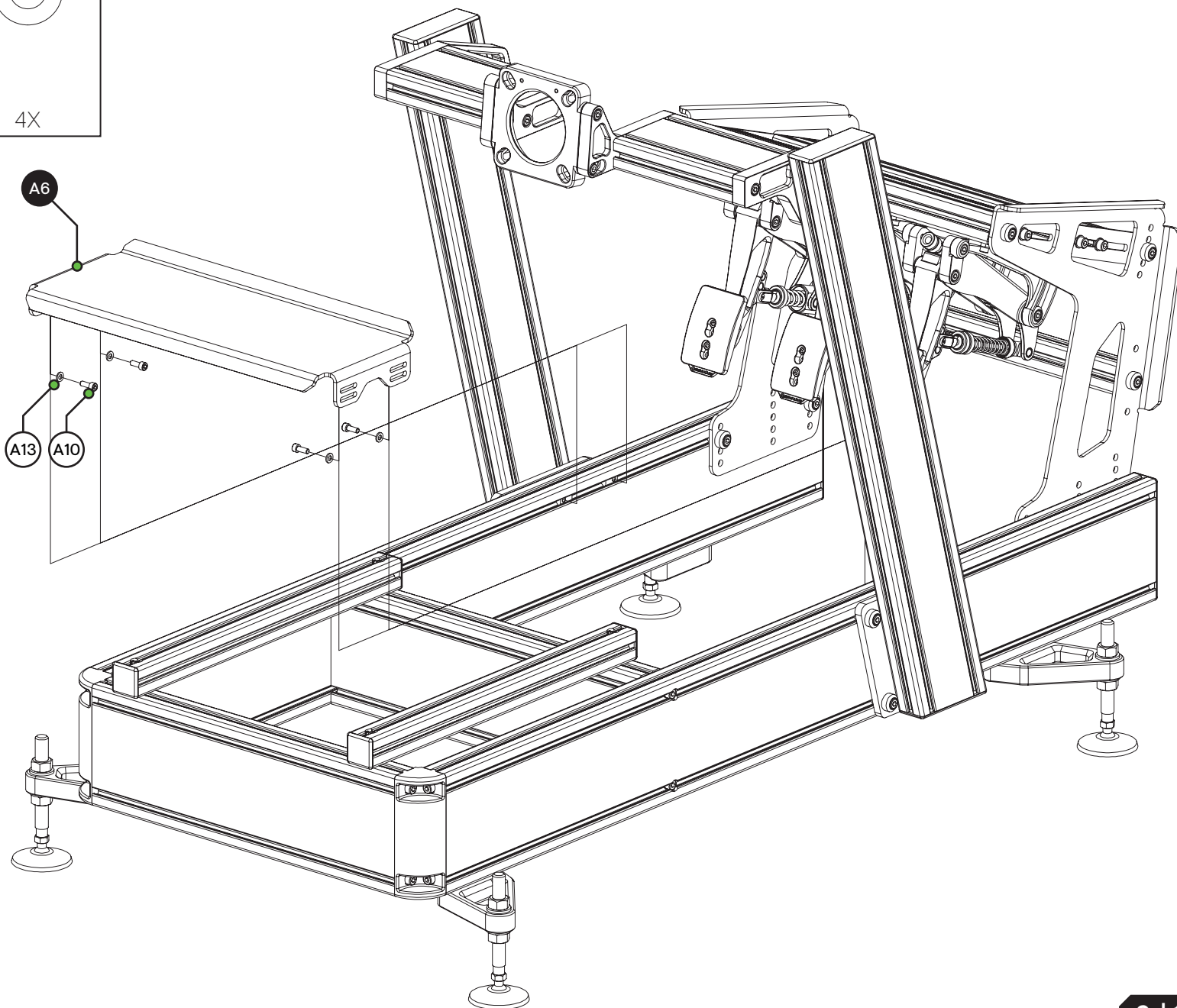
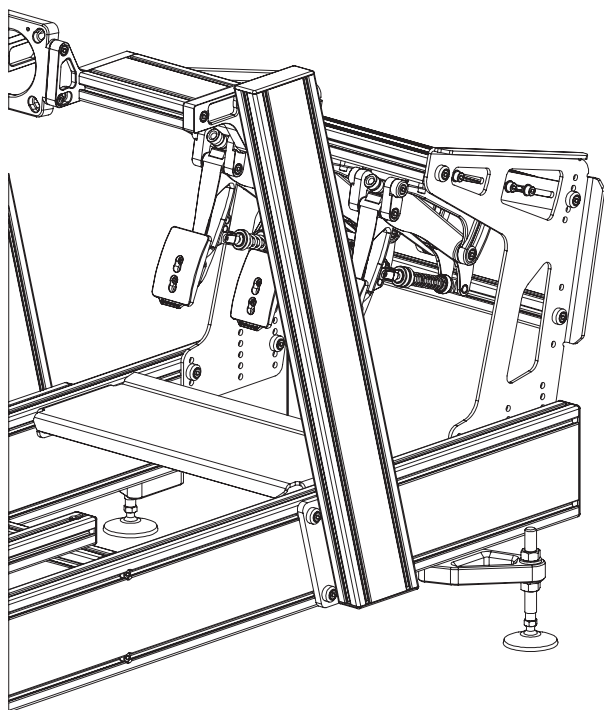


4X

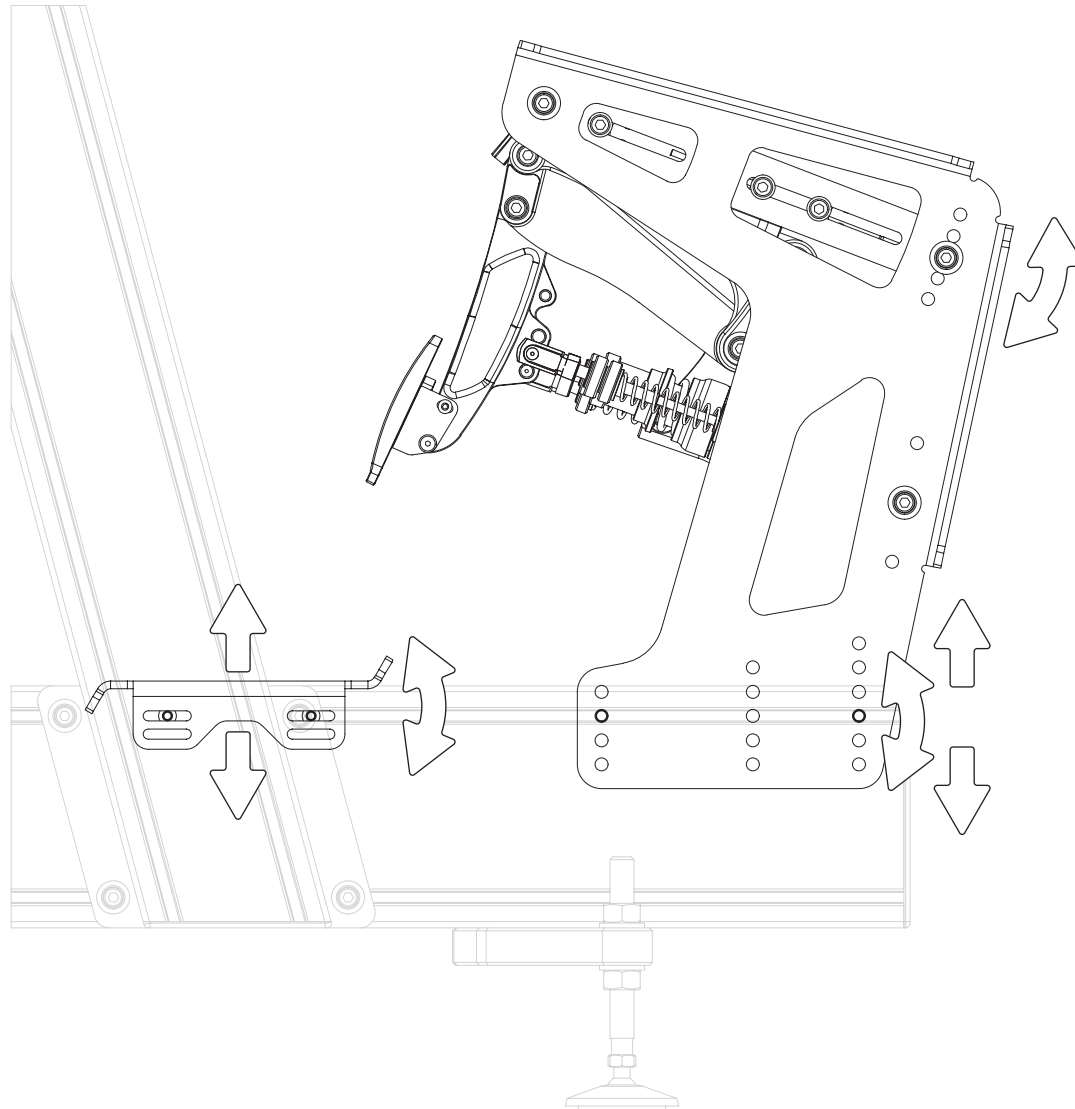


4X

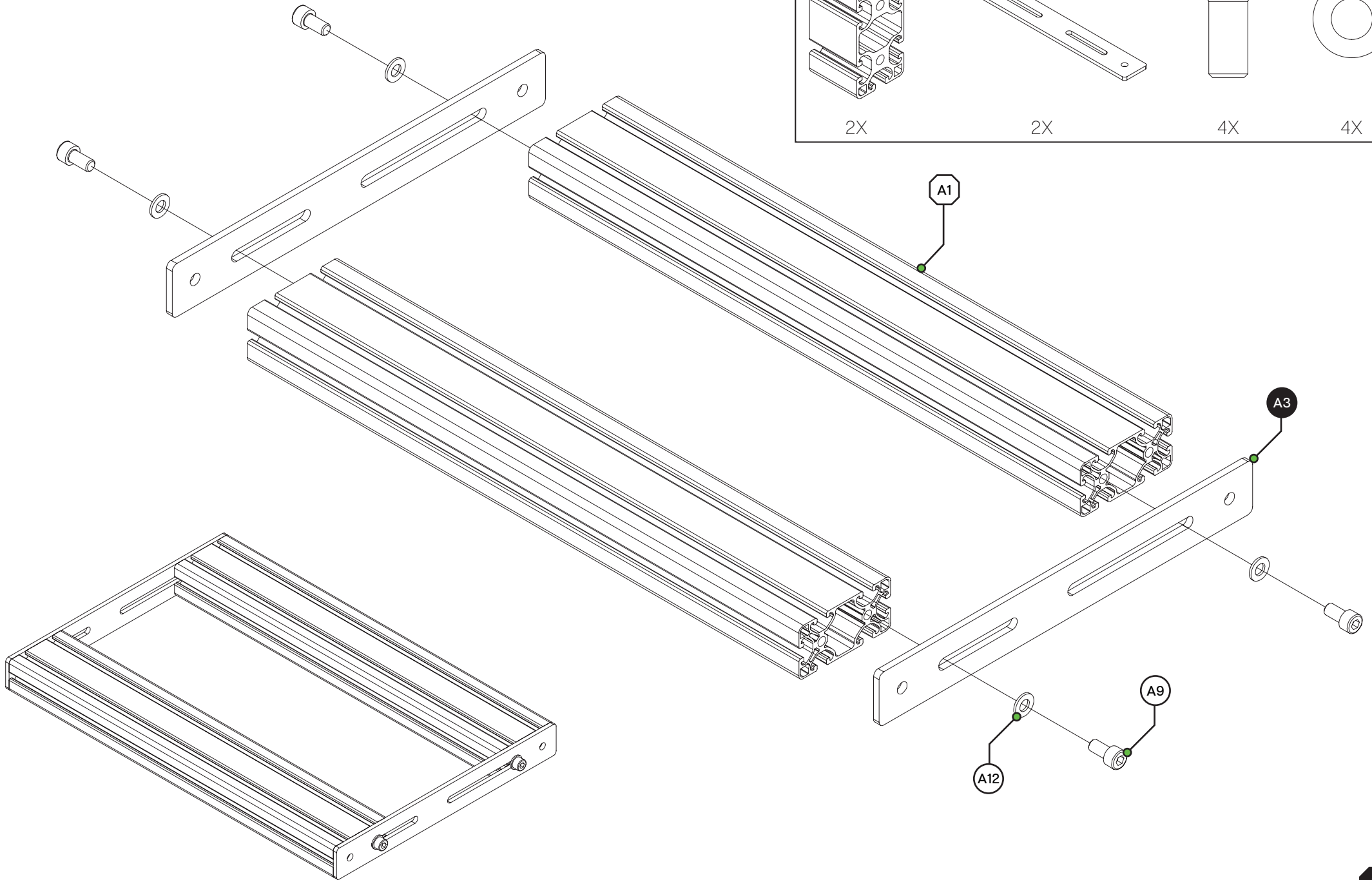
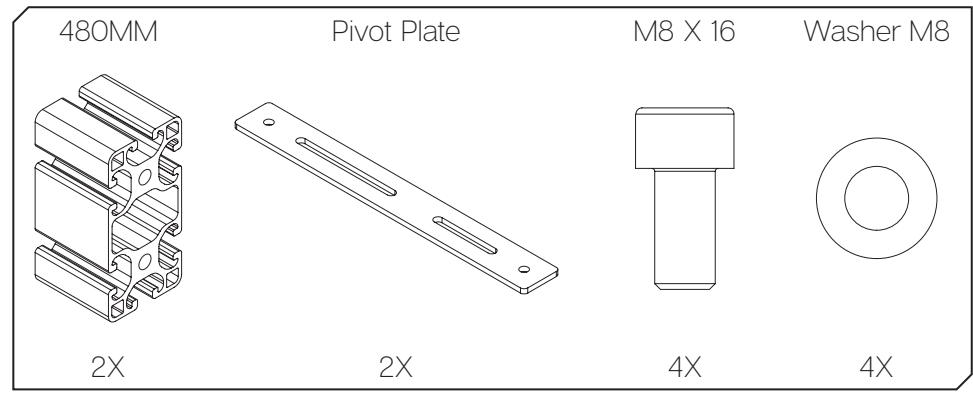
The heel rest can also be used upside down for lower positioning.



Every major part can be set up to your preference.



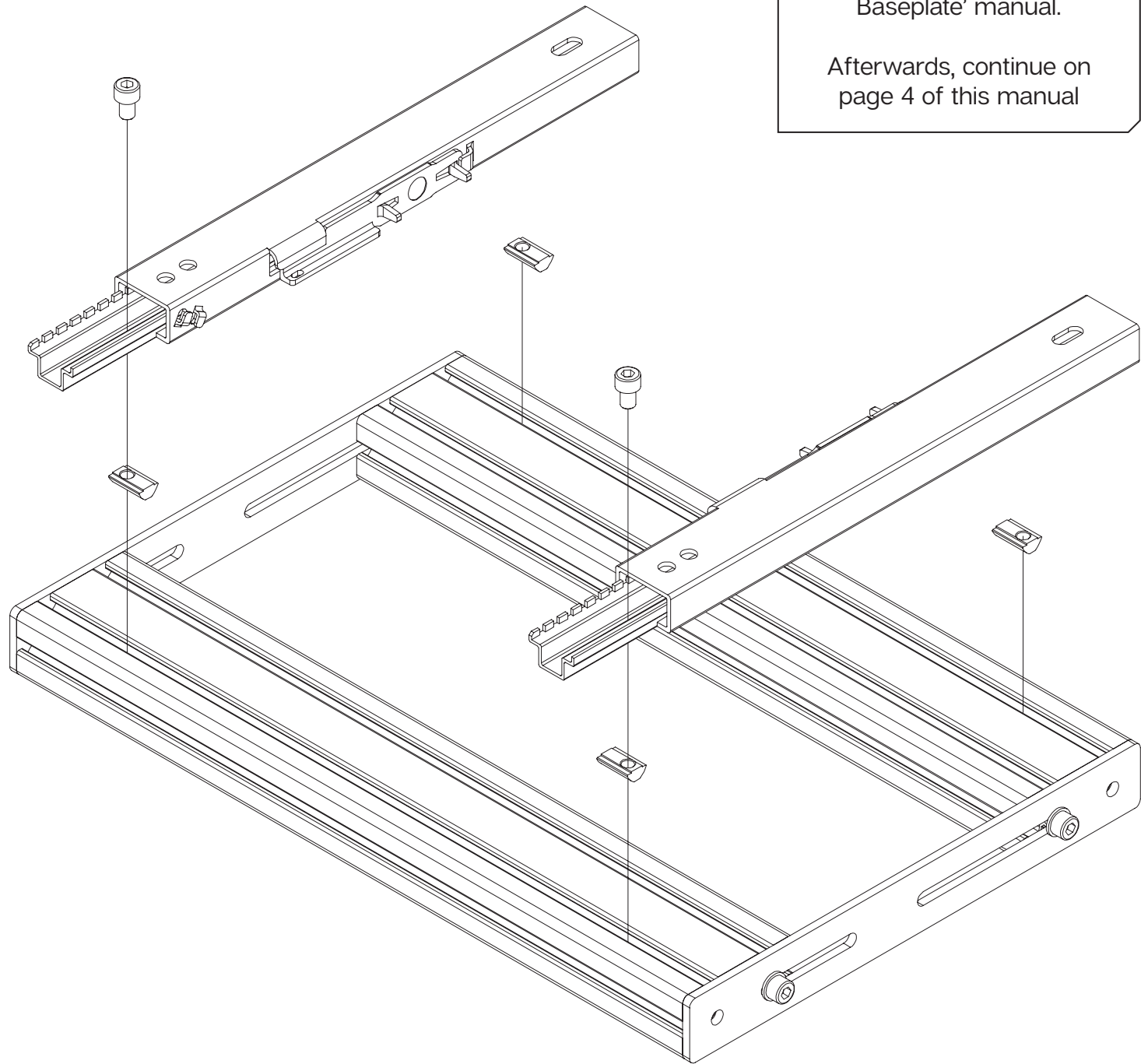
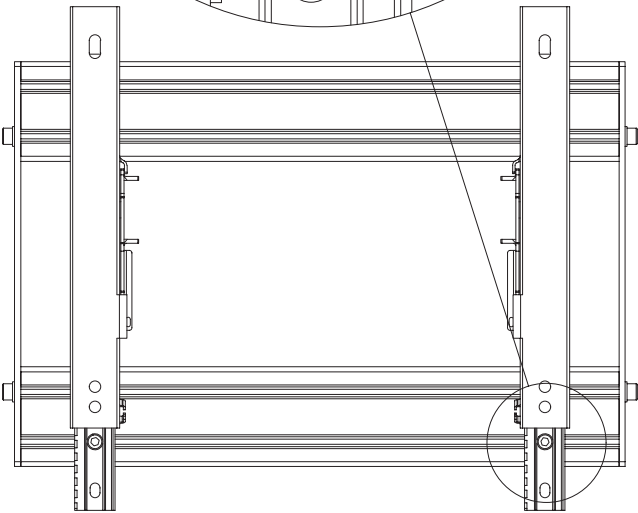
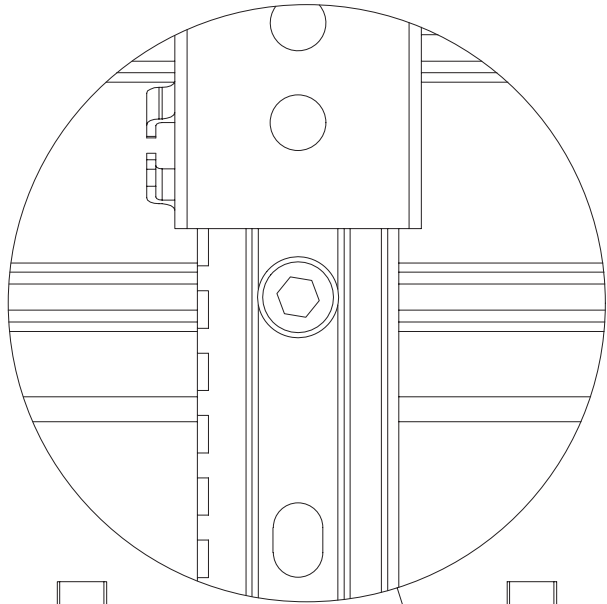
Preparing for a  
pedal slider.

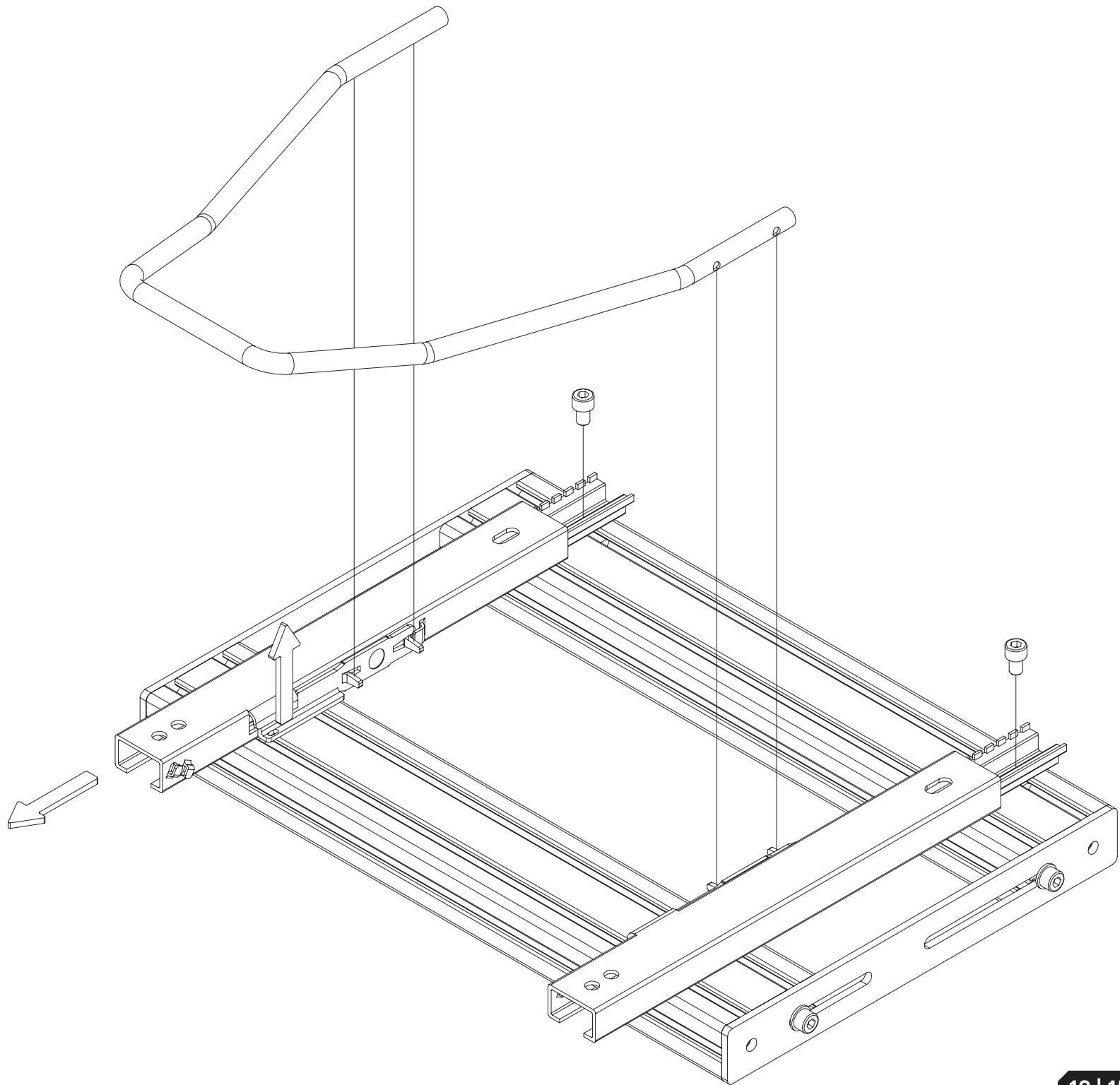
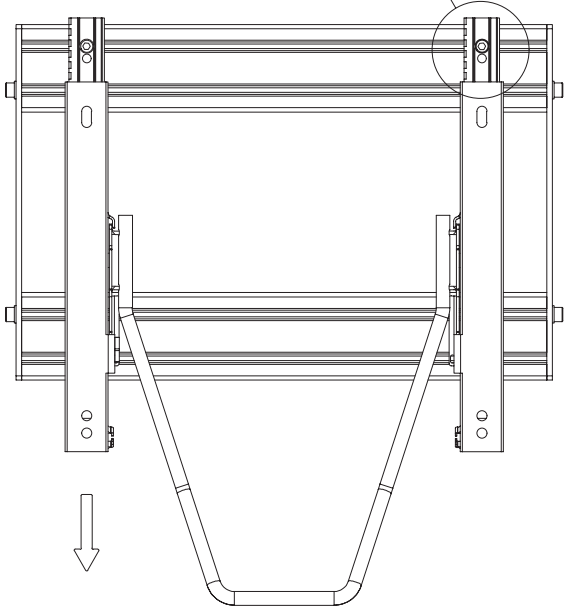
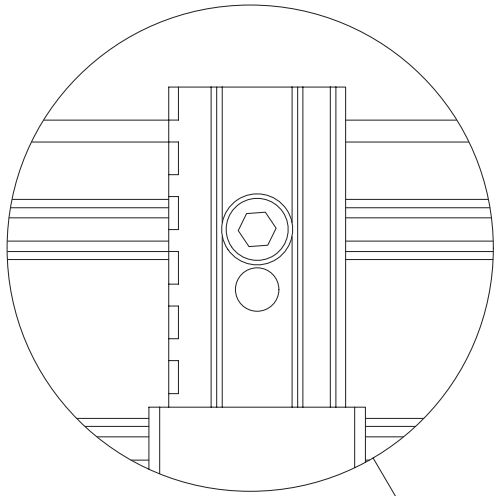


Hardware is supplied with  
the slider.

Please follow our 'Pedal Slider  
Baseplate' manual.

Afterwards, continue on  
page 4 of this manual





**BOX A - INVERTED PEDAL RACK V2  
PROFILE KIT**

#	Part	QTY	Note
A1	80X40 Length=480mm	2	
A2	40X40 Length=490mm	1	
<b>HARDWARE KIT</b>			
A3	Pivot Plate	2	
A4	Upright Left	1	
A5	Upright Right	1	
A6	Heel Rest	1	
A7	Bolt M8 X 25 DIN 912	4	
A8	Bolt M8 X 20 DIN 912	4	
A9	Bolt M8 X 16 DIN 912	10	
A10	Bolt M6 X 16 DIN 912	4	
A11	Washer M8 DIN 988	4	Small.
A12	Washer M8 DIN 125-A	12	
A13	Washer M6 DIN 125-A	4	
A14	Cap-Washer M8	10	
A15	Lock-Nut M8	4	
A16	Slot-Nut M8	4	
A17	Slot-Nut M6	4	
A18	Nut Cap M8	4	

If you still have some questions regarding assembly of this product or about the manual itself, please refer to our support department. They can be reached at

support@sim-lab.eu

Alternatively, we now have a Discord server where there are quite some experienced Sim-Lab customers hanging out. They might just help you along if you ask them nicely ;)

[www.sim-lab.eu/discord](http://www.sim-lab.eu/discord)

If you feel like printing this manual, please consider the environment before doing so. For the best results, make sure you print at 100% scale without borders.

[Product page on the Sim-Lab website:](#)

