

Double Switch 10AX Quick Connect + Rockers Aluminium Simon 82 Concept

REF. 8200397-093



BASIC INFORMATION

FINISH

Aluminium

COMPATIBILITY

Marcos Simon 82 Concept,
Simon 82 Detail, Simon 82
Nature and Simon 82.

PACKAGING

Flow pack

ETIM CLASS

EC001590

TECHNICAL INFORMATION

INDICATOR FUNCTION

No

CURRENT (A)

10 AX

MONOBLOCK

No

REGULATIONS

WARRANTY

3 years

LOGISTICS INFORMATION

UNITARY EAN CODE

8421053279892

UNITARY PACKAGING HEIGHT

0

UNITARY PACKAGING WIDTH

0

UNITARY PACKAGING LENGTH

0

UNITARY PACKAGING MEASUREMENT UNIT

MMT

UNITARY PACKAGING VOLUME

0

UNITARY PACKAGING VOLUME UNIT

MMQ

UNITARY PACKAGING GROSS WEIGHT

0.083

PRODUCT NET WEIGHT

0.083

UNITARY PACKAGING WEIGHT UNIT

KGM

PACKAGING EAN

8421053228869

UNITS CONTAINED PACKAGING

5

PACKAGING HEIGHT

83

PACKAGING WIDTH

165

PACKAGING LENGTH

221

PACKAGING MEASUREMENT UNIT

MMT

PACKAGING VOLUME

3026595

PACKAGING VOLUME UNIT

MMQ

PACKAGING GROSS WEIGHT

0.417

PACKAGING NET WEIGHT

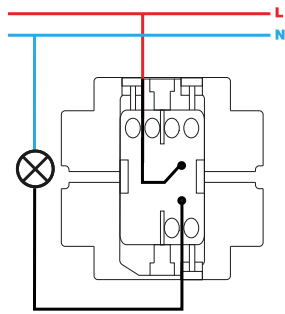
0.415

PACKAGING WEIGHT UNIT

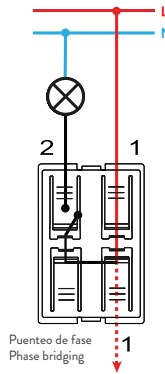
KGM

MECANISMOS SIMON 31, 75, 77, 82 Y 88

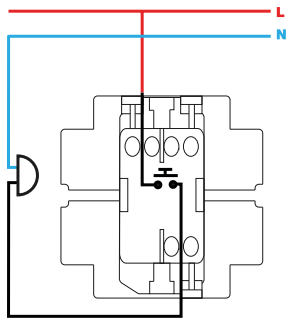
Mecanismos básicos / Basic switches



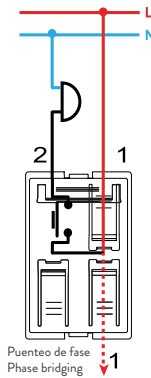
Interruptor unipolar / Single-pole switch
XXXX101-XXX



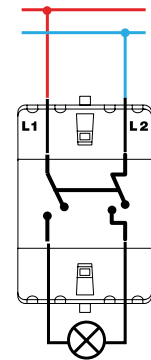
Interruptor unipolar / Single-pole switch
7700101-039



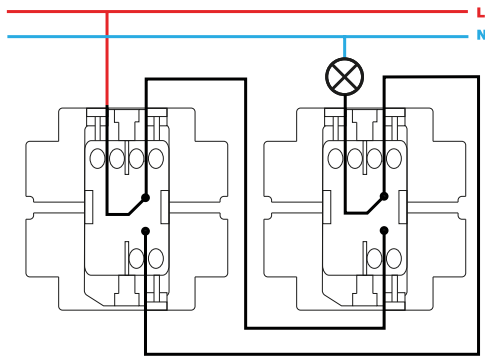
Pulsador / Push button switch
XXXX150-XXX



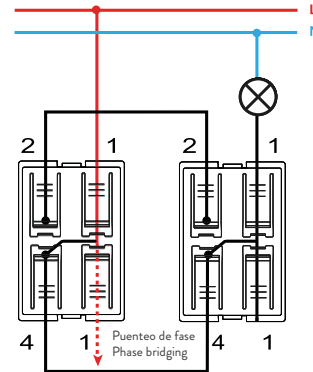
Pulsador / Push button switch
7700150-039



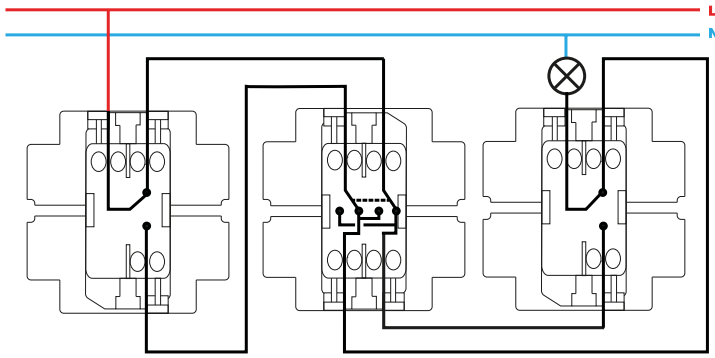
Interruptor bipolar / Double pole switch
XXXX133-XXX



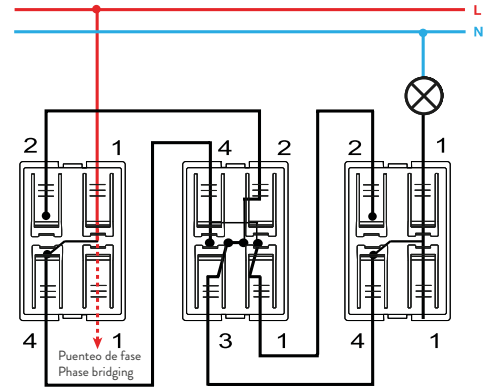
Conmutador / 2-way switch
XXXX201-XXX



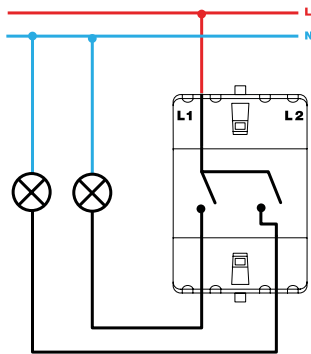
Conmutador / 2-way switch
7700201-039



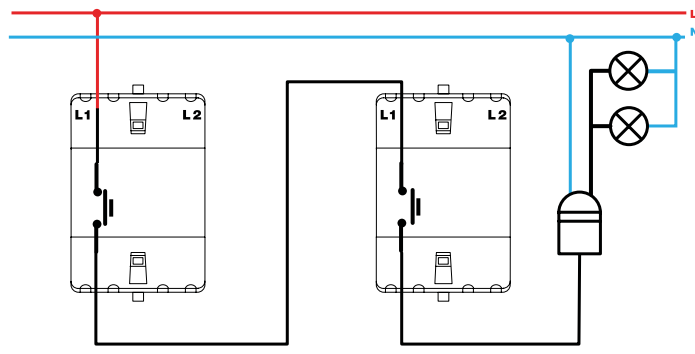
Conmutador cruce / Intermediate switch
XXXX251-XXX



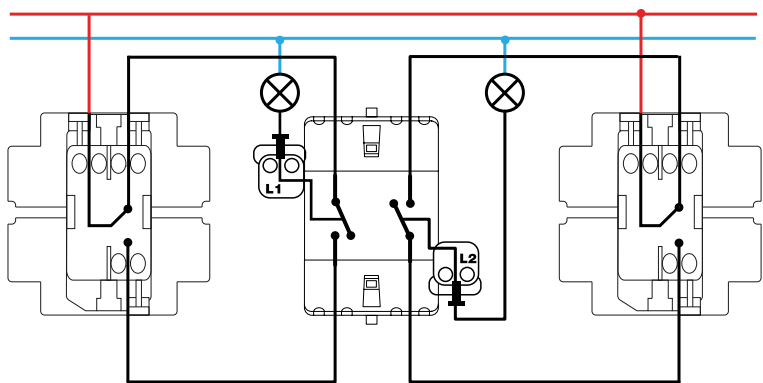
Conmutador cruce / Intermediate switch
7700251-039



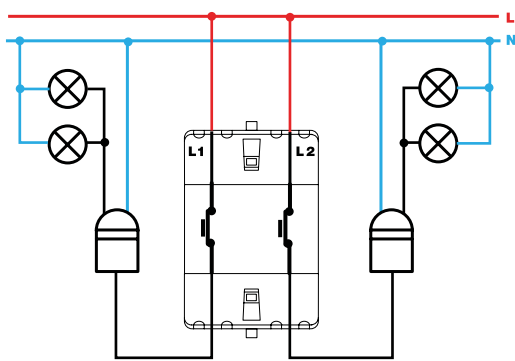
Grupo 2 interruptores / 2 switches group
XXXX398-XXX



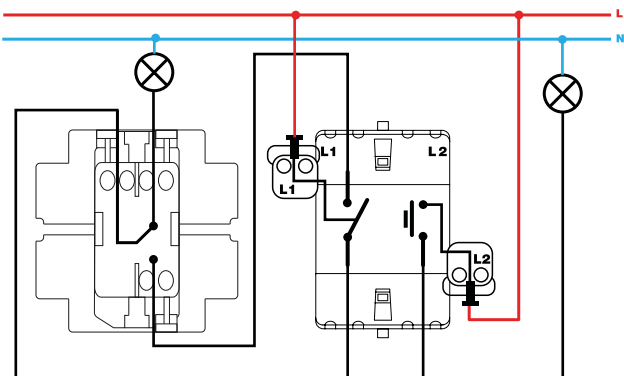
Pulsador desconexión / Push button disconnection switch
XXXX152-XXX



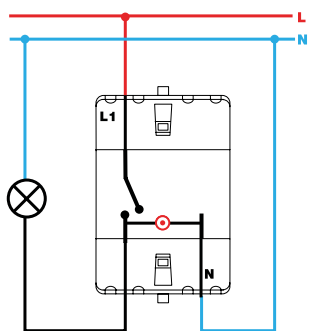
Grupo dos conmutadores / 2-way switches group
XXXX397-XXX



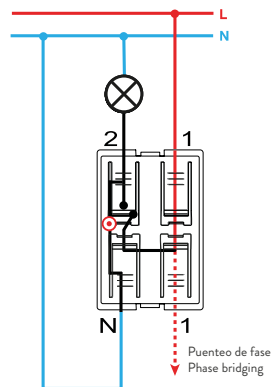
Grupo de pulsadores desconexión / Push button disconnection group
XXXX395-XXX



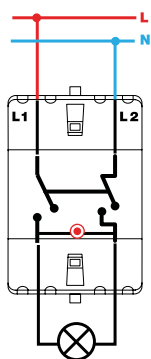
Grupo conmutador y pulsador / 2-way and push button switch group
XXXX301-XXX



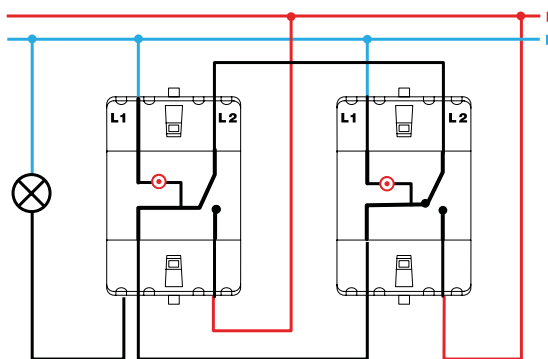
Interruptor unipolar / Single-pole switch
XXX102-XXX



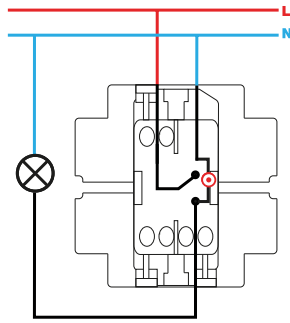
Interruptor con piloto / Push button pilot switch
7700112-039



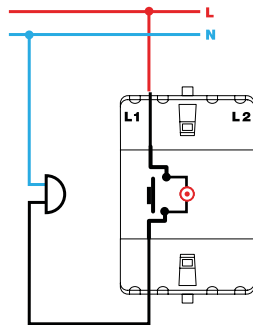
Interruptor bipolar / Double pole switch
XXX134-XXX



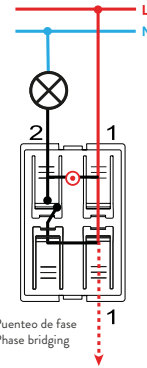
Conmutador / 2-way switch
XXX202-XXX



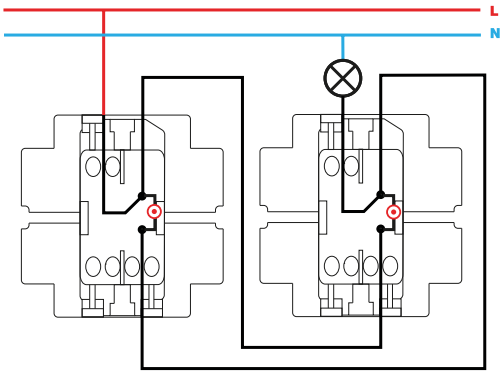
Interruptor unipolar con luminoso / Single-pole switch with light
XXXX104-XXX



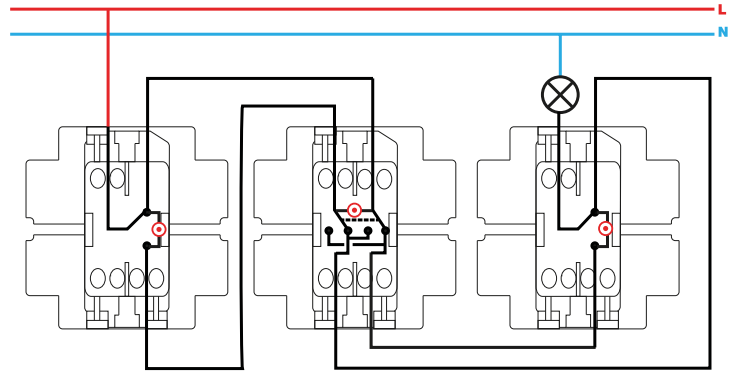
Pulsador con luminoso / Push button switch with light
XXXX160-XXX



Pulsador con luminoso / Push button switch with light
7700160-039



Conmutador con luminoso / 2-way switch with light
XXXX204-XXX



Conmutador cruce con luminoso / Intermediate switch with light
XXXX254-XXX