

INSTALLATION INSTRUCTION MANUAL

1. Introduction

- ☒ This LED Flood light uses the latest in solid state lighting technology for long life, low maintenance, and high efficiency.
- ☒ There are Multiple installation methods, suitable for various occasion.

Warning:

To avoid the risk of fire, explosion, or electric shock, this product should be installed, inspected, and maintained by a qualified electrician only, in accordance with all applicable electrical codes.

To avoid electric shock:

- ☒ Be certain electrical power is OFF before and during installation and maintenance.
- ☒ Luminaire must be connected to a wiring system with an equipment-grounding conductor.

To avoid explosion:

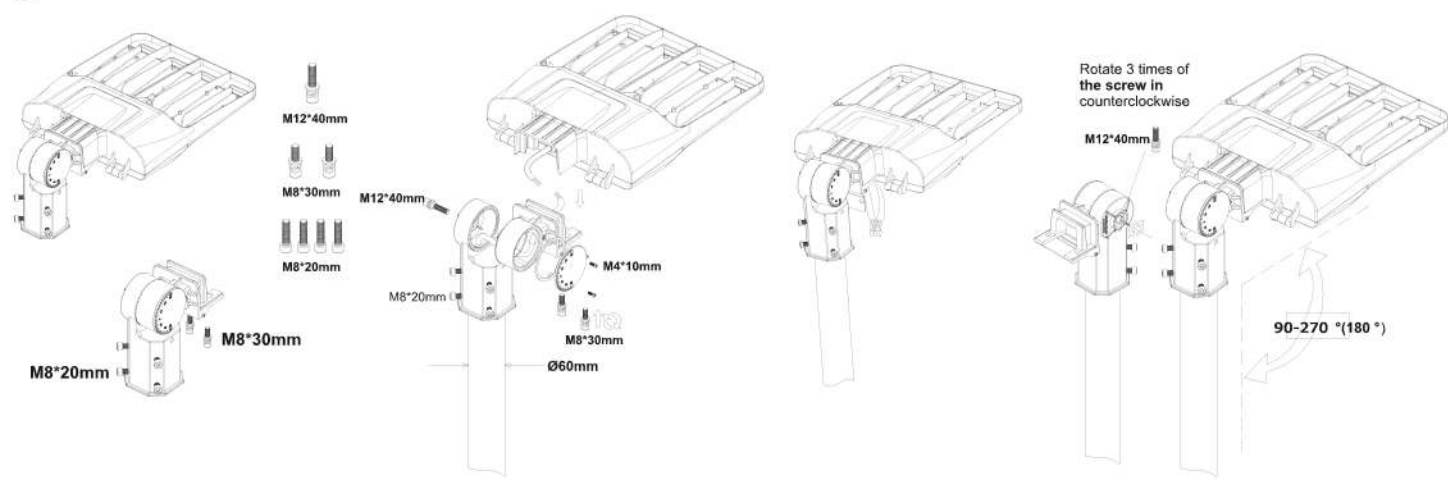
- ☒ Make sure the supply voltage is the same as the rated luminaire voltage.
- ☒ Do not install where the marked operating temperatures exceed the ignition temperature of the hazardous atmosphere.
- ☒ Do not operate in ambient temperatures above those indicated on the luminaire nameplate.
- ☒ Keep lens tightly closed when in operation.

For supply connections use wire rated for at least 90 ° C

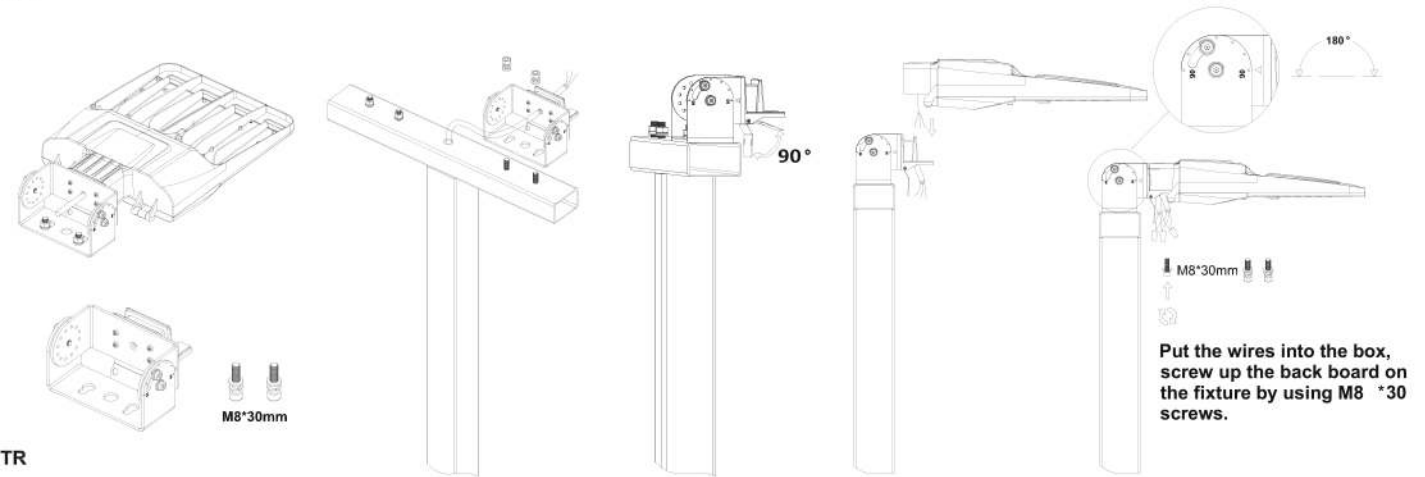
After installation, please

- ☒ check whether the lighting fixture is firmly fixed.
- ☒ check whether wires are connected correctly.
- ☒ At last, turn on the power, and check if the lighting fixture works well. If not, please turn off the power and contact with local dealer.

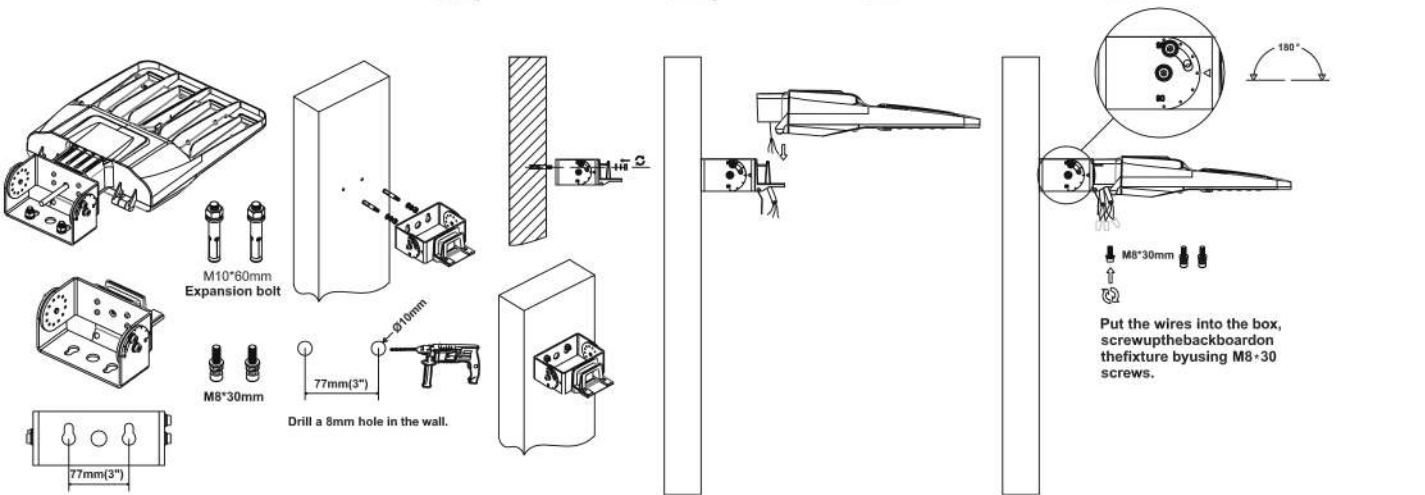
SF



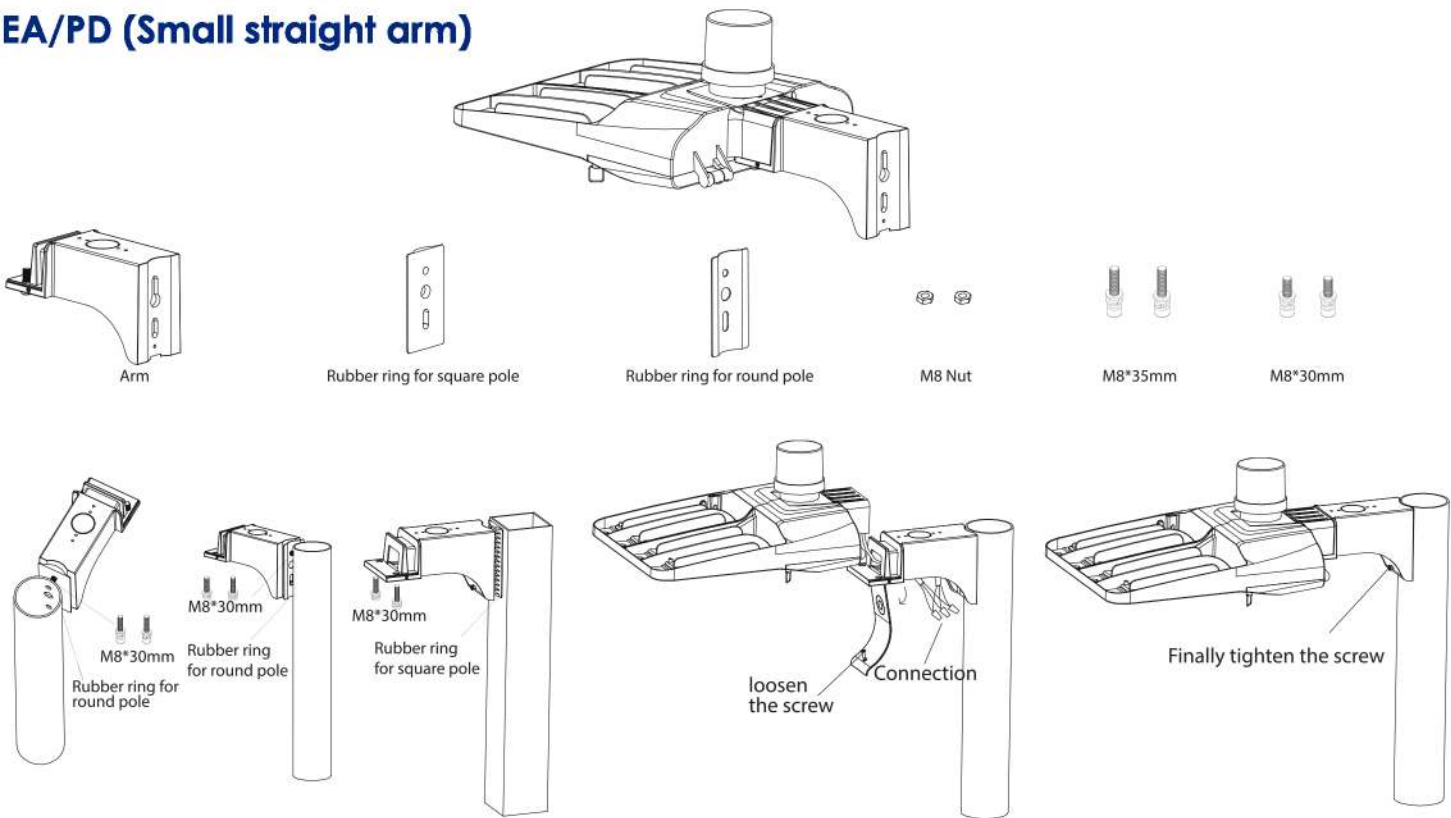
TR



TR



EA/PD (Small straight arm)



Circular pole mounting (installation)

Square pole mounting (installation)

Wiring solution 1