

Form 2680w

(141)

Printed in U. S. A.

LIST OF PARTS



MACHINE No. 138w102

** A TRADE-MARK OF

THE SINGER MANUFACTURING COMPANY

INSTRUCTIONS FOR OILING

To ensure easy running and prevent unnecessary wear of the parts which are in movable contact, the machine requires oiling, and when in continuous use, "TYPE B" or "TYPE D" OIL, sold only by Singer Sewing Machine Company, should be applied at least twice each day to small felt pad on the side of each bobbin case and all oil holes marked "OIL," as instructed in Form 2312w.

"TYPE D" OIL is stainless.

Copyright, U. S. A., 1939, 1940 and 1941
by The Singer Manufacturing Company
All Rights Reserved for All Countries

INDEX

	Page
Accessories	15
Bobbin Winder	15
Knee Lifter	16
Machine No.138w102	5
Miscellaneous Parts	18
Numerical List of Parts	19
Thread Unwinder	17
Wood Base.....	17
Work Plate	17

INSTRUCTIONS FOR ORDERING

In ordering from this list, use **ONLY** the **PART** number in the **FIRST** column.

The number stamped on a Sewing Machine Part is the number of the Single Part only, except when the part includes Set Screws, Clamping Screws, Studs and Rollers Spun on, Small Wires riveted, or Parts soldered together, etc., which it is necessary to furnish in combination.

Every combination of parts sent out has its specific number which, although not stamped on Parts (except in above case), must be used when ordering the combination.

Each number always indicates the **SAME PART** in whatever list it appears, or for whatever Machine.

The letters after some of the numbers indicate the style of finish only, as follows:

- A. Hardened, Polished, Nickel Plated and Buffed.
- B. Polished, Nickel Plated and Buffed.
- C. Hardened only.
- D. Polished only.
- E. Soft, not polished.
- F. Hardened and Polished.
- H. Blued.
- J. Nickel Plated only.
- R. Merlized.
- X. Black Oxide.
- XC. Hardened and Black Oxide.
- Y. Blade Nickel only.

These letters **MUST BE USED** when they appear in the list and **AFTER** the number, as in the list.

In this series:

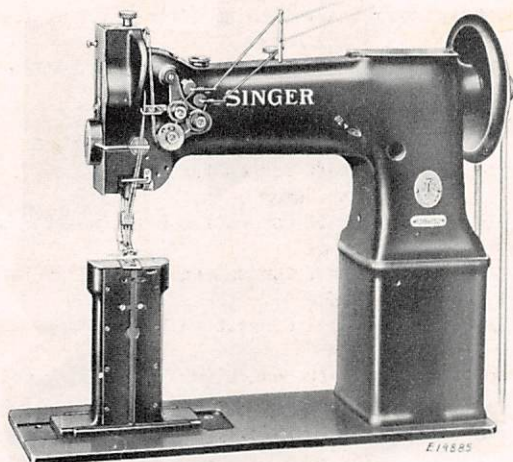
200001 to 201500 and 350001 to 351500 are Screw Numbers.
201501 to 201800 and 351501 to 351800 are Nut Numbers.
201801 to 202000 and 351801 to 352000 are Roller Numbers.
202001 to 350000 are Numbers of Machine Parts.

The figures in the second column refer only to the plate in which the illustration of the part is shown and are **NOT TO BE USED** in ordering.

Two or more numbers over a cut indicate that the difference between such parts is not visible in an illustration.

Parts marked with an asterisk (*) are furnished when repairs are made at the factory.

LIST OF PARTS COMPLETE
FOR



MACHINE No. 138w102

HIGH SPEED. TWO NEEDLE.
COMPOUND FEED. ALTERNATING PRESSERS.
POST MACHINE.

FOR STITCHING BACK STAYS ON HEAVY UNLINED
SHOES AND TOP LACE BOOTS.

IN GAUGES FROM $\frac{3}{32}$ TO $\frac{3}{4}$ INCH.

No.	Plate	Name
*264150	-----	Arm with 202135
264002	-----	" Base
204235	16062	" " Position Pin (2)
200004E	16062	" " Screw (3)
202005	16062	" " " Washer (3)
224002	16051	" Cap
20027RH	16051	" " Screw
202248	16051	" " " Washer
204235	16062	" Position Pin (2)
200004E	16062	" Screw (3)
202005	16062	" " Washer (3)
264151	16051	" Shaft with 224392 and 350431E
240802	16051	" " Bushing (back) with 202244
202244	16051	" " " " Oil Packing (wick)
200338C	16051	" " " " Set Screw
207080	16051	" " " (front) with 202244

No.	Plate	Name
202244	16051	Arm Shaft Bushing (front) Oil Packing (wick)
200502B	16051	Arm Shaft Bushing (front) Oil Packing Thumb Screw
200338C	16051	Arm Shaft Bushing (front) Set Screw
264004	16052	" " Connection Belt
224104	16052	" " " Pulley with 200327C, 200602E and two 202253
200602E	16052	Arm Shaft Connection Belt Pulley Position Screw
200327C	16052	Arm Shaft Connection Belt Pulley Set Screw
202253	16052	Arm Shaft Connection Belt Pulley Spring Flange
224113	16053	Arm Shaft Connection Belt Timing Collar with 200113F
200113F	16053	Arm Shaft Connection Belt Timing Collar Set Screw
224139	16053	Arm Shaft Connection Belt Timing Plate
200164B	16053	" " " " " " Screw (2)
224392	16051	Arm Shaft Oil Packing (wick)
350431E	16051	" " " " Stop Screw
237577	16051	Balance Wheel (belt groove 4 in. diam.) with two 200338C
200338C	16051	Balance Wheel Set Screw
*264005	-----	Bed with 54897
202258	16052	" Hinge Connection (2)
200570E	16052	" " " Screw (4)
54897	16053	" Oil Cup
264113	16053	" " Guard with 223814
223814	16053	" " " Felt
200096D	16053	" " " Screw (2)
203208	16055	Bobbin
235769	16055	" Case Base with 202056, 203211 to 203213 and 203216
203211	16055	Bobbin Case Base Latch
*202056	-----	" " " " Pin
203212	16055	" " " " Plunger
203213	16055	" " " " Spring
241676	16055	" " Cap with 200594C, 200984C, 235771, 241674, 241675 and two 350405C
234079	16057	Bobbin Case Lever
234065	16057	" " " Driving Block
200076D	16057	" " " " " Screw
201272C	16057	" " " Hinge Screw
241674	16055	" " Oiling Felt
241675	16055	" " " " Retainer
350405C	16055	" " " " " Screw

PARTS FOR MACHINE No. 138w102

7

No.	Plate	Name
235771	16055	Bobbin Case Tension Spring
200984C	16055	" " " " Regulating Screw
200594C	16055	Bobbin Case Tension Spring Screw
203216	16055	" " Washer (cloth)
241677	16055	Bobbin Case complete, Nos. 235769 and 241676
240179	16062	Face Plate with 201650H and 350432XC
202135	16062	" " Position Pin
200473B	16062	" " Thumb Screw
264006	16054	Feed Bar
264007	16054	" " 264006 with 200040C, 224052 and 225837
350393C	16054	Feed Bar Hinge Screw (driving)
201518E	16054	" " " " Nut
264010	16056	" Dog, 46 needle hole, for needle sizes 16 and 18, in gauges 3/16 and 7/32 in., for 264101
264011	16056	Feed Dog, 46 needle hole, for needle sizes 16 and 18, in gauges 1/4 to 13/32 in., in steps of 1/32 in., for 264102
264012	16056	Feed Dog, 46 needle hole, for needle sizes 16 and 18, in gauges 1/8 and 5/32 in., for 264103
264013	16056	Feed Dog, 50 needle hole, for needle sizes 14 and 15, in 3/32 in. gauge, for 264103
264031	16056	Feed Dog Lever
200263D	16056	" " " " Hinge Screw
201528D	16056	" " " " " Nut
264032	16056	" " " " Post
264033	16056	" " " " 264032 with 200943F, 201525E, 203624, 264031, 264035 and two 200098E
264034	16056	Feed Dog Lever Post Oil Guard (2)
200132E	16056	" " " " " " Screw (2)
200024C	16056	" " " " " " Screw (4)
203637	16056	" " " " " " Washer (4)
203624	16056	" " " " " " Retainer Washer
200098E	16056	" " " " " " Screw
264035	16056	" " " " " " Slide Block
200943F	16056	" " " " " " Hinge Screw
201525E	16056	" " " " " " " Nut
200098E	16056	" " " " " " Screw
264008	16052	" Driving Connection with 200049D and 202277
201171C	16052	Feed Driving Connection Hinge Screw
201517E	16052	" " " " " " Nut
202277	16052	" " " " " " Oil Packing (wick)

PARTS FOR MACHINE No. 138w102

No.	Plate	Name
202277	16052	Feed Driving Connection Oil Packing (wick)
200049D	16052	Feed Driving Connection Pinch Screw
202300	16052	" " Eccentric Regulating Bracket
224107	16052	" " " " "
		202300 with 224108, two each 200256C and 201525E
224108	16052	Feed Driving Eccentric Regulating Bracket Flange with 200383C and 200437C
200437C	16052	Feed Driving Eccentric Regulating Bracket Flange Position Screw
200383C	16052	Feed Driving Eccentric Regulating Bracket Flange Set Screw
200256C	16052	Feed Driving Eccentric Regulating Bracket Hinge Screw
201525E	16052	Feed Driving Eccentric Regulating Bracket Hinge Screw Nut
237001	16052	Feed Driving Eccentric Regulating Bracket Plunger
237002	16052	Feed Driving Eccentric Regulating Bracket Plunger Spring
200607C	16052	Feed Driving Eccentric Regulating Bracket Plunger Spring Stop Screw
200256C	16052	Feed Driving Eccentric Regulating Bracket Stop Screw
201525E	16052	Feed Driving Eccentric Regulating Bracket Stop Screw Nut
200429C	16052	Feed Driving Eccentric Regulating Screw
200383C	16052	" " " " "
		Check Screw
223650	16054	Feed Driving Rock Shaft
264009	16054	" " " " 223650 with 201518E, 264007 and 350393C
223652	16054	Feed Driving Rock Shaft Crank with 200019E
200019E	16054	Feed Driving Rock Shaft Crank Pinch Screw
202625	16054	" " " " Stop Collar with two 200383C (2)
200383C	16054	Feed Driving Rock Shaft Stop Collar Set Screw
224154	16053	Feed Lifting Cam with 201220C
224052	16054	" " " Fork with 200173D and 223655
200040C	16054	Feed Lifting Cam Fork Screw
225837	16054	" " " " Washer
223655	16054	" " " Oiling Felt
200173D	16054	" " " Screw
201220C	16053	" " " Set Screw

No.	Plate	Name
224122	16051	Feed Regulating Spindle with 202311, 202443 and 202619
*202311	-----	Feed Regulating Spindle Head
202443	16051	" " " " Pin
202619	16051	" " " " Position Pin
*221214	-----	Hook (sewing)
221216	16055	" 221214 with 201253F, 201376F and 203251
264152	16055	Hook and Bobbin Case complete, Nos. 221216 and 241677
223867	16053	Hook Driving Gear (spiral) with 200362C and 201222C (2)
201222C	16053	Hook Driving Gear Position Screw
200362C	16053	" " " Set Screw
224110	16053	" " Shaft
224111	16053	" " " Bushing (back) with 202244
202244	16053	Hook Driving Shaft Bushing (back) Oil Packing (wick)
200327C	16053	Hook Driving Shaft Bushing (back) Set Screw
264038	16053	Hook Driving Shaft Bushing (center)
200335C	16053	" " " " " Set Screw
264039	16053	Hook Driving Shaft Bushing (front)
200327C	16053	" " " " " Set Screw
224112	16053	Hook Driving Shaft Connection Belt Pulley with 202253 and two 201254C
201254C	16053	Hook Driving Shaft Connection Belt Pulley Set Screw
202253	16053	Hook Driving Shaft Connection Belt Pulley Spring Flange
203251	16055	Hook Gib
201376F	16055	" " Hinge Screw
201253F	16055	" " Screw
264040	16057	" Post
264153	16057	" " 264040 with 200555H, 201272C, 221222, 224021, 234065, 234079, 249072, 264152, 264156, two each 200076D and 200900H
264154	16057	Hook Post 264153 with 221215, 264044, 264046, two 264048 and eight 200583H
264155	16057	Hook Post 264153 with 221215, 264045, 264047, two 264048 and eight 200583H
200159F	16056	Hook Post Clamping Screw (2)
264044	16057	" " Cover Plate (back) (inside)
264045	16057	" " " " " (outside)

No.	Plate	Name
264046	16057	Hook Post Cover Plate (front) (inside)
264047	16057	" " " " " (outside)
264048	16057	" " " " Gasket
200583H	16057	" " " " Screw
249072	16057	" " Oil Packing (wick)
200900H	16057	" " " " Screw
200008C	16057	" " Screw (4)
203637	16057	" " Washer (4)
221215	16057	" " Slide
264156	16057	" Socket
224021	16057	" " Gear with two 200382C
200382C	16057	" " Set Screw
200555H	16057	" " Screw
221222	16055	" Washer
264050	16062	Knee Lifter Connection Lever
200262H	16062	" " " " Hinge Screw
264051	16062	" " " " Lifting Rod
		with 202302
202302	16062	Knee Lifter Connection Lever Lifting Rod Cotter Pin
240175	16062	Knee Lifter Lifting Lever
200262H	16062	" " " " Hinge Screw
240205	16060	Lifting Bell Crank
200996C	16060	" " " Cap Screw
240125	16058	" " " Link
350172C	16058	" " " " Screw Stud
201524E	16058	" " " " " Nut
240160	16058	" Eccentric with 200382C and 200398C
240126	16058	" " Connection
240171	16058	" " " Crank with 200029E and 248821
248821	16058	Lifting Eccentric Connection Crank Oil Packing (wick)
200029E	16058	Lifting Eccentric Connection Crank Pinch Screw
200398C	16058	Lifting Eccentric Position Screw
200382C	16058	" " Set Screw
237178	16060	" Presser Foot, for 237190, in gauges from 1/8 to 11/32 in., in steps of 1/32 inch
237179	16060	Lifting Presser Foot, for 237191, in gauges. from 3/8 to 3/4 in., in steps of 1/32 inch
200074F	16060	Lifting Presser Foot Screw
240136	16058	" Rock Shaft with 201524E and 350172C
240174	16058	Lifting Rock Shaft Bushing (2)

No.	Plate	Name
237181	16059	Needle Bar and Holder, in gauges from 1/8 to 5/8 in., in steps of 1/32 in., with two 200141F
237182	16059	Needle Bar and Holder, in gauges 21/32, 11/16, 23/32 and 3/4 in., with two 200141F
202552	16059	Needle Bar Connecting Link
264718	16059	" " " " Oil Guard
201183D	16059	" " " " " " Screw
202333	16059	" " " " Stud with
		202254
202254	16059	Needle Bar Connecting Link Stud Oil Packing (wick)
200374C	16059	Needle Bar Connecting Link Stud Set Screw
200383C	16059	Needle Bar Connecting Link Stud Set Screw
208552	16059	Needle Bar Connecting Stud with 200086C and 202330
202330	16059	Needle Bar Connecting Stud Oil Packing (wick)
200086C	16059	Needle Bar Connecting Stud Pinch Screw
202692	16059	" " Crank with 200335C, 200374C, 200383C, 200428C and 202333
237194	16059	Needle Bar Crank 202692 with 202399, 202400, 202552, 208552 and 234144
203172	16059	Needle Bar Crank Friction Washer
200428C	16059	" " " " Position Screw
200335C	16059	" " " " Set Screw
240138	16059	" " Rock Frame
210910	16059	" " " " Hinge Stud with
		202277
202277	16059	Needle Bar Rock Frame Hinge Stud Oil Packing (wick)
200347C	16059	Needle Bar Rock Frame Hinge Stud Set Screw
202666	16059	Needle Bar Rock Frame Position Bracket
200098F	16059	" " " " " " " " Screw
223690	16058	Needle Bar Rock Frame Rock Shaft
223691	16058	" " " " " " " " 223690
		with 200387C and 210920
264112	16058	Needle Bar Rock Frame Rock Shaft Crank with 200029E
264052	16052	Needle Bar Rock Frame Rock Shaft Crank Connection with 202277
200833C	16052	Needle Bar Rock Frame Rock Shaft Crank Connection Hinge Screw

No.	Plate	Name
201522E	16052	Needle Bar Rock Frame Rock Shaft Crank Connection Hinge Screw Nut
202277	16052	Needle Bar Rock Frame Rock Shaft Crank Connection Oil Packing (wick)
200029E	16058	Needle Bar Rock Frame Rock Shaft Crank Pinch Screw
202668	16058	Needle Bar Rock Frame Slide Block
210920	16058	" " " " " " 202668 with 201141C
201141C	16058	Needle Bar Rock Frame Slide Block Screw Stud
200387C	16058	Needle Bar Rock Frame Slide Block Screw Stud Set Screw
200141F	16059	Needle Set Screw
208566	16060	Presser Bar with 200074F
235871	16060	" " Bushing (lower)
207072	16060	" " " (upper)
200352C	16060	" " " Set Screw (2)
202554	16060	" " Lifter
200653C	16060	" " " Hinge Screw
208555	16060	" " Lifting Bracket with 200054E
200975F	16060	" " " " Guide Screw
200054E	16060	" " " " Pinch Screw
202337	16060	" " Position Guide
202338	16060	" " " " Lever with 200086F
200086F	16060	Presser Bar Position Guide Lever Pinch Screw
200352C	16060	Presser Bar Position Guide Set Screw
240172	16062	" " Spring (flat) (heavy)
210949	16060	" " " Bracket with 200086C
200086C	16060	" " " " Pinch Screw
201410F	16062	" " " Regulating Screw
200948F	16062	" " " Support Screw
234144	16059	Take-up Lever
202399	16059	" " Driving Stud with 202277
202277	16059	" " " " Oil Packing (wick)
202400	16059	Take-up Lever Hinge Stud with 202423
202423	16059	" " " " Oil Packing (wick)
200383C	16059	Take-up Lever Hinge Stud Set Screw
223702	16061	Tension Bracket with two each 201224B and 236060
200159F	16061	Tension Bracket Screw
248217	16061	Tension Bracket complete, Nos. 200978H, 201199F, 223702, 223703, 223706, 237174, two each 200309E, 204271, 223438, 223704 three 201572B and four 244048

No.	Plate	Name
244048	16061	Tension Disc
236060	16061	" " Position Pin
223703	16061	" Release Lever
235576	16060	" " " Rod
200309E	16061	" " " Screw
223704	16061	" " Plunger
240141	16060	" " Slide
240142	16060	" " " Spring
204271	16061	" " Washer
223438	16061	" Spring
201224B	16061	" Stud
201572B	16061	" Thumb Nut
223706	16061	Thread Controller Disc
200978H	16061	" " " Screw
237174	16061	" " Spring
241360	16061	" " " Stop
200132E	16061	" " " Screw
201199F	16061	" " Stud with 204925
200061C	16061	" " " Set Screw
201572B	16061	" " " Thumb Nut
204925	16061	" " " Washer
224028	16051	" Guide
224040	16061	" "
210955	16061	" " (upper)
200582H	16061	" " Screw (3)
241755	16062	" Lubricator Oil Pad (felt)
237845	16062	" " " " Holder
240439	16062	" " " " Retainer
241758	16062	" " " Reservoir
241759	16062	" " " Wick
350432XC	16062	" " Screw
201650H	16062	" " " Nut
214838	16062	" " " Washer
237846	16062	Thread Lubricator complete, Nos. 214838, 237845, 240439, 241755, 241758 and 241759
240034	16061	Thread Retainer (2)
200366H	16061	" " Set Screw (2)
264103	16056	Throat Plate, for 264012 and 264013, in gauges 3/32, 1/8 and 5/32 inch
264101	16056	Throat Plate, for 264010, in gauges 3/16 and 7/32 inch
264102	16056	Throat Plate, for 264011, in gauges from 1/4 to 13/32 in., in steps of 1/32 inch
200577XC	16056	Throat Plate Screw (2)
240183	16060	Vibrating Presser Bar
240184	16060	" " " Connecting Link
240185	16060	" " " Extension with 204264 and 240186

No.	Plate	Name
240186	16060	Vibrating Presser Bar Extension Collar
204264	16060	" " " " " Pin
202277	16060	" " " Oil Packing (wick)
240188	16060	" " " Spring
350299C	16060	" " " Thumb Screw (pressure regulating)
237190	16060	Vibrating Presser Foot, 40 needle hole, in gauges from 1/8 to 11/32 in., in steps of 1/32 in., with 200086F, for 237178
237191	16060	Vibrating Presser Foot, 40 needle hole, in gauges from 3/8 to 3/4 in., in steps of 1/32 in., with 200086F, for 237179
200086F	16060	Vibrating Presser Foot Pinch Screw

SINGER Needles should be used
in **SINGER** Machines
These Needles and their Containers
are marked with the
Company's Trade Mark "SIMANCO.***" 1

Needles in Containers marked
"FOR SINGER MACHINES"
are NOT **SINGER** made needles. 2

ACCESSORIES

No.	Plate	Name
203208	16055	Bobbins (10)
*225482	-----	Bobbin Case Screw Driver Blade
*225483	-----	" " " " Handle
225497	16063	Bobbin Case Screw Driver complete, Nos. 225482 and 225483
126 x 10	16059	Needles, four each, sizes 18, 20 and 23
224121	16644	Drip Pan, 20 in. long with four 1 in. wire nails
41400	16063	Machine Rest Pin (wood)
120342	16063	Oiler (copper plated) with 120343
120343	16063	" Spout, 3-1/2 in. long
11831	16063	Screw Driver (5 in. blade) (machine, large)
225498	16063	" " (7-1/4 in. long)
225554	16063	Wrench (steel)

BOBBIN WINDER

(SWINGING AUTOMATIC, RIGHT HAND)

259428	16615	Brake (leather)
259429	16615	" Clamp
200113F	16615	" " Screw
225453	16615	Frame with 202277 and 225438
225454	16615	" Hinge Pin
202277	16615	" Oil Packing (wick)
225438	16615	" " Well Cap
225455	16615	" Spring
225456	16615	" " Plunger
225368	16615	Pulley with 200680C
200680C	16615	" Set Screw
225381	16615	Spindle
225444	16615	Stop Latch
200056E	16615	" " Screw
225458	16615	" " Thumb Lever
225459	16615	" " " " Hinge Stud
225459	16615	" " " " Joint Stud
202478	16615	" " Trip Lever
200299H	16615	" " " " Hinge Screw
225461	16615	Tension Bracket with 201499B
200082D	16615	" " Screw

ACCESSORIES

No.	Plate	Name
228026	16615	Tension Bracket Screw Washer
2102	16615	" Disc
13710	16615	" Spring
201499B	16615	" Stud
201572B	16615	" " Thumb Nut
225462	16615	Bobbin Winder Tension Bracket complete, Nos.13710,201572B,225461 and two 2102
259430	16615	Bobbin Winder and Tension Bracket Base
259431	16615	Universal Bobbin Winder complete,Nos. 200056E,200082D,200113F,200299H,202478 225368,225381,225444,225453 to 225456, 225458,225462,228026,259428 to 259430, two each 225459 and wood screws 3/4 in. No.12,R.H.B.

KNEE LIFTER

228359	16643	Rock Lever with two 350231C
228360	16643	" " Bracket with 200347C and three wood screws 7/8 in.,No.12
228361	16643	Rock Lever Bracket 228360 with 228359, 228363,228367 and 228386
228362	16643	Rock Lever Extension with 200529C
350231C	16643	" " " Set Screw
228363	16643	" " Hinge Pin
228364	16643	" " Knee Plate with 350231C
228369	16643	" " " " Arm
350231C	16643	" " " " " Set Screw
350231C	16643	" " " " " Set Screw
228365	16643	" " Rod
200529C	16643	" " " Set Screw
228386	16643	" " Spring
228367	16643	" " Stop Stud
200347C	16643	" " " " " Set Screw
228368	16643	Knee Lifter complete,Nos.228361,228362, 228364,228365 and 228369

(Other Knee Lifter parts are listed with parts
of machine head.)

THREAD UNWINDER

No.	Plate	Name
225259	16257	Spool Rest (for one spool) (flat) with 201018C
225257	16257	Spool Rest (for two spools) (flat) with 201018C
150203	16257	Spool Rest Cushion (felt)
225388	16257	" " Rod
200383C	16257	" " " Set Screw
201018C	16257	" " " Set Screw
202490	16257	" Stand with 200383C
225391	16257	Thread Guide
201696J	16257	" " Lock Nut
225326	16257	" " Position Cup
225324	16257	" " Rod with 208E and 225322
208E	16257	" " " Screw
225322	16257	" " " Washer
259143	16257	Thread Unwinder (for three spools) complete, Nos. 201696J, 202490, 225257, 225259, 225324, 225326, 225388, three each 150203, 225391 and wood screws 7/8 in., No. 12

WORK PLATE

264116	16064	Work Plate with two 200347C
200019E	16064	" " " Arm Screw
202622	16064	" " " " Washer
200347C	16064	" " " Set Screw
213860	16064	" " " Slide (back or front)
264117	16064	Work Plate complete, Nos. 200019E, 202622, 264116 and two 213860

WOOD BASE

227493	16064	Machine Hinge Plate 202259 with two wood screws 7/8 in., No. 12H
225589	16064	Machine Rest or Cushion (leather)
228307	16064	Base Wood with two 227493, four 225589 and nine wood screws 1-1/2 in., No. 7

MISCELLANEOUS PARTS

No.	Plate	Name
60913	16257	Spool Weight with 60914
60914	16257	" " Center Pin
225377	16257	" Wire (for small spools)
27739	16257	Thread Cone (wood)
225390	16257	" " Holder

SINGER Needles should be used
in **SINGER** Machines
These Needles and their Containers
are marked with the
Company's Trade Mark "SIMANCO.**" 1

Needles in Containers marked
"FOR SINGER MACHINES"
are NOT **SINGER** made needles. 2

NUMERICAL LIST OF PARTS

No.	Plate	Name
208E	16257	Thread Unwinder Thread Guide Rod Screw, for 225324
2102	16615	Bobbin Winder Tension Disc, for 225462
11831	16063	Screw Driver (5 in. blade) (machine, large)
13710	16615	Bobbin Winder Tension Spring, for 225462
27739	16257	Thread Cone (wood)
41400	16063	Machine Rest Pin (wood)
54897	16053	Bed Oil Cup, for 264005
60913	16257	Spool Weight with 60914
60914	16257	" " Center Pin, for 60913
120342	16063	Oiler (copper plated), with 120343
120343	16063	" Spout, 3-1/2 in. long, for 120342
150203	16257	Thread Unwinder Spool Rest Cushion (felt) for 259143
200004E	16062	Arm Base Screw
200004E	16062	" Screw
200008C	16057	Hook Post Screw
200019E	16054	Feed Driving Rock Shaft Crank Pinch Screw, for 223652
200019E	16064	Work Plate Arm Screw, for 264117
200024C	16056	Feed Dog Lever Post Screw
200029E	16058	Needle Bar Rock Frame Rock Shaft Crank Pinch Screw, for 264112
200029E	16058	Lifting Eccentric Connection Crank Pinch Screw, for 240171
200040C	16054	Feed Lifting Cam Fork Screw, for 264007
200049D	16052	" Driving Connection Pinch Screw, for 264008
200054E	16060	Presser Bar Lifting Bracket Pinch Screw, for 208555
200056E	16615	Bobbin Winder Stop Latch Screw, for 259431
200061C	16061	Thread Controller Stud Set Screw
200074F	16060	Lifting Presser Foot Screw, for 208566
200076D	16057	Bobbin Case Lever Driving Block Screw, for 264153
200082D	16615	Bobbin Winder Tension Bracket Screw, for 259431
200086C	16059	Needle Bar Connecting Stud Pinch Screw, for 208552
200086F	16060	Presser Bar Position Guide Lever Pinch Screw, for 202338
200086C	16060	Presser Bar Spring Bracket Pinch Screw, for 210949

NUMERICAL LIST OF PARTS

No.	Plate	Name
200086F	16060	Vibrating Presser Foot Pinch Screw,for 237190 and 237191
200096D	16053	Bed Oil Guard Screw
200098E	16056	Feed Dog Lever Retainer Washer Screw,for 264033
200098E	16056	Feed Dog Screw
200098F	16059	Needle Bar Rock Frame Position Bracket Screw
200113F	16053	Arm Shaft Connection Belt Timing Collar Set Screw,for 224113
200113F	16615	Bobbin Winder Brake Clamp Screw,for 259431
200132E	16056	Feed Dog Lever Post Oil Guard Screw
200132E	16061	Thread Controller Spring Stop Screw
200141F	16059	Needle Set Screw,for 237181 and 237182
200159F	16056	Hook Post Clamping Screw
200159F	16061	Tension Bracket Screw
200164B	16053	Arm Shaft Connection Belt Timing Plate Screw
200173D	16054	Feed Lifting Cam Oiling Felt Screw,for 224052
200256C	16052	Feed Driving Eccentric Regulating Bracket Hinge Screw,for 224107
200256C	16052	Feed Driving Eccentric Regulating Bracket Stop Screw,for 224107
200262H	16062	Knee Lifter Connection Lever Hinge Screw
200262H	16062	" " Lifting Lever Hinge Screw
200263D	16056	Feed Dog Lever Hinge Screw
200278H	16051	Arm Cap Screw
200299H	16615	Bobbin Winder Stop Latch Trip Lever Hinge Screw,for 259431
200309E	16061	Tension Release Lever Screw,for 248217
200327C	16052	Arm Shaft Connection Belt Pulley Set Screw,for 224104
200327C	16053	Hook Driving Shaft Bushing (back) Set Screw
200327C	16053	Hook Driving Shaft Bushing (front) Set Screw
200335C	16053	Hook Driving Shaft Bushing (center) Set Screw
200335C	16059	Needle Bar Crank Set Screw,for 202692
200338C	16051	Arm Shaft Bushing (back) Set Screw
200338C	16051	" " " (front) Set Screw
200338C	16051	Balance Wheel Set Screw,for 237577
200347C	16643	Knee Lifter Rock Lever Stop Stud Set Screw,for 228360
200347C	16059	Needle Bar Rock Frame Hinge Stud Set Screw

NUMERICAL LIST OF PARTS

21

No.	Plate	Name
200347C	16064	Work Plate Set Screw,for 264116
200352C	16060	Presser Bar Bushing Set Screw
200352C	16060	" " Position Guide Set Screw
200362C	16053	Hook Driving Gear Set Screw,for 223867
200366H	16061	Thread Retainer Set Screw
200374C	16059	Needle Bar Connecting Link Stud Set Screw,for 202692
200380C	16615	Bobbin Winder Pulley Set Screw,for 225368
200382C	16057	Hook Socket Gear Set Screw,for 224021
200382C	16058	Lifting Eccentric Set Screw,for 240160
200383C	16052	Feed Driving Eccentric Regulating Bracket Flange Set Screw,for 224108
200383C	16052	Feed Driving Eccentric Regulating Screw Check Screw
200383C	16054	Feed Driving Rock Shaft Stop Collar Set Screw,for 202625
200383C	16059	Needle Bar Connecting Link Stud Set Screw,for 202692
200383C	16059	Take-up Lever Hinge Stud Set Screw
200383C	16257	Thread Unwinder Spool Rest Rod Set Screw for 202490
200387C	16058	Needle Bar Rock Frame Slide Block Screw Stud Set Screw,for 223691
200398C	16058	Lifting Eccentric Position Screw,for 240160
200428C	16059	Needle Bar Crank Position Screw,for 202692
200429C	16052	Feed Driving Eccentric Regulating Screw
200437C	16052	" " " " Bracket Flange Position Screw,for 224108
200473B	16062	Face Plate Thumb Screw
200502B	16051	Arm Shaft Bushing (front) Oil Packing Thumb Screw
200529C	16643	Knee Lifter Rock Lever Rod Set Screw,for 228362
200555H	16057	Hook Socket Screw,for 264153
200570E	16052	Bed Hinge Connection Screw
200577XC	16056	Throat Plate Screw
200582H	16061	Thread Guide Screw
200583H	16057	Hook Post Cover Plate Screw,for 264154 and 264155
200594C	16055	Bobbin Case Tension Spring Screw,for 241676
200602E	16052	Arm Shaft Connection Belt Pulley Posi- tion Screw,for 224104
200607C	16052	Feed Driving Eccentric Regulating Bracket Plunger Spring Stop Screw

NUMERICAL LIST OF PARTS

No.	Plate	Name
200653C	16060	Presser Bar Lifter Hinge Screw
200833C	16052	Needle Bar Rock Frame Rock Shaft Crank Connection Hinge Screw
200900H	16057	Hook Post Oil Packing (wick) Screw,for 264153
200943F	16056	Feed Dog Lever Slide Block Hinge Screw, for 264033
200948F	16062	Presser Bar Spring Support Screw
200975F	16060	" " Lifting Bracket Guide Screw
200978H	16061	Thread Controller Disc Screw,for 248217
200984C	16055	Bobbin Case Tension Spring Regulating Screw,for 241676
200996C	16060	Lifting Bell Crank Cap Screw
201018C	16257	Thread Unwinder Spool Rest Set Screw,for 225257 and 225259
201141C	16058	Needle Bar Rock Frame Slide Block Screw Stud,for 210920
201171C	16052	Feed Driving Connection Hinge Screw
201183D	16059	Needle Bar Connecting Link Oil Guard Screw
201199F	16061	Thread Controller Stud with 204925,for 248217
201220C	16053	Feed Lifting Cam Set Screw,for 224154
201222C	16053	Hook Driving Gear Position Screw,for 223867
201224B	16061	Tension Stud,for 223702
201253F	16055	Hook Gib Screw,for 221216
201254C	16053	" Driving Shaft Connection Belt Pulley Set Screw,for 224112
201272C	16057	Bobbin Case Lever Hinge Screw,for 264153
201376F	16055	Hook Gib Hinge Screw,for 221216
201410F	16062	Presser Bar Spring Regulating Screw
201499B	16615	Bobbin Winder Tension Stud,for 225461
201517E	16052	Feed Driving Connection Hinge Screw Nut
201518E	16054	" Bar Hinge Screw Nut,for 264009
201522E	16052	Needle Bar Rock Frame Rock Shaft Crank Connection Hinge Screw Nut
201524E	16058	Lifting Bell Crank Link Screw Stud Nut, for 240136
201525E	16056	Feed Dog Lever Slide Block Hinge Screw Nut,for 264033
201525E	16052	Feed Driving Eccentric Regulating Bracket Hinge Screw Nut,for 224107
201525E	16052	Feed Driving Eccentric Regulating Bracket Stop Screw Nut,for 224107
201528D	16056	Feed Dog Lever Hinge Screw Nut
201572B	16615	Bobbin Winder Tension Stud Thumb Nut,for 225462

NUMERICAL LIST OF PARTS

23

No.	Plate	Name
201572B	16061	Tension Thumb Nut, for 248217
201572B	16061	Thread Controller Stud Thumb Nut, for 248217
201650H	16062	Thread Lubricator Screw Nut, for 240179
201696J	16257	" Unwinder Thread Guide Lock Nut, for 259143
202005	16062	Arm Base Screw Washer
202005	16062	" Screw Washer
*202056	-----	Bobbin Case Base Latch Pin, for 235769
202135	16062	Face Plate Position Pin, for 264150
202244	16051	Arm Shaft Bushing (back) Oil Packing (wick), for 240802
202244	16051	Arm Shaft Bushing (front) Oil Packing (wick), for 207080
202244	16053	Hook Driving Shaft Bushing (back) Oil Packing (wick), for 224111
202248	16051	Arm Cap Screw Washer
202253	16052	" Shaft Connection Belt Pulley Spring Flange, for 224104
202253	16053	Hook Driving Shaft Connection Belt Pulley Spring Flange, for 224112
202254	16059	Needle Bar Connecting Link Stud Oil Packing (wick), for 202333
202258	16052	Bed Hinge Connection
202277	16615	Bobbin Winder Frame Oil Packing (wick), for 225453
202277	16052	Feed Driving Connection Hinge Screw Oil Packing (wick)
202277	16052	Feed Driving Connection Oil Packing (wick), for 264008
202277	16059	Needle Bar Rock Frame Hinge Stud Oil Packing (wick), for 210910
202277	16052	Needle Bar Rock Frame Rock Shaft Crank Connection Oil Packing (wick), for 264052
202277	16059	Take-up Lever Driving Stud Oil Packing (wick), for 202399
202277	16060	Vibrating Presser Bar Oil Packing (wick)
202300	16052	Feed Driving Eccentric Regulating Bracket for 224107
202302	16062	Knee Lifter Connection Lever Lifting Rod Cotter Pin, for 264051
*202311	-----	Feed Regulating Spindle Head, for 224122
202330	16059	Needle Bar Connecting Stud Oil Packing (wick), for 208552
202333	16059	Needle Bar Connecting Link Stud with 202254, for 202692
202337	16060	Presser Bar Position Guide

NUMERICAL LIST OF PARTS

No.	Plate	Name
202338	16060	Presser Bar Position Guide Lever with 200086F
202399	16059	Take-up Lever Driving Stud with 202277, for 237194
202400	16059	Take-up Lever Hinge Stud with 202423,for 237194
202423	16059	Take-up Lever Hinge Stud Oil Packing (wick),for 202400
202443	16051	Feed Regulating Spindle Head Pin,for 224122
202478	16615	Bobbin Winder Stop Latch Trip Lever,for 259431
202490	16257	Thread Unwinder Spool Stand with 200388C, for 259143
202552	16059	Needle Bar Connecting Link,for 237194
202554	16060	Presser Bar Lifter
202619	16051	Feed Regulating Spindle Head Position Pin,for 224122
202622	16064	Work Plate Arm Screw Washer,for 264117
202625	16054	Feed Driving Rock Shaft Stop Collar with two 200383C
202666	16059	Needle Bar Rock Frame Position Bracket
202668	16058	" " " " Slide Block,for 210920
202692	16059	Needle Bar Crank with 200335C,200374C, 200383C,200428C and 202333,for 237194
203172	16059	Needle Bar Crank Friction Washer
203208	16055	Bobbin Nos.203211 to 203213,for 235769
203211	16055	Bobbin Case Base Latch
203212	16055	" " " " Plunger
203213	16055	" " " " Spring
203216	16055	" " Washer (cloth),for 235769
203251	16055	Hook Gib,for 221216
203624	16056	Feed Dog Lever Retainer Washer,for 264033
203637	16056	" " " Post Screw Washer
203637	16057	Hook Post Screw Washer
204235	16062	Arm Base Position Pin
204235	16062	" Position Pin
204264	16060	Vibrating Presser Bar Extension Collar Pin,for 240185
204271	16061	Tension Release Washer,for 248217
204925	16061	Thread Controller Stud Washer,for 201199F
207072	16060	Presser Bar Bushing (upper)
207080	16051	Arm Shaft Bushing (front) with 202244
208552	16059	Needle Bar Connecting Stud with 200086C and 202330,for 237194

NUMERICAL LIST OF PARTS

25

No.	Plate	Name
208555	16060	Presser Bar Lifting Bracket with 200054E
208566	16060	" " with 200074F
210910	16059	Needle Bar Rock Frame Hinge Stud with 202277
210920	16058	Needle Bar Rock Frame Slide Block 202668 with 201141C, for 223691
210949	16060	Presser Bar Spring Bracket with 200086C
210955	16061	Thread Guide (upper)
213860	16064	Work Plate Slide (back or front), for 264117
214838	16062	Thread Lubricator Screw Washer, for 237846
*221214	-----	Hook (sewing), for 221216
221215	16057	" Post Slide, for 264154 and 264155
221216	16055	" 221214 with 201253F, 201376F and 203251, for 264152
221222	16055	Hook Washer, for 264153
223438	16061	Tension Spring, for 248217
223650	16054	Feed Driving Rock Shaft, for 264009
223652	16054	" " " " Crank with 200019E
223655	16054	" Lifting Cam Oiling Felt, for 224052
223690	16058	Needle Bar Rock Frame Rock Shaft, for 223691
223691	16058	Needle Bar Rock Frame Rock Shaft 223690 with 200387C and 210920 Nos. 223702 to 223704, for 248217
223702	16061	Tension Bracket with two each 201224B and 236060
223703	16061	Tension Release Lever
223704	16061	" " Plunger
223706	16061	Thread Controller Disc, for 248217
223814	16053	Bed Oil Guard Felt, for 264113
223867	16053	Hook Driving Gear (spiral) with 200362C and 201222C
224002	16051	Arm Cap
224021	16057	Hook Socket Gear with two 200382C, for 264153
224028	16051	Thread Guide
224040	16061	" "
224052	16054	Feed Lifting Cam Fork with 200173D and 223655, for 264007
224104	16052	Arm Shaft Connection Belt Pulley with 200327C, 200602E and two 202253
224107	16052	Feed Driving Eccentric Regulating Bracket 202300 with 224108, two each 200256C and 201525E
224108	16052	Feed Driving Eccentric Regulating Bracket Flange with 200383C and 200437C, for 224107

NUMERICAL LIST OF PARTS

No.	Plate	Name
224110	16053	Hook Driving Shaft
224111	16053	" " " " Bushing (back) with 202244
224112	16053	Hook Driving Shaft Connection Belt Pulley with 202253 and two 201254C
224113	16053	Arm Shaft Connection Belt Timing Collar with 200113F
224121	16644	Drip Pan, 20 in. long, with four 1 in. wire nails
224122	16051	Feed Regulating Spindle with 202311, 202443 and 202619
224139	16053	Arm Shaft Connection Belt Timing Plate
224154	16053	Feed Lifting Cam with 201220C
224392	16051	Arm Shaft Oil Packing (wick), for 264151
225257	16257	Thread Unwinder Spool Rest (for two spools) (flat) with 201018C, for 259143
225259	16257	Thread Unwinder Spool Rest (for one spool) (flat) with 201018C, for 259143
225322	16257	Thread Unwinder Thread Guide Rod Washer, for 225324
225324	16257	Thread Unwinder Thread Guide Rod with 208E and 225322, for 259143
225326	16257	Thread Unwinder Thread Guide Position Cup, for 259143
225368	16615	Bobbin Winder Pulley with 200380C, for 259431
225377	16257	Spool Wire (for small spools)
225381	16615	Bobbin Winder Spindle, for 259431
225388	16257	Thread Unwinder Spool Rest Rod, for 259143
225390	16257	" Cone Holder
225391	16257	" Unwinder Thread Guide, for 259143
225438	16615	Bobbin Winder Frame Oil Well Cap, for 225453
225444	16615	Bobbin Winder Stop Latch, for 259431 Nos. 225453 to 225456, for 259431
225453	16615	Bobbin Winder Frame with 202277 and 225438
225454	16615	Bobbin Winder Frame Hinge Pin
225455	16615	" " " Spring
225456	16615	" " " Plunger
225458	16615	" " Stop Latch Thumb Lever, for 259431
225459	16615	Bobbin Winder Stop Latch Thumb Lever Hinge Stud, for 259431
225459	16615	Bobbin Winder Stop Latch Thumb Lever Joint Stud, for 259431
225461	16615	Bobbin Winder Tension Bracket with 201499B, for 225462

NUMERICAL LIST OF PARTS

27

No.	Plate	Name
225462	16615	Bobbin Winder Tension Bracket complete, Nos.13710,201572B,225461 and two 2102, for 259431
*225482	-----	Bobbin Case Screw Driver Blade,for 225497
*225483	-----	" " " " Handle,for 225497
225497	16063	Bobbin Case Screw Driver complete,Nos. 225482 and 225483
225498	16063	Screw Driver (7-1/4 in.long)
225554	16063	Wrench (steel)
225589	16064	Machine Rest or Cushion (leather),for 228307
225837	16054	Feed Lifter Cam Fork Screw Washer,for 264007
227493	16064	Machine Hinge Plate 202259 with two wood screws 7/8 in.,No.12H,for 228307
228026	16615	Bobbin Winder Tension Bracket Screw Washer,for 259431
228307	16064	Base Wood with two 227493,four 225589 and nine wood screws 1-1/2 in.,No.7
228359	16643	Knee Lifter Rock Lever with two 350231C, for 228361
228360	16643	Knee Lifter Rock Lever Bracket with 200347C and three wood screws 7/8 in., No.12,for 228361
228361	16643	Knee Lifter Rock Lever Bracket 228360 with 228359,228363,228367 and 228366, for 228368
228362	16643	Knee Lifter Rock Lever Extension with 200529C,for 228368
228363	16643	Knee Lifter Rock Lever Hinge Pin,for 228361
228364	16643	Knee Lifter Rock Lever Knee Plate with 350231C,for 228368
228365	16643	Knee Lifter Rock Lever Rod,for 228368
228367	16643	" " " " Stop Stud,for 228361
228368	16643	Knee Lifter complete,Nos.228361,228362, 228364,228365 and 228369
228369	16643	Knee Lifter Rock Lever Knee Plate Arm,for 228368
228386	16643	Knee Lifter Rock Lever Spring,for 228361
234065	16057	Bobbin Case Lever Driving Block,for 264153
234079	16057	Bobbin Case Lever,for 264153
234144	16059	Take-up Lever,for 237194

NUMERICAL LIST OF PARTS

No.	Plate	Name
235576	16060	Tension Release Lever Rod
235769	16055	Bobbin Case Base with 202056,203211 to 203213 and 203216,for 241677
235771	16055	Bobbin Case Tension Spring,for 241676
235871	16060	Presser Bar Bushing (lower)
236060	16061	Tension Disc Position Pin,for 223702
237001	16052	Feed Driving Eccentric Regulating Bracket Plunger
237002	16052	Feed Driving Eccentric Regulating Bracket Plunger Spring
237174	16061	Thread Controller Spring,for 248217
237178	16060	Lifting Presser Foot,for 237190,in gauges from 1/8 to 11/32 in.,in steps of 1/32 inch
237179	16060	Lifting Presser Foot,for 237191,in gauges from 3/8 to 3/4 in.,in steps of 1/32 inch
237181	16059	Needle Bar and Holder,in gauges from 1/8 to 5/8 in.,in steps of 1/32 in.with two 200141F
237182	16059	Needle Bar and Holder,in gauges 21/32, 11/16,23/32 and 3/4 in.,with two 200141F
237190	16060	Vibrating Presser Foot,40 needle hole,in gauges from 1/8 to 11/32 in.in steps of 1/32 in.with 200086F,for 237178
237191	16060	Vibrating Presser Foot,40 needle hole,in gauges from 3/8 to 3/4 in.,in steps of 1/32 in. with 200086F,for 237179
237194	16059	Needle Bar Crank 202692 with 202399, 202400,202552,208552 and 234144
237577	16051	Balance Wheel (belt groove 4 in.diam.) with two 200338C
237845	16062	Thread Lubricator Oil Pad Holder,for 237846
237846	16062	Thread Lubricator complete,Nos.214838, 237845,240439,241755,241758 and 241759
240034	16061	Thread Retainer
240125	16058	Lifting Bell Crank Link
240126	16058	" Eccentric Connection
240136	16058	" Rock Shaft with 201524E and 350172C
240138	16059	Needle Bar Rock Frame
240141	16060	Tension Release Slide
240142	16060	" " " Spring
240160	16058	Lifting Eccentric with 200382C and 200398C

No.	Plate	Name
240171	16058	Lifting Eccentric Connection Crank with 200029E and 248821
240172	16062	Presser Bar Spring (flat) (heavy)
240174	16058	Lifting Rock Shaft Bushing
240175	16062	Knee Lifter Lifting Lever
240179	16062	Face Plate with 201650H and 350432XC
240183	16060	Vibrating Presser Bar
240184	16060	" " " Connecting Link
240185	16060	" " " Extension with 204264 and 240186
240186	16060	Vibrating Presser Bar Extension Collar, for 240185
240188	16060	Vibrating Presser Bar Spring
240205	16060	Lifting Bell Crank
240439	16062	Thread Lubricator Oil Pad Retainer, for 237846
240802	16051	Arm Shaft Bushing (back) with 202244
241360	16061	Thread Controller Spring Stop
241674	16055	Bobbin Case Oiling Felt, for 241676
241675	16055	" " " Retainer, for 241676
241676	16055	Bobbin Case Cap with 200594C, 200984C, 235771, 241674, 241675 and two 350405C for 241677
241677	16055	Bobbin Case complete, Nos. 235769 and 241676, for 264152
241755	16062	Thread Lubricator Oil Pad (felt), for 237846
241758	16062	Thread Lubricator Oil Reservoir, for 237846
241759	16062	Thread Lubricator Oil Wick, for 237846
244048	16061	Tension Disc, for 248217
248217	16061	Tension Bracket complete, Nos. 200978H, 201199F, 223702, 223703, 223706, 237174, two each 200309E, 204271, 223438, 223704, three 201572B and four 244048
248821	16058	Lifting Eccentric Connection Crank Oil Packing (wick), for 240171
249072	16057	Hook Post Oil Packing (wick), for 264153
259143	16257	Thread Utwinder (for three spools) com- plete, Nos. 201696J, 202490, 225257, 225259, 225324, 225326, 225388, three each 150203, 225391 and wood screws, 7/8 in., No. 12 Nos. 259428 to 259430, for 259431
259428	16615	Bobbin Winder Brake (leather)
259429	16615	" " " Clamp
259430	16615	" " and Tension Bracket Base

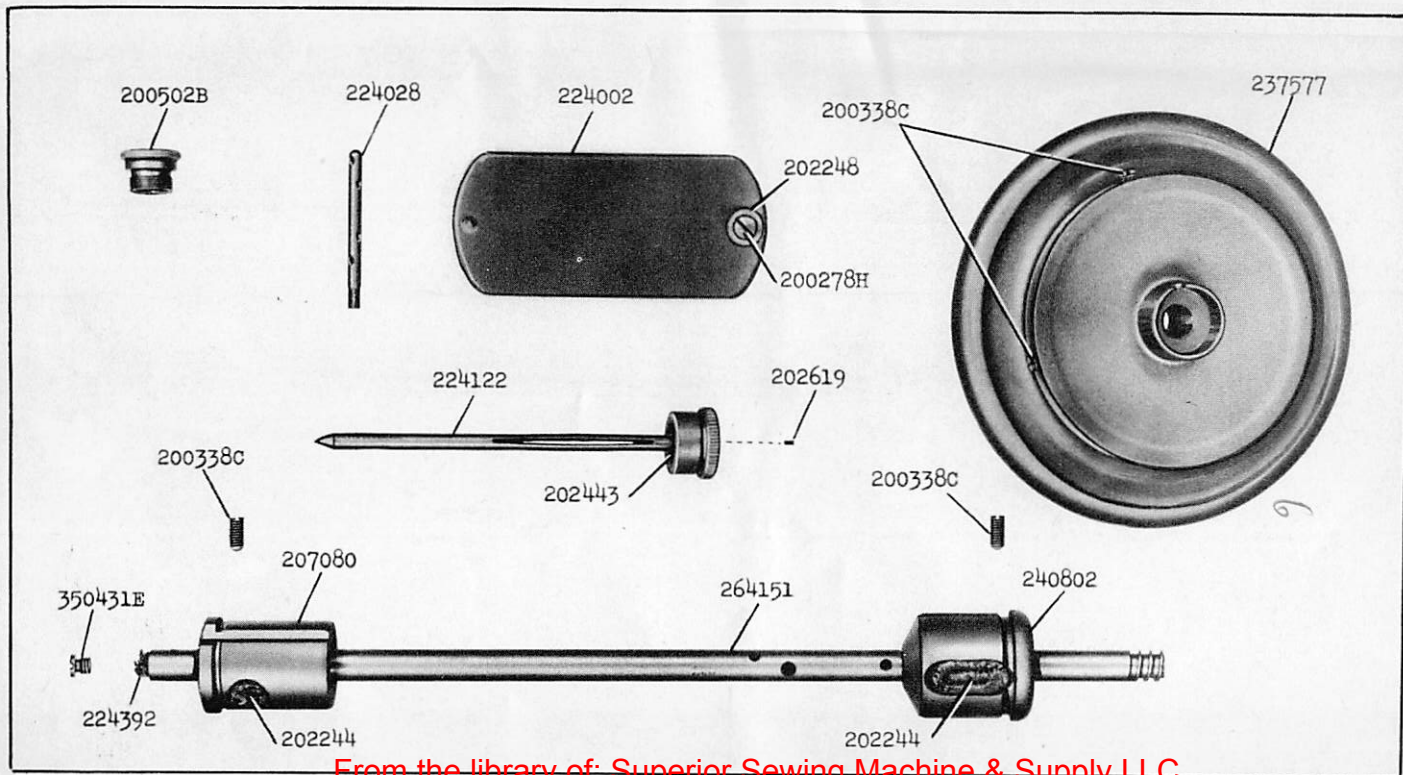
NUMERICAL LIST OF PARTS

No.	Plate	Name
259431	16615	Universal Bobbin Winder complete, Nos. 200056E, 200082D, 200113F, 200299H, 202476, 225368, 225381, 225444, 225453 to 225456, 225458, 225462, 228026, 259428 to 259430, two each 225459 and wood screws 3/4 in., No. 12, R.H.B.
264002	-----	Arm Base
264004	16052	" Shaft Connection Belt
*264005	-----	Bed with 54897
264006	16054	Feed Bar, for 264007
264007	16054	" " 264006 with 200040C, 224052 and 225837, for 264009
264008	16052	Feed Driving Connection with 200049D and 202277
264009	16054	Feed Driving Rock Shaft 223650 with 201518E, 264007 and 350393C
264010	16056	Feed Dog, 46 needle hole, for needle sizes 16 and 18, in gauges 3/16 and 7/32 in., for 264101
264011	16056	Feed Dog, 46 needle hole, for needle sizes 16 and 18, in gauges from 1/4 to 13/32 in., in steps of 1/32 in., for 264102
264012	16056	Feed Dog, 46 needle hole, for needle sizes 16 and 18, in gauges 1/8 and 5/32 in., for 264103
264013	16056	Feed Dog, 50 needle hole, for needle sizes 14 and 15, in 3/32 in. gauge, for 264103
264031	16056	Feed Dog Lever, for 264033
264032	16056	" " " Post, for 264033
264033	16056	" " " " 264032 with 200943F, 201525E, 203624, 264031, 264035 and two 200098E
264034	16056	Feed Dog Lever Post Oil Guard
264035	16056	" " " Slide Block, for 264033
264038	16053	Hook Driving Shaft Bushing (center)
264039	16053	" " " " (front)
264040	16057	" Post, for 264153
264044	16057	" " Cover Plate (back) (inside), for 264154
264045	16057	Hook Post Cover Plate (back) (outside), for 264155
264046	16057	Hook Post Cover Plate (front) (inside), for 264154
264047	16057	Hook Post Cover Plate (front) (outside), for 264155
264048	16057	Hook Post Cover Plate Gasket, for 264154 and 264155

No.	Plate	Name
264050	16062	Knee Lifter Connection Lever
264051	16062	" " " " Lifting Rod with 202302
264052	16052	Needle Bar Rock Frame Rock Shaft Crank Connection with 202277
264101	16056	Throat Plate,for 264010 in gauges 3/16 and 7/32 inch
264102	16056	Throat Plate,for 264011,in gauges from 1/4 to 13/32 in.,in steps of 1/32 inch
264103	16056	Throat Plate,for 264012 and 264013,in gauges 3/32,1/8 and 5/32 inch
264112	16058	Needle Bar Rock Frame Rock Shaft Crank with 200029E
264113	16053	Bed Oil Guard with 223814
264116	16064	Work Plate with two 200347C,for 264117
264117	16064	Work Plate complete,Nos.200019E,202622, 264116 and two 213860
*264150	-----	Arm with 202135
264151	16051	" Shaft with 224392 and 350431E
264152	16055	Hook and Bobbin Case complete,Nos.221216 and 241677,for 264153
264153	16057	Hook Post 264040 with 200555H,201272C, 221222,224021,234065,234079,249072, 264152,264156,two each 200076D and 200900H,for 264154 and 264155
264154	16057	Hook Post 264153 with 221215,264044, 264046,two 264048 and eight 200583H
264155	16057	Hook Post 264153 with 221215,264045, 264047,two 264048 and eight 200583H
264156	16057	Hook Socket,for 264153
264718	16059	Needle Bar Connecting Link Oil Guard
350172C	16058	Lifting Bell Crank Link Screw Stud,for 240136
350231C	16643	Knee Lifter Rock Lever Extension Set Screw,for 228359
350231C	16643	Knee Lifter Rock Lever Knee Plate Arm Set Screw,for 228359
350231C	16643	Knee Lifter Rock Lever Knee Plate Set Screw,for 228364
350299C	16060	Vibrating Presser Bar Thumb Screw (pressure regulating)
350393C	16054	Feed Bar Hinge Screw (driving),for 264009
350405C	16055	Bobbin Case Oiling Felt Retainer Screw, for 241676
350431E	16051	Arm Shaft Oil Packing Stop Screw,for 264151
350432XC	16062	Thread Lubricator Screw,for 240179

SINGER Needles should be used
in **SINGER** Machines
These Needles and their Containers
are marked with the
Company's Trade Mark "SIMANCO.**" 1

Needles in Containers marked
"FOR SINGER MACHINES"
are **NOT SINGER** made needles. 2

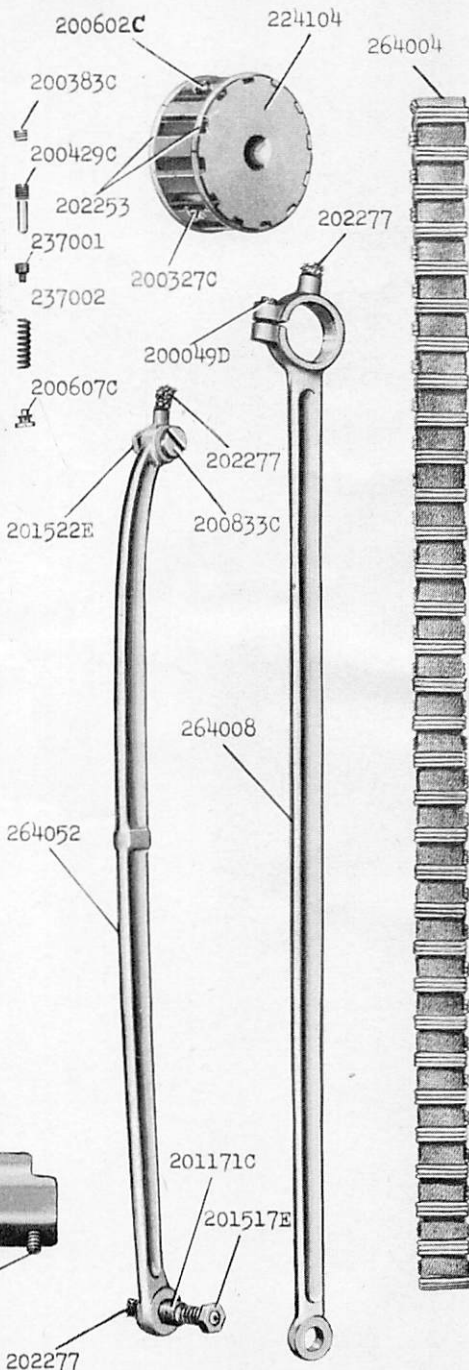
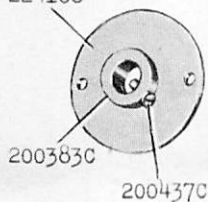
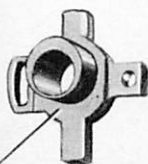
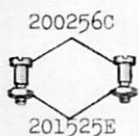


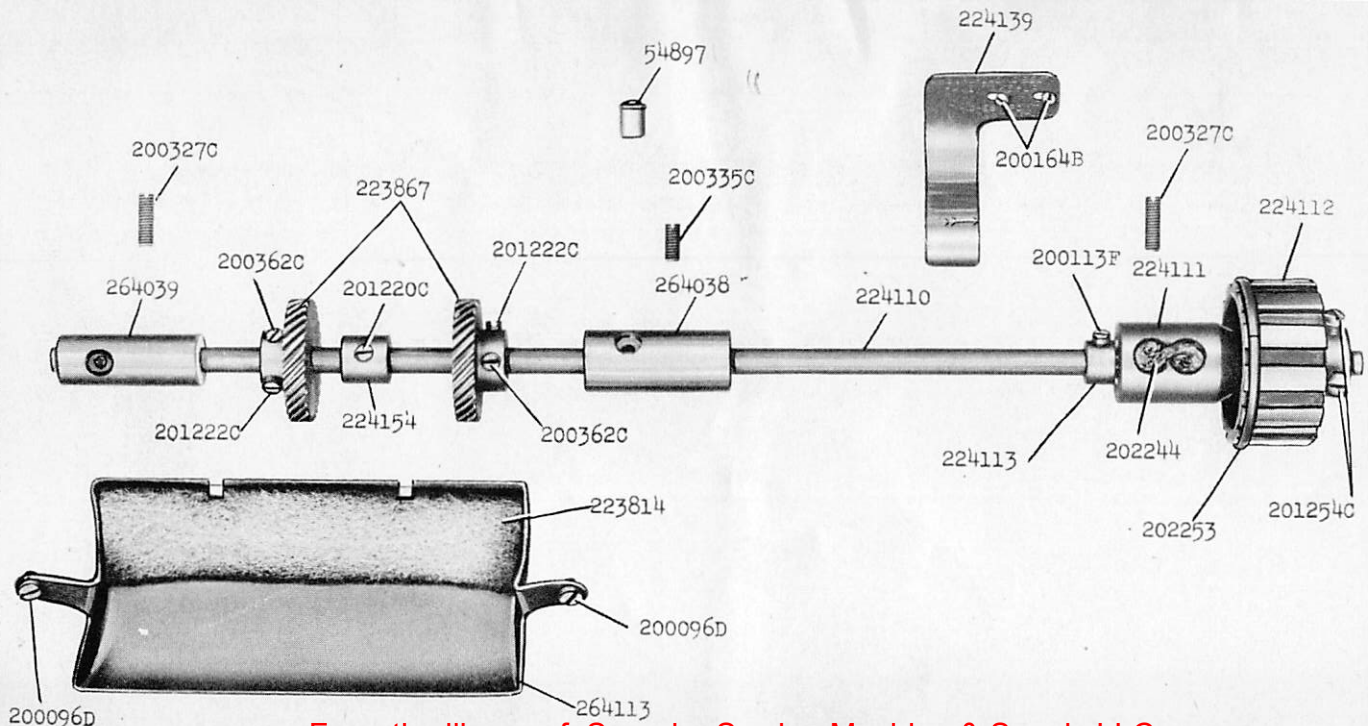
16051 - 1/3

From the library of: Superior Sewing Machine & Supply LLC

16052 - 1/3

224107





16053 - 3/8

From the library of: Superior Sewing Machine & Supply LLC

264009

264007

224052

225837

200040C

264006

223655

200173D

201518E

350393C

223650

200383C

202625

200383C

202625

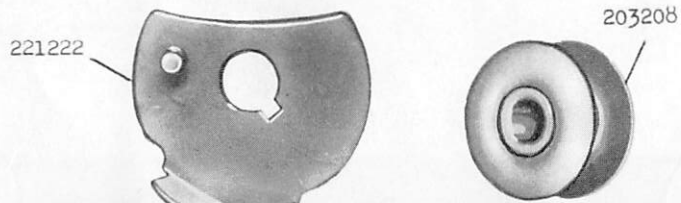
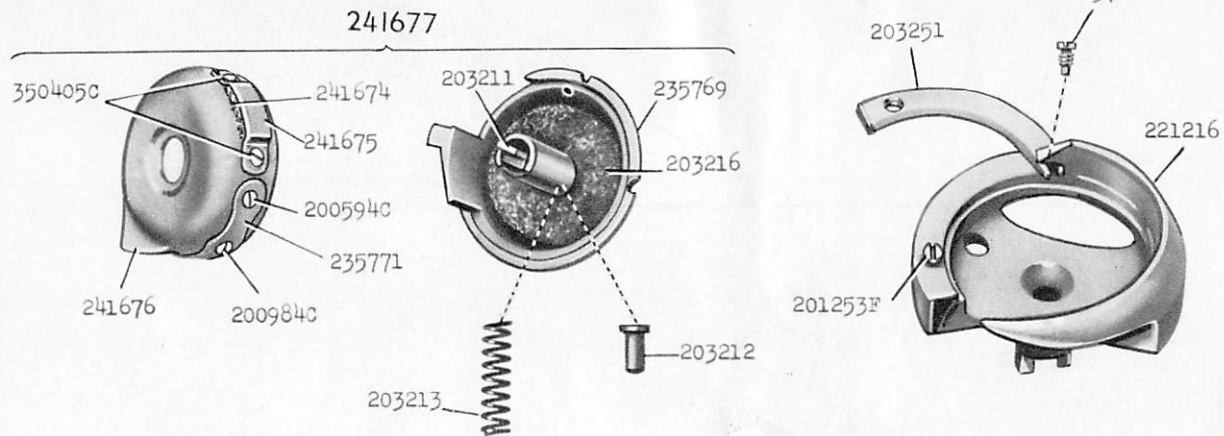
200019E

223652

16054 - 1/2

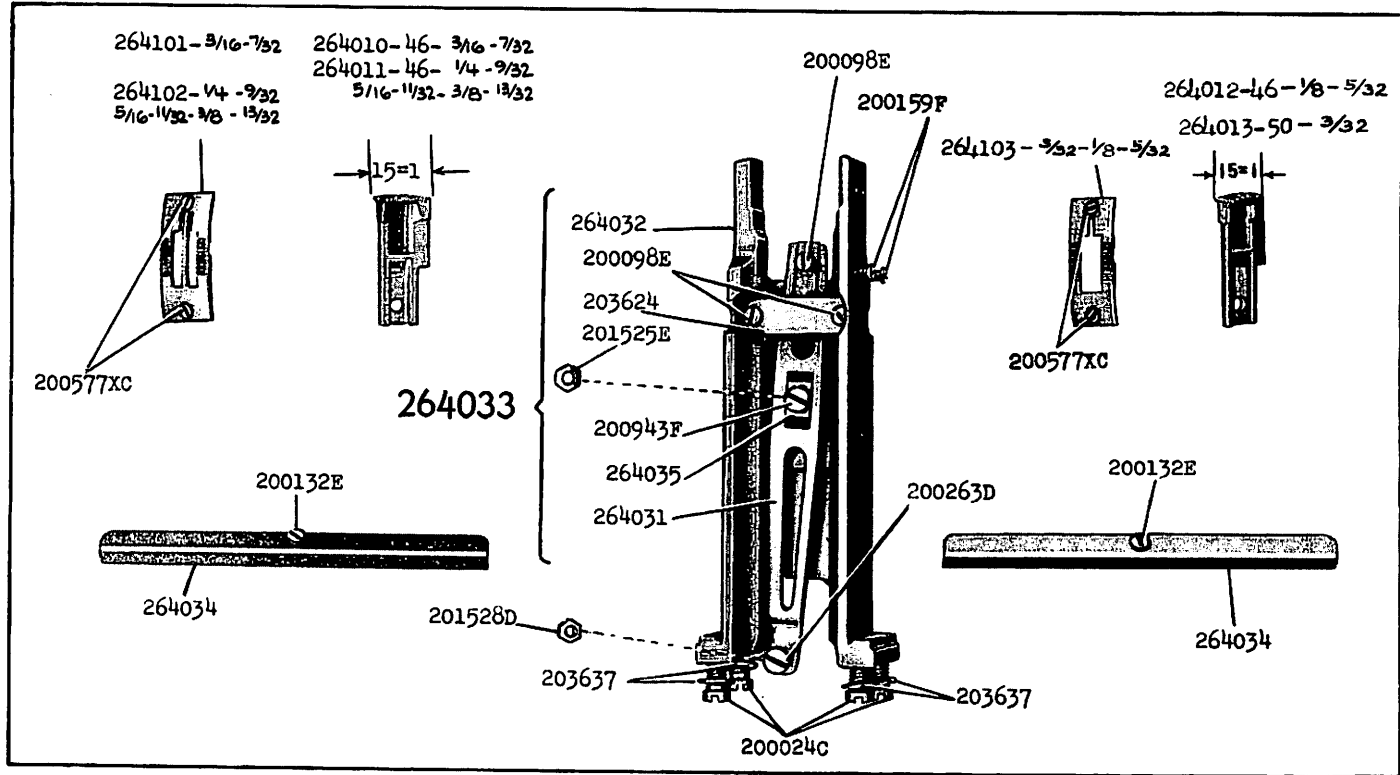
From the library of: Superior Sewing Machine & Supply LLC

264152



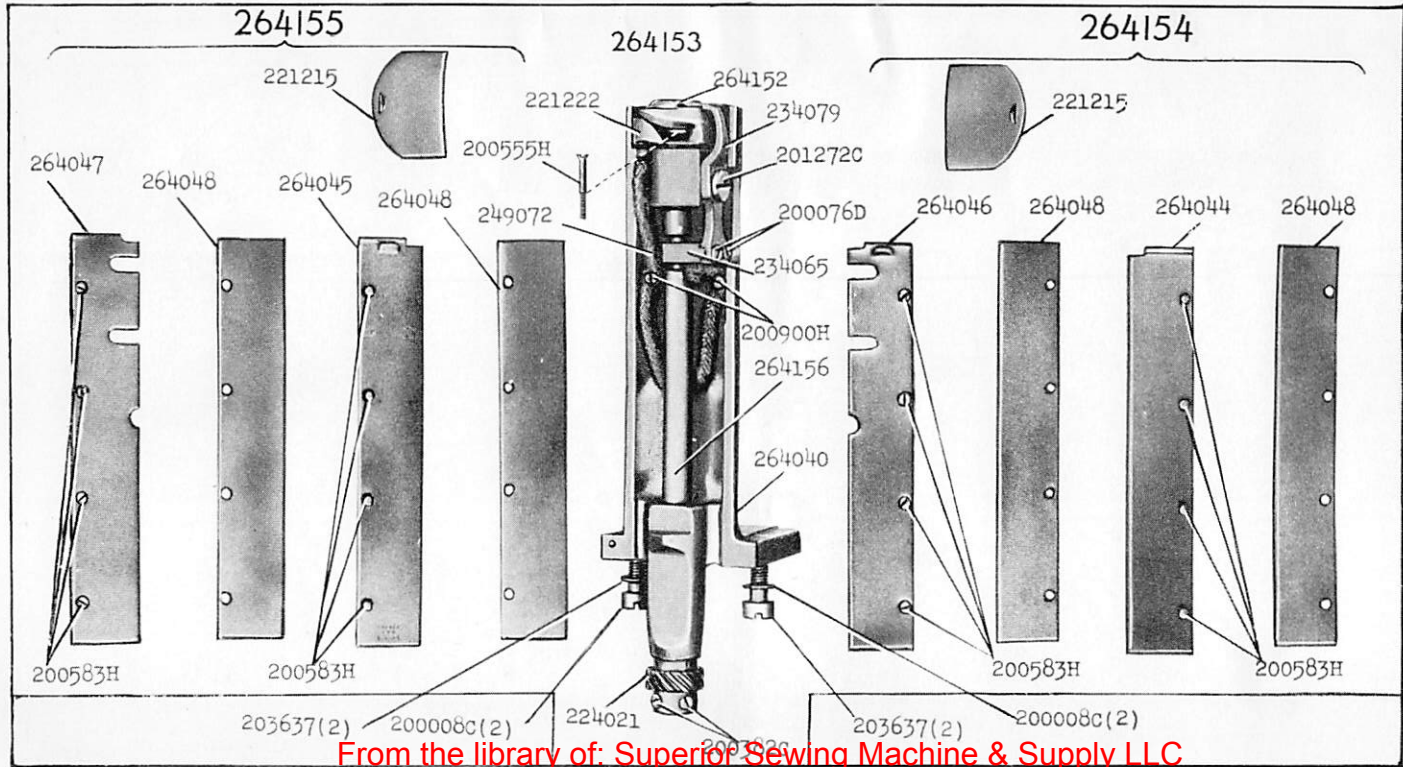
From the library of: Superior Sewing Machine & Supply LLC

16055



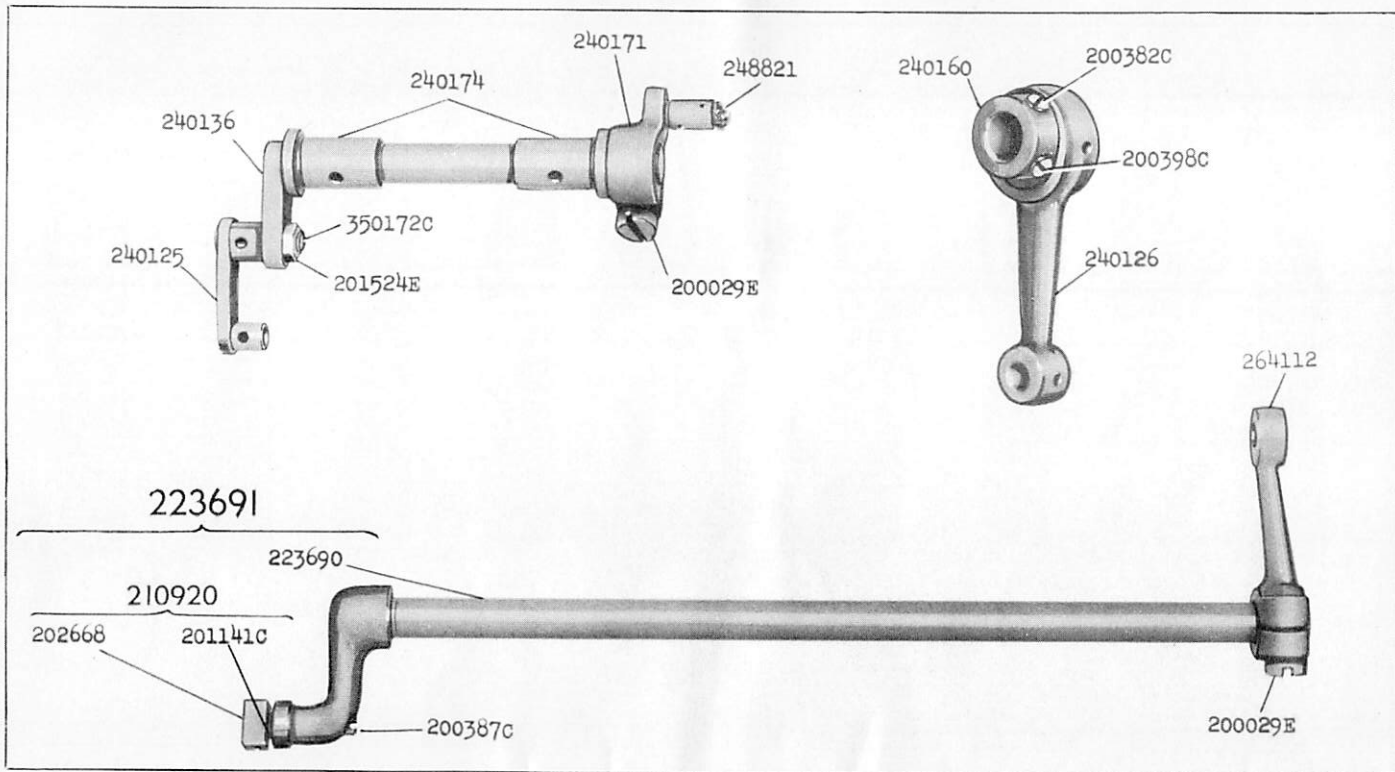
16056 - $\frac{3}{8}$

From the library of: Superior Sewing Machine & Supply LLC



16057 - 1/3

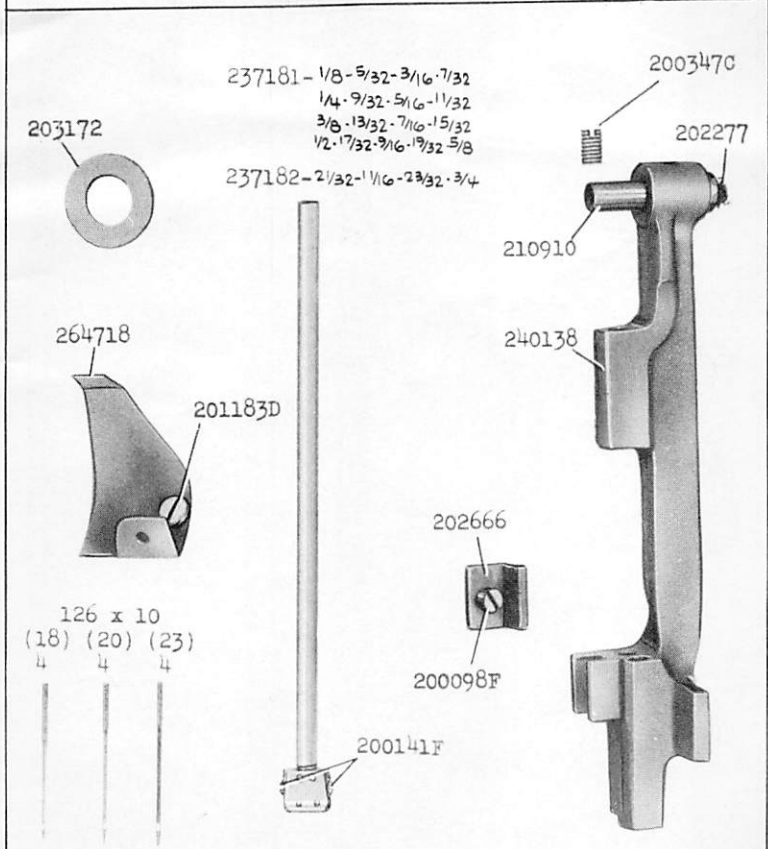
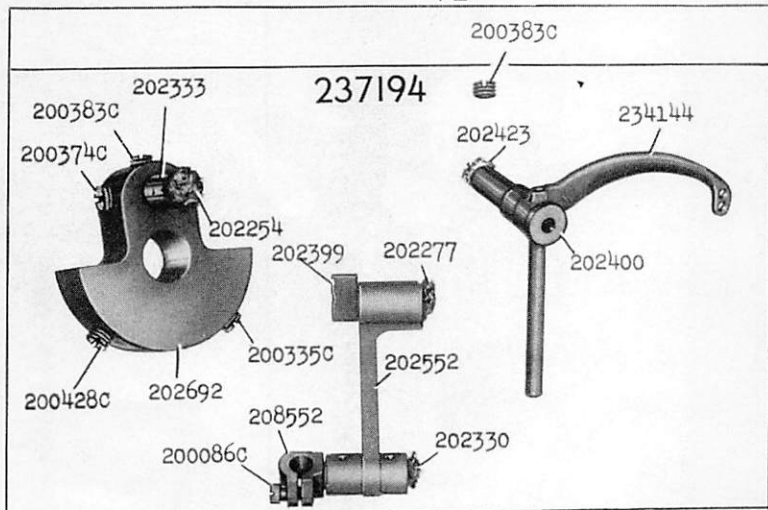
From the library of: Superior Sewing Machine & Supply LLC



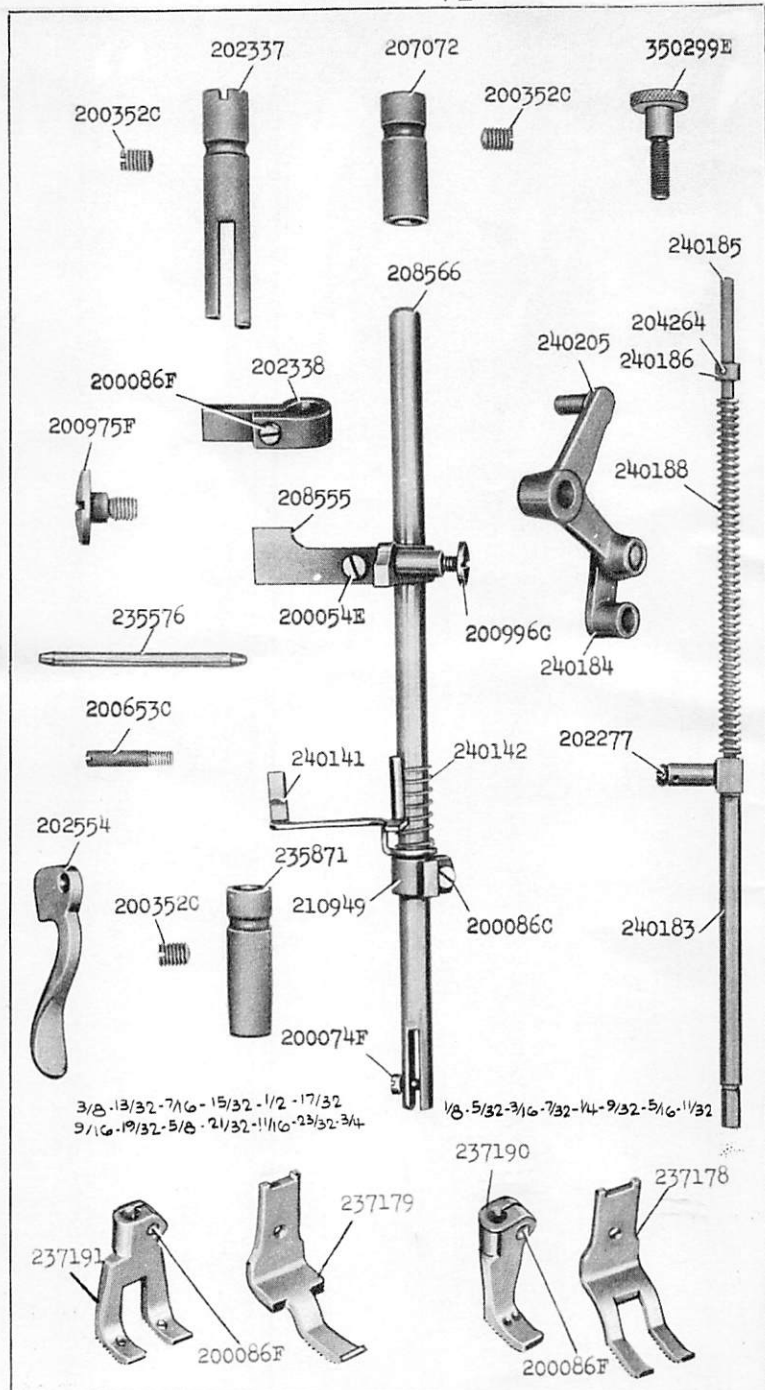
16058 - 1/2

From the library of: Superior Sewing Machine & Supply LLC

16059 - 1/2



16060 - 1/2



224040



200582H



210955

200366H



240034



200366H



200159F

248217

201572B



223438



204271



244048



201224B



223704

201572B



237174

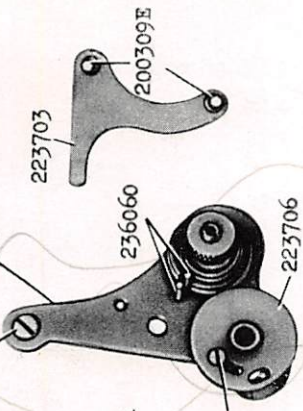


201199F



204925

223702



223703

236060

200976H

223706

200309E

200061C

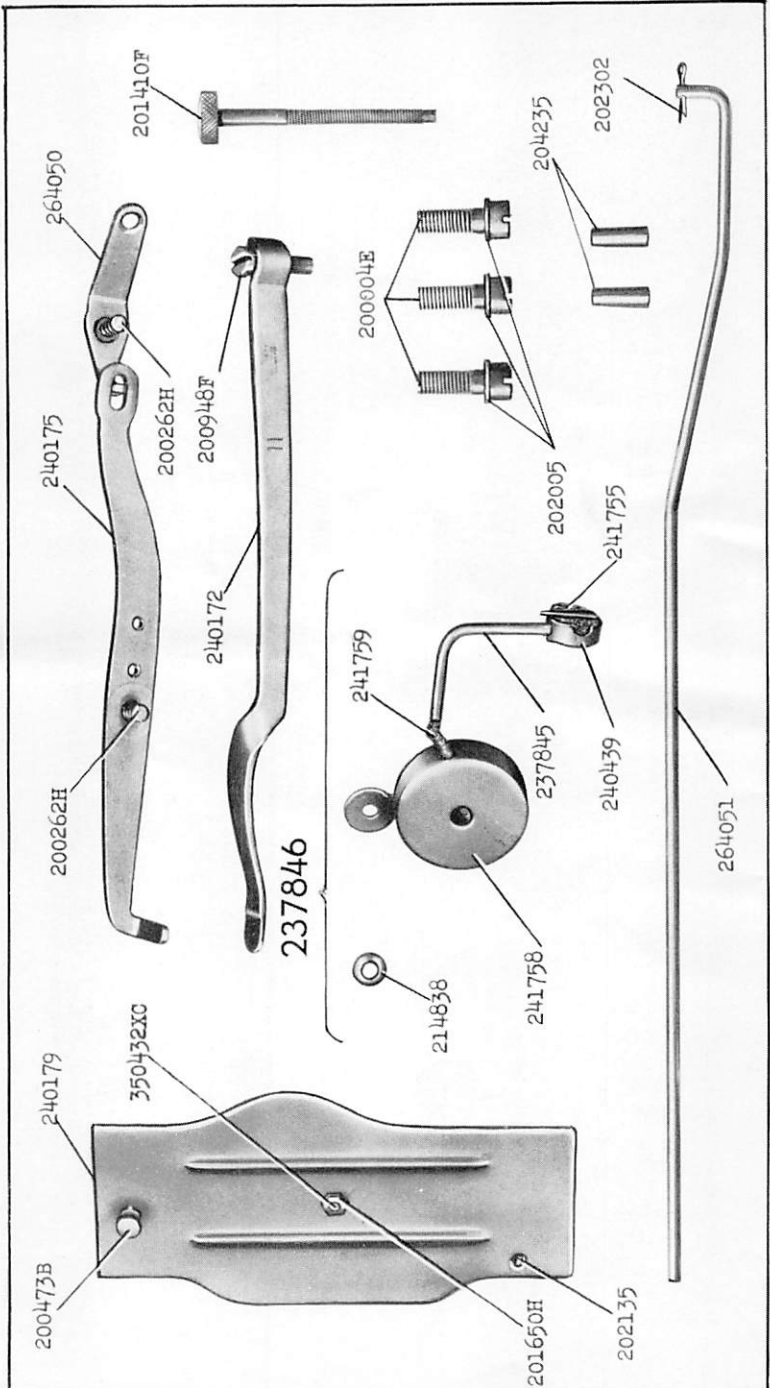


241360



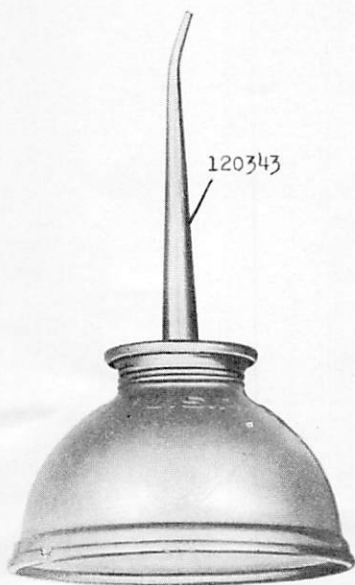
200132E





16063 - 1/2

120342



225498



11831



228476



41400

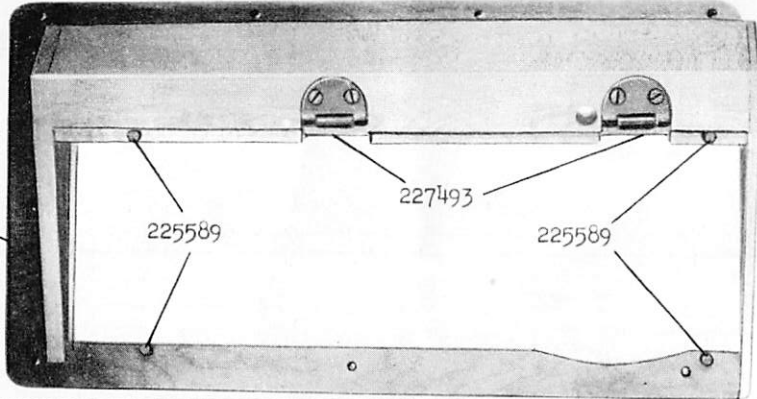


225554



16064 - 1/6

228358

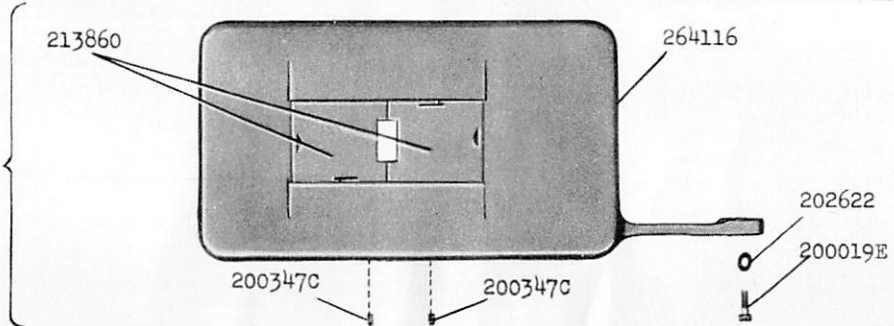


225589

227493

225589

264117



213860

264116

200347C

200347C

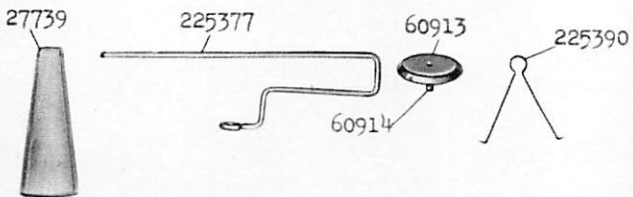
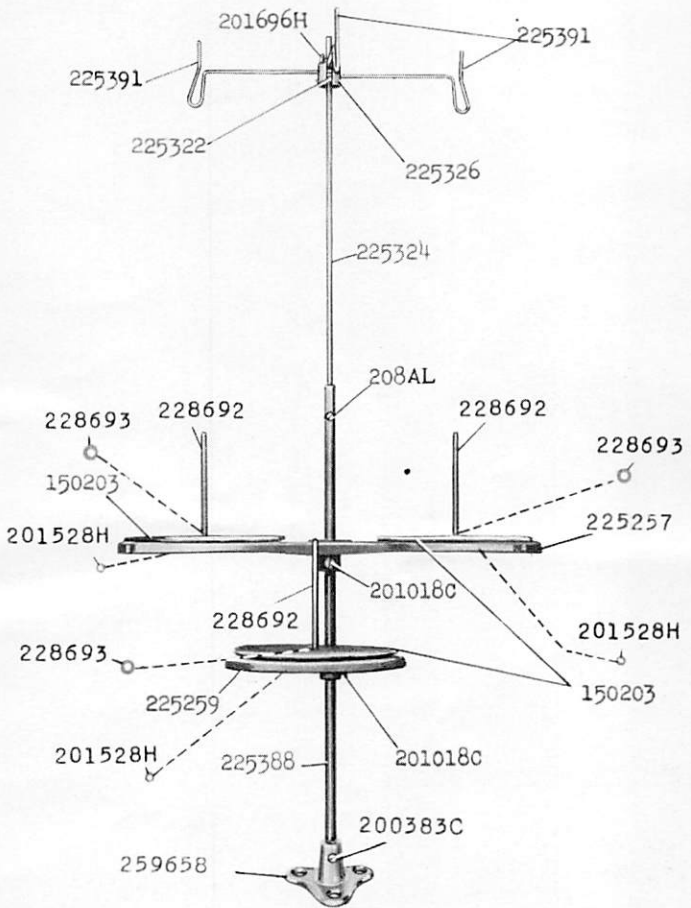
202622

200019E

From the library of: Superior Sewing Machine & Supply LLC

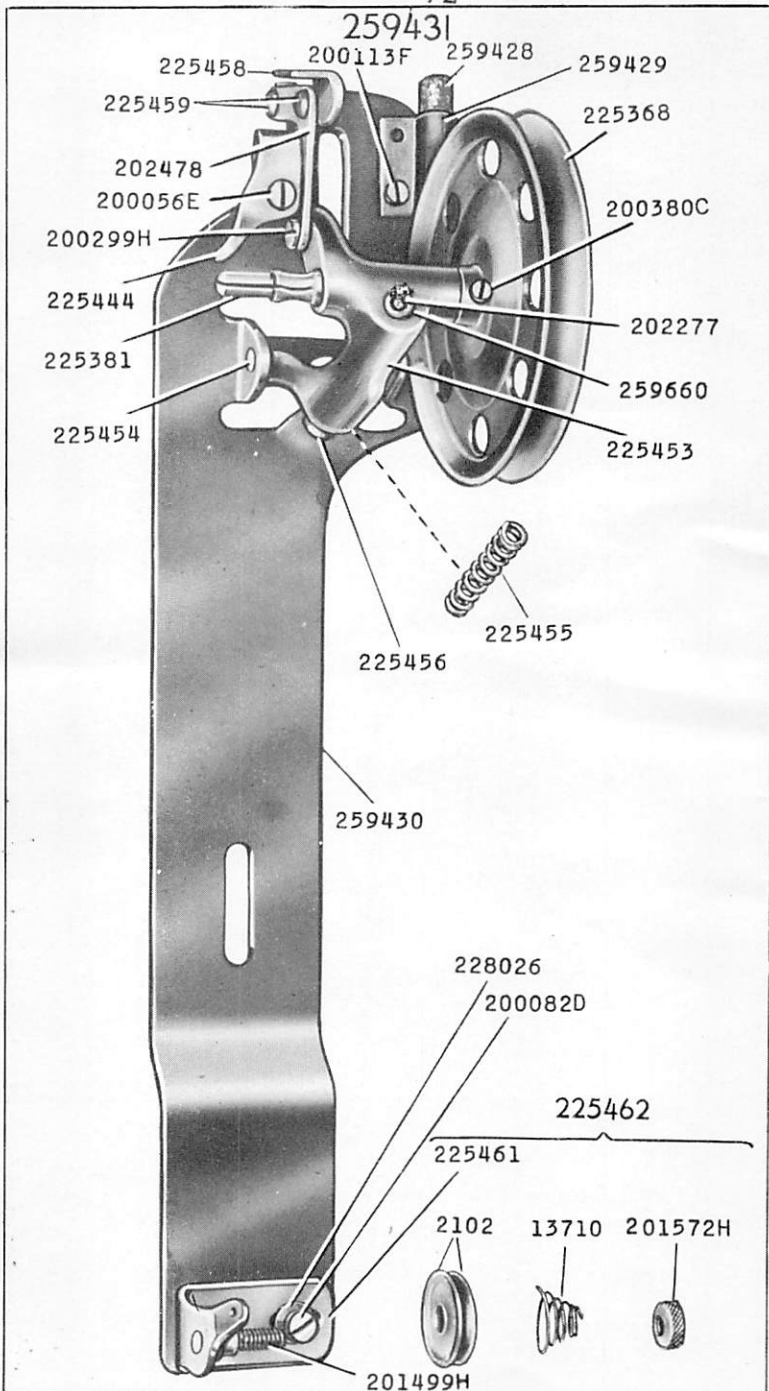
16257 - 1/6

259143



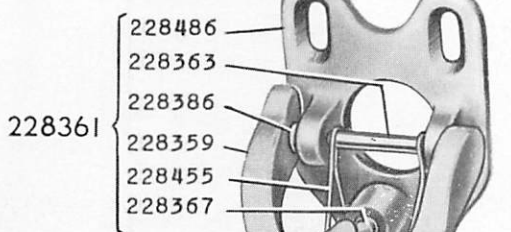
16615 - 1/2

259431



16643 - 3/8

228368



350231C

228365

350231C

200347C

228362

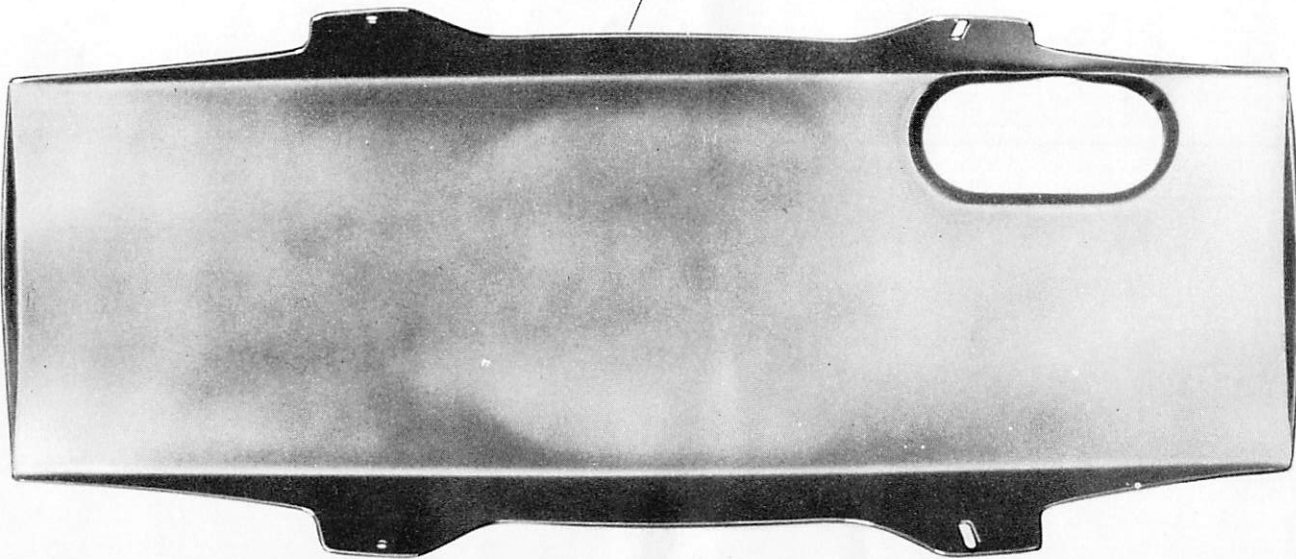
200529C

228388

228364

350231C

224121



16644 - 1/3

From the library of: Superior Sewing Machine & Supply LLC

