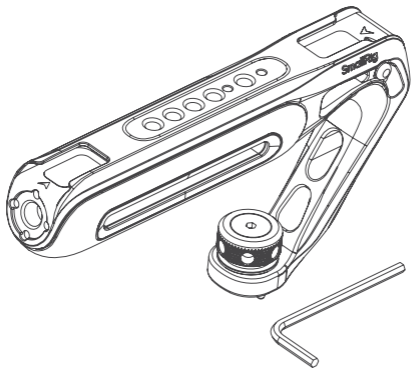


SmallRig



Top Handle

with Two-in-One Locating Screw

木头上提手柄（二合一）

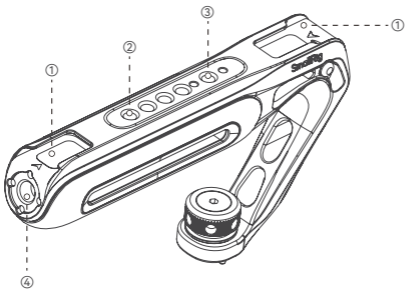
Operating Instruction | 操作指引

- Thank you for purchasing SmallRig's product.
感谢您购买 SmallRig 产品。
- Please read this Operating Instruction carefully.
使用本产品之前, 请仔细阅读操作指引。
- Please follow the safety warnings.
请注意所有警告提示并遵循使用操作指引的所有指令。

In the Box / 包装清单

Top Handle 上手提	× 1	Allen Wrench 六角扳手	× 1
Guarantee Card 保修卡	× 1		

Product Details / 产品介绍



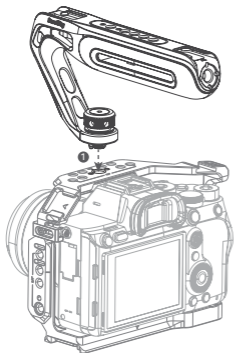
① Cold Shoe Mount
冷靴

② 1/4"-20 Threaded Hole
1/4"-20 螺纹孔

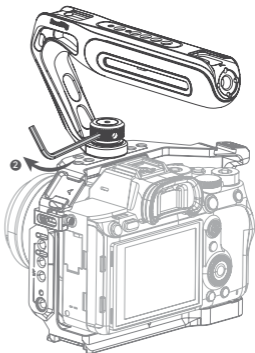
③ 1/4"-20 Locating Hole
1/4"-20 定位孔

④ ARRI 3/8"-16 Locating Hole
阿莱定位孔

Installation Instructions / 安装步骤



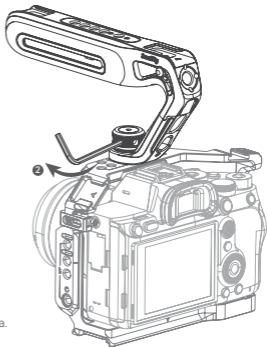
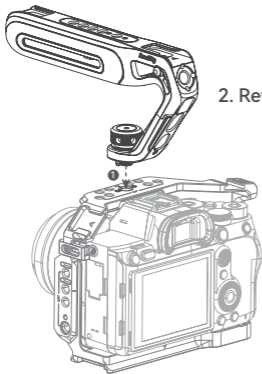
1. Forward Installation



* The package does not include the camera.

* 相机机身需另购

2. Reverse Installation



* The package does not include the camera.

* 相机机身需另购

Specifications / 产品参数

Product Dimensions 产品尺寸	6.5 × 3.4 × 1.3in 165.1 × 86.6 × 32.0mm
Product Weight 产品重量	6.6 ± 0.2oz 188.0 ± 5.0g
Material(s) 主要材质	Aluminum Alloy, Wood 铝合金、木头

Specifications subject to change without prior notice. Please refer to the physical product for the most up-to-date information.

技术参数如有改动，以实物为准，恕不另行通知。

Manufacturer Email: support@smallrig.com

Manufacturer: Shenzhen Leqi Innovation Co., Ltd.

Add: Rooms 101, 701, 901, Building 4, Gonglianfuji Innovation Park, No. 58, Ping'an Road,
Dafu Community, Guanlan Street, Longhua District, Shenzhen, Guangdong, China.

制造商：深圳市乐其创新股份有限公司

地址：中国广东省深圳市龙华区观澜街道大富社区平安路58号共联富基创新园4栋101、701、901

Consignor: Shenzhen LC Co., Ltd.

Add: Room 201, Building 4, Gonglianfuji Innovation Park, No. 58, Ping'an Road,
Dafu Community, Guanlan Street, Longhua District, Shenzhen, Guangdong, China.

委托商：深圳市乐长科技有限公司

地址：中国广东省深圳市龙华区观澜街道大富社区平安路58号共联富基创新园4栋201

执行标准：GB/T 26572-2011



Séparez les éléments avant de trier



中国制造

Made in China