

SmallRig



Crab-Shaped Super Clamp Kit (with Ballhead Magic Arm)

Operating Instruction

SmallRig Crab-Shaped Clamp Kit with Ballhead Magic Arm 1138B includes a ballhead magic arm and a crab-shaped clamp. There is a 1/4"-20 screw on one side of the magic arm for an action camera, monitor, LED video light, microphone, etc. The ball head features anti-slip threads for a firm lock. An anti-twist structure secures the ballhead magic arm to the crab-shaped clamp firm to ensure they do not become loose or fall off while moving. The other side of the crab-shaped clamp can be clipped to a rod, desk, tripod leg, and stabilizer handheld ring. The clamp opens as wide as 54mm / 2.1in and is compatible with DJI Ronin, FREEFLY MOVI Pro, and any 30mm rods, with easy adjustment via a knob. The clamp is embedded with pads which effectively protects the clamping object and enhances the stability of the clamping. The entire kit can be used with the included action camera mount to adapt to GoPro Hero Cage 3084C & 3083C and Frame for Insta360 X3 4088B.

Safety Guidelines

1. Environment

Do not use the product underwater, in extreme temperatures (e.g., freezing or direct heat), corrosive environments, or excessive dust. Dry metal parts immediately after liquid contact to prevent corrosion.

2. Load Capacity

Do not exceed the maximum weight capacity indicated on the product. Overloading risks structural failure, deformation, or accidental drops.

3. Cleaning & Maintenance

Clean surfaces with a dry, soft cloth. Avoid chemicals like alcohol or solvents. Ensure dry and ventilated conditions for long-term storage.

4. Structural Integrity

Do not modify the product (e.g., drilling, cutting)—this compromises structural integrity and increases drop risks.

5. Malfunctions

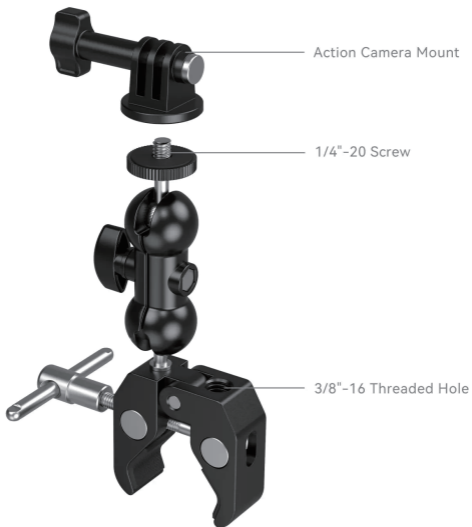
Stop use immediately if you notice deformation, unusual noises, or loose components, and contact support.

In the Box

Crab-Shaped Clamp × 1
Action Camera Mount × 1

Ballhead Magic Arm × 1
Guarantee Card × 1

Product Details



Easy to Use

Become a More Reliable Partner

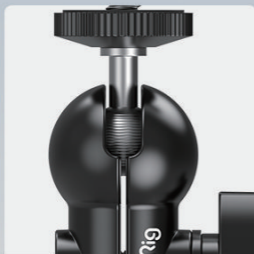


The ball head features anti-slip threads for a firm lock.



An anti-twist structure secures the ballhead magic arm to the clamp firm to ensure they do not become loose while moving.

Become a More Reliable Partner



The ball head features anti-slip threads for a firm lock.



An anti-twist structure secures the ballhead magic arm to the clamp firm to ensure they do not become loose while moving.



Action Camera



Monitor



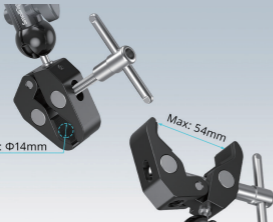
Fill Light



Live Streaming
Camera / Webcam



Camera



Min: Φ 14mm

Max: 54mm



Tube / Rod



Table / Desk





Anti-Slip Hinge Design



All-in-One Connection



Built-in Anti-Slip Pads



Specifications

Precautions

Load capacity: 1.5kg / 3.3lb

Specifications

Product Dimensions

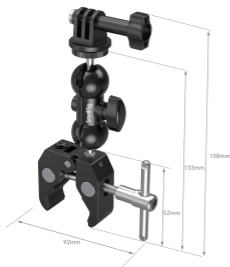
158.0 × 92.0 × 50.0mm
6.2 × 3.6 × 1.9in

Net Weight

420.0 ± 5.0g
14.8 ± 0.2oz

Material(s)

Aluminum Alloy, Stainless Steel



Manufacturer Email: support@smallrig.com

Manufacturer: Shenzhen Leqi Innovation Co., Ltd.

Add: Rooms 101, 701, 901, Building 4, Gonglianfuji Innovation Park, No. 58, Ping'an Road,
Dafu Community, Guanlan Street, Longhua District, Shenzhen, Guangdong, China.

Consignor: Shenzhen LC Co., Ltd.

Add: Room 201, Building 4, Gonglianfuji Innovation Park, No. 58, Ping'an Road,
Dafu Community, Guanlan Street, Longhua District, Shenzhen, Guangdong, China.



Séparez les éléments avant de trier



Made in China