



LIBRARY

INSTALLATION GUIDE AND USER MANUAL

SolArk ISK-2P-N

V1.1

Jul 13, 2023

RESIDENTIAL
NORTH AMERICA





READ THE INSTRUCTIONS COMPLETELY BEFORE OPERATING THE EQUIPMENT



Check the utility voltage before turning ON the unit.



Verify the inviter's programmed grid type before connecting the utility.



The unit will be programmed in 120/240V Split-Phase at a 60Hz by default.

Disregarding these instructions could result in permanent damages to the unit

DISCLAIMER

UNLESS SPECIFICALLY AGREED TO IN WRITING, SOL-ARK:

(A) DOES NOT WARRANT THE ACCURACY, SUFFICIENCY OR SUITABILITY OF ANY TECHNICAL OR OTHER INFORMATION PROVIDED IN ITS MANUALS OR OTHER DOCUMENTATION.

(B) ASSUMES NO RESPONSIBILITY OR LIABILITY FOR ANY LOSS OR DAMAGES, WHETHER DIRECT, INDIRECT, CONSEQUENTIAL, OR INCIDENTAL, ARISING OUT OF THE USE OF SUCH INFORMATION. USE OF SUCH INFORMATION SHALL BE ENTIRELY AT THE USER'S RISK.

Sol-Ark is not responsible for system failure, damage or injury resulting from improper installation of its products.

Information in this manual is subject to change without notice.

This manual is only focused on the inverter labeled as: 15K-2P-N.


Table of Contents


IMPORTANT SAFETY INSTRUCTIONS	5
1. Sol-Ark: First Glance	6
1.1 General Description.....	7
1.2 Specifications.....	8
1.3 Wire Gauge Guide.....	10
2. Installation.....	11
2.1 Mounting the Sol-Ark	11
2.2 Integrating Batteries	13
2.3 Connecting PV Modules	15
2.4 Integrating a Generator	16
2.5 Grid Peak Shaving.....	17
2.6 Automatic Generator Start.....	17
2.7 Integrating Sensors and Accessories.....	18
2.8 Limit Sensors (CT sensors).....	19
2.9 Emergency Stop and Rapid Shutdown.....	21
2.10 Powering-up and Testing the Sol-Ark	22
2.11 Power Cycle Sequence	23
2.12 LED Indicators	23
2.13 Main screen (Touchscreen).....	23
3. User Interface.....	25
3.1 Basic Setup.....	25
3.2 Battery Setup	26
3.3 Limiter	28
3.4 Grid Setup	32
3.5 Programming Guide.....	33
4. Installation Tips	34
4.1 Battery Charge Controller	34
4.2 Battery Communication with MODBUS/CANBUS	35
4.3 Grid Compliance Settings	36
5. Parallel Systems	37
5.1 Before Enabling Parallel Operations	37
5.2 Parallel Systems Programming Sequence	38
5.3 Three-Phase Systems: Programming and Troubleshooting	40
6. Wi-Fi / Ethernet Connection.....	42
6.1 Ethernet Connection	42
6.2 Wi-Fi (PC or Smart Phone).....	42
7. Wiring Diagrams	47
8. Troubleshooting Guide.....	56
8.1 Sol-Ark error codes.....	58
9. Install Verification	59
9.1 Warranty Checklist.....	59
9.2 Limited Warranty: Sol-Ark 15K-2P-N.....	60
10. GUI Screens	61

IMPORTANT SAFETY INSTRUCTIONS


SYMBOLS THAT APPEAR IN THIS DOCUMENT

 **WARNING:** This symbol indicates information that, if ignored, could cause serious injury, equipment damage, or death.

 **CAUTION:** This symbol indicates information that, if ignored, could result in minor injury or equipment damage.

 **NOTE:** This symbol indicates relevant information that is not related to hazardous situations.


WARNINGS


 Read this entire document before installing or using the Sol-Ark 15K-2P-N inverter. Failure to follow any of the instructions or warnings in this document can result in electrical shock, serious injury, or death. Damage to the 15K-2P-N inverter is also possible, potentially rendering it inoperable.

 High Life Risk due to fire or electrocution - ONLY qualified persons should install the Sol-Ark inverter.


 The system must have Ground connections and Neutral connections. Ground MUST be bonded to Neutral ONLY ONCE in the circuit.


 Solar PV+/PV- are UNGROUNDED. Note, you may ground PV Racking/Mounts, but doing so directly to the Sol-Ark will likely result in damage in the case of a direct lightning strike to the PV array.


 DO NOT connect the grid to the Load Output Terminal Block.


 DO NOT reverse the polarity of batteries. Damage WILL occur.


 DO NOT exceed 500V_{oc} on any MPPT on the Sol-Ark.

 DO NOT turn off the battery breaker if there is current flowing in or out of the battery in any amount.

 DO NOT use impact drivers to tighten any fasteners on the Sol-Ark.

 MUST use Strain Reliefs ON ALL wires entering/exiting the Sol-Ark user area.

 MUST use conduit (or double insulated wire) for AC wires entering/exiting Sol-Ark user area.

 ALL terminals/breakers, including battery, MPPT, and AC Terminal Block inputs, should only have one conductor connecting to them.

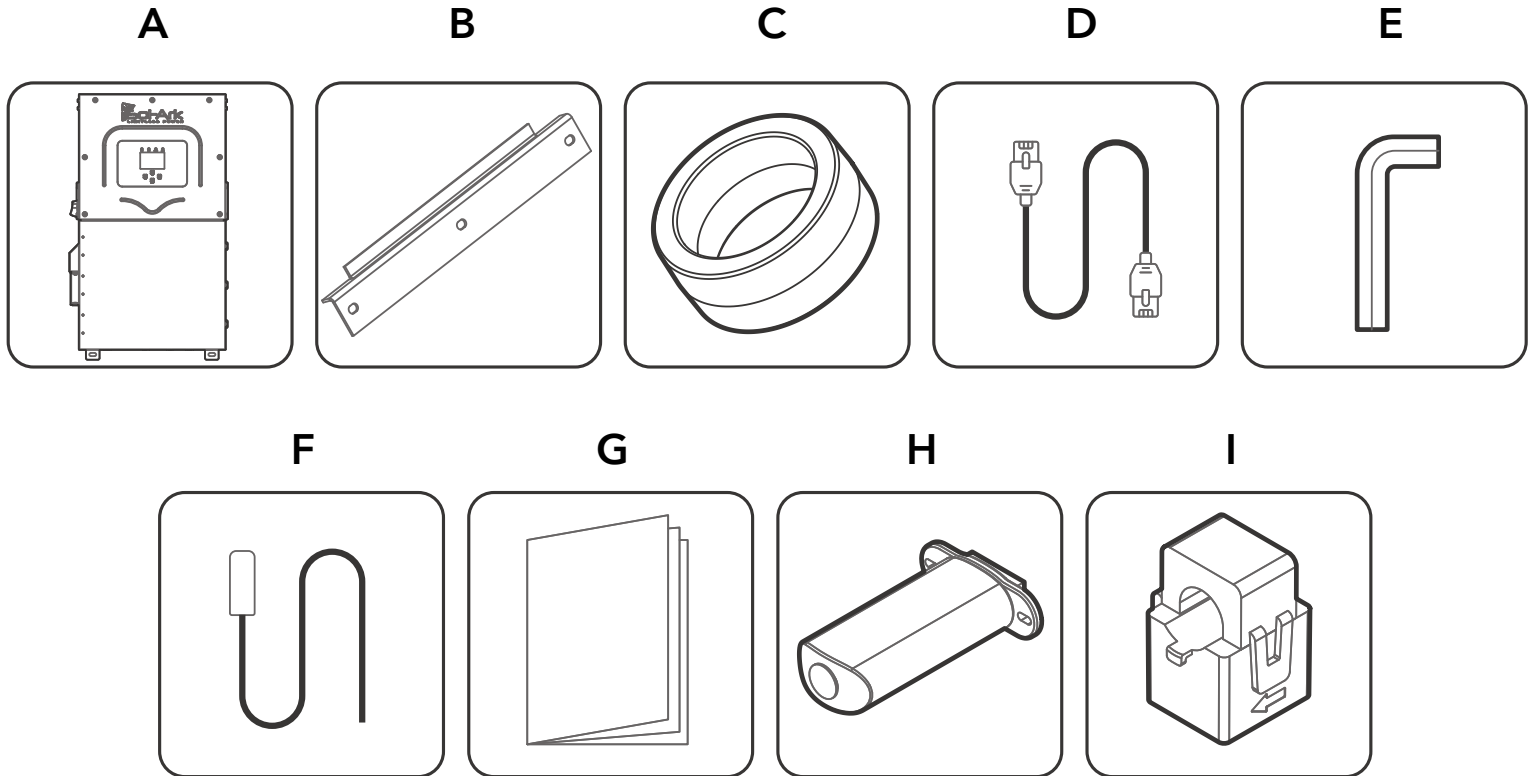
1. Sol-Ark: First Glance

INSPECT SHIPMENT

The box should include all items shown in the component guide. If there is damage or missing parts, immediately call the phone number (USA) +1 (972) 575-8875 Ext. 2.

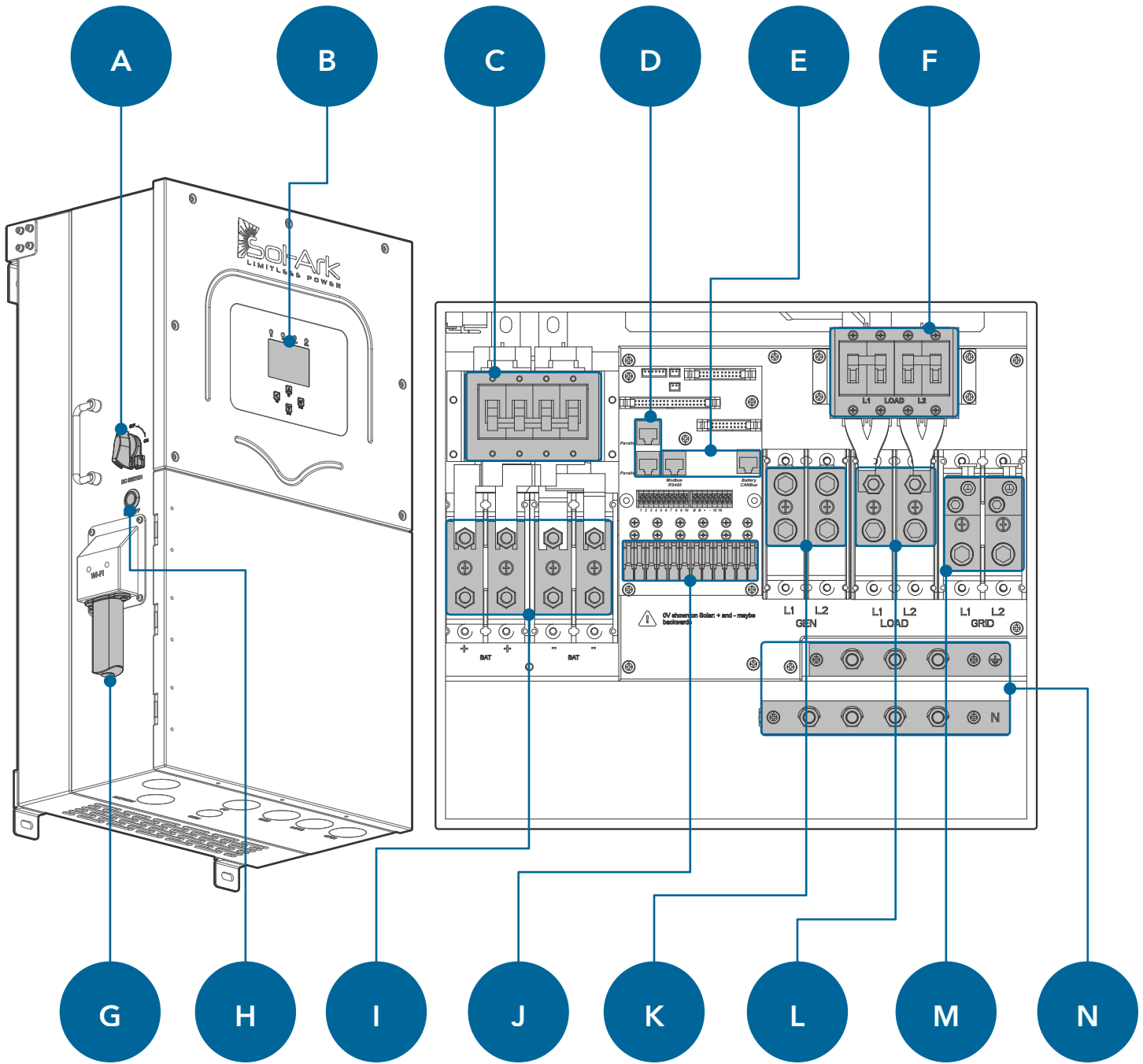
COMPONENT GUIDE

The Sol-Ark 15K-2P-N system includes the following components:



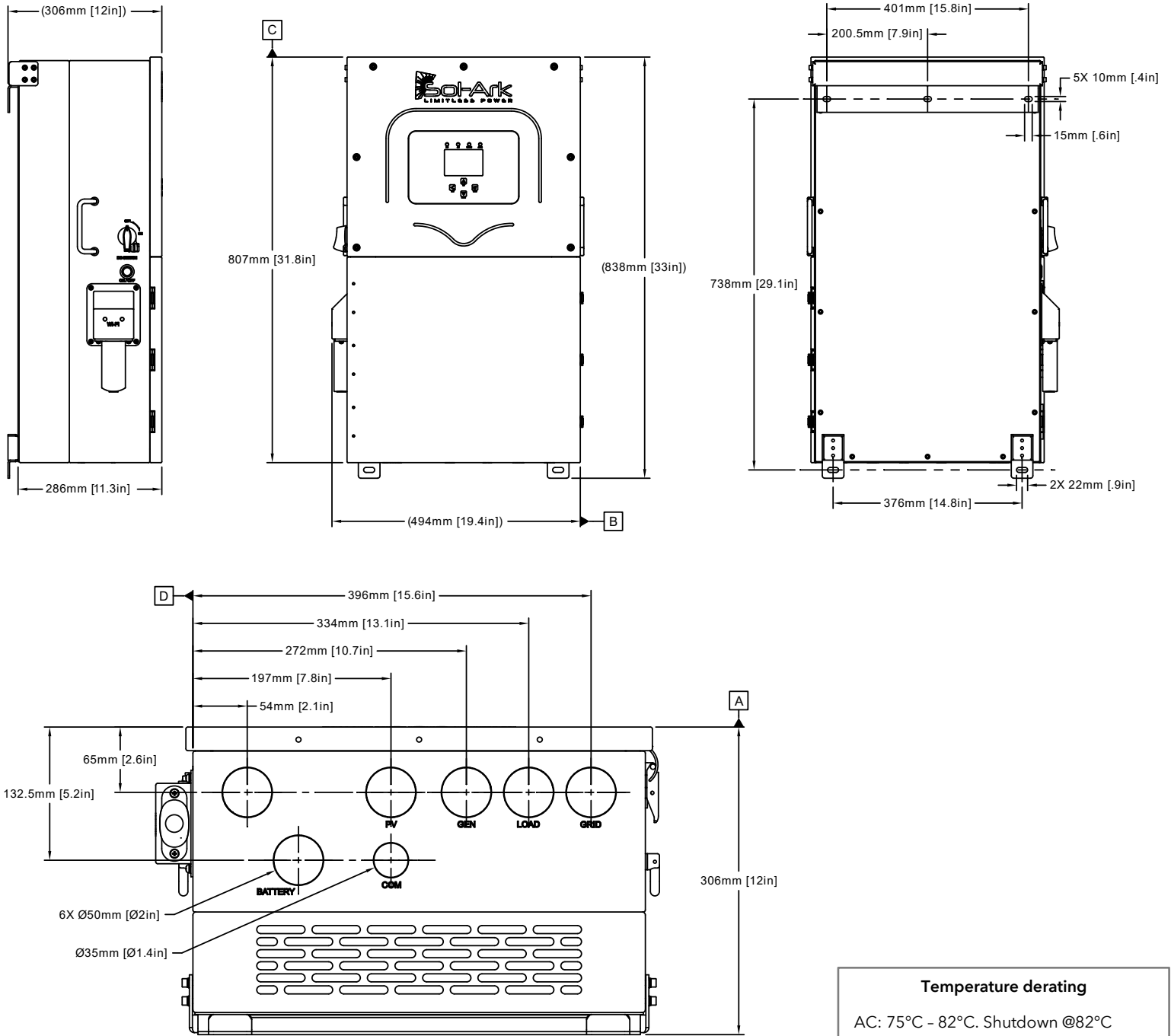
Component	Description	Quantity
A	Sol-Ark 15K-2P-N inverter	1
B	French cleat	1
C	Battery toroid	2
D	CAT 5E communication cable	1
E	Allen key (4 mm)	1
F	Temperature sensor	1
G	User manual	1
H	Wi-Fi / Ethernet antenna (dongle)	1
I	Current transformer sensors (CTs)	2

1.1 General Description



Component	Name	Component	Name
A	PV DC disconnect	H	ON / OFF Button
B	LCD touch screen	I	Battery terminals
C	(250A) Battery breaker	J	MPPT inputs
D	Parallel RJ45 ports	K	(100A) GEN terminal
E	BMS RJ45 ports (RS485 / CAN)	L	(200A) LOAD terminal
F	(200A) LOAD breaker	M	(200A) GRID terminal
G	Wi-Fi / Ethernet dongle	N	GROUND / NEUTRAL Busbars

1.2 Specifications



SOL-ARK 15K-2P-N TORQUE VALUES APPLICATION NOTE

Terminal	Torque [in-lb]	Torque [Nm]
LOAD	62 in-lb	7 Nm
GRID	62 in-lb	7 Nm
GEN	62 in-lb	7 Nm
Neutral / Ground (Busbar)	15.5 in-lb	1.75 Nm
Cover Screws	15.5 in-lb	1.75 Nm
Battery Connection	90 in-lb	10 Nm

Do not use impact drivers to tighten any fasteners on the Sol-Ark



Datasheet

Limitless 15K-LV

Input Data (PV)

Max. Allowed PV Power (STC)	19,500W
Nominal Voltage Range	175 - 425V
Startup Voltage	125V
Max. Input Voltage	500V
Max. Input Current per MPPT	26A (self-limiting)
No. of MPP Trackers	3
No. of PV Strings per MPPT	2
Max. AC Coupled Input	19,200 W

Output Data (AC)

Nominal AC Voltage (L-L)	120/240V, 120/208V, 220V
Grid Frequency	50 / 60Hz
Real Power, max continuous	15,000W
Max. Output Current	62.5A
Real Power, max continuous (batteries only, no PV)	12,000W (50A @ 240V)
Peak Apparent Power (10s, off-grid)	24,000VA @ 240V
Peak Apparent Power (100ms, off-grid)	30,000VA @ 240V
Max Output Fault Current (5s)	94A with PV, 75A (batteries only, no PV)
Max Output Fault Current (100ms)	
Max. Grid Passthrough Current	200A
Power Factor Output Range	+/- 0.9 adjustable
Backup Transfer Time	5ms
CEC Efficiency	96.5%
Max Efficiency	97.5%
Design (DC to AC)	Transformerless DC
Stackable	Up to 12 in parallel

Battery Input Data (DC)

Battery Technologies	Lithium / Lead Acid
Nominal DC Voltage	48V
Operating Voltage Range	43 - 63V
Capacity	50 – 9900Ah
Max. Battery Charge / Discharge Current	275A
Charging Controller	3-Stage with Equalization
Grid to Battery Charging Efficiency	96.0%
External Temperature Sensor	Included
Current Shunt for Accurate % SOC	Integrated
Automatic Generator Start	Integrated
Communication to Lithium	CANBus & RS485

General Data

Dimensions (H x W x D)	807 x 494 x 306 mm / 31.8 x 19.4 x 12 in
Weight	61.2 Kg / 135 lb.
Enclosure	IP65 / NEMA 3R
Ambient Temperature	-25~-55°C, > 45°C Derating
Noise	< 30 dB
Idle consumption - No Load	60W
Wi-Fi & LAN Communication	Included
Standard Warranty	10 Years

Protection and Certifications

Electronics Certified Safety by SGS Labs to NEC & UL Specs - NEC 690.4B & NEC 705.4/6	Yes
Grid Sell Back – UL1741-2010/2018, IEEE1547a 2003/2014, FCC 15 Class B, UL1741SB, CA Rule 21, HECO Rule 14H	Yes
PV DC Disconnect Switch – NEC 240.15	Integrated
Ground Fault Detection – NEC 690.5	Integrated
PV Rapid Shutdown Control – NEC 690.12	Integrated
PV Arc Fault Detection – NEC 690.11	Integrated
PV Input Lightning Protection	Integrated
PV String Input Reverse Polarity Protection	Integrated
AC Output Breaker - 200A	Integrated
200A x 2 Battery Breaker / Disconnect	Integrated
Surge Protection	DC Type II / AC Type II

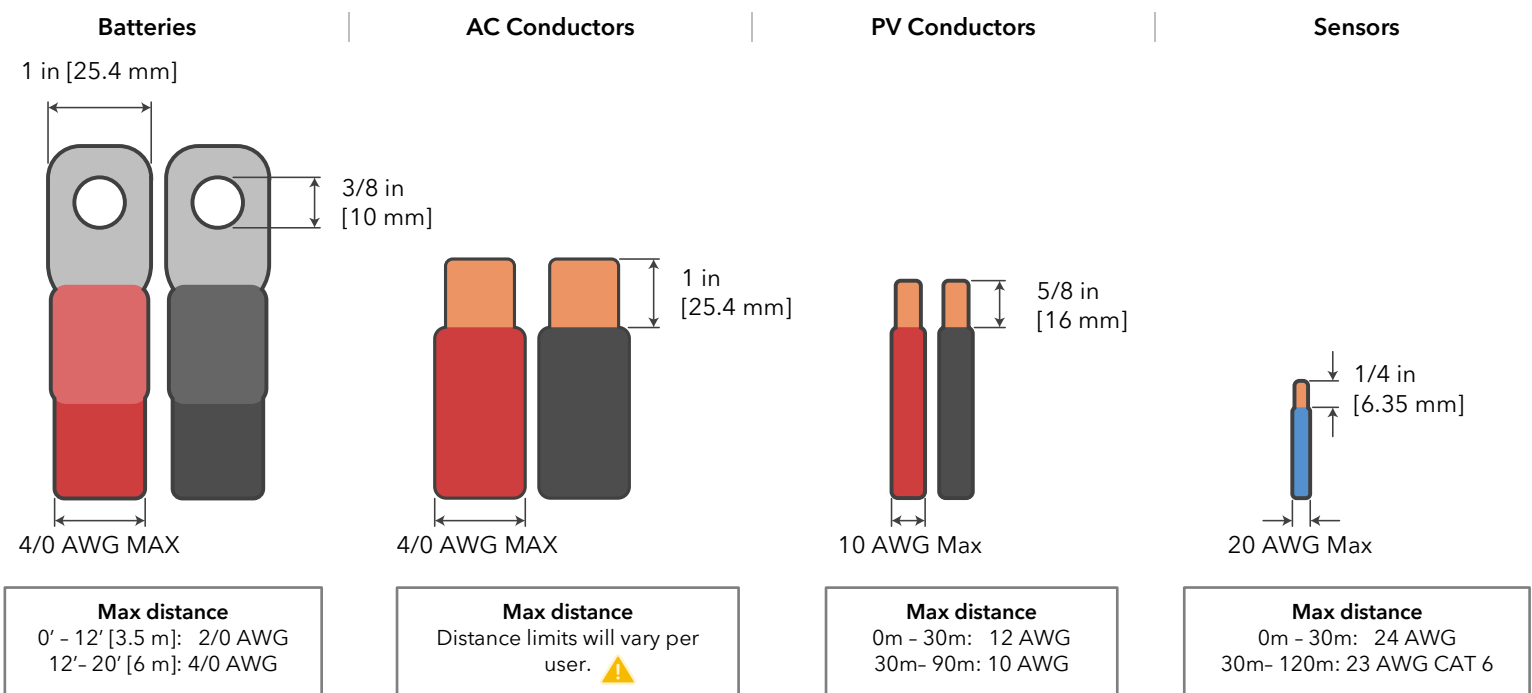
1.3 Wire Gauge Guide

1. AC Input/Outputs:

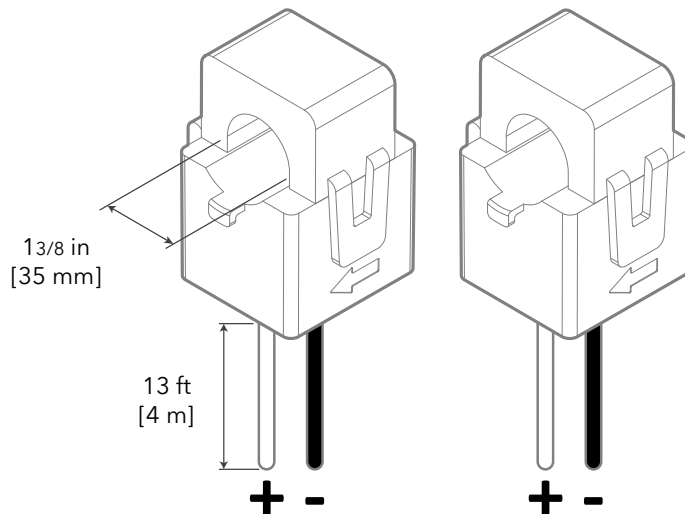
- "GRID" Terminal 200A MAX → 200A passthrough, 1/0 AWG to 4/0 AWG conductor.
- "LOAD" Terminal 200A MAX → 200A passthrough, 1/0 AWG to 4/0 AWG conductor.

⚠ Wire gauge should be selected in compliance with your local electrical code

2. **SENSORS:** 24-20 AWG
3. **SENSORS CT:** 13 ft [4 m] included.
4. **BATTERY TEMPERATURE SENSOR:** Included 9.8 ft [3 m] sensor
5. **CABLE RJ45:** Included 6.5 ft [2 m]. Extendable up to 20 ft [6 m]
6. **BATTERY CABLES:** 4/0 AWG THHN / Max Charge and Discharge limited to 275A



CT Sensors (Included)



2. Installation

Backup Circuits

- The sub panel powered by the LOAD terminal will be considered the essential loads panel.
- You must keep the essential loads panel within the limitations of the unit:
 - Grid Tie → 48 kW = 200A continuous @ 240V (pass-through).
 - Off-Grid → 15kW = 62.5A @ 240V (PV & battery) | 12kW = 50A @ 240V (batteries only)
- Verify that every load circuit power ($P=V*I$), does not surpass the aforementioned limits.

Single System Install

- FOR PARTIAL BACKUP:** Connect the output of your back-feed breaker or line side tap (depending on the point of interconnection) to the "GRID" terminal. An external disconnect of 200A must be installed to protect the inverter and conductors.
- FOR WHOLE-WHOME BACKUP:** Connect the incoming grid directly to the "GRID" input terminal. An external disconnect of 200A must be installed to protect the inverter and conductors.
 - Connect the "LOAD" terminal of the inverter to the Main Service Panel using 1/0 AWG to 4/0 AWG conductors.
 - It is possible to connect a generator or an AC coupled source (80A max or 19,200W) such as string or micro inverters to the "GEN" terminal of the inverter. Only one AC source can be connected to the "GEN" terminal at a time.

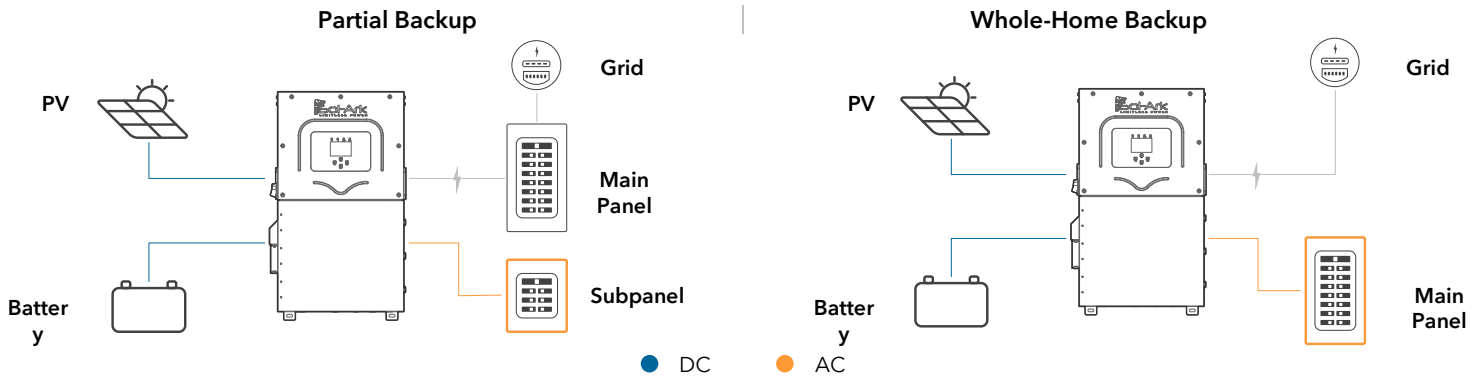


Figure 1: Partial backup or whole-home backup installs

2.1 Mounting the Sol-Ark

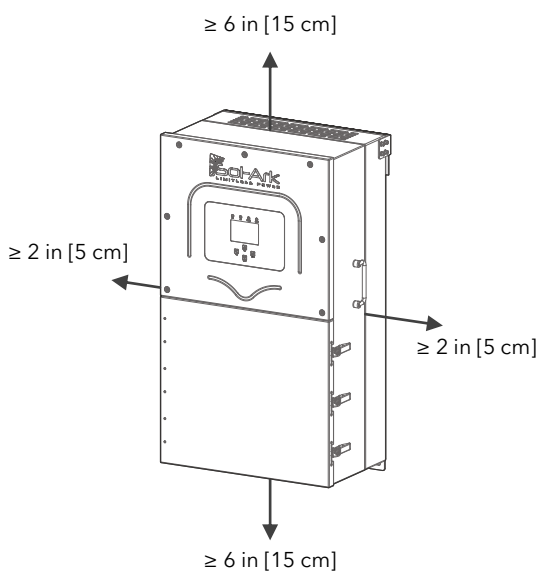


Figure 2: Unit clearances

- The system weight is 135 lb / 61 kg.
- Considering the dimensions of the inverter, find a suitable location for the system(s). There must be at least 6 in [15 cm] of vertical clearance for proper heat dissipation.

! Heat transfer and cooling is done from bottom to top at a rate of 525W/hr

- The Sol-Ark 15K-2P-N is a NEMA 3R - IP65 enclosure that is rated for outdoor installation but can also be installed indoors.
- ⚠️ PROTECT the LCD screen** from direct exposure to UV light.
- Mount the Sol-Ark and ensure the unit is level and properly seated.
- Securely attach the inverter to the mounting surface. You may need expansion plugs or anchors for concrete. In case a different anchorage is required, calculate the support needed to properly hold the weight of the equipment.
- Use five (5) screws and washers (choose screw length/diameter based on surface type).

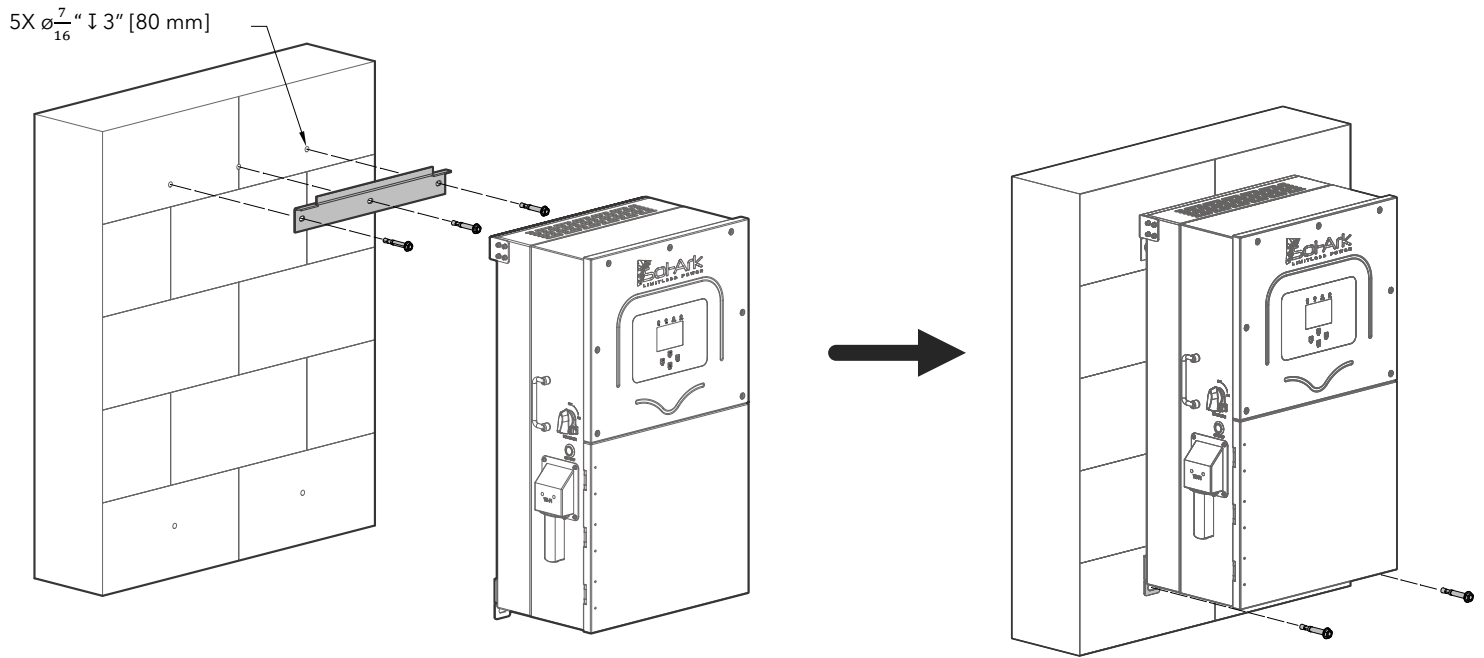


Figure 3: Wall Mount

⚠ Damage to the LCD Screen due to direct sunlight exposure will not be covered by warranty

H. Mount the inverter in the optimal orientation as shown below.

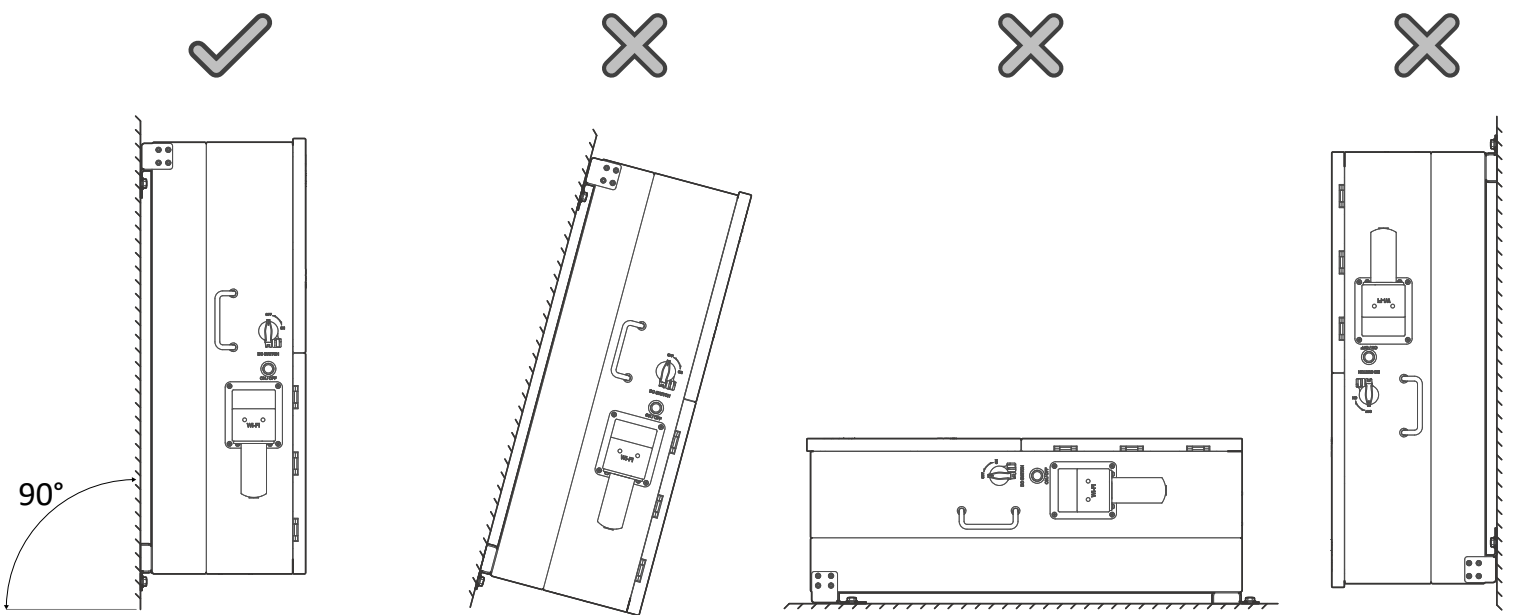


Figure 4: Best practice for mounting orientation

2.2 Integrating Batteries

- A. ⚠ Sol-Ark 15K-2P-N must be OFF.
- B. Depending on battery voltages, wire up the battery bank in the next possible configurations (see figures 5a-5c).
- C. Battery breakers must be OFF when wiring. If your battery bank does not have internal breakers, maintain the necessary safety measures when handling.
- D. ⓘ The 15K-2P-N reaches a max battery charge/discharge of 275A if using both sets of battery terminals. If using only one set of terminals, the max battery charge/discharge will be limited to 160A.

⚠ Sol-Ark 15K-2P-N is a **48V nominal system**. **DO NOT** connect the inverter to any other battery configuration. If you use 12V batteries, you **MUST NOT** exceed four (4) batteries in series, as shown in Figure 5b. The inverter can work with any battery chemistry as long as it remains within the range of **43V to 63V**.

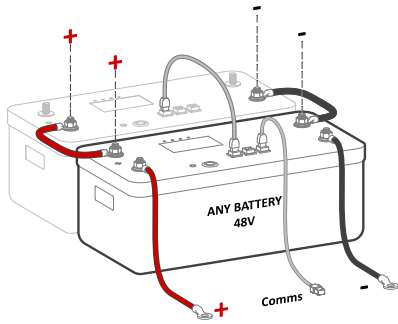


Figure 5a: 48V batteries in parallel connection

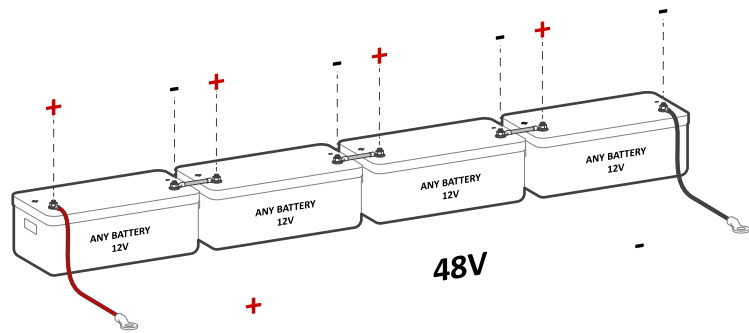


Figure 5b: 12V batteries in series connection

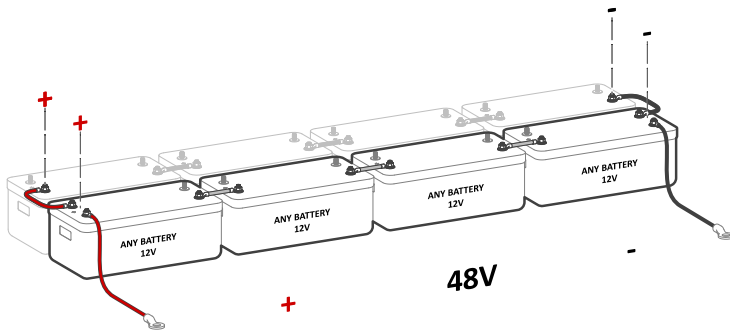
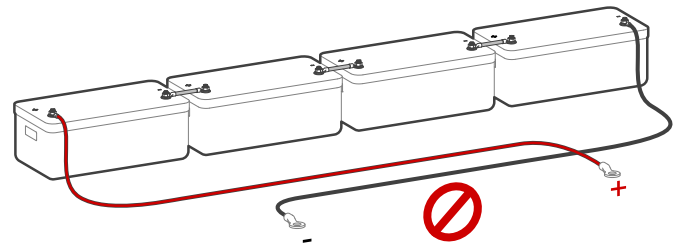


Figure 5c: Series and parallel connections for complete 48V batt bank



⚠ **DO NOT** reverse polarity. The system will be damaged, and warranty will be voided!

Battery Toroid

Install the battery toroids on battery input wires, as shown in the following figure. Battery (+) and (-) cables must go through both toroids simultaneously. If dealing with four (4) wires, all conductor must go through the toroids as shown below.

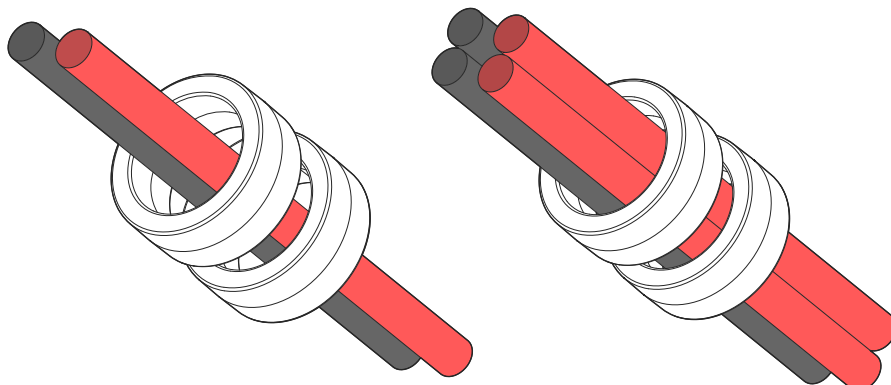


Figure 6: Battery toroid installation

Multi-Terminal Installation

The two battery input terminals of the 15K-2P-N will parallel batteries internally to ensure a common connection between battery banks and simplify battery installations. If a charge / discharge rate of 275A is needed, the batteries must be connected to both input terminals. If using 3 or more batteries, use external busbars for (+) and (-) connections.

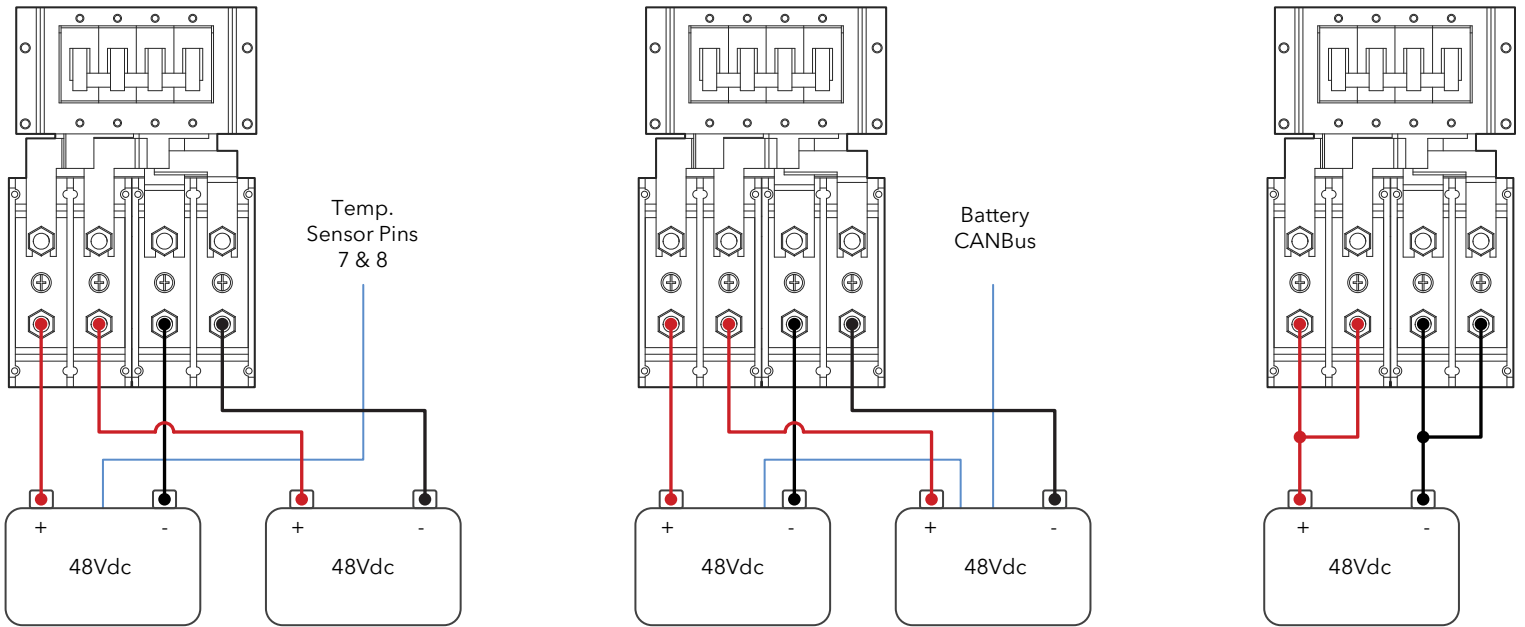


Figure 7: Multi-terminal battery installation

! If a single battery is capable of charging / discharging above 160A, connect the battery to both input terminals. Otherwise, the charge and discharge rate will be limited to 160A max. Connect batteries of the same brand, model, and chemistry to both terminals

! IMPORTANT NOTE: Multi-system install

- A. **ALL** inverters in a parallel system **MUST** connect to a single battery bank. System will **NOT** function properly if this is not followed.
- B. **DO NOT** use separate battery banks in parallel systems.

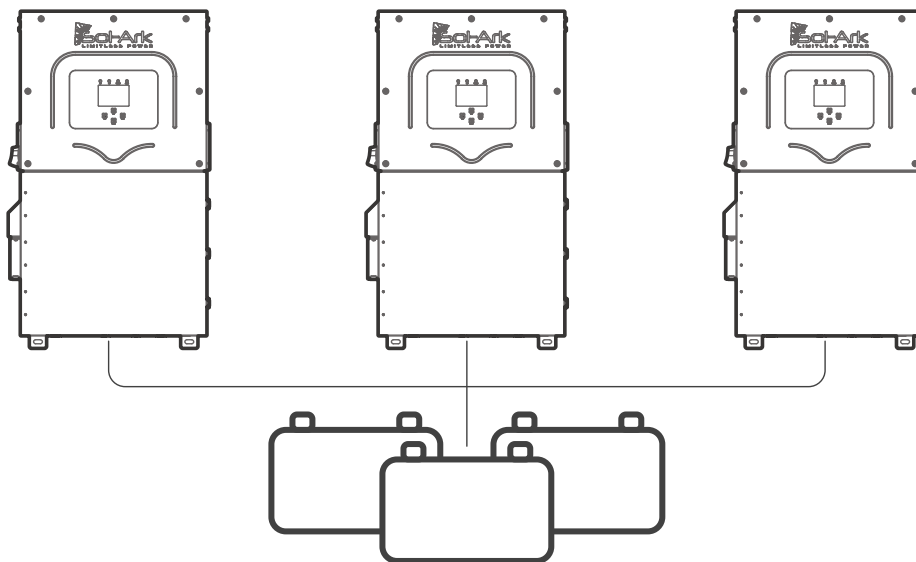


Figure 8: Single battery bank for parallel inverters

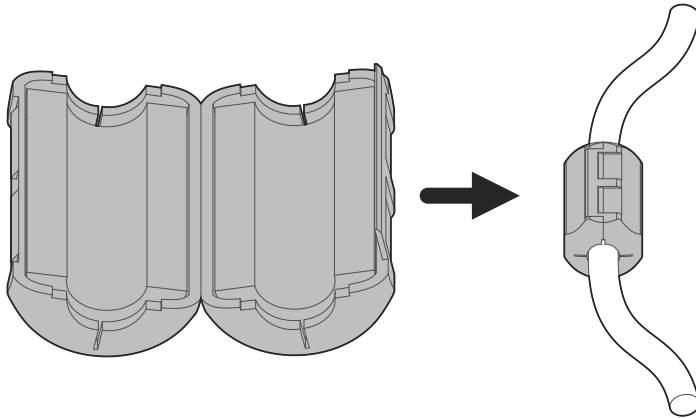
2.3 Connecting PV Modules

E.M.P Systems Only - Suppressor Installation

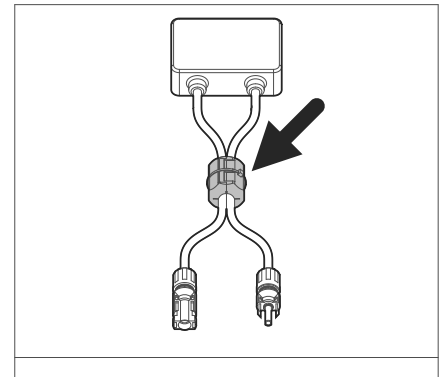
If you purchased your system with Lightning / EMP Hardening, most of the protection is within the Sol-Ark. However, additional EMP suppressors are included to protect home appliances and solar panels. The Sol-Ark 15K-2P-N includes:

- a. Small suppressor amount: 28
- b. Big suppressor amount: 44

Although not critical, their installation is recommended. These suppressors must be installed on the power cord, as close to the appliance as possible. Additionally for solar panels, the big suppressors must clamp both conductors and must be secured with a zip tie. If you purchased the solar panels from us, a >150kV/m protection has already been installed inside the solar panels.



a) Installation of small suppressor on appliance power cord



b) If not using panels from Sol-Ark: big suppressor on solar panel

Figure 9: EMP suppressor installation

! The inverter has 3 MPPTs that work independently from each other. Each MPPT will accept 26A (self-limiting) and a MAX Voc of 500V. Usable power per MPPT of 6.5kW (370Voc optimum value)

- A. Max solar input = 19.5 kW (± 5%) | Max input per MPPT = 6.5 kW | Max input voltage per MPPT = 500 Voc | Max input current per MPPT = 26A (self-limiting).
- B. **⚠ There will be damage if V > 500V**
- C. **!** Strings in parallel on the same MPPT must have the same designed voltage (Voc), otherwise the system will be limited to the lowest string voltage.
 - i. PV1 A/B must have the same Voc.
 - ii. If the solar panels are oriented in different directions and connected in the same MPPT, there will be a loss in PV efficiency.
- D. **!** It is recommended to ground the mounting frame from the PV array to an **external grounding system**.
- E. **⚠** Design for a max input current of 26A per MPPT. The inverter will self-limit beyond 26A. If current exceeds 30A Isc limit, damage will occur.
- F. Connect the solar panel strings using either of the following configurations:

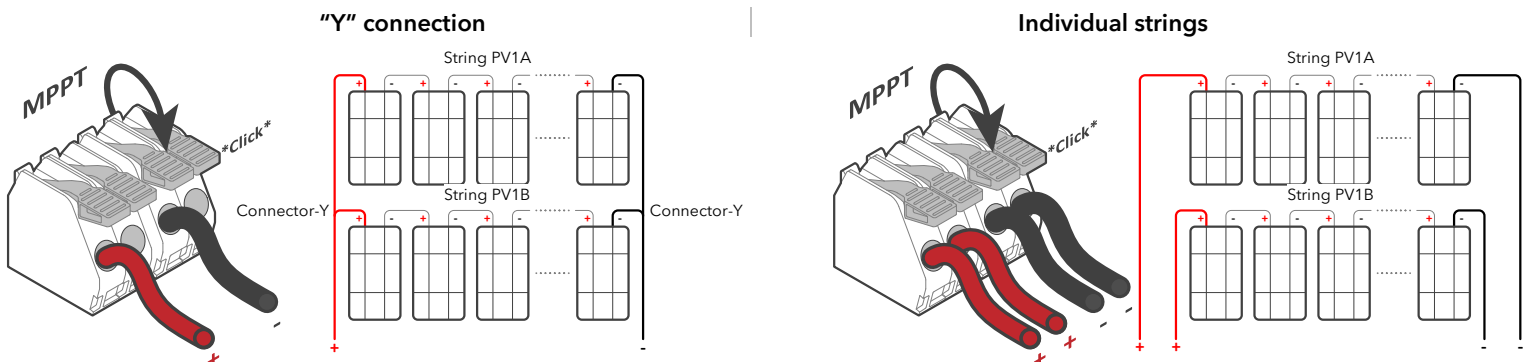


Figure 10: MPPT wiring and PV connections


AC Coupling

The Sol-Ark 15K-2P-N is a system that supports the addition of AC coupled solar panels. The solar input power can be expanded by coupling micro or string inverters into the "GEN" or "LOAD" terminals. A full AC coupled solar system is not recommended as power control and monitoring is limited. Having DC coupled modules or a combination of DC coupled and AC coupled solar panels is always preferred.

1. AC coupling on "GEN"

- Can produce solar power during a grid outage or off-grid systems.
- Can monitor solar production.

2. AC coupling on "LOAD"

- Can produce solar power during a grid outage or off-grid systems.
- Can **NOT** monitor solar production.
-  "GEN" input **CANNOT** be used.
-  Backup Transfer Time is extended to 2 seconds

Max combined solar input (AC+DC) = **38.7kW**

Total = 19.2kW AC +19.5kW DC




*In Off-Grid systems, Sol-Ark uses **Frequency Shift** technology to shut down AC coupled solutions when battery is full. Grid-Tied AC coupled solutions will **always** sell excess solar power back to the grid. "Limited to Load" will **NOT** limit production when AC coupled.*

2.4 Integrating a Generator

Generators Smaller than 19.2kW → On "GEN" Terminal

- Supports 120V/240V generators only.
- Connect the generator output to the "GEN" input terminal of the Sol-Ark 15K-2P-N. You must select the correct grid type before connecting the generator.
- A THD (Total Harmonic Distortion) of less than 15% is preferred.
- "GEN" terminal DOES NOT** support 120/208V 3-Phase generators.

Generators Bigger than 19.2kW → On "GRID" Terminal

- Supports 220V Single phase, 120V/240V Split phase, 120V/208V 3-Phase (2 of 3 phases). The correct grid type must be selected before connecting the generator.
- Off-grid systems with whole-home generators on ATS (Automatic Transfer Switch) or manual transfer switch connected to the grid input terminal require selecting **"GEN Connect to Grid Input"**.
 - Home Screen** →  → **"Limiter"** → **"Other"** → **GEN Connect to Grid Input"** → **"OK"**
- An Off-grid system should NOT use **"Grid sell"**. CT sensors on generator lines are only needed if using **"Grid Peak Shaving"** to peak-shave the generator.



***Weekly Gen Exercise:** If a generator has two-wire start compatibility, it will experience weekly generator tests. This test occurs at 8:00AM (local time) every Monday by default. The test takes 20 minutes to complete. The generator will start and stop automatically. The test can be disabled by specifying :00 | 00 min in the "Generator Exercise Cycle Day & Time" option.*

Improve the Generator & Sol-Ark Compatibility

Select **"General Standard"**, in the "Grid Selection" tab under "Grid Mode", then in the "Connect" tab under **"Normal connect & Reconnect"**, increase the frequency range to **"Grid Hz High=65Hz"**, **"Grid Hz Low=55Hz"** to avoid disconnections between the generator & Sol-Ark 15K-2P-N. Additionally, increase the voltage range to **"Grid Volt High=275V"** and **"Grid Volt Low=185V"**.

! Sol-Ark will not charge the batteries using the generator unless the "Start V" or "Start %" condition is fulfilled. Only one condition (V or %) will be modifiable depending on which control mode is selected ("Use Batt V Charged" or "Use Batt % Charged")

2.5 Grid Peak Shaving

- !** To use Peak-Shaving for a generator, it must be connected to the "GRID" terminal.
- Peak shaving prevents the Sol-Ark 15K-2P-N from overloading generators or can help cut down on costs from utility grid.
- Install the CT sensors so that they measure L1 and L2 of the generator / grid output. The arrows on the CTs must point toward the generator / grid.
- Sol-Ark contributes power from the batteries above the **"Power"** threshold to prevent overloading or to cut down on utility grid consumption.
- This mode will automatically adjust the amperage (A) from "Grid Charge A", to avoid overloads.
- !** Grid Peak-Shaving will automatically enable "Time of Use". The "Time of Use" settings must be configured.

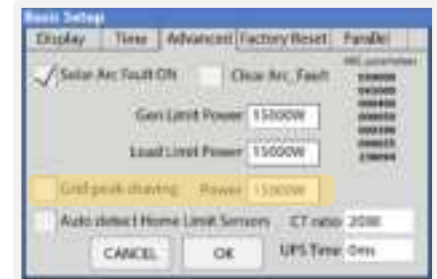


Figure 11: Grid peak-shaving setting

2.6 Automatic Generator Start

- "Gen Charge"** is used when the generator is connected to the **"GEN"** terminal.
 - "Start V" or "Start %"** is the set-point/condition that must be fulfilled to automatically start the generator.
 - To charge the battery from the "GEN" source, **"Gen Charge"** must be selected.
 - !** Batteries will charge from a generator until the battery bank accepts 5% of its programmed capacity in Amperes (A). This is equivalent to around 95% of the SOC.
- "Grid Charge"** is used to charge the battery from the **"GRID"** terminal source (utility grid or a generator).
 - "Start V" or "Start %"** is the set-point/condition that must be fulfilled to automatically start the generator.
 - To charge the battery from the "GRID" source, **"Grid Charge"** must be selected. This option keeps the battery at 100%.
 - !** Batteries will be charged to 100% from utility grid.
 - !** Batteries will charge from a generator until the battery bank accepts 5% of its rated capacity in Amperes (A). This is equivalent to around 95% of the SOC

! If **"Time of Use"** ("TOU") is enabled, **"Charge"** must be checked on desired time intervals. Otherwise, the generator won't automatically start even if the Start V or Start % condition has been met.

Gen Charge / Grid Charge "A"

"A" is how many amps (DC) are supplied to the battery from a generator. Adjusting and limiting the GEN or GRID "A" value will ensure that small generators are not overloaded when charging the battery bank.

If connecting more than one Sol-Ark in parallel, multiply the Gen or Grid "A" value by the **# of Sol-Ark inverters** to get the actual current (A) what will go into the battery bank.

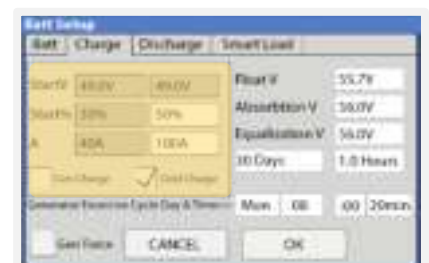


Figure 12: Generator and grid charge settings

2.7 Integrating Sensors and Accessories

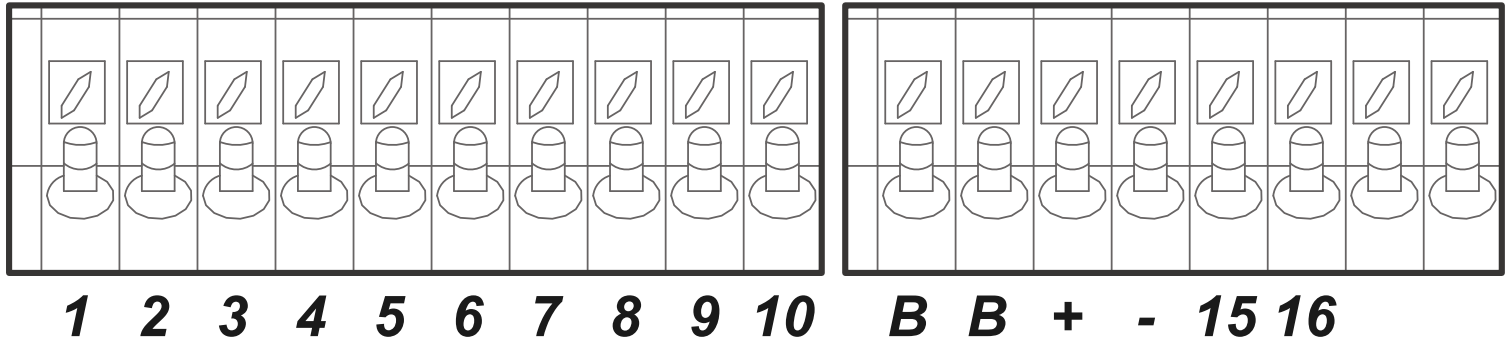


Figure 13: Inverter sensor pinouts

- **(1,2) Battery temperature sensor:** Not polarity sensitive. Used for voltage compensation for Lead Acid batteries
- **(+3, -4) CT1 & (+5, -6) CT2:** Current transformer (CT) inputs
- **(7,8) Gen Start Relay:** Two-Wire start, dry contact (normally open)
- **(9,10):** Not in use
- **(B, B) Emergency Stop:** Dry Contact (normally open); when these pins are shorted emergency stop will be initiated
- **(+, -):** Not in use
- **(+15, -16):** 12Vdc power supply for RSD transmitters (100mA max, 12Vdc, 1.2W)

Temperature Sensor

- Place the sensor between two batteries as shown in the next figure.
- Secure with tape and place the sensor away from the batteries terminals to prevent overheating.
- This sensor has no polarity when connecting to the inverter. The temperature sensor helps perform voltage charging adjustments and capacity calculations due to changes in temperature.
- **!** Lithium Batteries **DO NOT** require our external temperature sensor.

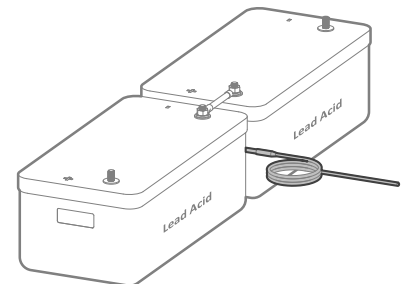


Figure 14: Temperature sensor for Lead-Acid batteries

BMS Port (CAN/RS485)

- This port is used to setup a Lithium Battery in closed-loop communication with the Sol-Ark 15K-2P-N (consult our **"Battery Communications Integration Guide"** on the Sol-Ark website at www.Sol-Ark.com/support).
- Must use an RJ45 connector.
- Only use the CAN port for battery BMS communications (the CAN port supports both CANBus protocol and Modbus protocols)

Wi-Fi / Ethernet Antenna (Dongle)

- Remote monitoring and software updates require an internet connection through the Wi-Fi Dongle.
- Compatible with Wi-Fi or ethernet connections.

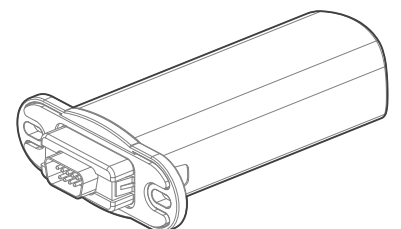


Figure 15: Wi-Fi dongle (antenna)

GEN Start Signal (Two-wire start)

- The signal comes from a normally open relay that closes when the generator **"Start"** condition is met

2.8 Limit Sensors (CT sensors)

The CT sensors (or limit sensors) enable the use and smooth operation of the system work modes known as **"Limited Power to Home"** and **"Grid Peak-Shaving"**. The CTs will measure and calculate the demand in the Main Service Panel which the Sol-Ark 15K-2P-N will then use to accurately supply and offset all home loads.

! Off-Grid system do not require CT sensors unless using "Grid Peak-Shaving"

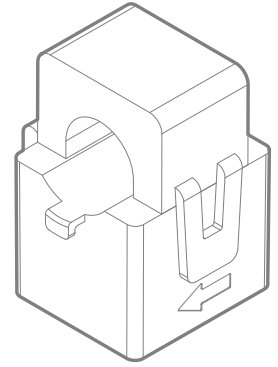


Figure 16: CT Sensor

CT Sensors Installation

- Install sensors on incoming electrical service wires on L1, L2 and L3 if system is 3-phase.
- Embossed arrows on the sensors must point towards the grid.
- **!** If the system is 120/208V 3-Phase, the arrows must point towards the inverter(s).
- **"Limited Power to Home"** (Meter Zero) and **"Grid Peak Shaving"** require CT sensors.
- To ensure proper fit, check incoming wire diameters (grid or generator). If the sensors are too small, bigger CTs can be purchased by calling sales: +1-972-575-8875 ext. 1 or sales@sol-ark.com
- See section 3.3 "Limiter" for more information about the different work modes.
- See section 7 "Wiring diagrams" for more information on CT installation.

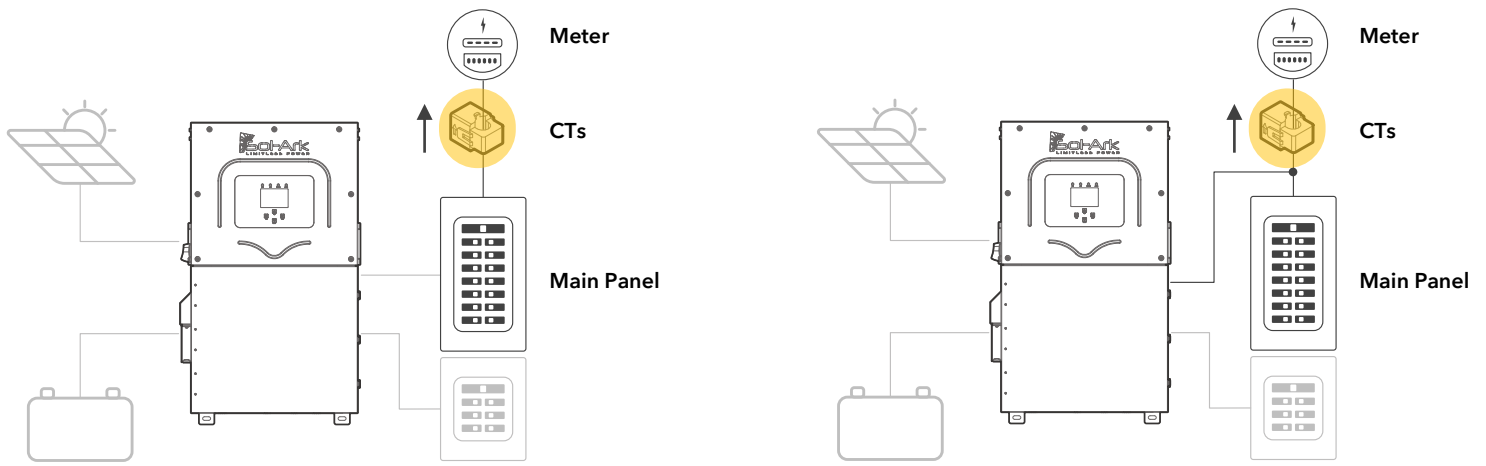


Figure 17: Installation of CTs

CT Sensor Size

- Sol-Ark includes two 1 3/8" CT sensors (300A for 4/0 AWG wire gauge).
- Sol-Ark offers 1 5/16" CTs (200A for 4/0 AWG wire gauge) and 2" CTs (400A) upon request.
- Default Sol-Ark CT ratio is 2000:1

! Unless authorized, **DO NOT** change CT Ratio or warranty will be voided

! Wire gauge is the only metric used to determine size of CTs. Contact sales at +1 (972) 575-8875 ex.1 to purchase bigger CT sensors

Wiring the CT sensor

- Connect CT1 from phase L1 to pin 3 (white), 4 (black).
- Connect CT2 from phase L2 to pin 5 (white), 6 (black).
- Keep the wires twisted (white-black) throughout the connection.
- If the wires need to be extended, use CAT 6 (shielded) cable to make an extension (see Figure 19).

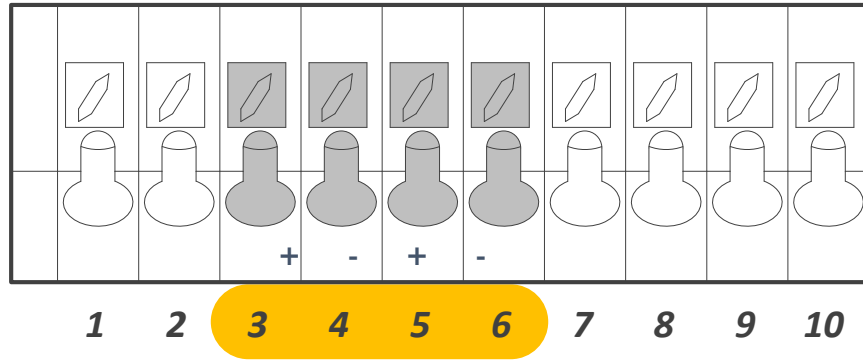


Figure 18: CT input pins on inverter

CT Sensors for Parallel Systems 120V/240V Split phase

- Each inverter will include two (2) CT sensors.
- Only one pair of CT sensors must be wired to the designated “MASTER” inverter.
- **!** CT sensors are **essential** for multi-Sol-Ark systems as “Limited Power to Home” mode is highly recommended for multi-system installs.

CT Sensors for Parallel Systems 120V/208V Three-Phase

- Install one CT per phase; connect CT1 to L1 (pin +3, -4) and CT2 on L2 (+5, -6) of inverter 1. Program inverter 1 to be Master, Phase A.
- Install CT3 on L3 (pin +5, -6) of inverter 2. Program inverter to be Master Phase B.
- **!** CT sensors on 3-Phase systems **MUST point in the opposite direction** (i.e., towards the inverters).

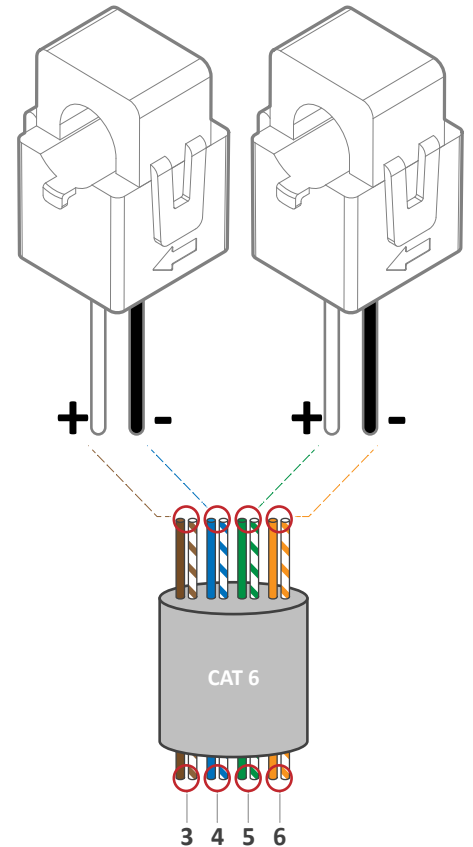


Figure 19: CT wire extensions with shielded CAT 6 cable

Automatic CT Limit Sensors Configuration

This function **requires batteries** to auto detect and auto correct CT orientation. AC coupled inverters need to be **OFF** during the detection test. If this test is done with connected AC-coupled systems, a factory reset of the Sol-Ark must be performed. Install the CT sensor as described in section 2.8 “Limit Sensor”. A battery connection and grid power are required before starting the automatic configuration.

→ **Basic Setup** → **Advanced** → **Auto detect Home Limit Sensors** → **OK**

Wait at least 10 to 15 seconds while the inverter performs the test. The inverter will alternate the current distribution in all lines, determining the correct orientation of the sensor.

! CT sensor troubleshooting

- If you are exclusively using “Limited power to Home”, HM values will read close to zero or positive. Keep in mind that all sensors have a 3% error.
- To avoid selling power to the utility use “Zero Export Power” equal to or greater than 20W.
- Buying power from the grid will display positive (+) HM values, while selling to the grid displays negative (-) HM values.

2.9 Emergency Stop and Rapid Shutdown

The (B, B) emergency stop pins of the Sol-Ark 15K-2P-N are an ordinarily open contact that triggers rapid shutdown (RSD) when closed. RSD will cut all power including the Sol-Ark's internal power supply and stop all AC outputs. The internal 12Vdc power supply of the Sol-Ark (pins 15 & 16) will disconnect any RSD transmitter that will then shutdown all solar panels when the emergency stop button is pressed.

- Emergency stop button connects to (B, B) pins of the Sol-Ark.
- RSD transmitter connects to pins 15 & 16 (12Vdc power supply)
- **!** For parallel systems: the emergency stop should be connected to the inverter designated as "MASTER" and it will initiate rapid shutdown on all paralleled inverters.

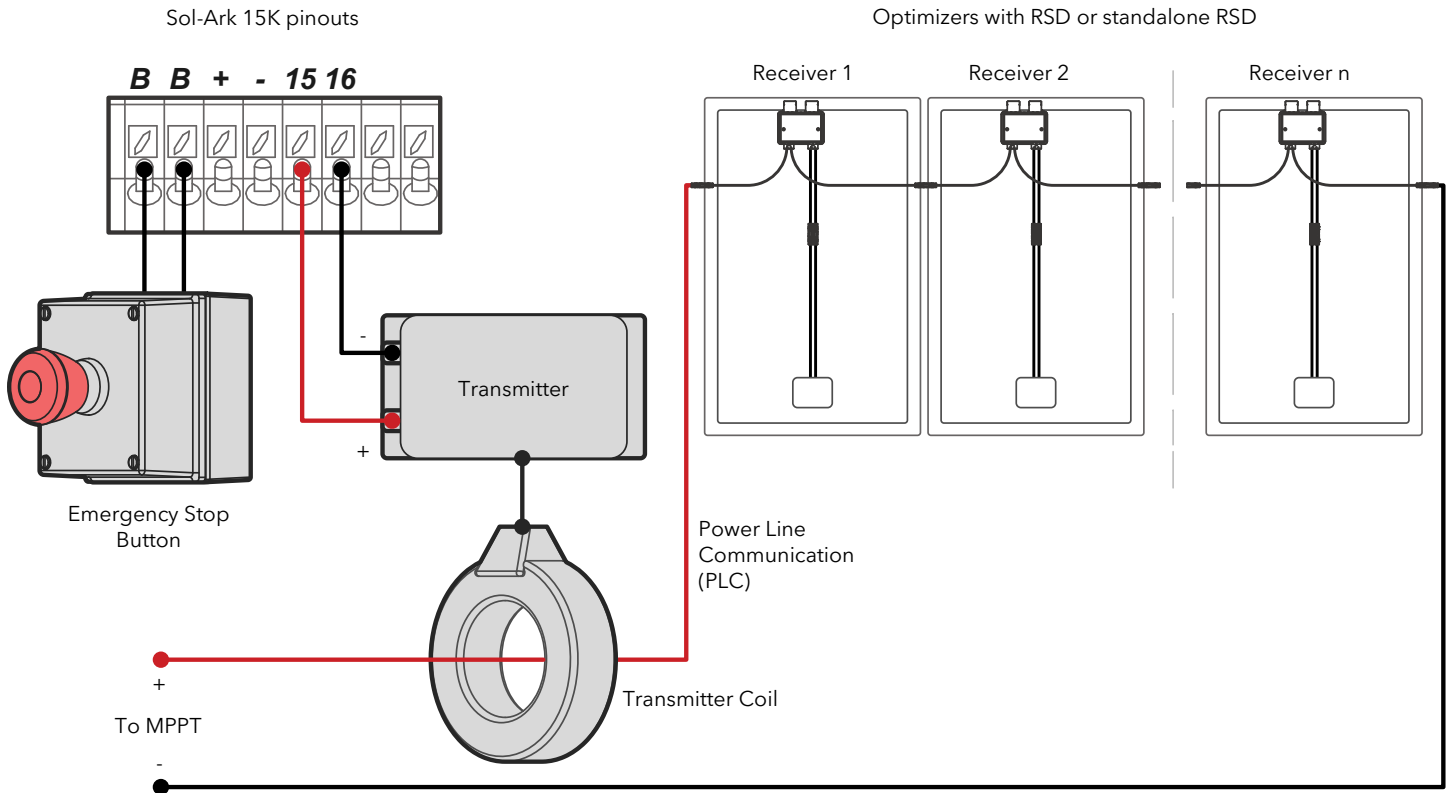


Figure 20: Emergency stop and RSD installation

! RSD Warning

- The Built-in 12Vdc power supply of the Sol-Ark 15K-2P-N (Pins 15 & 16) is rated for **100mA (1.2W)**. Do not exceed!
- If unsure of the current (A) rating of the transmitter, contact the manufacturer before connecting to Pins 15 & 16
- TIGO Optimizers are compatible with the Sol-Ark but **DO NOT** use internal power supply to power the "TIGO Optimizer TX" transmitter

! Transmitters placed inside the user area of the Sol-Ark 15K can cause interference

Rapid Shutdown Recommendations

TIGO TS4-A-O

TIGO TS4-A-F

TIGO TS4-O

TIGO TS4-O-DUO

APsmart RSD S-PLC / RSD-D

Misc. Hardware Recommendations

Disconnect / Transfer Switches: 200A Fused Disconnect: Square D D224NRB Safety Switch Fusible 200A 2P NEMA-3R 240V, Single Throw | Siemens 200 Amp 2-Pole Fusible General-duty Safety Switch Disconnect

PV Fuses: 15A PV MC4 in-line fuse holder (ZOOKOTO or DPJ)

Electrical Panels / Load Centers: Any appropriately rated panel for your loads.

Battery Combiners (Parallel Systems Only): Any appropriately rated pair of Bus Bars with 3/8" battery connection terminals

2.10 Powering-up and Testing the Sol-Ark

! TURN ON the inverter with at least one power source: 1) Battery, 2) PV or 3) Grid

1. Check the voltage of the battery bank

- ⚠** Voltage of the battery must be between 43Vdc - 63Vdc.
- If applicable, turn "ON" internal switches of battery modules or battery pack. Measure individual voltages.
- Verify proper voltage of the battery bank at the battery terminals of the Sol-Ark.

2. Check the voltage of each PV input circuit

- ⚠** Input voltage must not exceed 500Vdc.
- Input voltage must be above the startup voltage of 125Vdc.
- ⚠** Do not ground PV+ or PV-.
- ⚠** Verify polarity in each PV string. Backward polarity will measure 0Vdc or (-) Vdc. (May cause long term damage if not rectified).
- !** PV input will only turn on the LCD screen. Inverter requires **grid power** and/or **batteries** to start inverting.
- PV DC disconnect switch on the side of the inverter will turn the PV ON or OFF.

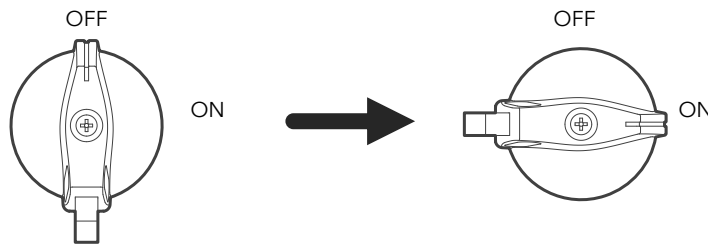


Figure 21: Built-in PV DC disconnect

3. Check GRID input voltage

- Use the terminal lugs to measure AC voltages with a multimeter.
- Measure line (L) to neutral (N) voltages on "GRID" terminal. Ensure 120Vac on both phases.
- Measure line (L1) to line (L2) voltage on "GRID" terminal. Ensure 240Vac. (If voltage reading is close to 220V or 210V, verify if grid is single-phase or three-phase instead).
- Verify that voltage between neutral and ground is 0Vac.
- Verify that voltage between "GRID" L1 and "LOAD" L1 is 0V. Do the same for L2.

4. Power ON Sol-Ark 15K-2P-N

- Turn "ON" the battery breakers. Wait for the "Normal" LED indicator to turn on. This may take a few minutes.
- Turn "ON" the PV DC disconnect switch. Wait for "DC" LED indicator to turn on.
- Turn "ON" the external "GRID" disconnect. Wait for "AC" LED indicator to turn on.
- Press the power button located on the side of the inverter.
- Turn "ON" the "LOAD" breaker and the external "GEN" breaker.

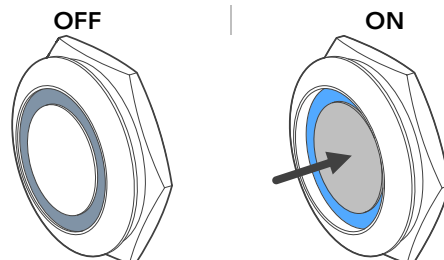


Figure 22: Power Button OFF / ON

2.11 Power Cycle Sequence

1. Press the power button on the side of the inverter back to the **OFF** position.
2. **TURN OFF** all AC sources including the external "GRID" disconnect, and "LOAD" breaker.
3. **TURN OFF** the built-in PV DC disconnect switch on the side of the inverter.
4. **TURN OFF** the battery breakers.
5. Wait a moment (~1 min) to ensure the inverter is completely de-energized.
6. Make sure that the Sol-Ark is properly connected to the batteries, solar panels, "GRID", "GEN", and "LOAD."
7. Reverse the steps to turn ON the inverter.

2.12 LED Indicators

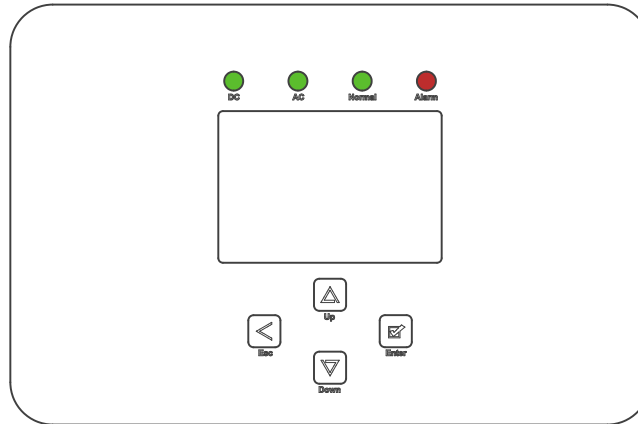


Figure 23: User interface and LED indicators

DC	AC	Normal	Alarm
Green → DC Solar Panels connected and providing voltage. OFF → Minimum MPPT voltage not met, wrong polarity or no PV _{DC} .	Green → Grid is connected and providing voltage. OFF → Grid voltage out of range or Off-Grid system.	Green → Sol-Ark is fully energized* and inverting power. OFF → Not fully energized*, in fault state or in passthrough mode.	Red → Alarm state. Check the alarms menu. Home Screen → ☰ → "System Alarms" OFF → No alarms / error codes / setting change notifications

i *Fully energizing the unit constitutes at least: a) DC Solar panels **AND** Grid or b) Just batteries

2.13 Main screen (Touchscreen)

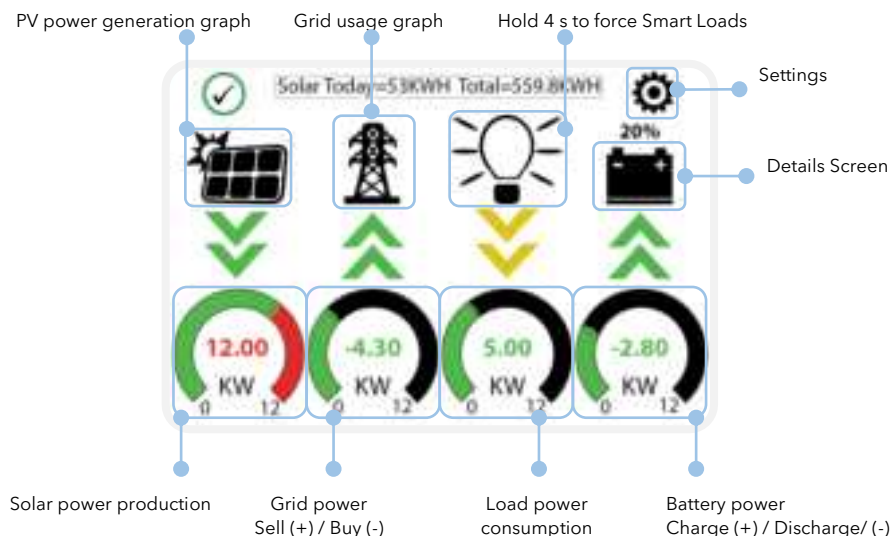


Figure 24: Main Screen

1. Details Screen

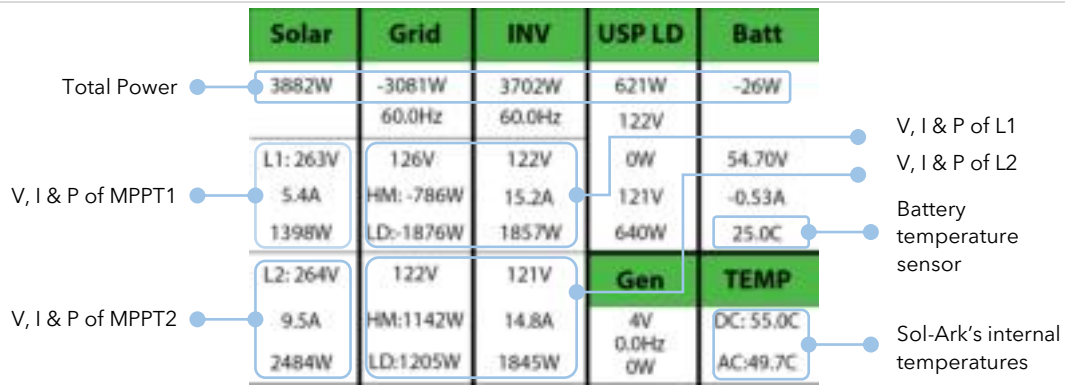


Figure 25: Detail Screen

- ⚠ PV voltage from "Solar" column must not exceed 500V.
- Battery temperature will measure 25°C by default if the battery sensor is not connected.
- ⓘ DC Temp: Sol-Ark 15K-2P-N does not have internal DC temperature sensors. Temperature reading can be ignored.
- AC Temp: Internal AC conversion side temperature.
- "Grid" column: power in the grid
 - If selling to the Grid, Watts = negative (-)
 - If buying from the Grid, Watts = positive (+)
 - HM: power detected by the external CTs. L1-L2
 - LD: power detected using internal sensor on "GRID" terminals.

ⓘ Opposing "Grid" or "HM" values indicate an incorrect installation of CT. See section 2.8 "Limit Sensor"

2. PV power Generation Graph

- Display power production over time for the PV array.
- Use up/down buttons (↑, ↓) to navigate between days.
- Month view/ year view/ total production.

3. Grid Usage Graph

- Displays power drawn from grid (+) / sold to the grid (-).
- Values above the line indicate "power bought" from the grid.
- Values below the line indicate "power sold back" to the grid.
- This view can help to determine when the peak power is used from the grid.

4. System Setup Menu



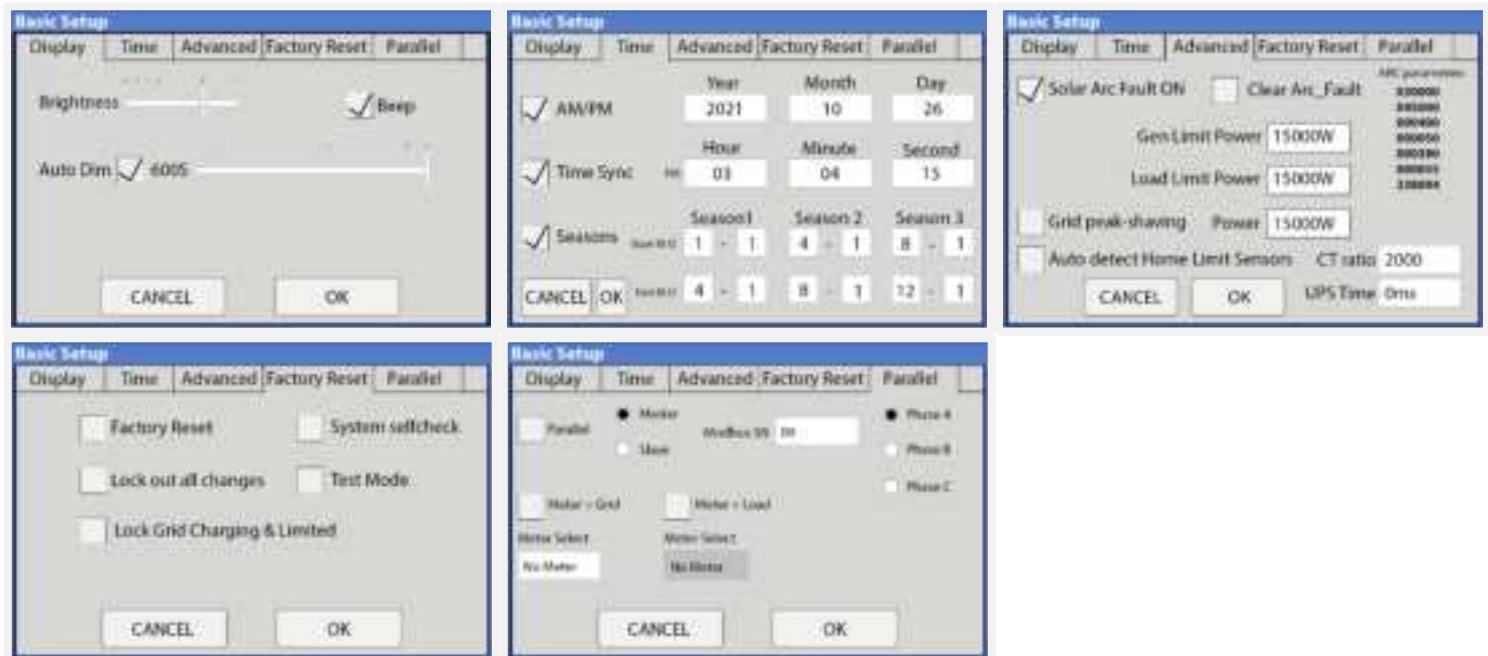
Figure 26: System setup screen

3. User Interface

Main Menu



3.1 Basic Setup



Display

- Brightness:** Brightness adjustment (+, -).
- Auto Dim:** Must be enabled for the warranty to cover the LCD screen.
- Beep:** Enable / disable the alarm sound when system faults.

Time

- Time Sync:** Automatically syncs with the internet for daylight saving time changes (Enabling "Time sync" is recommended).
- Seasons:** Set seasons for TOU (Time of Use) to follow, up to 3 seasons with chronological order.

Advanced

Solar Arc Fault ON: Enables Arc fault detection algorithm on the MPPTs.

Clear Arc Fault: Command to clear an Arc Fault. Required every time the unit detects an F63 Arc Fault.

Gen Limit Power: Sets the Sol-Ark limit to keep the power drawn from the "GEN" terminal below the threshold. The inverter will reduce the charge power rate to the batteries if this value is reached.

Load Limit Power: Sets the total AC output power from the batteries to the "LOAD" terminal of the Sol-Ark. The default value is always the maximum output of the inverter production.

Grid-Peak Shaving: Sets the Sol-Ark's threshold to begin contributing power from batteries to keep the power drawn from the grid of generator connected to the "GRID" terminal, below that value.

Auto detect home Limit Sensor: Command that helps to detect the correct polarity from the CTs sensors.

CT Ratio: Ratio from CT sensor input/output, the default value is 2000:1. **⚠ DO NOT** change this value or you will void the inverter warranty.

UPS Time: Backup transfer time when there is a grid loss. 5ms for lowest transfer time.

Factory reset

Restrictions: Changes to these settings must be previously authorized by our technical support agents.

Parallel

Parallel: Enable whenever you have more than one system connected. "Master" and "Slave".

MODBUS SN: Identification number for each system configured in parallel (1,2,3,4, n).

Phase: When dealing with a 120/208V 3-Phase system, there must have a "Master" unit responsible of their own phase A, B and C.

! See section 5 "Parallel Systems" for more information

3.2 Battery Setup

The image displays four screenshots of the Sol-Ark Battery Setup menu, organized into two rows of two. Each screenshot shows a different tab of the configuration interface.

- Top Left Screenshot:** Shows the 'Batt Setup' menu with tabs for 'Batt', 'Charge', 'Discharge', and 'Smart Load'. The 'Batt' tab is active, showing 'Batt Capacity' (400Ah), 'Max A Charge' (275A), 'Max A Discharge' (275A), and 'TEMPCO' (-0mV/C/Cell). There are checkboxes for 'Use Batt V Charged', 'Use Batt % Charged', 'No Battery', 'BMS Lithium Batt', and 'Activate Battery'.
- Top Middle Screenshot:** Shows the 'Charge' tab with 'StartV' (49.0V), 'Start% (A)' (30%), 'A' (40A), 'Grid Charge' (checked), and 'Generator Exercise Cycle Day & Time' (Mon 08:00 20min).
- Top Right Screenshot:** Shows the 'Discharge' tab with 'Float V' (55.7V), 'Absorption V' (56.0V), 'Equalization V' (56.0V), '30 Days' (1.0 Hours), 'Low Bat' (47.5V), 'High Bat' (49.0V), 'Batt Reserve' (8mChrs), and 'Batt Charge Efficiency' (99.0%).
- Bottom Left Screenshot:** Shows the 'Smart Load' tab with 'Smart Load ON/Batt' (5.0V, 80%), 'Smart Load OFF/Batt' (54.0V, 80%), and 'AC couple on Batt side' (unchecked).

Batt

Batt Capacity: Battery charge capacity connected to the system; value expressed in Amp Hour (Ah).

! Batteries in series → Voltage adds up (V).

! Batteries in parallel → Capacity adds up (Ah).

Max A Charge: Sets the Max Charge rate of the batteries from solar panels. 275A max

! Rule of thumb for Lead-Acid batteries: If manufacturer does not specify rated charge amps, use 20% - 30% of battery capacity as Max A Charge.

Max A Discharge: Sets the Max Discharge rate for battery. 275A max.

For Off-Grid mode, the battery bank will discharge 120% of this value for a 10 second surge before the inverter faults to prevent battery damage.

TEMPCO: Temperature coefficient used in conjunction with the battery temperature sensor to adjust optimal voltages for lead-acid batteries.

Use Batt V Charged: Displays battery charge in terms of voltage.

Use Batt % Charged: Displays battery charge in terms of %. The inverter uses algorithms measuring power in and out to estimate a true value for state-of-charge %. It compensates for aging batteries.

No Battery: "No Battery" option MUST be selected if no battery present. A power cycle sequence is **REQUIRED** when selecting this option. (Refer to section 2.11 for power cycle instructions).

BMS Lithium Batt: Allows closed-loop communication with our tested batteries included in our "Battery Integration Guide". (Refer to www.sol-ark.com/support/)

Activate Battery: This option MUST be selected if system has batteries, especially with **Lithium** batteries.

Charge

Float V: Lower steady voltage at which the battery is maintained after being fully charged.

Absorption V: Constant voltage used to charge the battery.

- Absorption will stop at 98% of the capacity of the battery bank and then drop to the Float setpoint.
- Example: A 400Ah battery will stop charge reaching 392Ah.

Equalization V: Voltage that the system uses to generate a calculated overcharge, utilizing a higher voltage or equal to the absorption to remove the generation of sulfates in batteries. Used to balance internal cells (most Lithium batteries don't need to equalize).

Days: The period between equalization cycles.

Hours: The period taken to equalize batteries.

! If "Hours" is set to 0 hours, the system will not equalize batteries.

Gen Charge: Uses the "GEN" input of the system to charge the battery bank from a generator.

- Start V:** Voltage at which the system will AutoStart a generator to charge the battery.
- Start %:** Percentage S.O.C (state of charge) at which the system will AutoStart a generator to charge the battery.
- A:** Maximum rate of charge of the batteries from the generator (DC amps).

Grid Charge: There are two scenarios in which this option is used:

- Grid connected to "Grid" input:** The inverter will limit the charge rate to the set value in "A" and the battery will charge to 100% SOC.
- Generator connected to "Grid" input:** It will be necessary to select " GEN connect to Grid input". The system will use "Start V", "Start%" and "A" conditions to charge the battery and stop charging at 95% SOC (Adjustable upper limit if Time of Use is enabled).

Gen Exercise Cycle (Day & Time): Set a weekly generator exercise schedule. (Day of the week/time/duration length).

Gen Force: Closes the two-wire start relay. If a generator is connected to the two-wire start relay and is under automatic mode, then it will automatically start.

! *The generator must be in automatic mode if applicable and must have a two-wire start (dry-contact, normally open) connected to the Sol-Ark. To disable the Gen exercise, adjust the time duration to 0 min.*

Discharge

Shutdown: Battery voltage or % at which the inverter will shut down to protect the battery from an over discharge situation (battery symbol on the home screen will turn red).

Low Batt: Low battery voltage or % (battery symbol on the home screen will turn yellow). Stopping point for TOU.

Restart: Battery voltage or % at which AC output will resume conversion DC to AC after reaching "shutdown" voltage.

Batt Resistance: Internal resistance in mOhms of the battery bank. Used in % SOC batt calculations.

Batt Charge Efficiency: Value provided by battery manufacturer. Used in % SOC batt calculations.

Batt Empty V: Sets the empty voltage and associates this voltage to 0% charge. This value determines the lowest % SOC limit.

Smart Load

- This mode uses the "GEN" input as a load output that delivers power when the battery exceeds a user programmable threshold or when the unit is connected to the grid.
- When "**Use gen input as load output**" is enabled, the "GEN" terminal turns into an output to power high-power loads such as a water heater, irrigation pump, AC unit, pool pump, or any other loads.
- When "**On Grid always on**" is enabled, the "GEN" terminal will always output power as long as the grid is connected, regardless of battery charge.

Smart Load OFF Batt: Battery voltage or % at which the "GEN" terminal will stop outputting power.

Smart Load ON Batt: Battery voltage or % at which the "GEN" terminal will start outputting power.

Solar Power (W): Amount of PV production needed before "GEN" terminal starts outputting power.

⚠ GEN terminal is limited to 80A at 240V Off-Grid. (Do NOT exceed!)

AC Coupling Settings - (For AC Coupled Input)

- To use the "GEN" or "LOAD" input terminal as an AC-coupled input for micro inverters or string grid-tied inverters, check the appropriate box according to your connection: " For AC Coupled Input to Gen" or " AC couple on load side".
- The meaning of "Smart Load OFF Batt" and "Smart Load ON Batt" change in this mode.

Smart Load OFF Batt: The % SOC at which the AC-coupled inverter(s) are shut down when in off-grid mode.

! 90% recommended.

Smart Load ON Batt: The % SOC at which the AC coupled inverter(s) are turned on when in off-grid mode.

! 80% recommended.

To use the "LOAD" terminal for AC coupling microinverters or string grid tie inverters:

- Must select "AC couple on load side".
- ⚠** The GEN terminal cannot be used (even though the "GEN" terminal is not physically being used for this mode, AC coupling on the "LOAD" terminal prevents the use of the "GEN" terminals for any other purpose).
- Wire as shown in diagram labeled "AC Coupling in LOAD".
- !** Backup Transfer Time is extended to 2 seconds

3.3 Limiter



Limiter

The Sol-Ark 15K-2P-N inverter will simultaneously utilize different available power sources to satisfy load demand in the electrical service panels (essential loads panel / main service panel). The following work modes allow the user to determine how generated power is utilized.

Grid Sell

Grid Sell: The inverter will produce as much power as it has available from PV array according to the programming. The maximum power that can be sold to the grid will be 15,000W.

General description:

- This mode allows your inverter to sell back to the grid all the excess power generated from the PV arrays without limitation.
- The inverter will only show loads connected to the "LOAD" terminal.
- The inverter will measure all power out of the "GRID" terminal as grid sell back power.

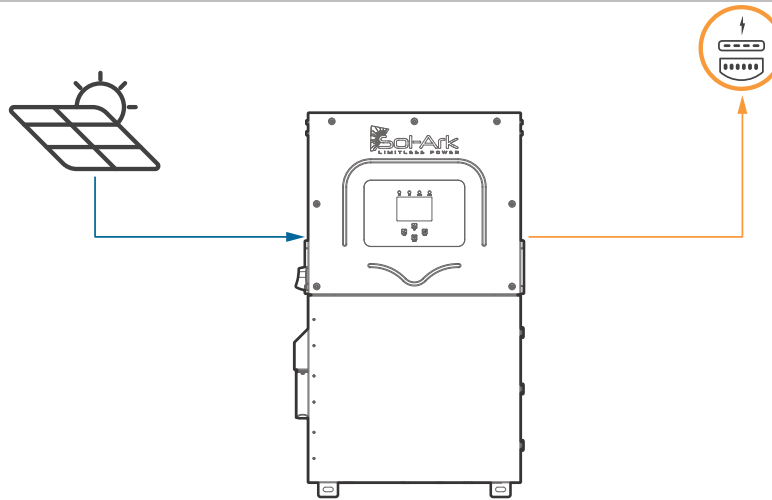


Figure 27: Grid Sell

Limited Power to Home

Limited Power to Home (Meter Zero): This mode limits the energy being produced by the inverter to satisfy the home load demand (essential load panel + main service panel). In this mode, the inverter delivers power to the "LOAD" terminal (essential loads panel) + the "GRID" terminal (main service panel). To prevent grid sell back when powering the main service panel, it is essential for the external CT sensors to be installed. These sensors allow the inverter to calculate the loads in the main service panel wired to the "GRID" terminal. This system work mode is useful for users that don't have a permit to sell back. See section 2.8 "Limit Sensors" for proper external CT installation.

General description:

- Power is delivered to the whole home without selling the excess solar back to the grid (required if no permit to sell back from the utility company).
- External CT sensors **required** for this system work mode.
- Monitored loads will be the addition of the main service panel + essential loads panel.
- Energy Priority:** 1. Solar PV Power | 2. Grid Power | 3. Batteries | 4. Generator

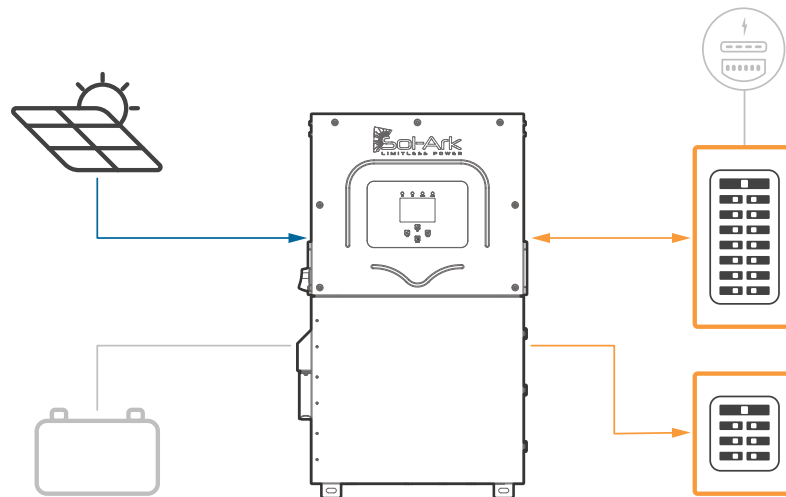


Figure 28: Limited Power to Home



This system work mode is **HIGHLY RECOMMENDED** for multi-system installs. "Limited Power to Home" allows an optimal power distribution between the parallel Sol-Ark inverters.

Limited Power to Home + Grid Sell: This mode will NOT limit solar production and will have better power distribution control with parallel systems and single inverter systems. In this mode, the inverter delivers power to the "LOAD" terminal (essential loads panel) + unlimited power to the "GRID" terminal (main service panel AND grid). The Sol-Ark will monitor grid sell back and load consumption simultaneously (with +/- 3% error from CT sensors). The CT sensors **MUST** be installed. See section 2.8 "Limit Sensors" for proper external CT placement.

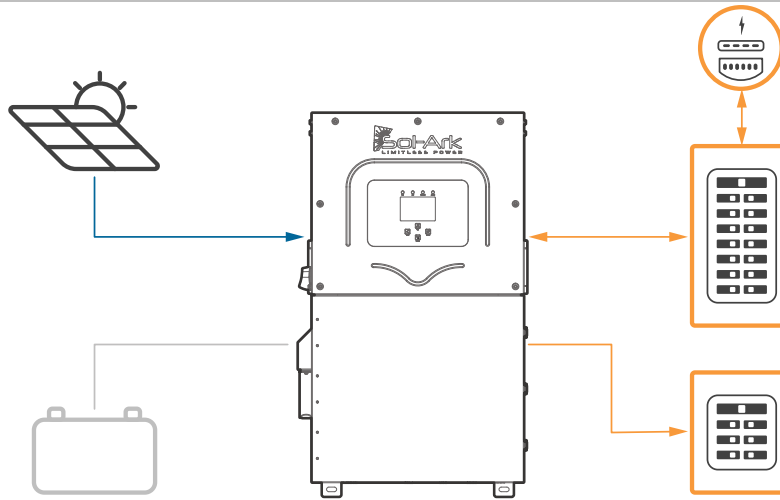


Figure 29: Limited Power to Home + Grid Sell

Limited Power to Load

Limited Power to Load: This mode limits the solar production to cover the load demand of the “LOAD” terminal (essential loads panel). In this system work mode, the system disregards the loads in the main service panel and will not deliver power to the “GRID” terminal.

General description:

- The inverter will only cover the loads connected to the “LOAD” terminal.
- It will NOT produce more power than the loads require.
- This work mode will NOT deliver power to the “GRID” terminal (will NOT sell back).
- The loads reported by the inverter will only be from the essential loads panel (“LOAD” terminal).
- This system work mode is recommended for off-grid applications.
- Energy Priority:** 1. Solar PV Power | 2. Grid Power | 3. Batteries | 4. Generator

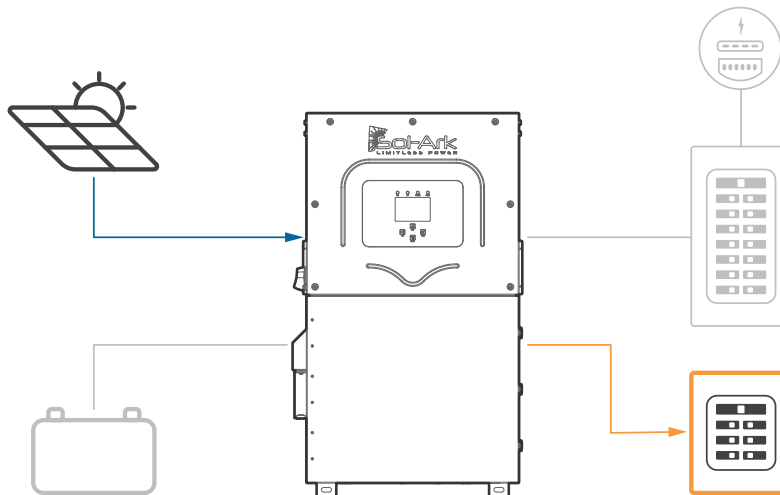


Figure 30: Limited Power to Load

Limited to Load + Grid Sell: This mode will NOT limit solar production. The inverter delivers power to the “LOAD” terminal (essential loads panel) + unlimited power to the “GRID” terminal (main service panel AND grid), however it will ONLY track the loads connected to the “LOAD” terminal, but it will sell back excess solar. If there is a main service panel in the “GRID” terminal, the inverter will NOT be able to measure the true value of the total home consumption and grid sell back. This system work mode is recommended for single inverter or for whole home backup installations.

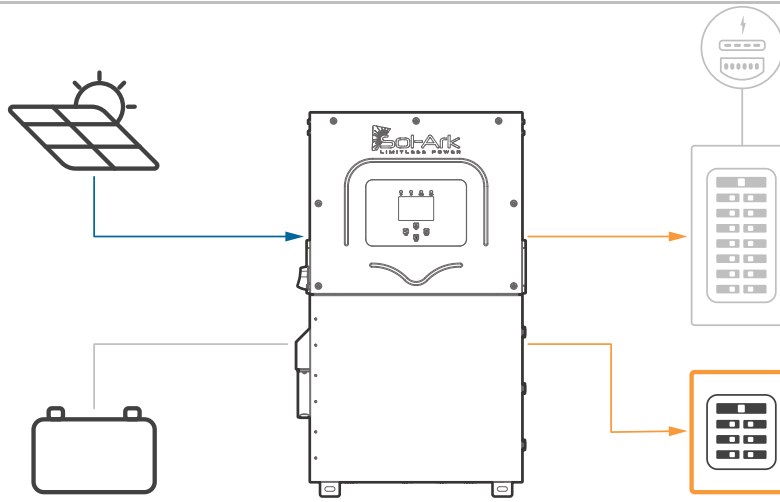


Figure 31: Limited Power to Load + Grid Sell

Time of Use

Time Of Use (TOU): Using this mode, combined with “Limited Power to Home” or “Limited Power to Load”, allows the inverter to discharge the batteries to deliver power to the home and reduce the power consumption from the grid during specific time intervals. The battery discharge will cover the calculated load demand with the threshold discharge power rate set in the “Power(W)” column. You can configure six different discharge rates (Watts) and depth of discharge from the battery (V or %).

General description:

- Uses batteries to reduce the power consumption during user defined periods.
- Energy Priority:** 1. Solar PV Power | 2. Batteries (down to programmed discharge V or %) | 3. Grid Power | 4. Generator.

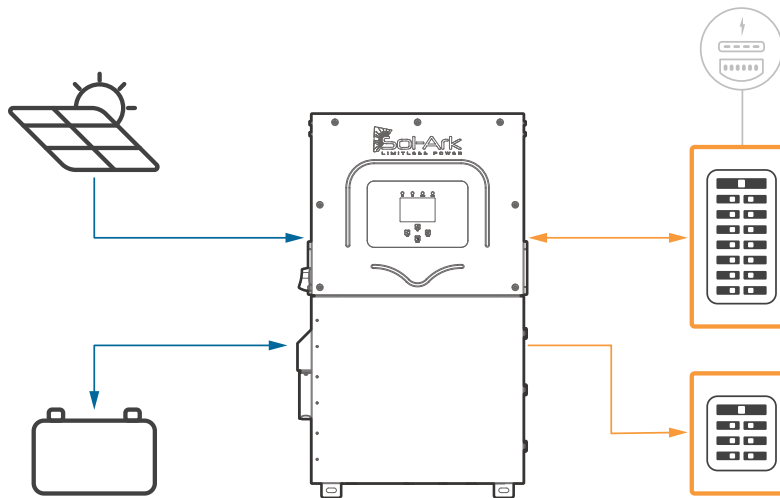


Figure 32: Limited Power to Home + TOU

Time: During these hours the system will provide power from the battery to the home or even the grid. The 6-time intervals MUST follow a chronological order. All time intervals are automatically enabled.

Power(W): This is the maximum discharge power the Sol-Ark will draw from the battery during the time intervals.

Batt: Voltage or percentage battery state-of-charge at which the system stops discharging batteries. If “ Charge” is checked, the “Batt” V / % setpoint will change its meaning and it will now be the upper limit at which the inverter charges the battery up to with an AC power source (grid or generator).

Charge: Allows the batteries to charge from an external AC power source, such as a generator or grid, during the hours selected, up to the programmed voltage or %. If the external AC power source is a generator, it is also necessary to meet the condition “Start V” or “Start %” located in the Battery Setup to begin charge from a generator. The PV array will always charge the batteries at 100% regardless of the “ Charge” box in TOU.

Sell: The “ Sell” box in TOU allows batteries to discharge and sell power to the grid at a constant programmable rate for the selected period, determined by “Power(W)”. “ Grid Sell” must also be enabled.



Do **NOT** enable “Charge” and “Sell” at the same time

Other

GEN Connect to Grid Input: Enable this option if you have a generator connected to the “GRID” terminal.

Zero Export Power: Minimum power imported from the grid. Helps avoid selling back to the grid by ensuring constant grid consumption. The value can be set between 1 - 100W (recommended 20W).

Batt First: Set the charge priority for the system, the solar PV power will be delivered first to charge the battery (it is recommended to check “Batt First” as it is the most efficient option).

Load First: Set the charge priority for the system, the solar PV power will be delivered to cover the loads consumption first, then the remaining will charge the battery. Only recommended for very specific situations.

3.4 Grid Setup



Grid Selection

General Standard: Allows more flexible adjustments to the grid parameters, such as widening frequencies and voltages to keep the inverter connected to the grid (useful for off-grid systems with backup generators)

UL 1741 & IEEE1547: Enables sell compliant functionality.

UL1741SB: Enables F(W), voltage, and power factor control to sell back to utility and expands compatibilities. Useful for AC coupled inverters. Expands grid compliances.

Grid Frequency: Frequency of the AC sine wave.

Grid Type: Three different grid type options; 220V Single Phase, 120/240V Split-Phase and 120/208V 3-phase.

Grid Reconnect Time: The amount of time, in seconds, the inverter will wait before reconnecting to the grid.

Power Factor: The power factor can be adjusted from ± 0.8 to 1.0 (Call technical support if you need to modify this value).

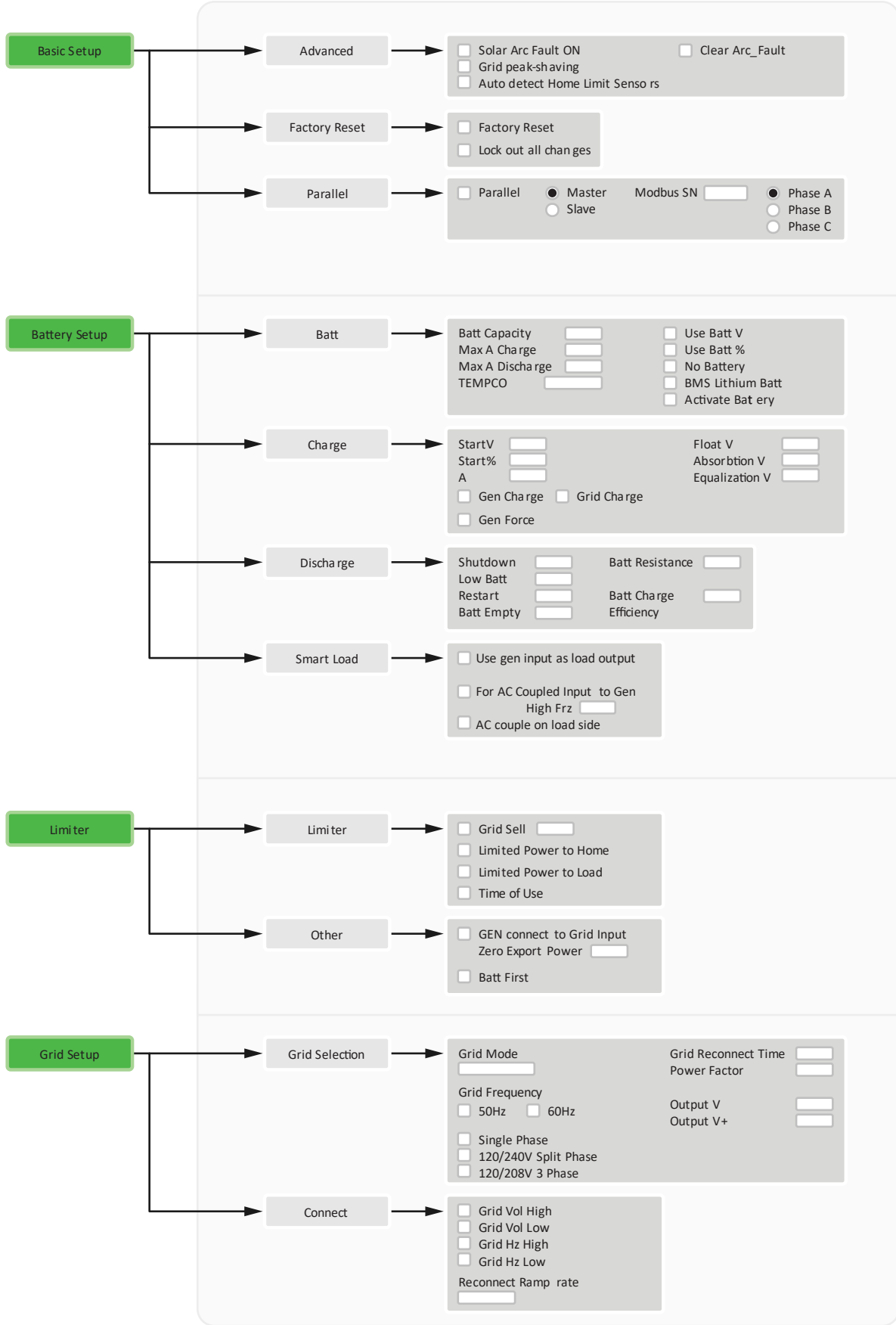
Connect

Normal connect: Protect parameters for the grid. This can only be used with “General Standard”. The voltages shown in this menu correspond to L-L voltage (Maximum voltage difference between lines of +/- 10V before disconnection).

Reconnect: Protect parameters for the grid after a grid disconnect. This can only be used with “General Standard”. The voltages shown in this menu corresponds to L-L voltage (Maximum voltage difference between lines of +/- 10V before disconnection).

3.5 Programming Guide

The next diagram shows the most used/common parameters for programming the unit Sol-Ark 15K-2P-N.




4. Installation Tips

Off-Grid Installation Tips

1. Limit sensors (CTs) are not required for completely off-grid installations unless using **"Grid Peak Shaving"** with a generator connected to the **"GRID"** input terminal.
2. It is recommended for generators to be connected to the **"GRID"** terminal so that the **"Smart Load"** function of the **"GEN"** terminal can be used.
3. When off-grid, there is no need for a transfer switch. Connect the **"LOAD"** output of the Sol-Ark to the whole home.
4. Do not use **"Grid Sell"** mode when Off-Grid. **ONLY "Limited Power to Load"** (default) in systems with only 1 inverter, and **"Limited Power to Home"** with **parallel systems**.
5. The **"Auto Gen-Start"** function is a dry-contact, normally open 2-wire switch (closes the circuit when needing charging).
 - o Auto Gen-start will be triggered when the battery voltage (V) or percent (%) reaches the level programmed in the Battery Setup menu. Then, the generator will continue to charge the batteries until they are about 95% full before turning the generator off. Without Time of Use, this 95% value is not programmable.
 - o When using the Sol-Ark to control a generator, an exercise function will turn on the generator once a week on Monday mornings at 8 AM for 20 min. This exercise is to maintain the internal generator batteries.
6. When using a Generator in an off-grid situation, we recommend changing the **"Grid Mode"** to **"General Standard"** and changing the **"Grid Reconnect Time"** under the **"Sell Control"** tab of the Grid Setup menu to 30 seconds.
7. In the **"Connect"** tab under **"Reconnect"** and **"Normal connect"**, change the frequency to a range of 55Hz - 65Hz. Widening the range will reduce the number of disconnections from fluctuations in a generator's frequency.
8. Under the **"Grid Setup"** menu → **Limiters** → **Other**, make sure to check the **GEN connected to Grid Input** box.
9. If planning on using a wind turbine in conjunction with the Sol-Ark 15K, the turbine must have a 48V charge controller with a dump load to prevent battery overcharging. This charge controller must be connected directly to the battery bank of the Sol-Ark.

Grid-Tie and No Battery Install Tips (Passthrough mode)

1. Under **"Battery setup"**, select **"No Battery"** & disable **"Activate Battery"** (the system will fault and start beeping).
2.  A complete **Power Cycle IS REQUIRED** when changing the battery mode to **"No Battery"** (see section 2.11 **"Power cycle Sequence"** for detailed instructions).
3. Under **"Grid Setup"**, select **"Grid Sell"** and disable all other modes.
4. Touch the Battery Icon to see the Detailed Volts View to verify your inputs & outputs

4.1 Battery Charge Controller

4-Stage Charging

The MPPT has a 4-stage battery charging algorithm for rapid, efficient, and safe battery charging. The next figure shows the stage sequence.

Bulk Charge Stage

In the Bulk Charge stage, the battery is not at a 100% state of charge and has not yet reached the Absorption voltage setpoint. The controller will deliver 100% of available solar power to recharge the battery.

Absorption Stage

When the battery has reached the absorption voltage setpoint, the Sol-Ark inverter uses constant-voltage regulation to maintain battery voltage at the absorption setpoint, preventing overheating and excessive battery gassing. The battery is allowed to come to a full state of charge at the absorption voltage setpoint. Absorption lasts until the battery charge amperage (A) rate reaches 2% of the programmed capacity (Ah).

Float Stage

After the Absorption stage charges the battery fully, the MPPT reduces the battery voltage to the float voltage setpoint. If the batteries have 100% charge, there can be no more chemical reactions and all the charging current turns into heat and gassing. The Float stage provides a meager rate of maintenance charging while reducing the heating and gassing of a fully charged battery. The purpose of the Float stage is to protect the battery from long-term overcharge.

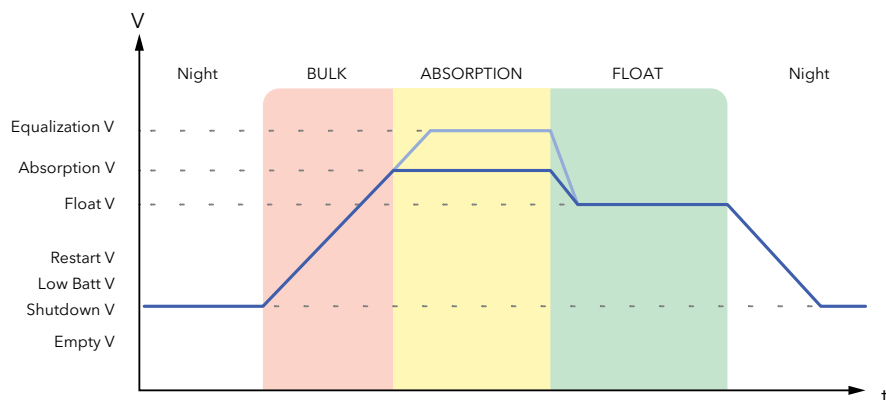


Figure 33: Charge controller curve

Battery Charging Setpoint Examples (48V Nominal)

Battery Type	Absorption	Float	Equalize (Every 30 days for 3hr)
AGM / PCC	57.6V	53.6V	57.6V
Gel	56.4V	54.0V	
Wet	59.0V	55.0V	59.0V
Lithium	54.6V	54.3V	-

⚠ Follow all battery manufacturer-specified values to ensure proper charging and discharging

Calculating Battery Bank Amp-Hours Examples (AGM)

# of batteries	Voltage per Battery	Ah per battery	Ah @48V (Chain of 4 batteries of 12V in series)	Max Charge Discharge (A)
4	12V	230Ah	230Ah	100A
8	12V	230Ah	460Ah	200A
12	12V	230Ah	690Ah	275A

4.2 Battery Communication with MODBUS/CANBUS

⚠ Any damage caused by the improper use of the communication protocols (CANBUS or MODBUS) will not be covered by warranty. Modbus map is available upon request for "READ" operations only. Contact technical support at support@sol-ark.com to obtain the MODBUS map.

RJ-45 Configurations

The Sol-Ark 15K-2P-N inverter achieves battery communications through a single RJ-45 port labeled "Battery CANBus". This port combines the RS-485 and CAN pin configurations shown below. Both "Modbus RS485" and "Battery CANBus" ports are capable of Modbus communication.

Pin	RS485	CAN
1	RS-485 A+	--
2	RS-485 B-	--
3	--	--
4	--	CAN Hi
5	--	CAN Lo
6	GND	GND
7	RS485 A+	--
8	RS485 B-	--

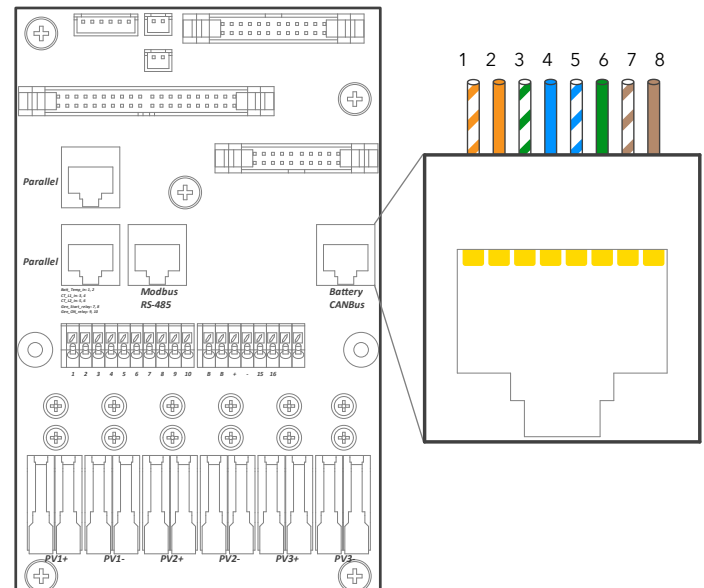


Figure 34: RJ-45 port configuration

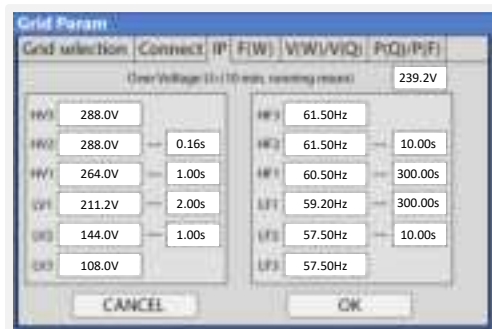
! Complete battery integration guide of supported battery communications can be found at: www.sol-ark.com/support/

External MODBUS Devices

If an external device utilizes **BMS Lithium Batt 00**, one must change the **Modbus SN** of the inverter to **01** as the default value is 00.

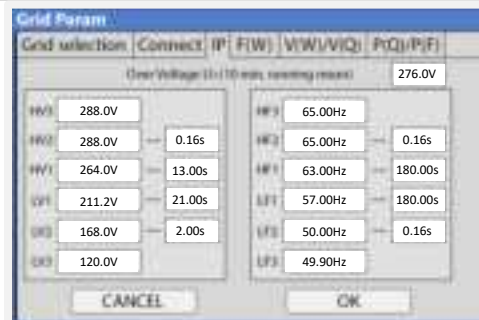
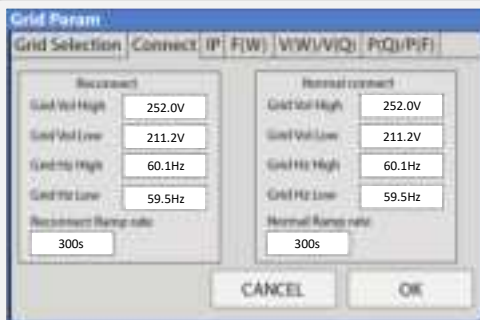
4.3 Grid Compliance Settings

Puerto Rico Grid Compliance Settings

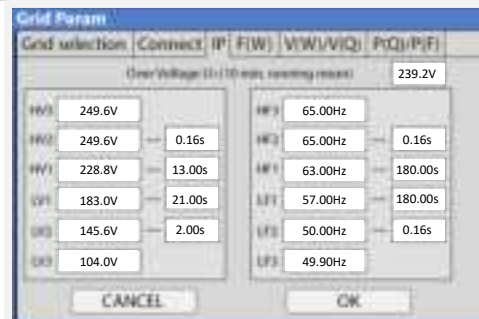
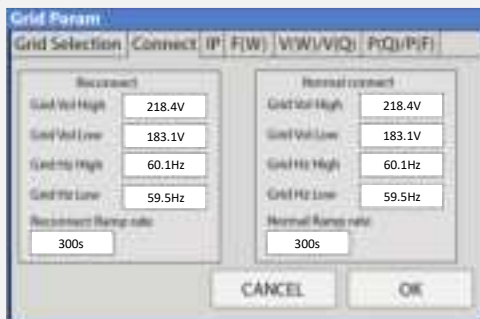


HECO Grid Compliance Settings

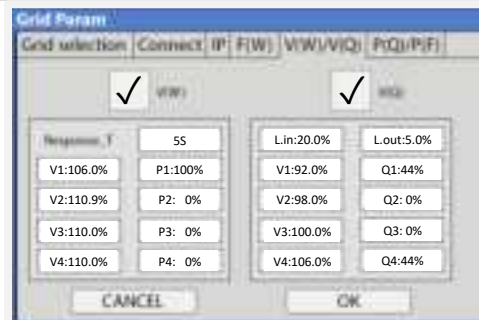
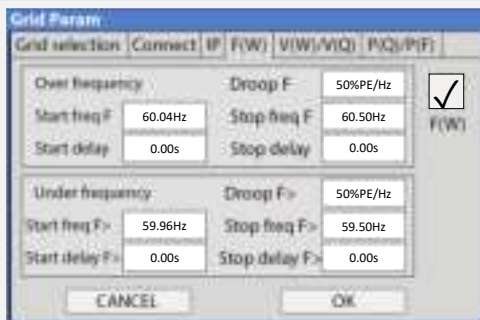
120/240V



120/208V



Frequency-Watt, Volt-Watt and Volt-Var



5. Parallel Systems

5.1 Before Enabling Parallel Operations

- Make sure all units in parallel have the same software version by verifying the **"COMM"** and **"MCU"** numbers on System Setup.
- Go to <https://www.sol-ark.com/software-update/> to schedule an update or call/email Tech Support for assistance: support@sol-ark.com
- ⚠️** Parallel systems **REQUIRE** a joint battery bank. If you do not have a battery, keep all Sol-Ark's **OUT** of parallel and set every System to **"Grid Sell"** Mode.
- All INPUTS/OUTPUTS must be shared among **ALL** parallel inverters, with the exception for DC solar inputs.

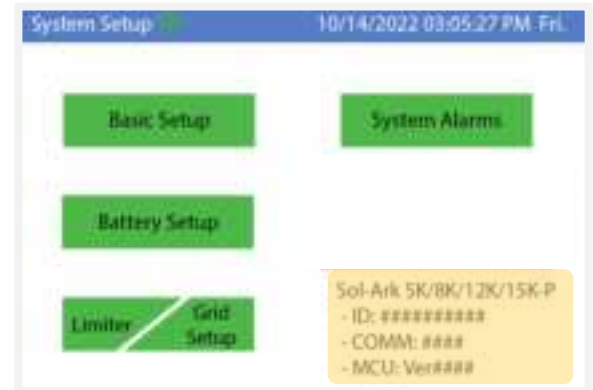


Figure 35: Software version check

DIP Switch Configuration for Parallel Systems

In parallel systems, set the "DIP Switches" seen in the figure below, according to the table below.

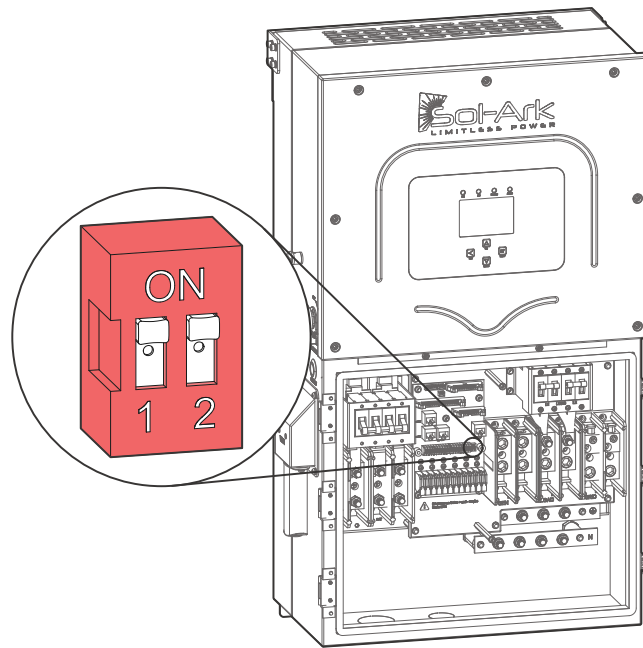


Figure 36: Sol-Ark DIP switches

Inverter 1 (Master)	Inverter 2	Inverter 3	Inverter 4	Inverter 5	Inverter 6	Inverter 7	Inverter 8
OFF							
! ON	! ON						
OFF	ON	OFF					
OFF	ON	ON	OFF				
OFF	ON	ON	ON	OFF			
OFF	ON	ON	ON	ON	OFF		
OFF	ON	ON	ON	ON	ON	OFF	
OFF	ON	ON	ON	ON	ON	ON	OFF

! Parallel systems with 2 inverters must have their DIP switches on the ON position

Parallel Systems Sol-Ark 15K-2P-N @ 120V/240V Split-Phase

# of inverters in parallel	Continuous output power with PV (kW)	Continuous output power with batteries (kW)	Grid "Pass Through" (A)	Peak power 10 sec (kVA)
1	15	12	200	24
2	30	24	400	48
3	45	36	600	72
4	60	48	800	96
5	75	60	1000	120
6	90	72	1200	144
7	105	84	1400	168
8	120	96	1600	192
9	135	108	1800	216
10	150	120	2000	240
11	165	132	2200	264
12	180	144	2400	288

Parallel Systems Sol-Ark 15K-2P-N @ 120V/208V 3-Phase

# of inverters in parallel	Continuous output power with PV (kW)	Continuous output power with batteries (kW)	Grid "Pass Through" (A)	Peak power 5 sec (kVA)
1 (only 2 phases)	13	12	200	24
2 (all phases but unbalanced)	26	24	400	48
3	39	36	400	72
6	78	72	800	144
9	117	108	1200	216
12	156	144	1600	288

5.2 Parallel Systems Programming Sequence

1. Program each one of the units for parallel under "Basic Setup" → Parallel".
2. Assign a System as "**Master**" | **Modbus SN: 1**
3. Assign all other units as "**Slave**" | **Modbus SN: 2,3,4...etc.**
 - o If system is 3-phase, there must be a master for each phase (Master Phase A, Master Phase B, Master Phase C)
4. Connect communication cables between the inverters using the RJ45 cable (yellow ethernet cable) in daisy-chain configuration between ports: "Parallel 1" or "Parallel 2" from Master into Slave.
5. Perform a power cycle (see section 2.11 "Power Cycle Sequence" for power cycle sequence instructions).
6. Once shut down completely, turn on the "Slave" units **FIRST** working backwards. Then turn ON the "Master" **LAST**.
7. Inverters will likely fault momentarily with F29 and F41 codes until all inverters are ON.
8. REMEMBER: All inverters must be connected to the **SAME BATTERY BANK**.



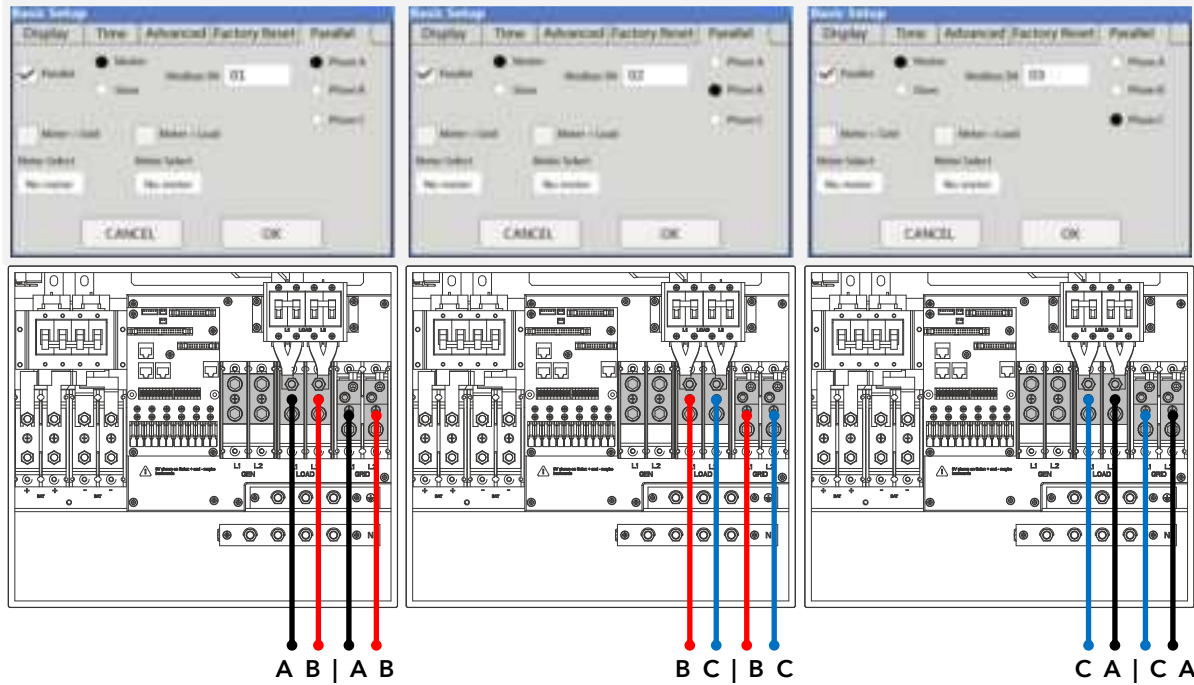
When integrating a generator, it must be connected to all the systems in parallel. The inverter assigned as "Master" will control the two-wire start feature



Figure 37: Parallel setup tab

Parallel Configuration (Example on a 3 Phase System-Balanced). Phase A-B-C

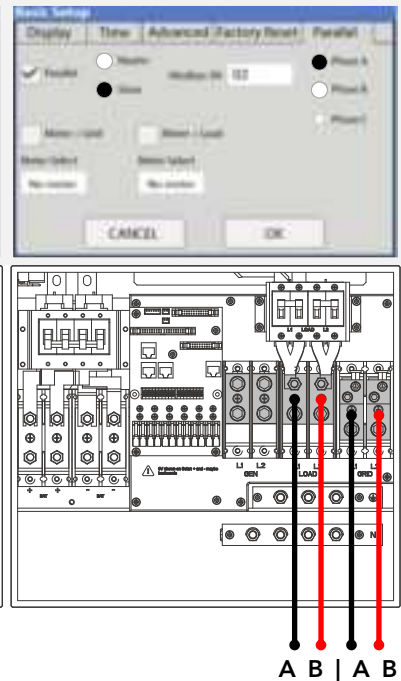
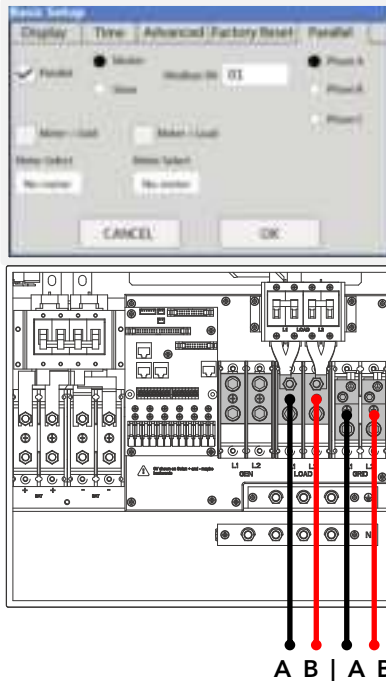
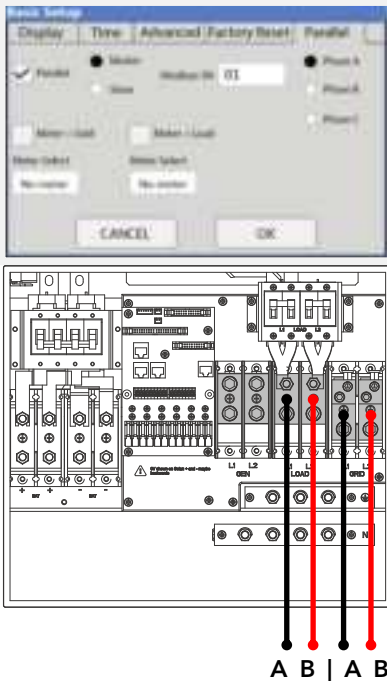
A 3-Phase balanced system requires at least 3 Sol-Ark Units. Programming and wiring should follow the below images.

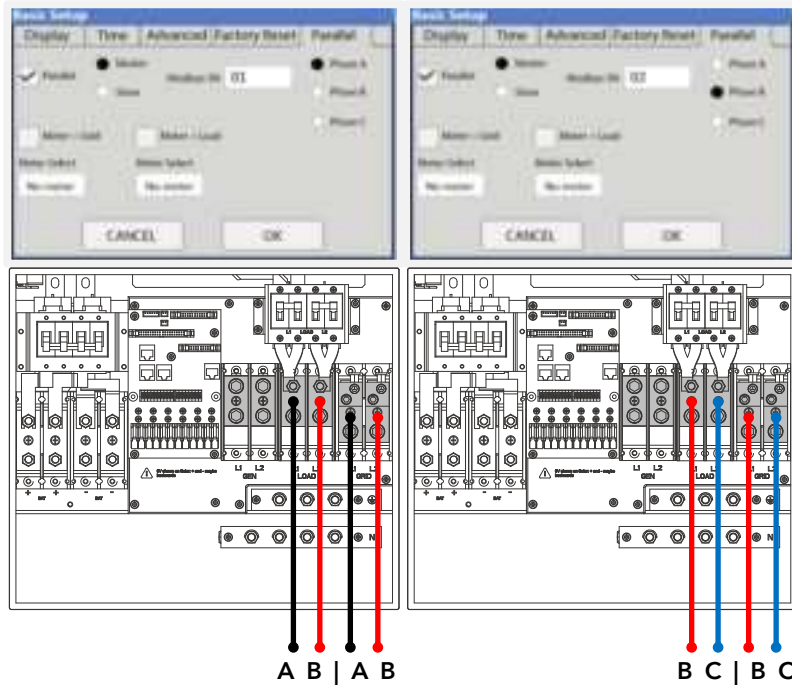


Examples of 3-Phase Parallel Configurations

1 inverter @ 120/208V
Using 2 phases of 3

2 inverters @ 120/208V
Using 2 phases of 3





5.3 Three-Phase Systems: Programming and Troubleshooting

3-phase systems with multiple Sol-Ark inverters must be programmed according to the table below:

# of inverters	Programming
2	Master Phase A 01 Master Phase B 02
3	Master Phase A 01 Master Phase B 02 Master Phase C 03
6	Master Φ A 01, Slave Φ A 02 Master Φ B 03, Slave B 04 Master Φ C 05, Slave Φ C 06
9	Master Φ A 01, Slave Φ A 02, Slave Φ A 03 Master Φ B 04, Slave Φ B 05, Slave Φ B 06 Master Φ C 07, Slave Φ C 08, Slave Φ C 09

Troubleshooting Guide with Phase Sequence

⚠ If the screen of your Sol-Ark inverter shows the error shown below, ensure the phase sequence follows **AB-BC-CA** convention. The message "Grid Phase Wrong" is displayed when the inverter does not detect the correct phase rotation. This situation can cause overloads faults in the system (F18, F26, F34) even with the "LOAD" disconnected and **WILL CAUSE DAMAGE** to the equipment if it is not corrected.

	L1	L2
Inverter (1)	A	B
Inverter (2)	B	C
Inverter (3)	C	A

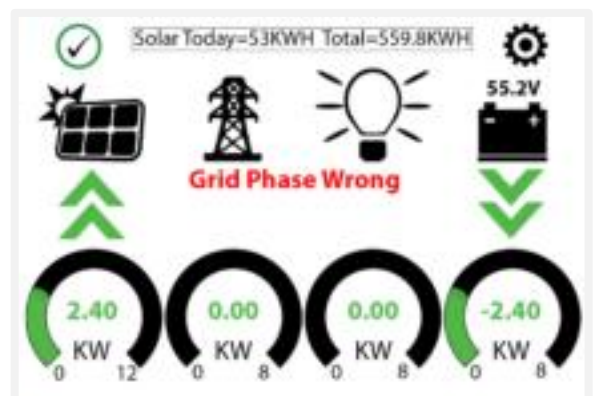


Figure 38: Grid phase wrong error

How to find an incorrect phase if prompted "Grid Phase Wrong"?

- Measure L1 GRID of inverter (1) to L2 GRID of inverter (3). Should be 0Vac.
- Measure L2 GRID of inverter (1) to L1 GRID of inverter (2). Should be 0Vac.
- Measure L2 GRID of inverter (2) to L1 GRID of inverter (3). Should be 0Vac.
- Same process should be done for LOAD side.
- Measuring voltage different than 0Vac means the measured lines are not the same phase.
- **Sol-Ark can only receive direct rotation "C" (clockwise).**

Be sure to check both, GRID and LOAD terminal connections; both must be correct. If the error persists you will need to check your AC connection beyond the inverter and you will need to verify that the phases are correctly labeled from your meter.

**In 3 phase systems it is recommended to use a rotational tester (1-2-3, A-B-C).*

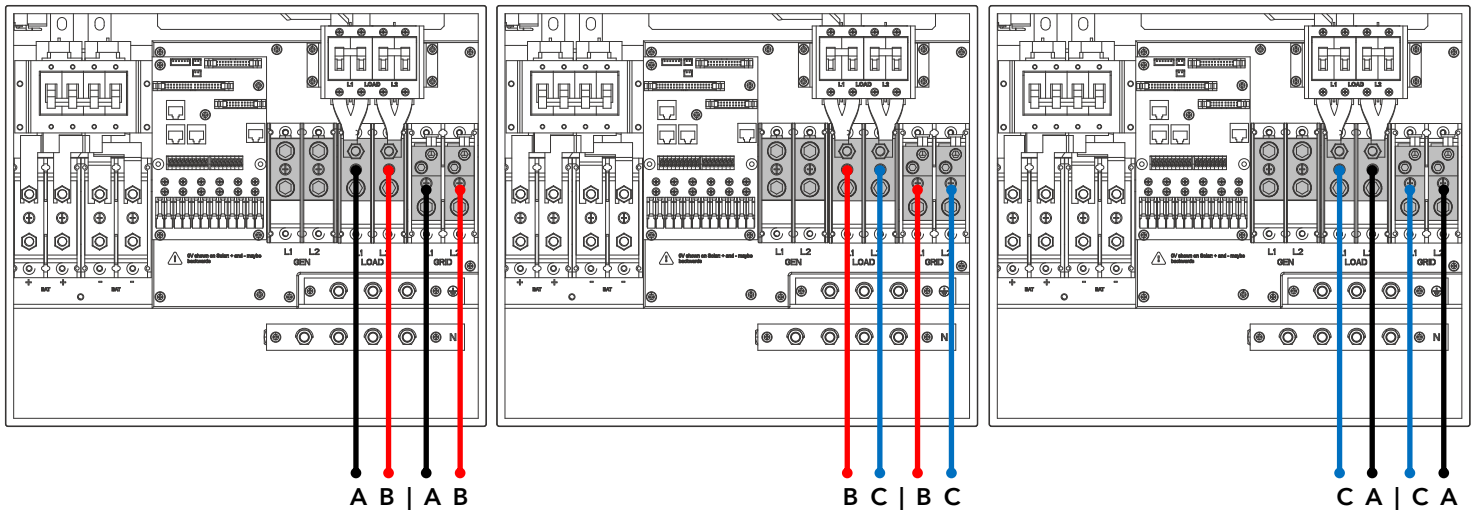


Figure 39: Example of correct phase sequence



If an inverter goes into a fault state, all other units will stop and follow. The system will automatically self-reboot. If the system faults 5 consecutive times, it will stop completely and it will require a manual restart. See section 2.11 "Power cycle sequence" for detailed instructions.

STEP 1: Create a "Plant"

A. Download the app for smart phones - "PV Pro"



a) iPhone IOS



b) Android

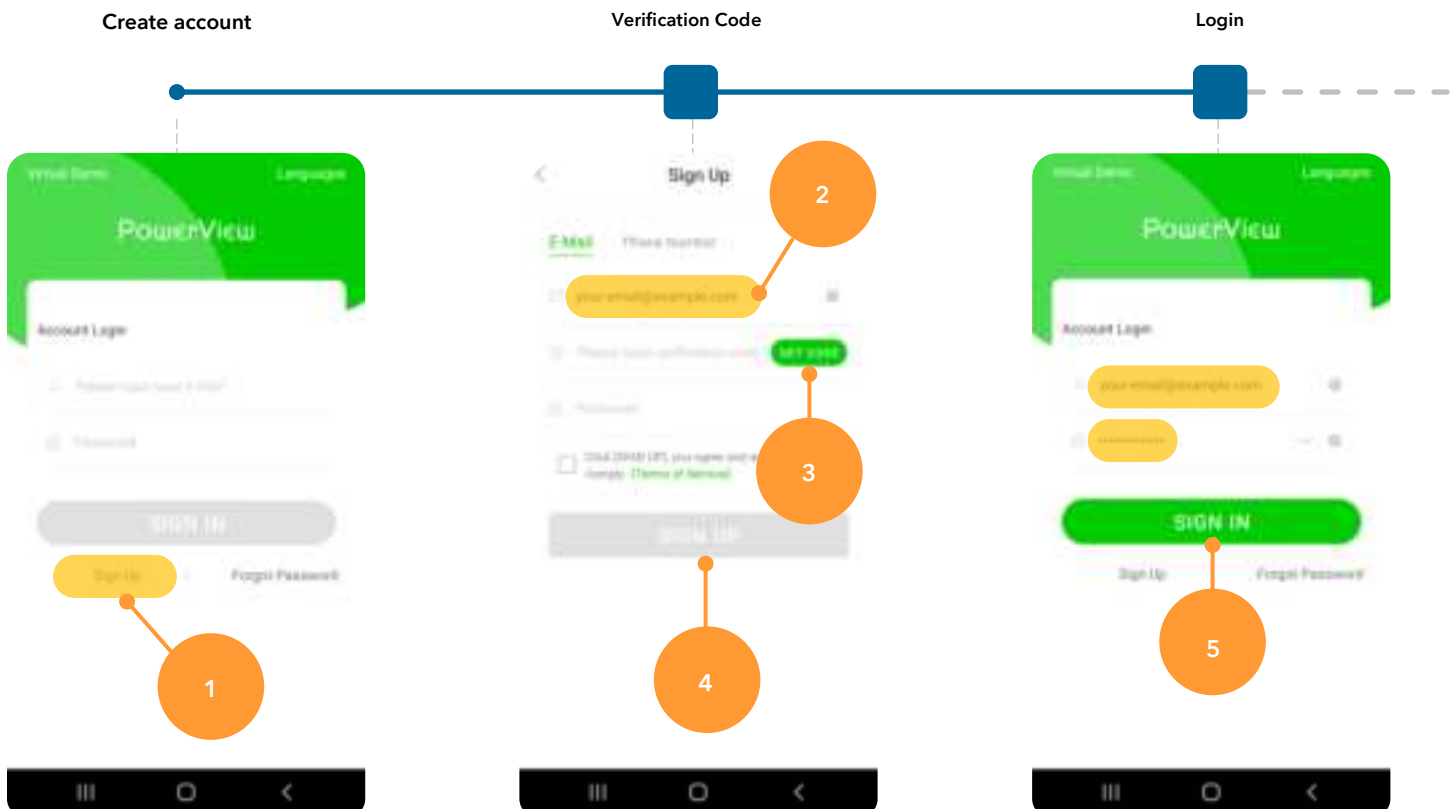


Installers

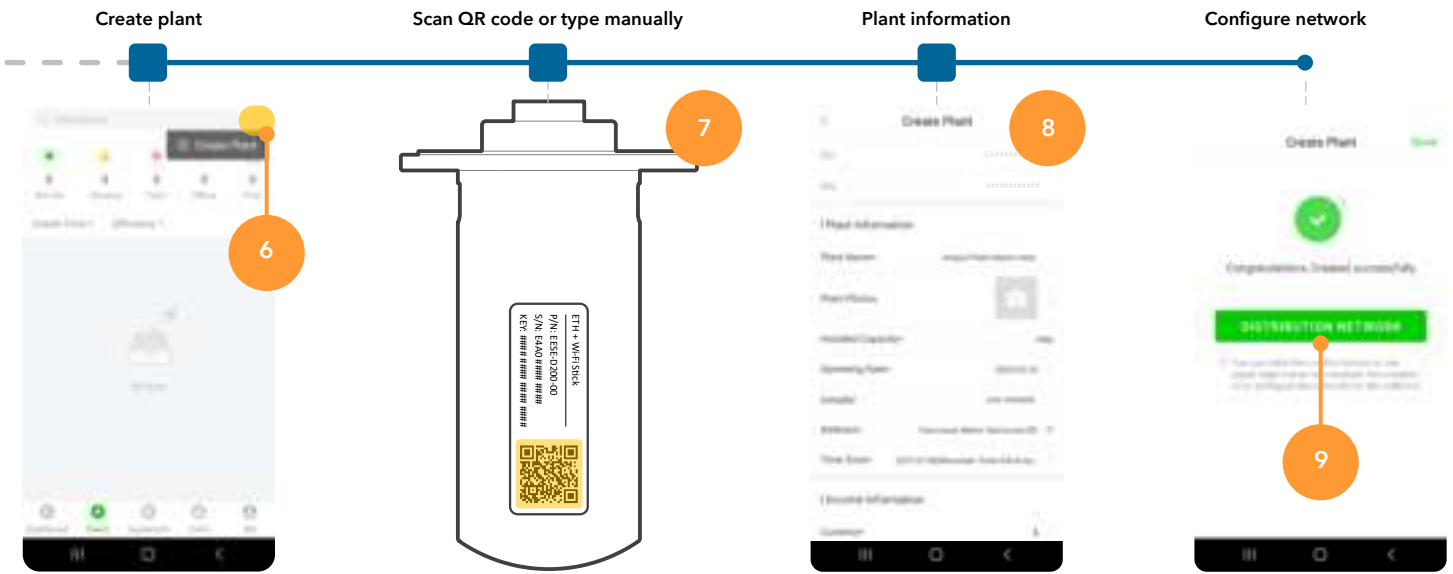
It is recommended that the installer creates the plant and share it later with MANAGER permission to the owner of the system. Once created, the installer or the homeowner can share the plant and assign Manager permissions on "My Plants" → "... " → "Share" → "Add Account".

TIP: If you want to share a plant, a PowerView account with the new email must be created.

B. Create PowerView / PV Pro account and login.

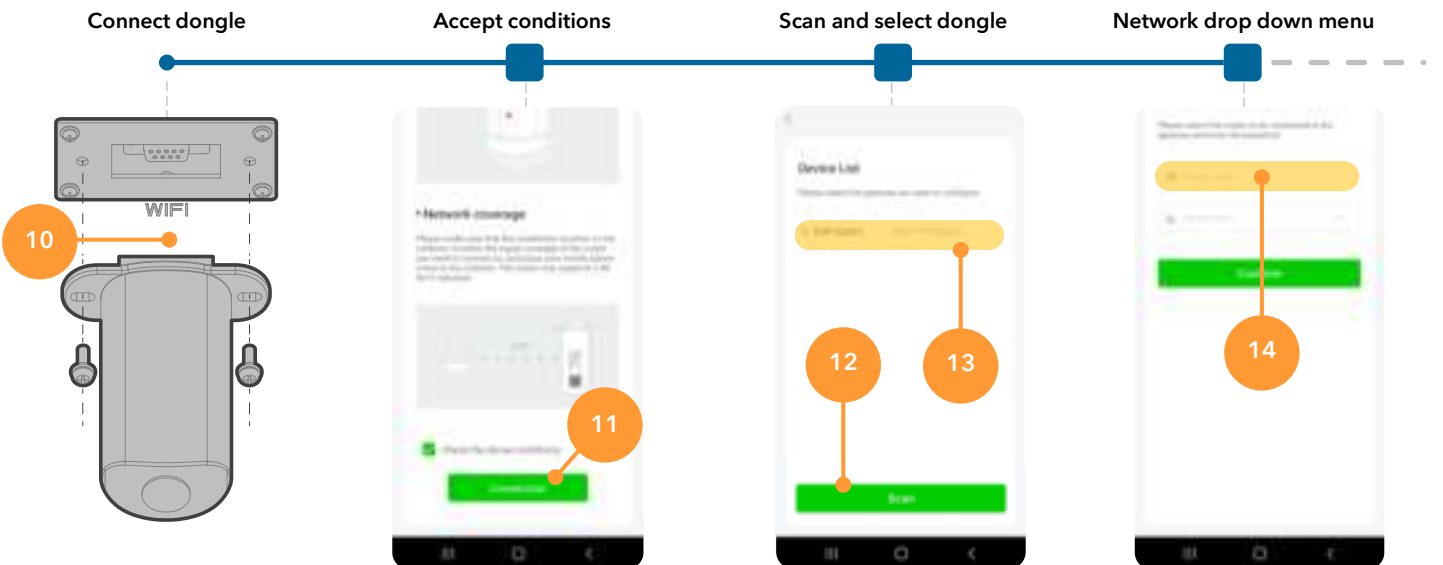


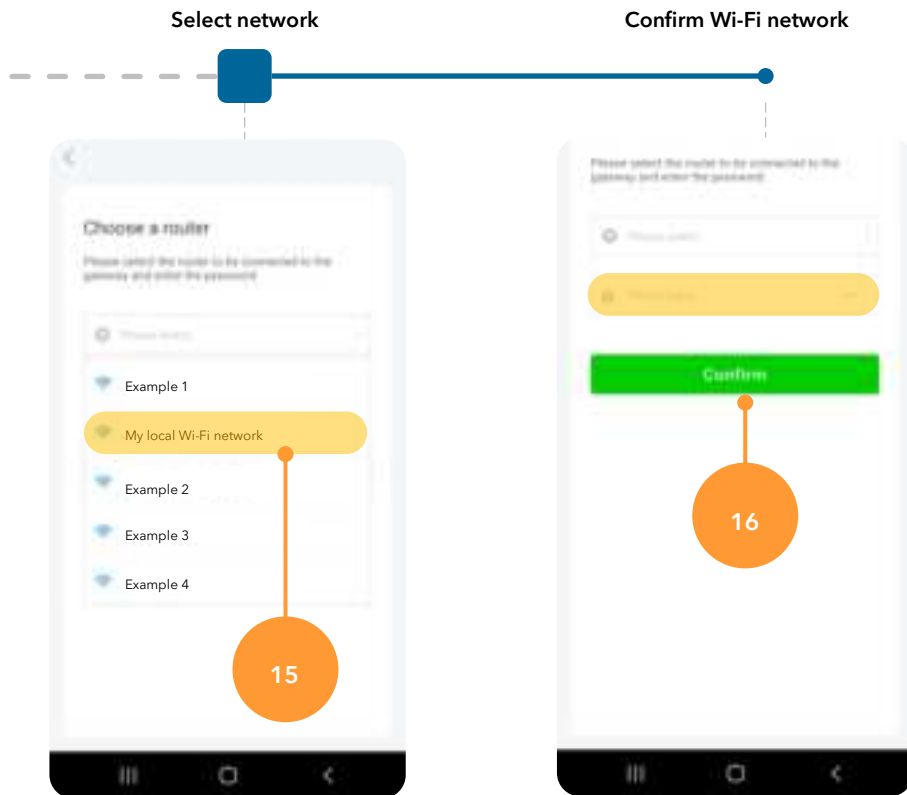
C. Create Plant.



STEP 2: Configure Wi-Fi network though PV Pro

D. Configure Wi-Fi network.





STEP 3 (Optional): Configure Wi-Fi Network Through IP Address

- If setting up a Wi-Fi connection through the "Distribution Network" at the end of step C was skipped, you can still configure a Wi-Fi network through an IP address.
- On your Smart Phone or Computer go to: **Settings** → **Wi-Fi** → Select the **EAP-#####** network → **Password= 12345678**
 - The EAP-##### network contains the last 5 digits of the Dongle Serial Number. You can find this number on the label.
- Once your device is connected to the Dongle you will get the following message ("Connected without internet").

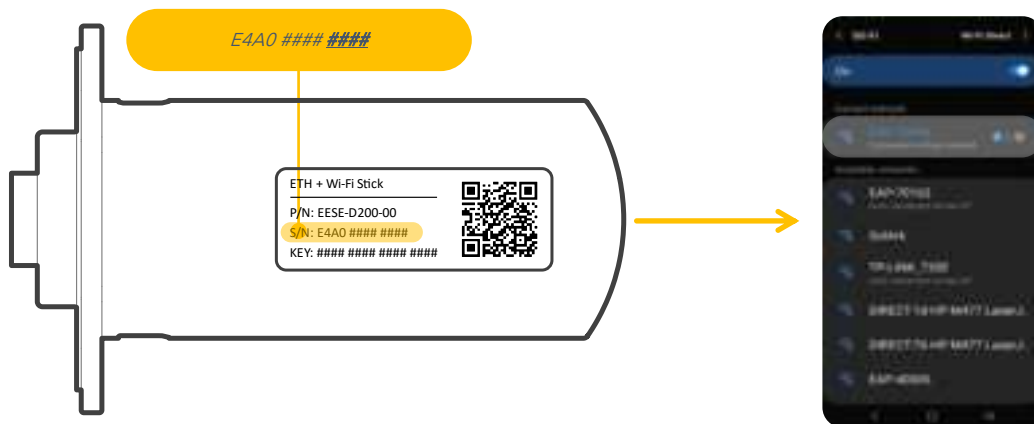
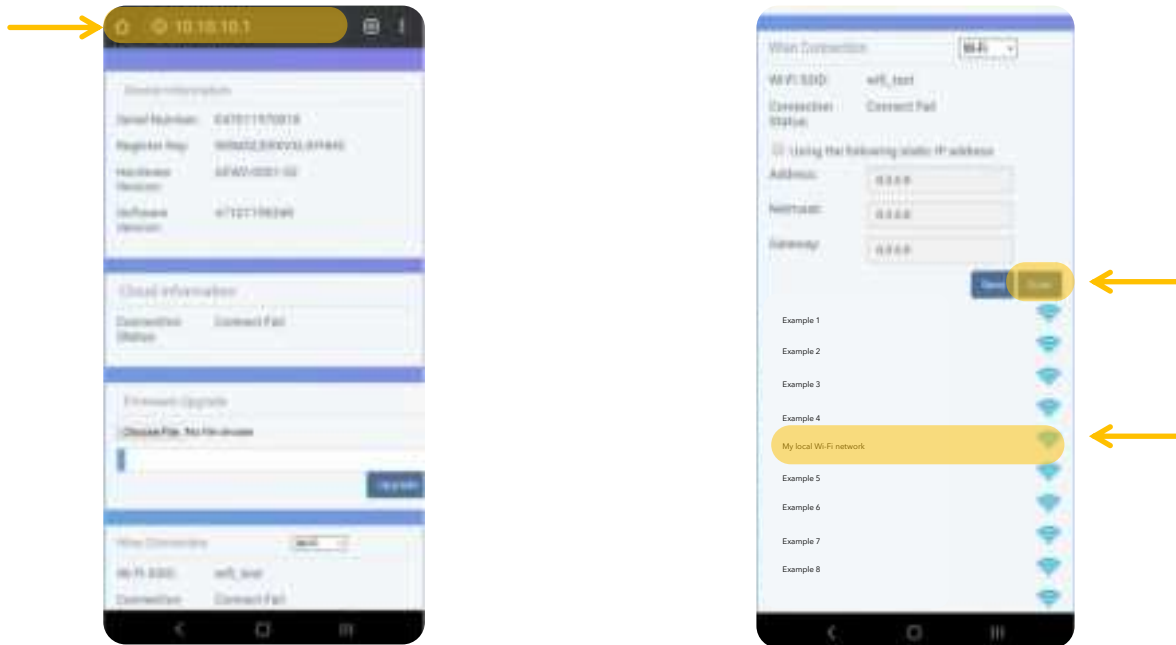


Figure 42: E4A0-##### serial number and EAP network

NOTE: The Wi-Fi dongle does NOT provide internet access. It needs an external internet provider to connect to.
The dongle is compatible with Wi-Fi signal broadcasted at 2.4 GHz (it is not possible to use 5G)

- D. Once your device is connected to the dongle, open an internet browser (Safari, Google, Chrome, etc.)
- E. On the address bar (http://.....), type the following IP address: **10.10.10.1** as shown in the figure below. If you can't access the configuration page, try again with a different device or computer.
- F. Scroll down to the "Wlan Connection" section.
- G. Press the "Scan" button to search local networks.
- H. Select Home network and input personal credentials.
- I. Select "Connect".
- J. **Do NOT select the EAP-#### network as that's the dongle itself.**



a) Internet browser IP address b) Wi-Fi network scan
 Figure 43: IP address setup page

- K. Press "Save" to save your information.
- L. Wait a moment (5 min) for the dongle to connect.

If successful, you should see a red and green light on the dongle showing a solid connection.

- o **RED LED:** Connected to Sol-Ark and has power.
- o **GREEN LED:** Connected to router and server.
- o **FLASHING GREEN LED:** Connected to router but not server (usually a VPN or Firewall issue, ports 80 and 51100 must be enabled).

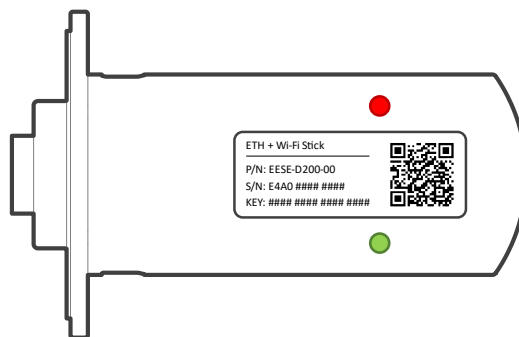


Figure 44: Wi-Fi dongle LED indicators

! Connecting the Wi-Fi dongle using the IP address 10.10.10.1 to your home Wi-Fi network is only meant to provide internet access to the inverter. **You must still create a PowerView account**

You can access PowerView on a computer with the following link:
www.mysol-ark.com

7. Wiring Diagrams



These Wiring Diagrams are examples of common use-cases for Sol-Ark inverters. Wiring Diagrams should always be drawn to meet local electrical code and authorized jurisdiction requirements. Sol-Ark does not provide custom diagrams; however, you may contact support@sol-ark.com for any questions about existing Wiring Diagrams

Sol-Ark 15K-2P-N Off-Grid Standard Wire Diagram 120V/240V

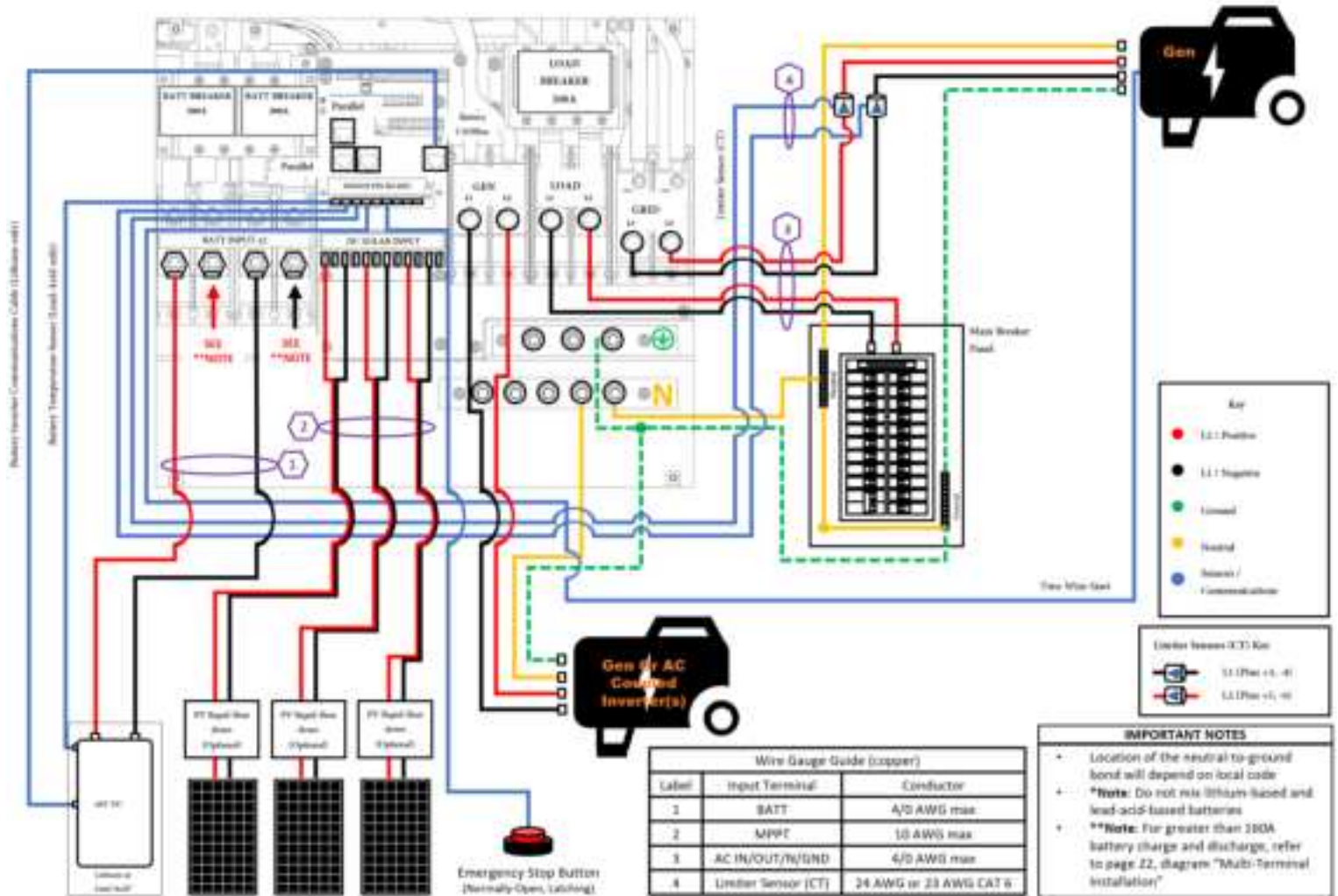


Diagram 1

Sol-Ark 15K-2P-N Standard Wire Diagram 120V/240V

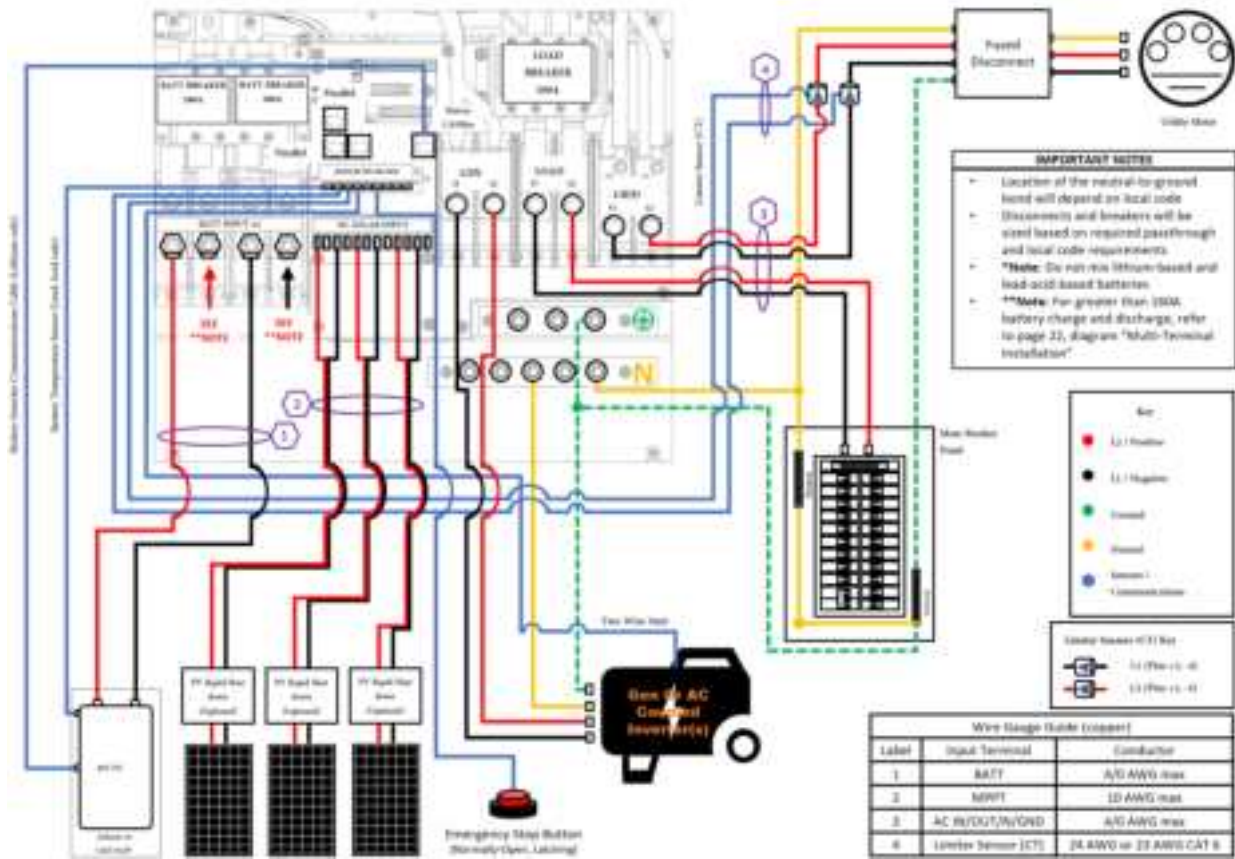


Diagram 2

Sol-Ark 15K-2P-N Standard Wire Diagram 120V/240V with Bypass Transfer Switch

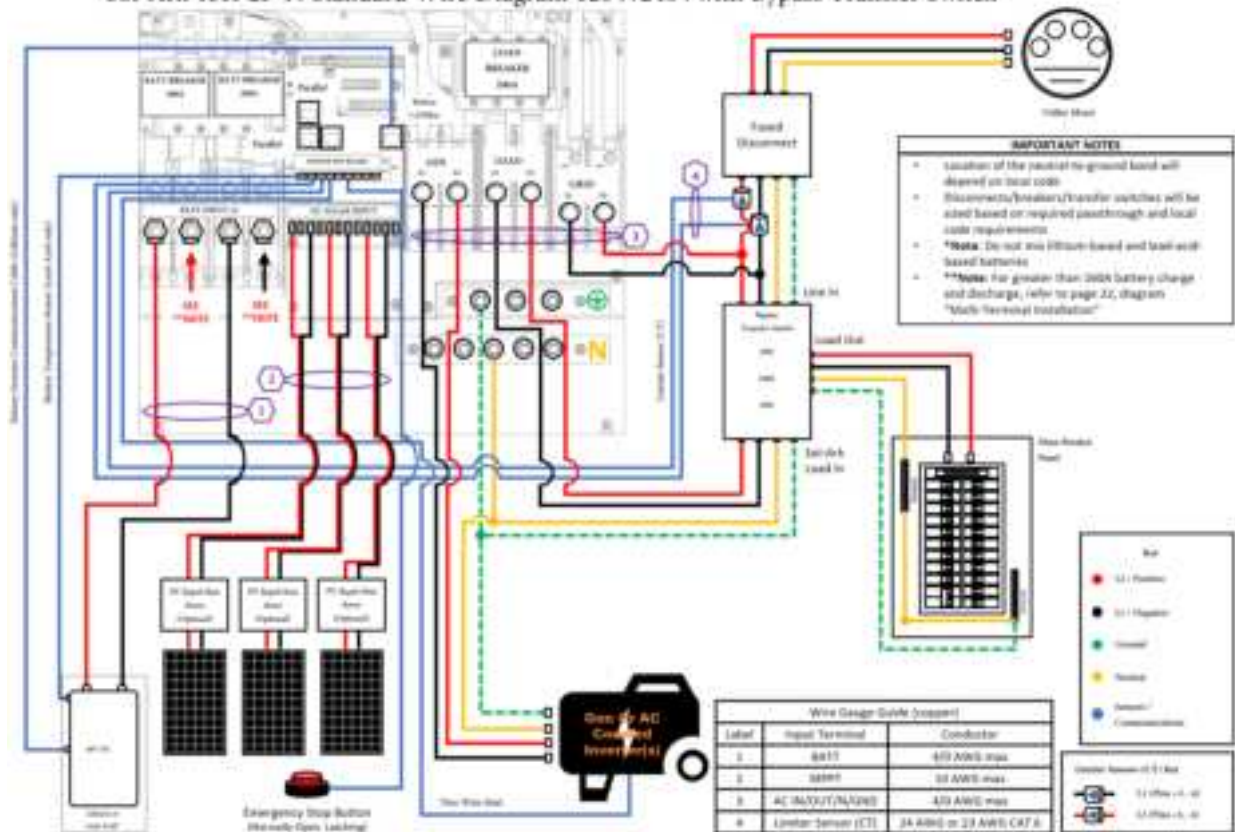


Diagram 3

GEN-Side AC-Coupled Micro Inverters (120/240V)

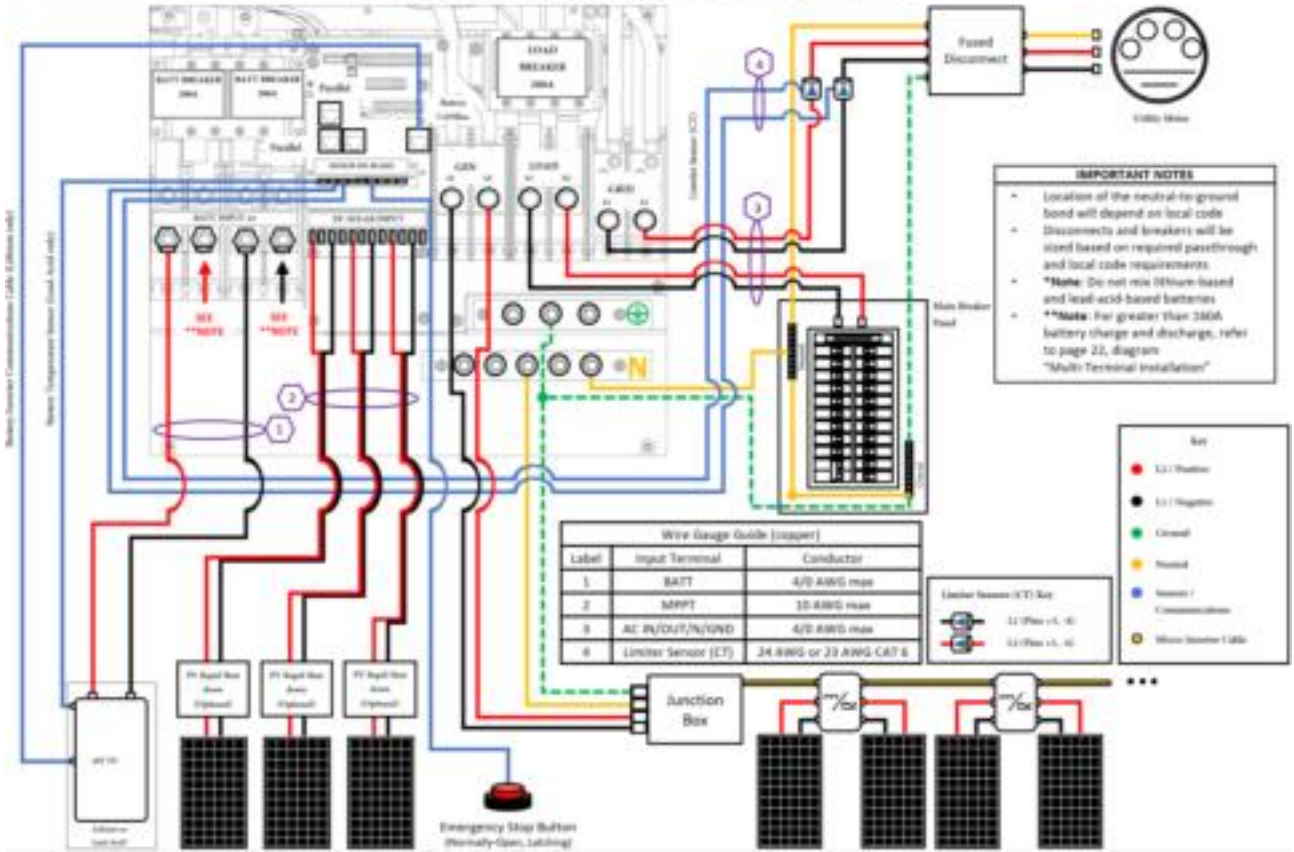


Diagram 4

LOAD-Side AC-Coupled Micro Inverters (120/240V)

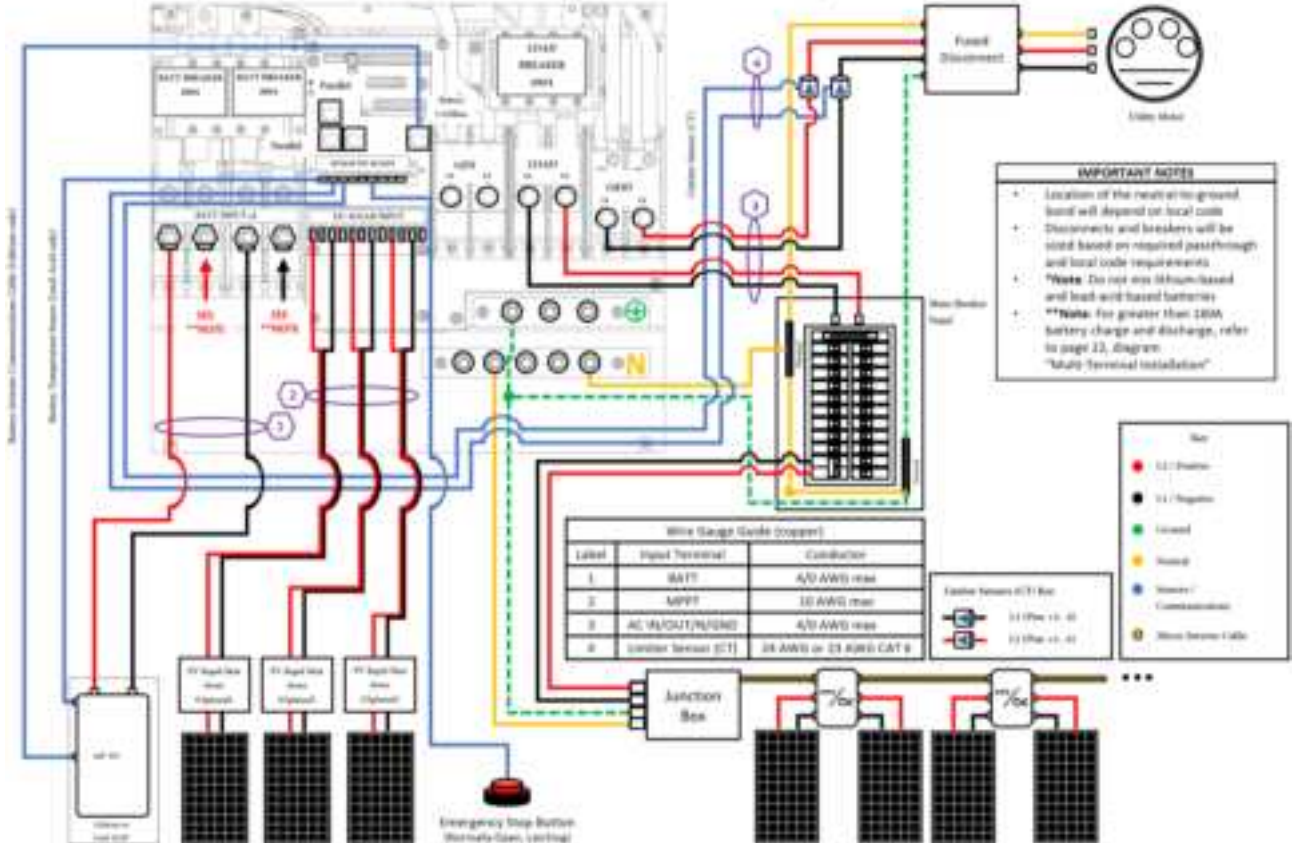


Diagram 5

Whole Home Generator Wire Diagram (120V/240V)

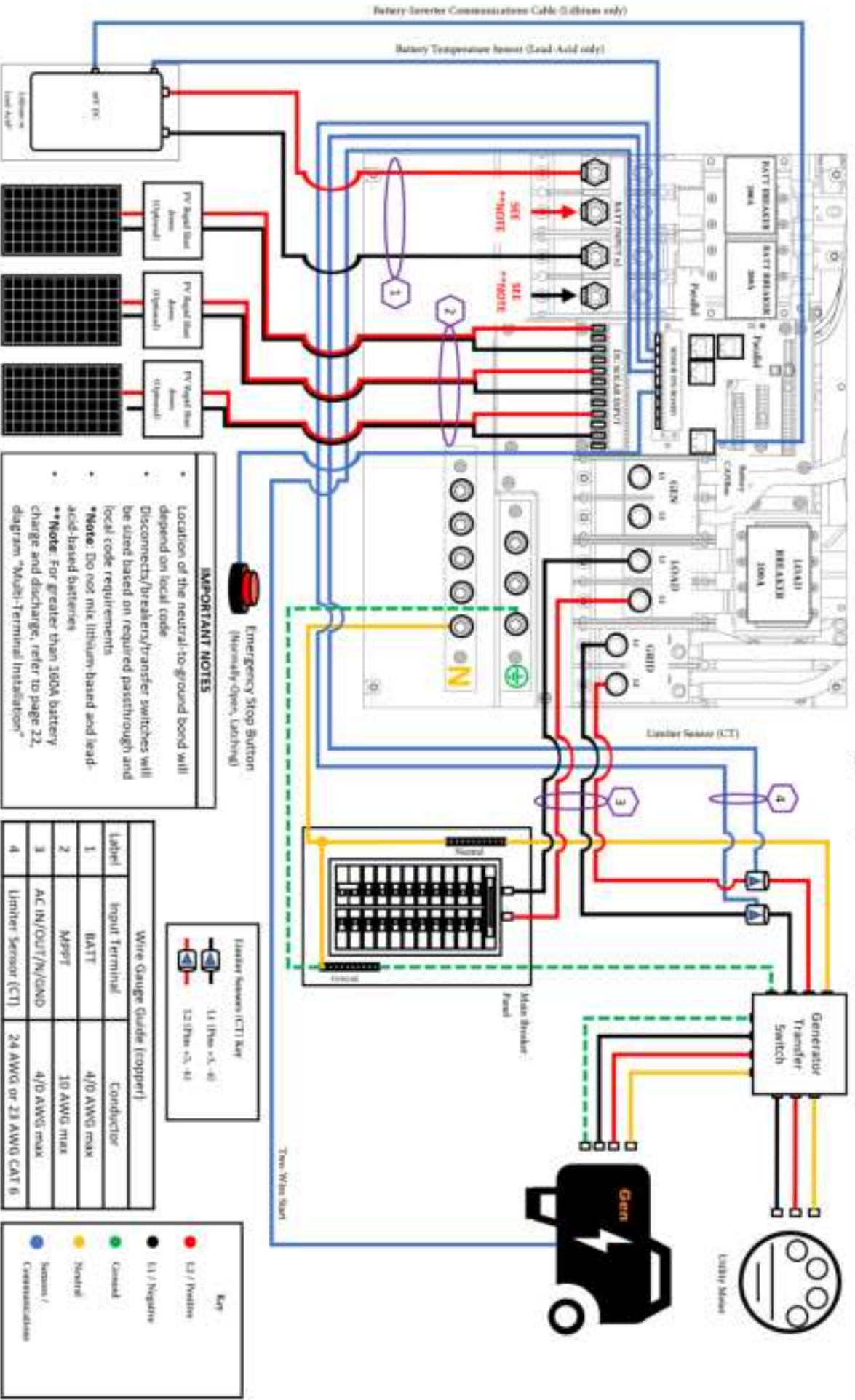
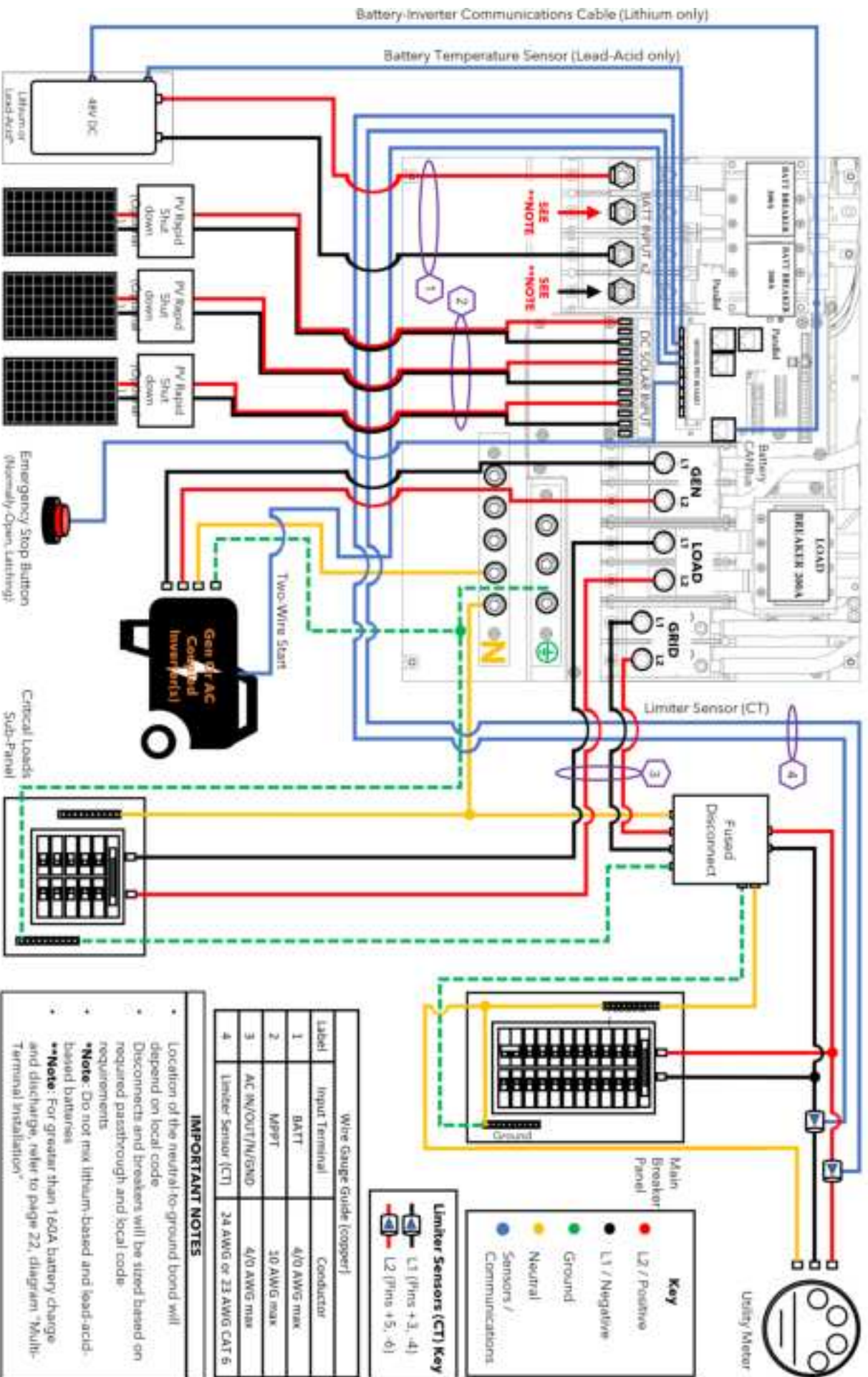


Diagram 6

Line Side Tap Wire Diagram (120V/240V)



Before powering up Parallel System installs, see section 5 "Parallel Systems"

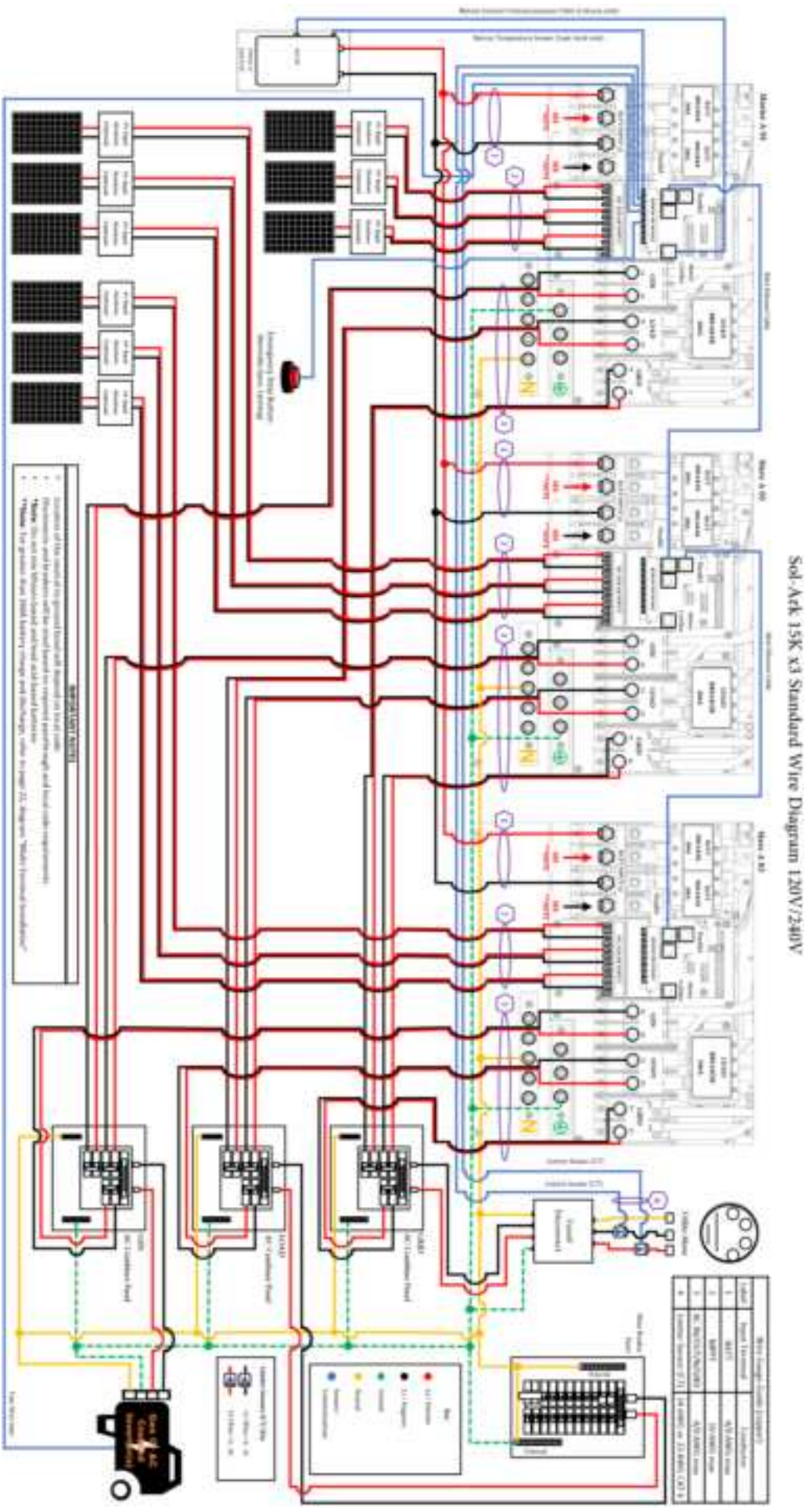


Diagram 9

Before powering up Parallel System installs, see section 5 "Parallel Systems"

Sol-Ark 15K-2P-N X2 Standard Wire Diagram 120V/208V

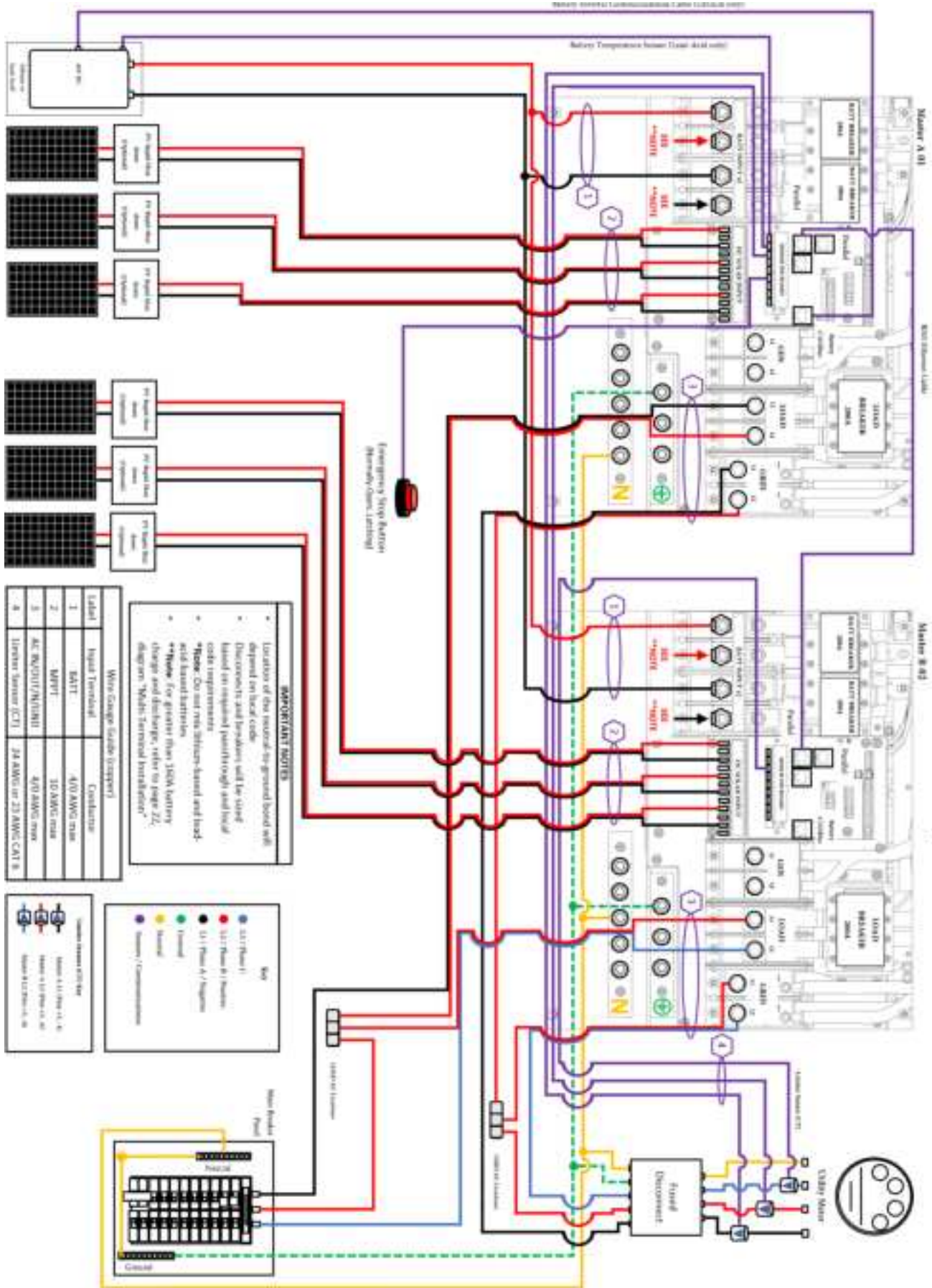


Diagram 10

! Before powering up Parallel System installs, see section 5 "Parallel Systems"

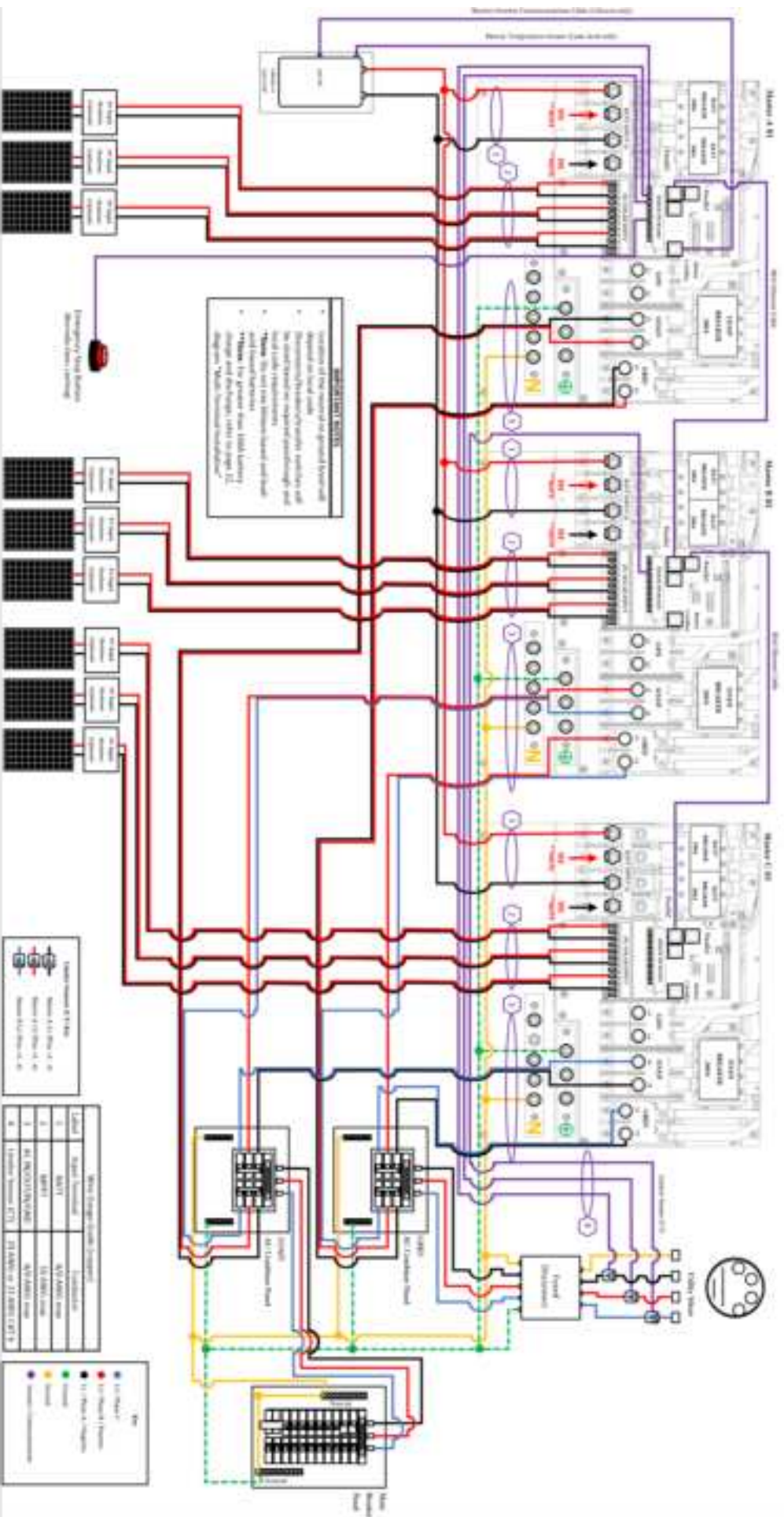


Diagram 11

8. Troubleshooting Guide

LCD is not powering on

- Check all connections - at least one of the following power sources is required: PV/Grid/Battery
- Try pressing the power button, touchscreen, or navigation buttons

Panels are connected, but DC Light is not on

- Minimum starting voltage is 125V. Voltage must be above 125V and below 500V
- Wrong polarity. Check string polarity on MPPT
- PV DC disconnect is not on the ON position

Panels are not producing

- Check for proper wiring on all solar panel connections
- Turn PV disconnect "ON"
- Check that the PV input voltage is not greater than 500V
- If the system measures 0V even when PV DC disconnect is ON, polarity might be wrong. Check PV polarity

Panels are not producing much power

- PV Wire Strip Length: 5/8". Your batteries are charged and is limited to house loads; you can test Grid Sell to verify.

The system does not keep batteries charged

- Check the charge setting in the Charge Menu

Auto Gen-Start is not working

- Check to make sure your generator is compatible with Auto Start
- Make sure that the Auto Gen Start wire is adequately connected to the Sol-Ark 15K and the generator

Normal LED isn't on

- Sol-Ark 8K is in pass-through-only mode, only a Grid connection
- Not fully energized (DC Solar panels AND Grid or just batteries)
- In alarm state or in passthrough mode.
- Sol-Ark 8K is not working correctly (Call technical support +1 (972) 575-8875 Ext. 2)

The alarm light is on

- Check the system alarms menu to identify the alarm

Grid HM value is negative when it should be positive (only applies in limited home mode)

- Limiter Sensors are backwards, L1/L2 sensors are swapped, or incorrectly wired L1/L2 sensors. Try Auto Learn.

AC Overload Fault or Bus Unbalance Fault

- Check Transfer Switch/Subpanel wiring
- Check for large loads that consume more than the inverter rating (EX: AC units over 3 tons)

The system connects to grid and quickly disconnects

- With a DMM, verify your Neutral wire connection (should be 0Vac referenced to GND)
- Check your Freq is set to 60Hz, and the 15K measures 120V on L1 vs. N / L2 vs. N
- If overloading: verify 120V/240V grid input and load output wires are not swapped

DC Overload Fault

- Check PV voltage
- Make sure you have not wired more than two (2) solar strings in parallel per MPPT

System is beeping

- Check the System Alarms menu to see which alarm has been triggered. Most alarms will self-reset.
- There is no battery connected. If not using a battery, select "No Battery" and disable "Activate Batt" in Batt menu.
- Execute a Power Cycle

Battery cable sparks when connected

- If applicable, flip the built-in or external breaker(s) of the battery to the OFF position before connecting or disconnecting batteries.

Battery symbol on the home screen is red

- The battery under the empty voltage
- Battery is over-voltage

Battery symbol on the home screen is yellow

- The battery is low, or the charge/discharge current is close to the programmed limit


Grid symbol on the home screen is yellow

- Grid parameters are out of specified operating range
- There is a grid outage and there is no voltage on the GRID terminals
- System is off-grid

System has restarted

- Occurs if the system is overloaded, battery voltage is greater than 63V, or Software update

Batteries were connected backwards

-  System will be damaged, and warranty will be lost

Why is the LCD screen still on when the power button is off?

- If PV or Grid power is connected, LCD stays on, but the inverter and loads are off

The Batt SOC% is not reaching 100%

- The Sol-Ark might be in the calibration phase and estimating the battery SOC. We suggest waiting three full days to let the unit go through the 4-stage charging curve to converge to an accurate %
- If the suggestion above does not work, you can re-adjust the battery capacity under "Battery Setup" → "Batt Capacity" to restart the calibration process

Generator setup is reading 0Hz

- Generator frequency is out of frequency range. Select "General Standard" instead of UL1741. Then widen the frequency range to 55Hz-65Hz

Color Touchscreen is Frozen

- Press and hold the escape button [<] for 7-10 seconds
- Perform a power cycle sequence in case the above suggestion does not work. See section 2.11 "Power Cycle Sequence"

8.1 Sol-Ark error codes

FAULT	INSTRUCTION	COMMON CAUSE / REMEDY
F1	DC_Inversed_Failure	If you have parallel systems and turn one system off, you will get this notification. NOT a fault.
F8	GFDI_Relay_Failure	Check for continuity on the inverter's neutral and ground. Ensure there is only ONE neutral-to-ground bond in the system. Current Leakage from inverter AC output to Ground, check Ground and neutral are connected at the main panel.
F13	Grid_Mode_change	It can happen when not using batteries or if Grid Input settings are changed. This is a notification, NOT a fault. If you switch from No Batt to Battery mode, power the system down completely to restart.
F15	AC_OverCurr_Failure	It is usually caused by Loads too large for the inverter. If Off-Grid, the battery discharge Amps are programmed too low. Overloads can result in F15, F18, F20, or F26.
F16	GFCI_Failure	Ground fault. Check PV+ or PV- wiring (which must be ungrounded). Exposed PV conductors + rain can also cause. Check that the neutral line and Ground are not double-bonded (common with portable generators).
F18	Tz_AC_OverCurr_Fault	Overloaded the Load Output (reduce loads) or overloaded a generator (reduce Gen Start A). Wiring Short on the AC Side can also cause this error. Overloads can result in F15, F18, F20, or F26.
F20	Tz_Dc_OverCurr_Fault	It is typically caused by DC current from the battery that is too large (ex: 4 Ton AC Unit) or too much PV current (3 or more strings in parallel). Overloads can result in F15, F18, F20, or F26.
F22	Tz_EmergStop_Fault	Initiated Emergency Stop; see sensor pinout table.
F24	DC_Insulation_Fault	An exposed PV conductor combined with moisture is faulting (can cause F16, F24, and F26).
F25	DC_Feedback_Fault	No battery connection to the Inverter and Activate Battery is enabled. Disable Activate Battery in settings while no battery is connected.
F26	BusUnbalance_Fault	Too much load on one leg (L1 or L2) vs. the other leg or DC loads on the AC output when Off-Grid. Grounded PV+/- wire can cause F20, F23, or F26.
F29	Parallel_CANBus_Fault	Usually, a communication error for parallel systems. Check cables, and MODBUS addresses.
F31	Soft_Start_Failed	Soft Start of the large motor failed.
F34	AC_Overload_Fault	AC Overload or load shorted. Reduce heavy loads.
F35	AC_NoUtility_Fault	Grid connection lost.
F37	DCLLC_Soft_Over_Cur	Software DC overcurrent.
F39	DCLLC_Over_Current	Hardware DC overcurrent.
F40	Batt_Over_Current	Batteries exceeded their current discharge limit.
F41	Parallel_System_Stop_Fault	If one system faults in parallel, this normal fault will register on the other units as they disconnect from the grid.
F45	AC_UV_OverVolt_Fault	Grid under voltage causes a disconnect. This will self-reset when the grid stabilizes.
F46	Battery_Backup_Fault	Cannot communicate with other parallel systems. Check Master = 1, Slaves = 2-9 and that ethernet are connected.
F47	AC_OverFreq_Fault	Grid over Frequency (common in power outages) causes disconnect. Will self-reset when grid stabilizes.
F48	AC_UnderFreq_Fault	Grid under Frequency (common in power outages) causes a disconnect. Will self-reset when grid stabilizes.
F55	DC_VoltHigh_Fault	PV may be higher than 500V. Battery voltage should not be above 59V or 63V (depending on the model).
F56	DC_VoltLow_Fault	Batteries are overly discharged, the inverter is Off-Grid and exceeded the programmed batt discharge current by 20%, or Lithium BMS has shut down. If battery settings are incorrect, this can also happen.
F58	BMS_Communication Fault	Sol-Ark is programmed to BMS Lithium Battery Mode but cannot communicate with a BMS. BMS_Err_Stop is enabled, but cannot communicate with a battery BMS
F60	Gen_Volt_or_Fre_Fault	Generator Voltage or Frequency went outside the allowable range.
F61	Button_Manual_OFF	The parallel Slave system turned off without turning off the Master.
F63	Arc_Fault	It can be a poor PV connector / Connection. Or sometimes a false alarm due to powerful lightning storms.
F64	Heatsink_HighTemp_Fault	Check that the built-in fans are running; the ambient temperature may be too high. Ensure proper clearance.

9. Install Verification

9.1 Warranty Checklist

For the installer to complete AFTER the system is operational. The purpose is to protect the installer, homeowner, and inverter.



*This checklist must be filled out and submitted to register your warranty. Please visit:
<https://www.sol-ark.com/register-your-sol-ark/>*

1. Was a diagram of your installation submitted to Sol-Ark for review? Y / N
 - a. If not, Sol-Ark is not liable for any issues with system performance as a result of the installation, nor is Sol-Ark liable for any changes to installation that are needed to ensure proper system operation.
2. Is the Sol-Ark installed in a location where the LCD is protected from direct sunlight and has the adequate vertical and lateral clearances for cooling? Y / N
3. Are all the battery lugs properly tightened? Y / N
4. The Sol-Ark should connect to the grid, external LOAD/GRID breakers ON, batteries connected, PV input ON, and power button ON. With the Inverter running, the essential loads panel and Grid-connected:
 - a. Did any breakers trip? Y / N
 - b. Did the inverter overload? Y / N
5. If you have problems, please take pictures of these, and email them to: support@sol-ark.com
 - a. **Battery icon screen, showing a table of detailed voltages.**
 - b. **Sol-Ark 15K-2P-N with batteries and the user wiring area**
6. Load and solar test
 - a. Press the battery icon for the detailed voltages screen.
 - b. Is the batt temp sensor working? Y / N
 - c. Turn on many loads for the Backup circuits. Are solar panels producing enough power to match the load (provided there is enough sun)? Y / N
 - d. Program on "Grid Sell" Mode. If there are enough panels and sun or light loads in the entire house, the Grid HM measurements will be negative on both L1/L2. Is the inverter selling power back to the grid? Y / N
 - e. Program on "Limited Power to Home" mode. The Grid HM sensor will be near zero or slightly positive. Are they both near zero and canceling out the whole home power? Y / N
 - f. You have verified the limit sensors are correctly installed. An auto-learn function corrects any mistakes in CT limiter wiring (batteries are required and grid type 120/240V). Program in the correct Grid mode the customer will use.
7. Did you program the correct Ah for the battery bank and max Amps charge/discharge? Y / N
8. Did you program the correct battery charge voltages for your battery type? Y / N
9. Turn off the external AC grid disconnect so that the Sol-Ark operates in an off-grid mode for several minutes. Are appliances still being powered? Y / N
10. Turn off the PV input, running only on batteries for several minutes. Are appliances still powered? Y / N
11. Turn on the PV input and AC Grid inputs.
12. Did you set up the Wi-Fi plug to the customer's internet? Y / N
13. Did you help the customer register system on monitoring app? Y / N
14. Does the customer have a standby generator or a small portable Generator? Y / N
 - a. Did you turn off UL1741/IEEE1547 (use General Standard) and reprogram grid freq. range to 55-65Hz? Y / N
 - b. Did you enable Gen charging and adequately set the charge current if using a small gas generator on Gen inputs? Y / N
15. If EMP protected, did you install EMP Suppressors on essential appliance cords? Y / N

Installer name

Installer Signature

Date

Customer Name

Customer Signature

Date

9.2 Limited Warranty: Sol-Ark 15K-2P-N

10-Year Limited Warranty for SOL-ARK (Portable Solar LLC) Products. Sol-Ark provides a Ten-year (10) limited Warranty ("Warranty") against defects in materials and workmanship for its Sol-Ark products ("Product"). The term of this warranty begins on the Product(s) initial purchase date, or the date of receipt of the Product(s) by the end user, whichever is later. This must be indicated on the invoice, bill of sale from your installer. This warranty applies to the original Sol-Ark Product purchaser and is transferable only if the Product remains installed in the original use location. Please call Sol-Ark to let us know if you are selling your Home and give us name and contact of the new owner.

The warranty does not apply to any Product or Product part that has been modified or damaged by the following:

- Installation or Removal (examples: wrong voltage batteries, connecting batteries backward, damage due to water/rain to electronics, preventable damage to solar wires.)
- Alteration or Disassembly.
- Normal Wear and Tear.
- Accident or Abuse.
- Unauthorized Firmware updates/software updates or alterations to the software code.
- Corrosion.
- Lightning: unless using EMP hardened system, then Portable Solar will repair the product.
- Repair or service provided by an unauthorized repair facility.
- Operation or installation contrary to manufacturer product instructions.
- Fire, Floods, or Acts of Nature.
- Shipping or Transportation.
- Incidental or consequential damage caused by other components of the power system.
- Any product whose serial number has been altered, defaced, or removed.
- Any other event not foreseeable by Portable Solar, LLC

Sol-Ark (Portable Solar LLC) liability for any defective Product, or any Product part, shall be limited to the repair or replacement of the Product, at Portable Solar LLC discretion. Sol-Ark does not warrant or guarantee workmanship performed by any person or firm installing its Products. This warranty does not cover the costs of installation, removal, shipping (except as described below), or reinstallation of Products or parts of Products. LCD screen and fans are covered for 5 years from date of purchase.

THIS LIMITED WARRANTY IS THE EXCLUSIVE WARRANTY APPLICABLE TO SOL-ARK (PORTABLE SOLAR LLC) PRODUCTS. SOL-ARK EXPRESSLY DISCLAIMS ANY OTHER EXPRESS OR IMPLIED WARRANTIES OF ITS PRODUCTS. SOL-ARK ALSO EXPRESSLY LIMITS ITS LIABILITY IN THE EVENT OF A PRODUCT DEFECT TO REPAIR OR REPLACEMENT IN ACCORDANCE WITH THE TERMS OF THIS LIMITED WARRANTY AND EXCLUDES ALL LIABILITY FOR INCIDENTAL OR CONSEQUENTIAL DAMAGES, INCLUDING WITHOUT LIMITATION ANY LIABILITY FOR PRODUCTS NOT BEING AVAILABLE FOR USE OR LOST REVENUES OR PROFITS, EVEN IF IT IS MADE AWARE OF SUCH POTENTIAL DAMAGES.

Return Policy - No returns will be accepted without prior authorization and must include the Return Material Authorization (RMA) number. Please call and talk to one of our engineers to obtain this number at 972-575-8875.

Return Material Authorization (RMA) A request for an RMA number requires all the following information: 1. Product model and serial number; 2. Proof-of-purchase in the form of a copy of the original Product purchase invoice or receipt confirming the Product model number and serial number; 3. Description of the problem; 4. Validation of problem by Technical Support, and 5. Shipping address for the repaired or replacement equipment. Upon receiving this information, the Sol-Ark representative can issue an RMA number. Any product that is returned must be brand new, in excellent condition and packaged in the original manufacturer's carton with all corresponding hardware and documentation. Returns must be shipped with prepaid freight and insured via the carrier of your choice to arrive back at Portable Solar within 30 days of your initial delivery or pick-up. **Shipping charges will not be refunded.** All returns are subject to a 35% restocking fee. **No returns will be accepted beyond 30 days of original delivery.** The value and cost of replacing any items missing (parts, manuals, etc.) will be deducted from the refund. If you have any questions regarding our return policy, please email us at sales@sol-ark.com or call us at the number above during regular (M-F) business hours.

Sol-Ark 15K-2P-N Install Operational Verification Checklist Questionnaire must be filled out, signed, and dated to secure full warranty coverage.

Contact: (USA) 1-972-575-8875

For Info/Purchasing:

sales@sol-ark.com | ext.1

For Tech Support/Warranty Claim:

support@sol-ark.com | ext.2

10. GUI Screens

Main Menu

Solar Today=53KWH Total=559.8KWH

55.2V

17.00 KW, -5.00 KW, 5.00 KW, -7.00 KW

Solar	Grid	INV	USP LD	Batt
3882W	-3081W 60.0Hz	3702W 60.0Hz	621W 122V	-26W 54.70V
L1: 263V	126V	122V	0W	-0.53A
5.4A	HM: -786W	15.2A	121V	25.0C
1396W	LD: -1876W	1857W	640W	
L2: 264V	122V	121V	Gen	TEMP
9.5A	HM:1142W	14.8A	4V	DC: 55.0C
2484W	LD:1205W	1845W	0.0Hz	AC:49.7C
2484W			0W	

System Alarms: 1/25/2021 03:05:27 PM Mon.

Alarms Code	Occurred
F13 Grid_Mode_changed	2021-01-13 11:22
F13 Grid_Mode_changed	2021-01-13 11:20

0.00 V 0.00 A 0.0 C 0% 0 Ah

0.0 V 0.0 V 0A 0A 0e00 0e00

Only w/ BMS Lithium Mode

1. 0.00V 0.00A 0.0C 0.0%	0.00	0.00	0.00%
2. 0.00V 0.00A 0.0C 0.0%	0.00	0.00	0.00%
3. 0.00V 0.00A 0.0C 0.0%	0.00	0.00	0.00%
4. 0.00V 0.00A 0.0C 0.0%	0.00	0.00	0.00%
5. 0.00V 0.00A 0.0C 0.0%	0.00	0.00	0.00%
6. 0.00V 0.00A 0.0C 0.0%	0.00	0.00	0.00%
7. 0.00V 0.00A 0.0C 0.0%	0.00	0.00	0.00%
8. 0.00V 0.00A 0.0C 0.0%	0.00	0.00	0.00%
9. 0.00V 0.00A 0.0C 0.0%	0.00	0.00	0.00%
10. 0.00V 0.00A 0.0C 0.0%	0.00	0.00	0.00%
11. 0.00V 0.00A 0.0C 0.0%	0.00	0.00	0.00%
12. 0.00V 0.00A 0.0C 0.0%	0.00	0.00	0.00%
13. 0.00V 0.00A 0.0C 0.0%	0.00	0.00	0.00%
14. 0.00V 0.00A 0.0C 0.0%	0.00	0.00	0.00%

System Setup: 10/14/2022 08:05:27 PM TH

Basic Setup, System Alarms, Battery Setup, Li-Batt Info, Limited, Grid Setup

Li-Batt Info: Sol-Ark 5K/8K/12K/15K-P, ID: #####, COMM: #####, MCU-Ver####

Basic Setup

Basic Setup (Brightness, Auto Dim, Beep)

Basic Setup (AM/PM, Time Sync, Seasons)

Basic Setup (Solar Arc Fault, Gen Limit Power, Load Limit Power, Grid peak shaving)

Basic Setup (Factory Reset, System selfcheck, Lock out all changes)

Basic Setup (Monitor, Slave, Motor - Grid, Motor - Load)

Batt Setup

Batt Setup

Batt Charge Discharge Smart Load

Batt Capacity 400Ah Use Batt V Charged

Max A Charge 275A Use Batt % Charged

Max A Discharge 275A No Battery

TEMPCO -0mV/C/Cell BMS Lithium Batt

Activate Battery

CANCEL OK

Batt Setup

Batt Charge Discharge Smart Load

StartV 49.0V 49.0V Float V 55.3V

Start% 30% 50% Absorbion V 56.0V

A 40A 100A Equalization V 56.0V

Gen Charge Grid Charge

30 Days 1.0 Hours

Generator Recycle Cycle Day & Time: Mon 08 :00 20min

Gen Force CANCEL OK

Batt Setup

Batt Charge Discharge Smart Load

Min/Batt 46.0V 20% Batt Resistance 8mOhms

Low Batt 47.5V 15% Batt Charge Efficiency 99.0%

Max/Batt 52.0V 50%

Batt Empty V 47.0V BMS Pre-Stop

CANCEL OK

Batt Setup

Batt Charge Discharge Smart Load

Charge input on load output Pre-BC Disabled Water to Gen

Do Grid always on High Pri: 82.00%

Smart Load OFF Batt

LLB 80% AC couple on load side

Smart Load ON Batt

SLB 80%

Grid Power(W) 3000

CANCEL OK

Limiter

Grid Param

Limiter Other

	Time	Power(W)	Batt	Charge	Self
<input type="checkbox"/> Grid Sell	15:00	01:00AM	2000	50%	<input type="checkbox"/>
<input type="checkbox"/> Limited Power to Home	05:00AM	2000	50%	<input type="checkbox"/>	<input type="checkbox"/>
<input checked="" type="checkbox"/> Limited Power to Load	09:00AM	2000	100%	<input type="checkbox"/>	<input type="checkbox"/>
	01:00PM	2000	100%	<input type="checkbox"/>	<input type="checkbox"/>
<input type="checkbox"/> Time of Use	05:00PM	2000	50%	<input type="checkbox"/>	<input type="checkbox"/>
	09:00PM	2000	50%	<input type="checkbox"/>	<input type="checkbox"/>

CANCEL OK

Time of Use Setup

Mon Tue Wed Thu

Fri Sat Sun

Season1 Season2 Season3

CANCEL OK

Grid Param

Limiter Other

GEN connect to Grid input

Zero Export Power 1W

Batt First Load First

CANCEL OK

Grid Setup

Grid Param

Grid Selection Connect IP: F/W | V(W)/V(IQ) | P(Q)/P(F)

Grid Mode 3/3

Grid Frequency 50Hz 60Hz

Grid Recycle Time 50%

Power Factor 1.00

Feed In 0%

LL Response YES

Output V 120/200V

Output Vc +0V

120/200V 1 Phase

CANCEL OK

Grid Param

Grid Selection Connect IP: F/W | V(W)/V(IQ) | P(Q)/P(F)

Reconnect Normal connect

Grid Vol High 230.0V	Grid Vol High 240.0V
Grid Vol Low 181.2V	Grid Vol Low 194.0V
Grid Hz High 61.3Hz	Grid Hz High 62.0Hz
Grid Hz Low 58.5Hz	Grid Hz Low 57.0Hz

Reconnect Ramp rate 60% Normal Ramp rate 60%

CANCEL OK

Grid Param

Grid selection Connect IP: F/W | V(W)/V(IQ) | P(Q)/P(F)

(See voltage (V) to see matching meter) 230.2V

VW 240.0	WF 62.00%
VQ 240.0	WF 62.00%
VP 240.0	WF 61.00%
W 183.0V	LF 58.50%
Q 145.0V	LF 57.00%
U 104.0V	LF 57.00%

CANCEL OK

Grid Param

Grid selection Connect IP: F/W | V(W)/V(IQ) | P(Q)/P(F)

Over frequency Droop F 40%PE/Hz

Start freq F 60.50Hz Stop freq F 60.50Hz F(W)

Start delay 0.00% Stop delay 0.00%

Under frequency Droop F 40%PE/Hz

Start freq F 59.50Hz Stop freq F 59.50Hz

Start delay F 0.00% Stop delay F 0.00%

CANCEL OK

Grid Param

Grid selection Connect IP: F/W | V(W)/V(IQ) | P(Q)/P(F)

Response T F1:100% Low:20.0% Load:1.0%

V1:100.0%	F1:100%	V1:80.0%	Q1:4.0%
V2:110.0%	F2:50%	V2:94.0%	Q2:0%
V3:111.0%	F3:0%	V3:100.0%	Q3:0%
V4:112.0%	F4:0%	V4:110.0%	Q4:4.0%

CANCEL OK

Grid Param

Grid selection Connect IP: F/W | V(W)/V(IQ) | P(Q)/P(F)

Response T F1:20% Low:50.0% Load:100.0%

F1:20%	Q1:20%	V1:50%	F1:100%
F2:100%	Q2:20%	Q2:100%	F2:100%
F3:100%	Q3:20%	V3:100%	F3:100%
F4:100%	Q4:20%	V4:100%	F4:100%

CANCEL OK

