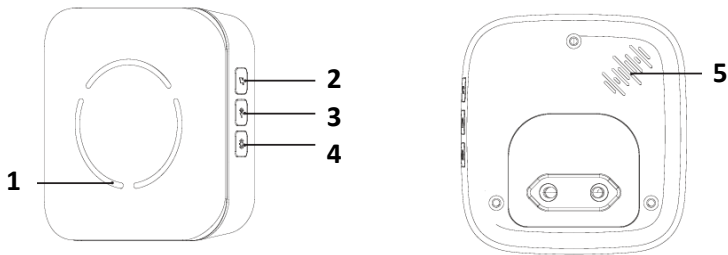


The set consists of a doorbell button (transmitter) and a doorbell (receiver). The doorbell is designed for permanent connection to a 230 V AC/50 Hz electrical network. Transmission between the button and the doorbell takes place via radio waves with a frequency of 433.92 MHz. The range depends on local conditions and can reach up to 180 m in open space without interference. The set has a so-called function pairing (Learning code) – the button is able to generate its own pairing code, which the doorbell receives and stores in its memory. The set can thus be expanded with additional transmitters or receivers. The pairing function also prevents the set from interfering with neighbouring doorbells. For correct use, please read the user manual.

Doorbell description

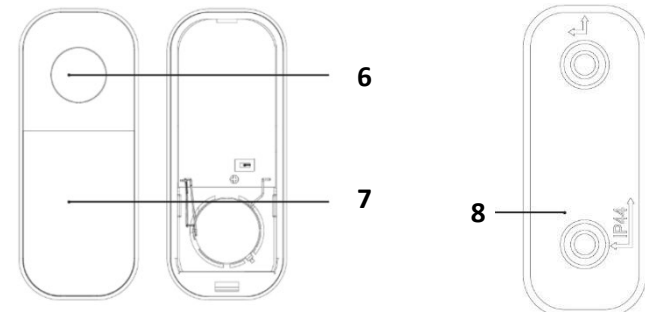


- 1. LED indicator
- 2. Melody selection / Pairing
- 3. Change melody volume
- 4. Mode button
- 5. Speaker

Specifications

Transmitter range	180 m in open space
Transmission frequency	433.92 MHz
Ringing volume	4 levels: 0 - 90dB (90 - 65 - 40 – flashing only)
Number of melodies	36 selectable melodies
Power supply	AC 230V
Doorbell power consumption in stand	<0.3W
Button power supply	1 x 3V CR2032 battery (included)
Button waterproof protection	IP44
Operating temperature of doorbell	0 °C to +35 °C
Button operating temperature	-10 °C to +50 °C

Button description



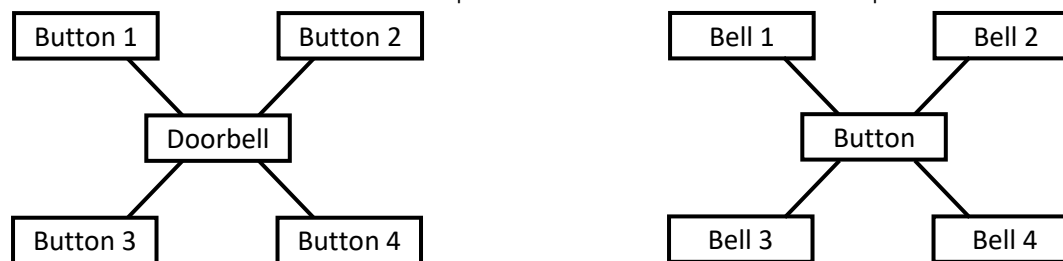
- 6. Ringing button
- 7. Name tag holder
- 8. Base

- Solight 1L74T can be used as a replacement button.

Pairing the button with the bell

1. Plug the doorbell into an electrical socket (230 V).
2. Wait for the "Ding Dong" melody; after it sounds, the device will enter pairing mode.
3. You now have 120 seconds to press the button on the transmitter to complete the pairing. When pairing is successful, you will hear the "Ding Dong" melody. If you do not hear it, repeat the pairing process.

To pair multiple buttons, repeat steps 1, 2, and 3 for each button. A maximum of 8 buttons can be paired with one doorbell. One button can be paired with a maximum of 15 doorbells.



Note: The doorbell has an internal memory that stores the codes of currently paired buttons in case of a power failure. Therefore, it is not necessary to pair the buttons again after a power failure. The selected melody will be retained after a power failure, but the volume must be set again. The receiver is intended for indoor use only.

Deleting paired buttons from memory

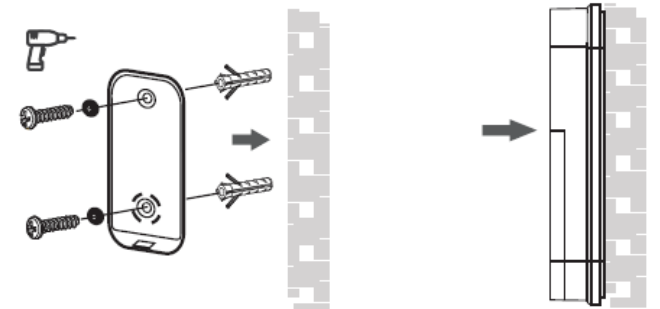
1. Press and hold the button for selecting melody 2 (approx. 20 seconds) until you hear a "Ding Dong" sound.
2. This will clear the pairing.

Selecting the melody and volume

1. Use button 2 on the doorbell to select the ringtone.
2. Press button 3 to select the desired volume.

Button placement

1. Start by pairing the button with the doorbell.
2. Before installation, test the range and reliability of the device in the selected location. The button is weather-resistant. Even so, it is preferable to choose a location where the button is protected, e.g. in a recess in the wall.
3. Attach the installation pad to the surface using double-sided adhesive tape or screw it in place. (If screwing, use wall plugs.)
4. Place the button on the attached back part.



Note: Do not place the button directly on metal objects or materials containing metal, such as steel posts or doors with metal frames. In such cases, the device may not function properly.

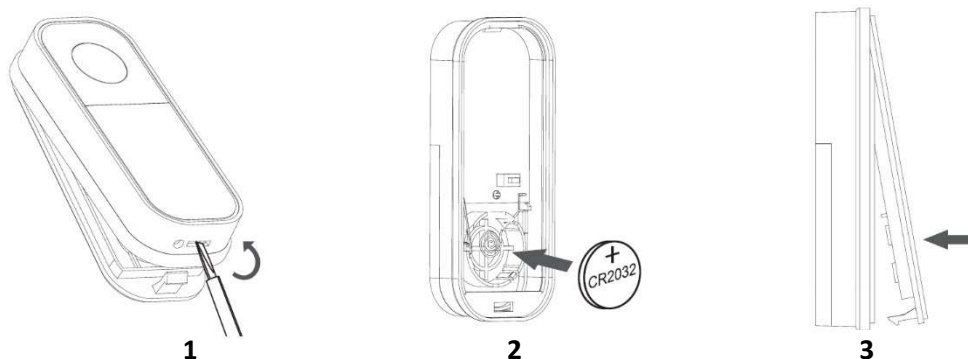
Troubleshooting:

If the receiver does not ring repeatedly when the button on the transmitter is pressed, check the following:

- whether the distance between the transmitter and receiver is too great
- whether there are any strong sources of signal interference between the transmitter and receiver (radio and wireless networks, large metal objects, reinforced concrete walls, etc.)

Replacing the transmitter battery

1. Open the transmitter cover with a flat screwdriver.
2. Carefully insert the CR2032 battery (the location is shown on the board inside the device).
3. Replace the cover.



If you encounter any problems, please contact your dealer. The product has been issued with a CE Declaration of Conformity in accordance with applicable regulations. Available on the website or upon request from the manufacturer: info@solight.cz

Solight Holding s.r.o. declares that the product complies with the requirements and provisions of Directive 2014/53/EU. The device can be freely operated in the EU. The Declaration of Conformity is available at www.solight.cz. The product can be operated on the basis of general authorisation No. VO-R/10/05.2014-3.

