



FOCUS

Sign Lights
10W 20W

Installation Manual

SOLTECH Provides Advanced LED
Technology Powered With Eco-friendly,
Clean, Solar Energy.



SOLTECH
Smart Solar Lighting

01 Introduction

Thank you for purchasing FOCUS Urban Lighting Products.

Important

Please read these instructions before installation to ensure optimum results and longevity of your lights. The solar panel should be charged in full sunlight for 8 to 9 hours before initial first use to provide optimum results.

Features

- Easy installation— no electrical wiring required with integrated design.
- Turns on automatically at night and off during the day.
- The lights include an On/Off switch and built in battery.
- Battery can support 5–6 nights with cloudy days.
- When fully charged, lights will operate up to 5 nights.
- Intelligent power saving mode increases light duration x 1.5 times.
- IP65 water and dust resistant.

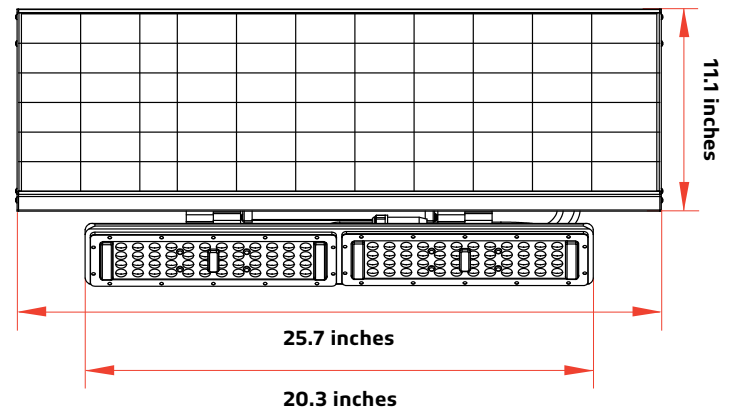
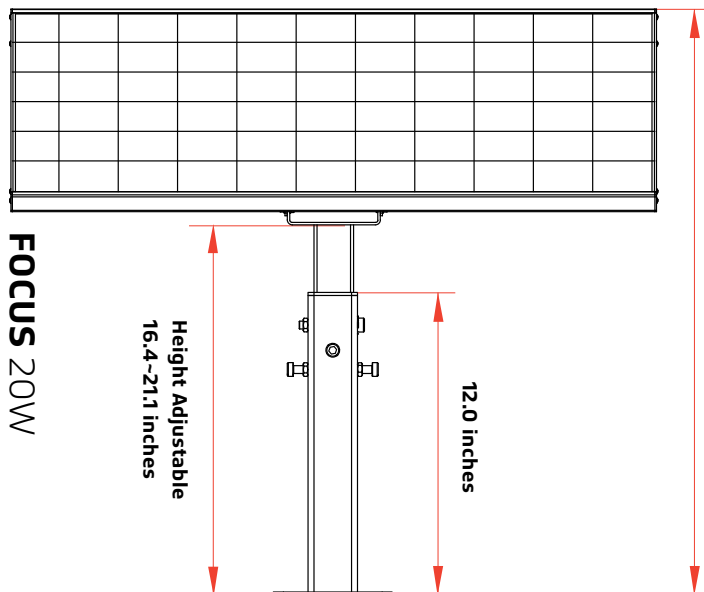
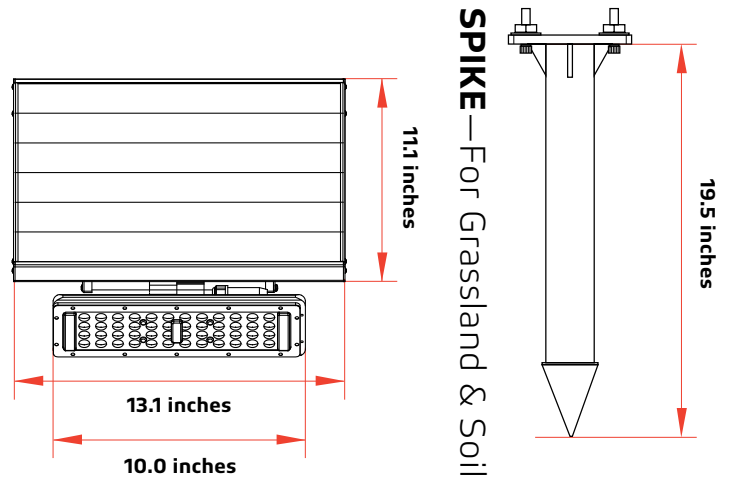
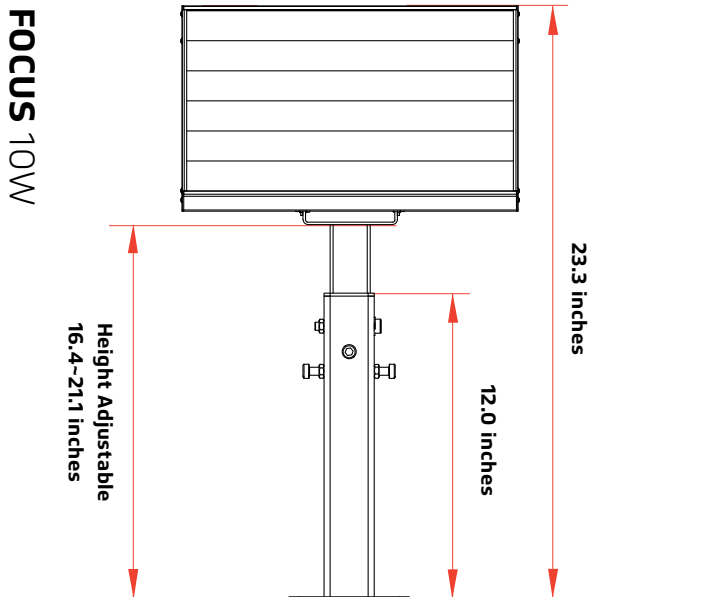
How the Solar Panel Works

During the day, the solar panel converts sunlight into electricity to charge the battery. At night, the lights turn ON automatically using the

electricity stored in the battery. The performance of the solar lights is dependent on the location of the solar panel and/or weather conditions. Install the solar panel in a sunny position ensuring it receives 6–8 hours sunlight each day. Reduced sunlight will reduce continuous working hours at night. Please note: during continuous wet & overcast days, lighting time may be reduced as the battery will not be fully charged. The lights may stop working during longer rainy periods of more than 5 days & will return to normal function when the sun returns. After an extended period of poor weather restore the battery power by turning the unit off and, fully charge the battery for 8 hours in full sunlight. To test the light during daylight hours, fully cover the solar panel and press the main power button.

Please Note

During continuous rainy or cloudy days, run time may be reduced as the battery will not be fully charged.



02 Specification

Specification	FOCUS 10W	FOCUS 20W
LED Nominal Power	10W	20W
Solar Panel	12V 13W	12V 26W
Lithium Ion Battery	74WH 7.4V 10AH	148WH 7.4V 20AH
CCT	4,000K & 5,000K	4,000K & 5,000K
Lumen Output@5000K	1,000	2,000
CRI	> 70	> 70
LED Chip	OSRAM	OSRAM
Beam Angle	50° X 80°	50° X 80°
Waterproof Rate	IP65	IP65
Casting	PC & Aluminum	PC & Aluminum
Efficiency@5000K	100 lm/W	100 lm/W
* Charging Time	8-10hrs (1000W/m ²)	8-10hrs (1000W/m ²)
Run Time (@Full Power)	2-3 Days	2-3 Days
Operation Mode	First 4 hours 100% brightness, 25% brightness till dawn	First 4 hours 100% brightness, 25% brightness till dawn
* Operating Temperature	-4 °F to 149 °F	-4 °F to 149 °F
* Charging Temperature	32 °F to 113°F	32 °F to 113°F

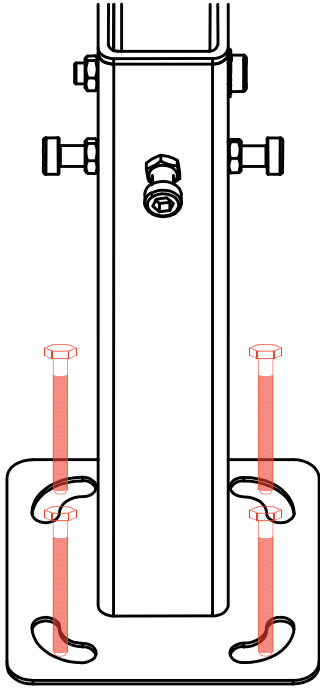
* The temperature can impact the battery's charging and normal operation.

* The solar charge time data is base on 77 degree F ambient temperature with the panel pointed directly at the solar radiation. The standard radiation value is 1000W/m².

03 Installation

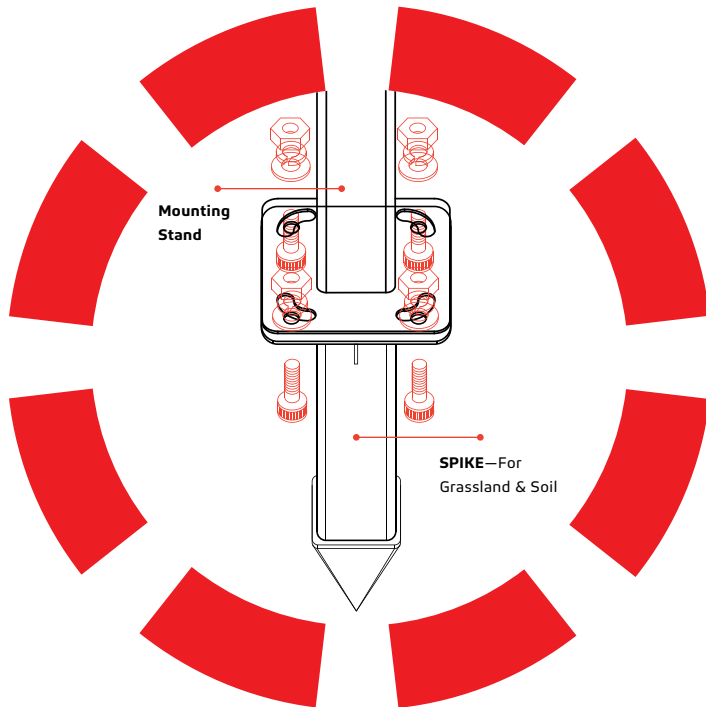
GROUND MOUNT

01

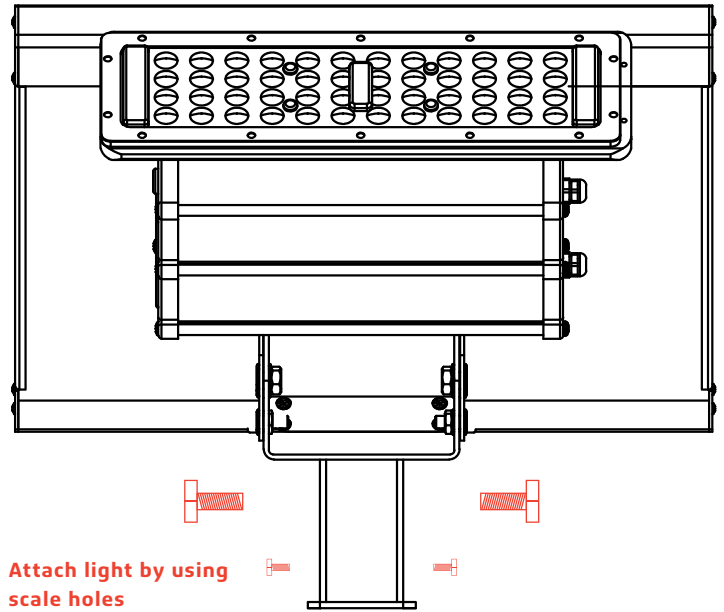


Secure Mounting

For signage near the ground, the FOCUS can use a drill installation into concrete, to create a secure, tightly bolted fixture.



02



GROUND MOUNT—For Grassland & Soil

If you want to install the FOCUS on grassland and soil, you need **SPIKE** accessory.

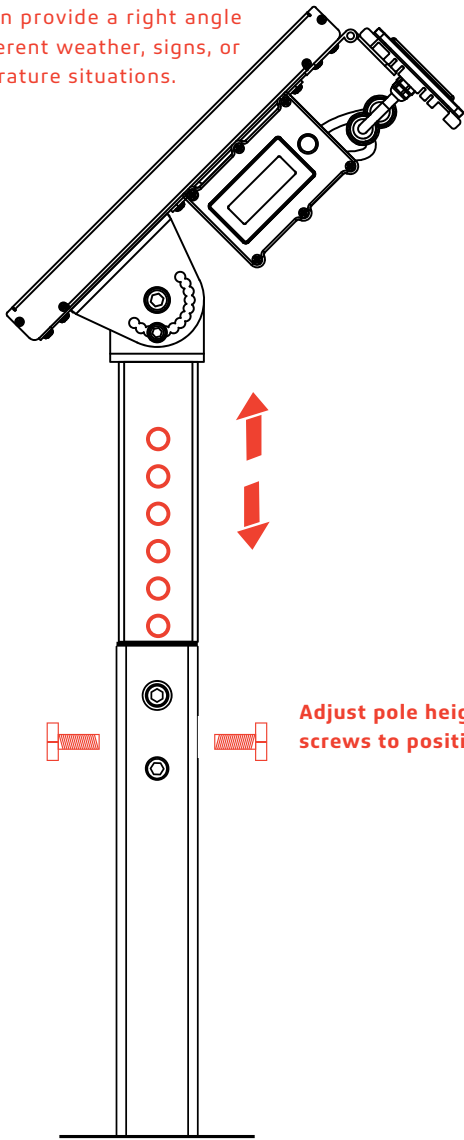
1. Attach the **SPIKE** to the **Mounting Stand** and secure with four screws.
2. Press it into the grassland or soil.

The FOCUS packaging does not include the spike, please place order separately.

03

THE RIGHT ANGLE

You can adjust the angles of your FOCUS solar light, ensuring that no matter the installation, you can provide a right angle in different weather, signs, or temperature situations.

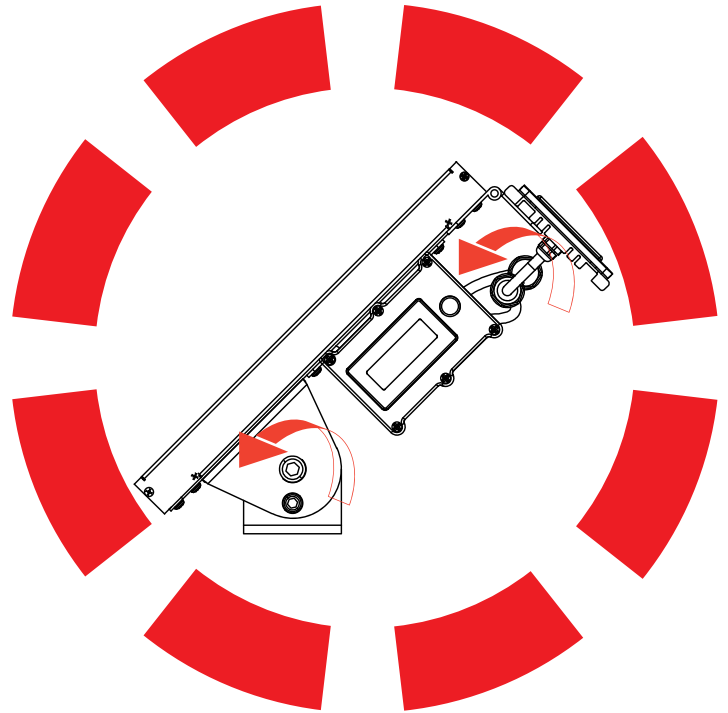


Adjust pole height, then tighten screws to position.

TIP

Use one bolt to set height, then tighten rest of the screws.

04



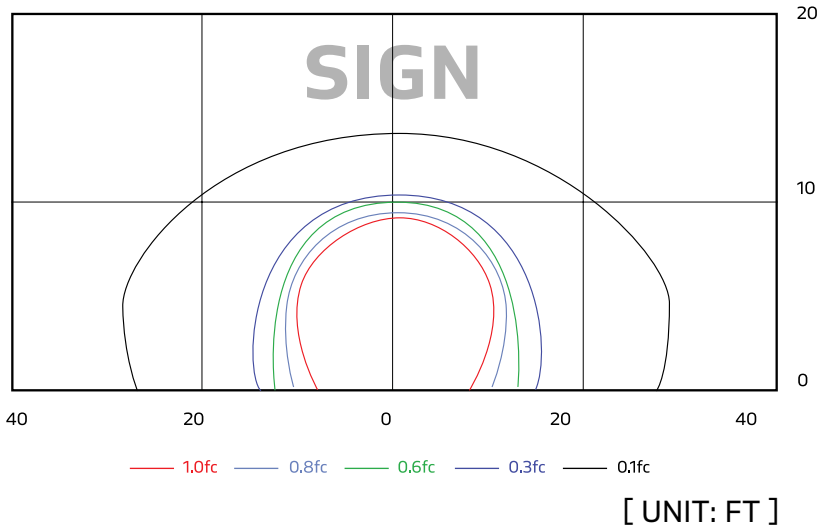
Optimize efficiency by rotation Panel and Light

NOTES

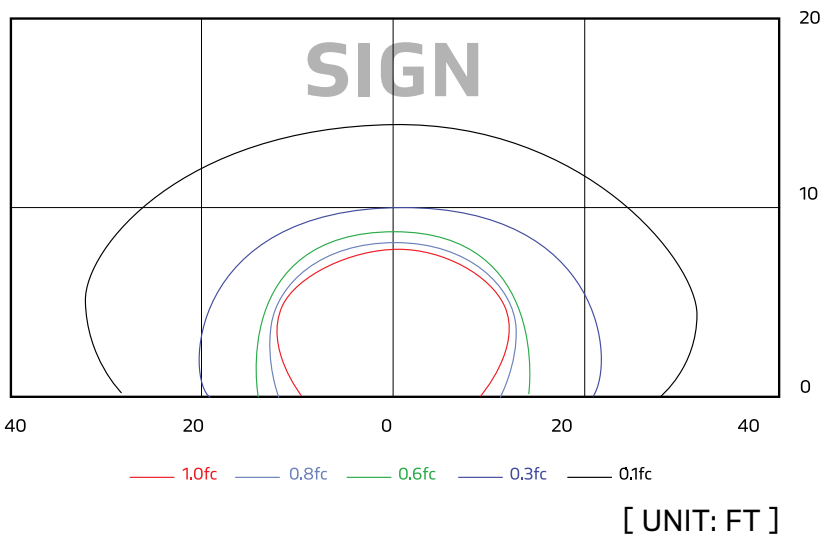
- 1. All screws and bolts must be tightened firmly.
- 2. Only press the main power button once. The light will operate automatically at night.
- 3. Please charge the product for 6–8 hours before use.

04 Luminous Distribution

FOCUS 10W [MOUNTING DISTANCE TO SIGN: 4FT]



FOCUS 20W [MOUNTING DISTANCE TO SIGN: 4FT]



05 Warranty

FOCUS is covered by a 3 year limited warranty. SOLTECH urban light warrants to the original purchaser that this product is free from defects in materials and workmanship for the period of 3 years from date of purchase. To obtain warranty service please contact your local distributor or sales rep for further instruction.

**SOLTECH Provides
Advanced LED
Technology Powered
With Eco-friendly,
Clean, Solar Energy.**



1460 Park Avenue.
Emeryville, CA 94608 USA
www.soltechlighting.com

SOLTECH LLC reserves the right to update all product data sheets at any time. Consult SOLTECH marketing specialists for publication updates at hello@soltechlighting.com

Copyright©2018-2023 SOLTECH LLC, All Rights Reserved.