



230-RG4-SWE12

2018-Up Polaris Ranger Alpha12 Switcher Box Mounting Kit

SSV WORKS, 201 N. Rice Ave Unit A, Oxnard, CA 93030

www.SSVworks.com | Phone: 818-991-1778 | Fax: 866-293-6751

WARRANTY INFORMATION:

All SWITCH Works Electronics are covered by a limited 1 year warranty against defects in material or workmanship. Contact SSV Works for further warranty information.



Please read and understand these instructions completely before installation to avoid possible injury, or damage to the accessory or vehicle.



BY





Ranger SWE-12 Module Mounting Plate [B-A3293]



Ranger RAM Mount Mounting Plate [B-A3322]



Push Rivet (x4) [B-HPSR-4]



M5 Phillips Screw and Flat Washer (x4) [B-S1158]



4-40x0.375 Fine Thread Cutting Screw (x4) [B-S3262]



#12x0.75 Phillips Screw (x4) [B-HP3300]



INSTALLATION

WARRANTY INFORMATION:

All SSV Works enclosures are covered by a limited lifetime warranty against defects in material or workmanship. All SSV Works Electronics are covered by a limited 1 year warranty against defects in material or workmanship. Labor for replacement of defective components is not covered. Contact SSV Works for further warranty information.



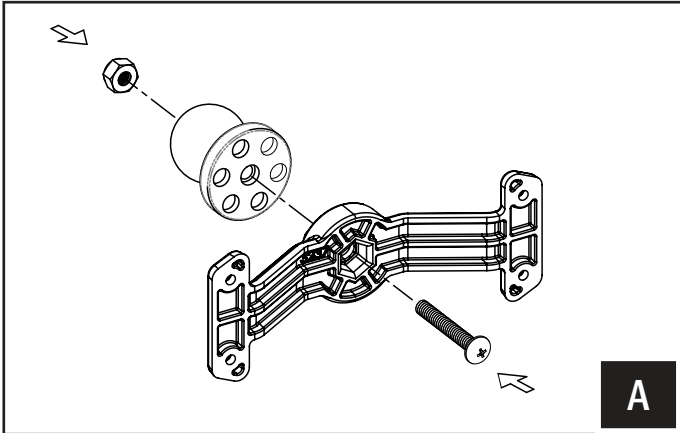
Please read and understand these instructions completely before installation to avoid possible injury, or damage to the accessory or vehicle.

TOOLS NEEDED FOR INSTALLATION

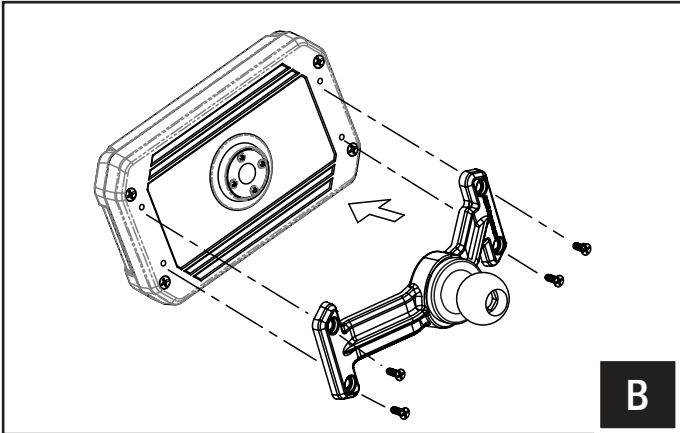
- Phillips Screw Driver
- 13mm wrench

NOTE: The RAM Mount Ball, Controller Mounting Bracket and mounting hardware are included in the ALPHA12 Kit.

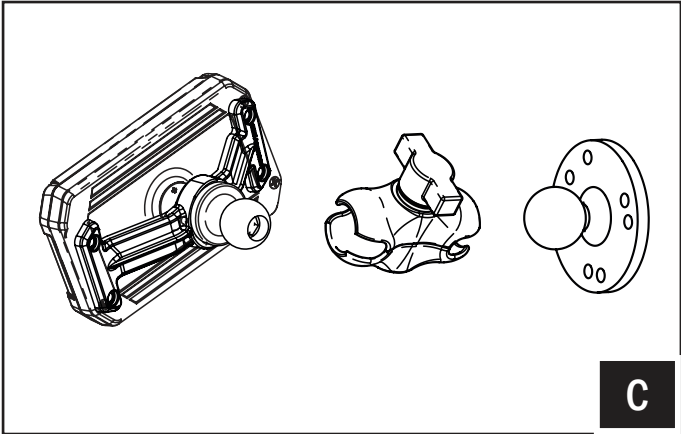
CONTROLLER RAM MOUNT ASSEMBLY



A. Attach the RAM Mount ball adapter to the Controller Mounting bracket using the 1 3/8" pan head screw and locknut.



B. Attach the Controller Mounting Bracket to the 15-Button Controller using the (4) 4-40x0.75 Thread cutting screws.



C. Insert the 15-Button Touch screen with the RAM Mount ball and the RAM Mount base to the Double Socket Arm and tighten the T-knob.

SWITCH Works 15-Button Controller Installation

TOOLS NEEDED FOR INSTALLATION

- Phillips Screw Driver
- 5/8" and 5/16" Drill Bit
- Drill



A. Place the Ranger RAM Mount mounting plate in the dash pocket and mark drill holes on the 4 corner holes .



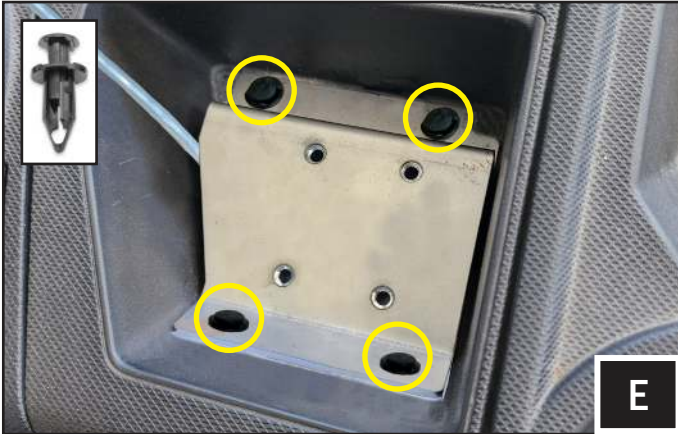
B. Drill (4) holes for the push rivets using a 5/16"holes drill bit.



C. Drill a 5/8" hole in the middle of the dash pocket for the controller cable.



D. Insert the 15-button controller cable through the middle hole in the dash pocket.



E. Use (4) push-in rivets to secure the Ranger RAM Mount mounting plate to the dash pocket.



F. Mount the 15-button with RAM Mount to the mounting plate using (4) M5x16mm Pan-Head screws (B-S2708) included in the ALPHA12 kit.

SWITCH Works Brain Module Installation

TOOLS NEEDED FOR INSTALLATION

- Phillips Screw Driver
- 13mm Socket Wrench



A. Mount the ALPHA12 Brain module to the Ranger brain module bracket [B-A3293] using (4) M5x10mm Phillips screws [B-S1158] and washers.



B. Use the (4) #12x0.75" self tapping Phillips screws [B-HP3300], included in the kit, to secure the Ranger brain bracket to firewall below the busbar. Line up the bracket holes to the pre-existing screw bosses.



C. Run the power and ground wires from the ALPHA12 kit to the battery location. Battery is located under the front passenger seat on 2-door models and under the rear passenger seat in 4 door models.



H. Connect the accessories to the High and Low current harnesses and plug the harnesses to the brain module. NOTE that the 15 button controller MUST be plugged in to the module before connecting the power and ground cables to the battery. Snap on the terminal cover to the module's + terminal.



E. Refer to the SW-E12 instructions manual for a detailed installation and programming procedure of the SWITCH Works Alpha12.

THIS CONCLUDES THE INSTALLATION PROCESS. QUESTIONS? PLEASE CONTACT SSV WORKS AT 818-991-1778 OR EMAIL SUPPORT@SSVWORKS.COM



INSTALLATION




SWITCH Works is a product by SSV Works. We are committed to your satisfaction and we know you will enjoy our products. If you have questions or need any assistance, please let us know.


 SSVWORKS.COM
 1-818-991-1778 EXT 2
 SUPPORT@SSVWORKS.COM

Returns must be made within 30 days of purchase date. Claims for missing items or items damaged in transit must be received within five business days of receipt of merchandise. All returns must be in original packaging and in re-sellable condition. Shipping fees are not refundable.