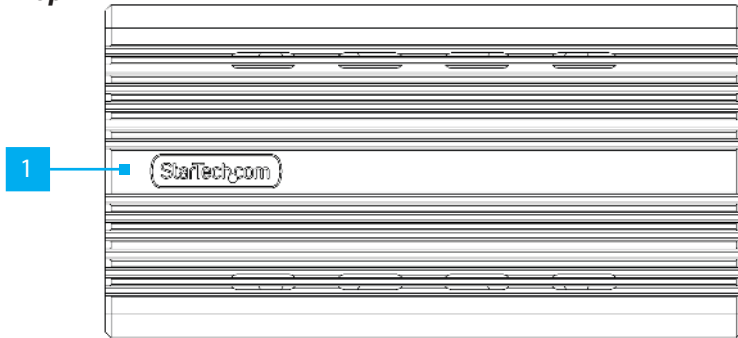


M.2 NVMe SSD Enclosure - USB4 (40Gbps)

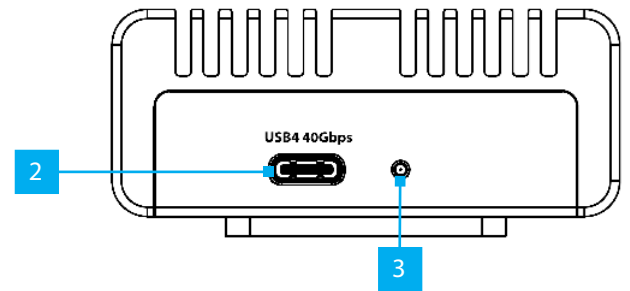
Product ID

1USB4-NVME-ENCLOSURE

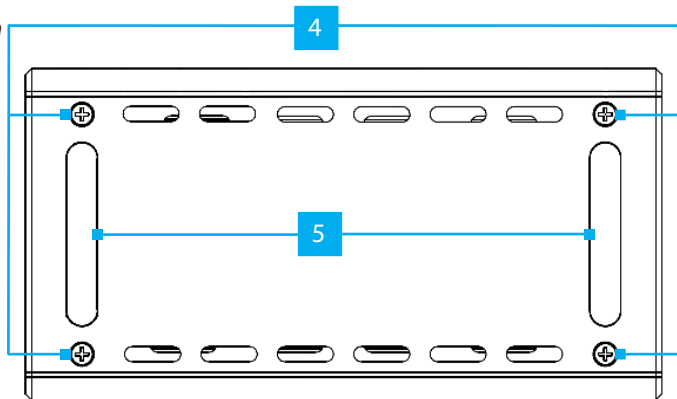
Top



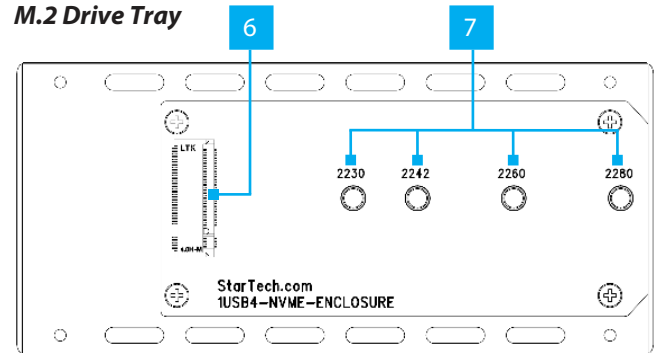
Front



Bottom



M.2 Drive Tray



Component	Function
1 Enclosure Cover	<ul style="list-style-type: none"> Protects the M.2 NVMe Drive Heatsink-style design for heat dissipation
2 USB-C 40Gbps Port	<ul style="list-style-type: none"> Connect the M.2 NVMe Enclosure to an available USB-C Port on a Host Computer
3 Drive LED	<ul style="list-style-type: none"> Solid LED: Drive detected Quick-Flashing LED: Read/Write Activity
4 Enclosure Cover Screws	<ul style="list-style-type: none"> Secures the Enclosure Cover to the M.2 NVMe Enclosure
5 Silicone Foot Pads	<ul style="list-style-type: none"> Provides grip and stability Protects the desk surface from scratches
6 M.2 NVMe Drive Slot	<ul style="list-style-type: none"> Insert an M.2 NVMe Drive Supports M-key M.2 NVMe SSDs
7 M.2 NVMe Drive Mounting Holes	<ul style="list-style-type: none"> Use the M.2 Rubber Standoff to secure the M.2 NVMe Drive Supports 2230/2242/2260/2280 drive lengths

Requirements

- M.2 NVMe Drive

For the latest product information, technical specifications, and declarations of conformance, please visit: www.StarTech.com/1USB4-NVME-ENCLOSURE

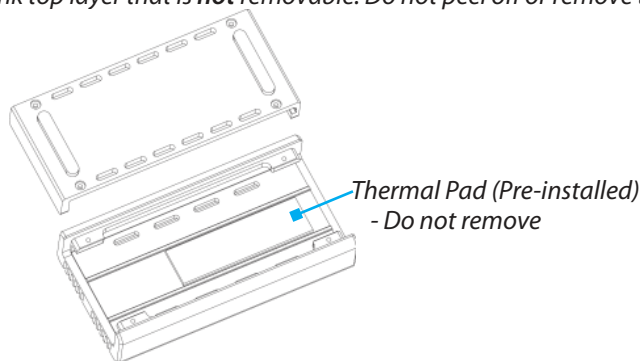
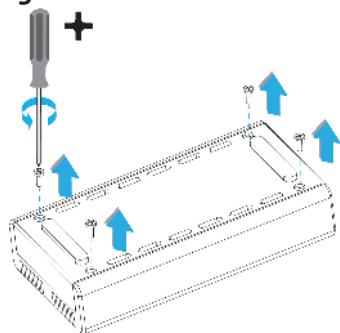
Package Contents

- M.2 NVMe Enclosure x 1
- Thermal Pad (Pre-installed) x 1
- USB-C Cable x 1
- Philips Head Screwdriver x 1
- Quick-Start Guide x 1

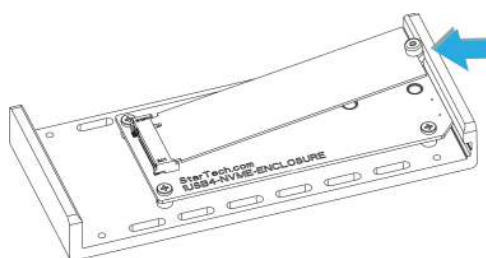
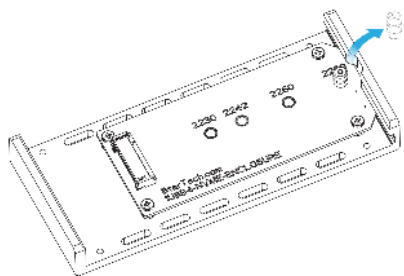
Installation

1. Loosen and remove all four **Enclosure Cover Screws** using the **Philips Head Screwdriver**. Lift up to separate the **Drive Tray** from the **Enclosure Cover**.

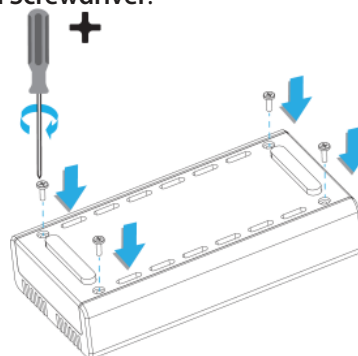
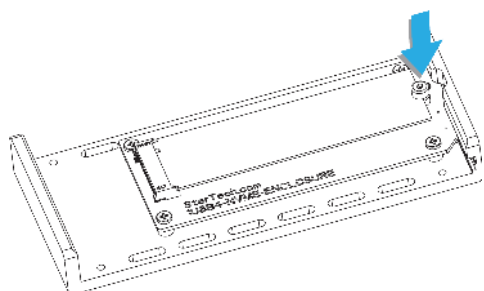
Warning! The Thermal Pad under the Enclosure Cover has a pink top layer that is **not** removable. Do not peel off or remove this layer.



2. Remove the **M.2 Rubber Standoff** from the **Drive Tray**. Gently Insert the **M.2 NVMe Drive** as shown.



3. Use the **M.2 Rubber Standoff** to secure the **M.2 NVMe Drive** into the corresponding hole in the **Drive Tray**. Re-attach the **Enclosure Cover** to the **Drive Tray**. Tighten all four screws using the **Philips Head Screwdriver**.



Operation

Warning! M.2 Drives can become hot during prolonged data transfer sessions. Avoid touching the M.2 Drives immediately after use to prevent burns or damage. Allow the drives to cool down before removing/handling.

1. Connect the included **USB-C Cable** from the **USB-C Port** located on the front of the **M.2 NVMe Enclosure** to a **USB-C Port** on the **Host Computer**. The **Host Computer** will automatically detect and install the required **Drivers**.
2. For best performance, enable Write Cache Disk Performance settings in Windows using the steps below:
 - a. Right-click the **Windows Start Icon** and select **Disk Management**
 - b. In **Disk Management**, right-click on the drive associated with the **M.2 Drive** in the **NVMe Enclosure**, and select **Properties**
 - c. Click on the **Policies** tab (see Figure 1). Select **'Better Performance'** under **Removal Policy**, and check **'Enable Write Caching on the Device'** under **Write-caching policy**, and then click **OK**.

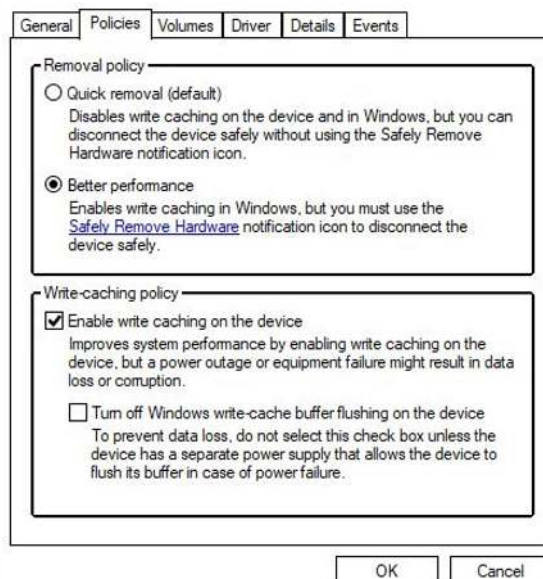


Figure 1



HQ Contact:
StarTech.com Ltd.
45 Artisans Crescent,
London, ON N5V 5E9,
Canada

US Contact:
StarTech.com USA LLP
4490 South Hamilton Rd,
Groveport, OH 43125,
United States

UK Contact:
StarTech.com Ltd.
15 Gowerton Rd,
Northampton, NN4 7BW,
United Kingdom

EU Contact:
StarTech.com Ltd.
Siriusdreef 17-27
2132 WT Hoofddorp
The Netherlands

JP Contact:
StarTech.com K.K.
Atelier Yours Ogawamachi 7F
1-10-2 Kanda Ogawamachi
Chiyoda-ku, Tokyo 101-0052
Japan

FR: startech.com/fr
DE: startech.com/de
ES: startech.com/es
NL: startech.com/nl
IT: startech.com/it
JP: startech.com/jp