



ITEM #4976292

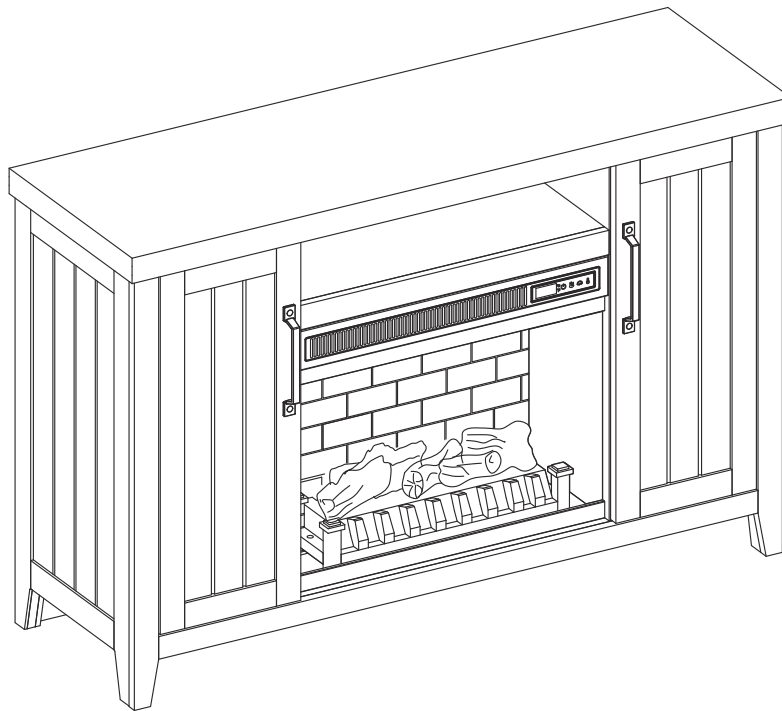
ELECTRIC FIREPLACE MEDIA MANTEL

STYLE SELECTIONS and logo design are trademarks or registered trademarks of LF, LLC. All rights reserved.

MODEL #1730FM-23-273

Español p. 23

ATTACH YOUR RECEIPT HERE



Serial Number _____ Purchase Date _____

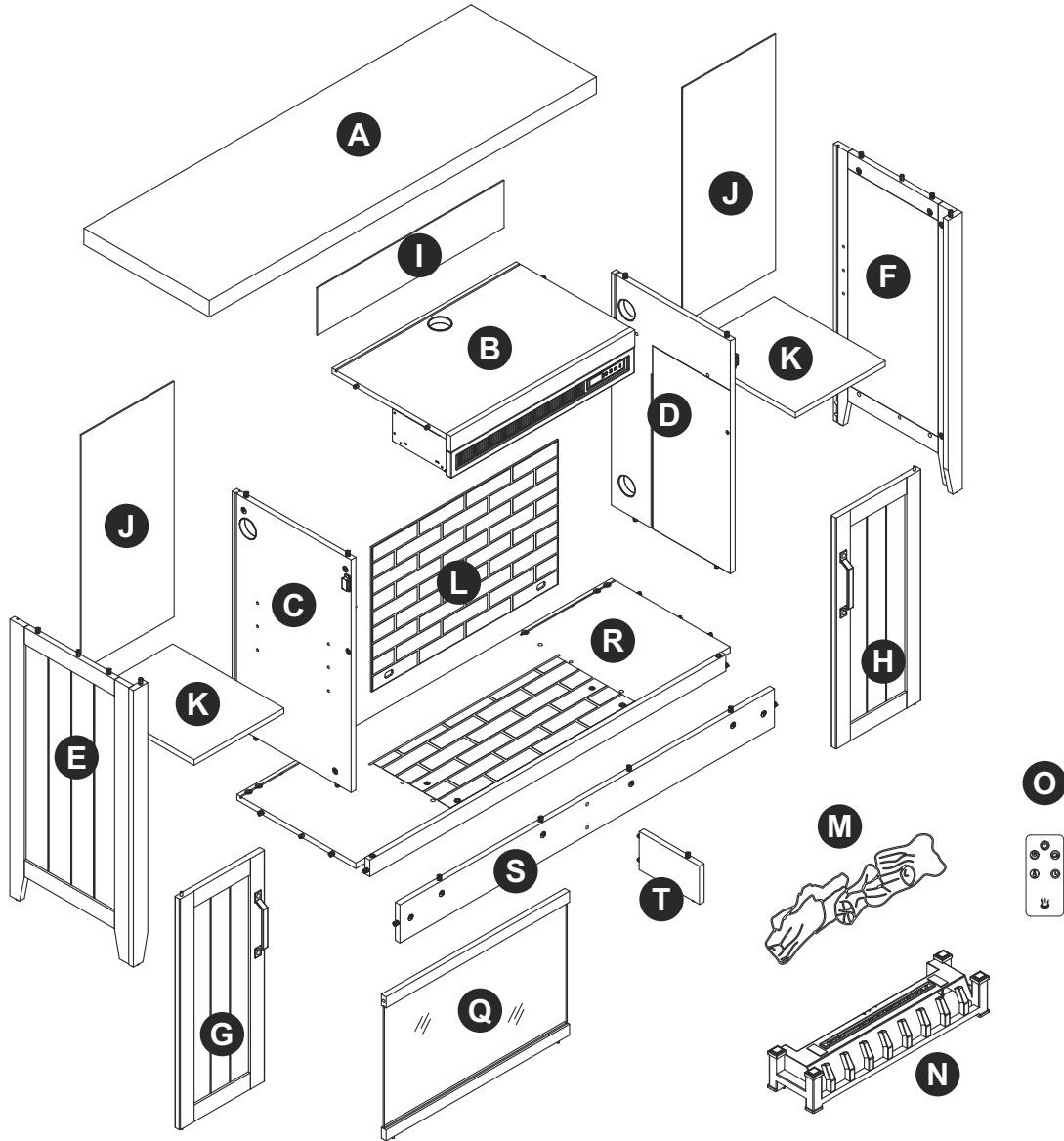
Questions, problems, missing parts? Before returning to your retailer, call our customer service department at 877-888-8225, 8 a.m. - 8 p.m., EST, Monday - Sunday. You could also contact us at partsplus@lowes.com.

AS22230

TABLE OF CONTENTS

Package Contents	3
Hardware Contents.....	4
Safety Information	4
Preparation	8
Assembly Instructions.....	8
Maximum Recommended Weight Loads.....	16
Operating Instructions	17
Care And Maintenance	19
Troubleshooting	20
One-Year Limited Warranty	21
Replacement Parts List	22

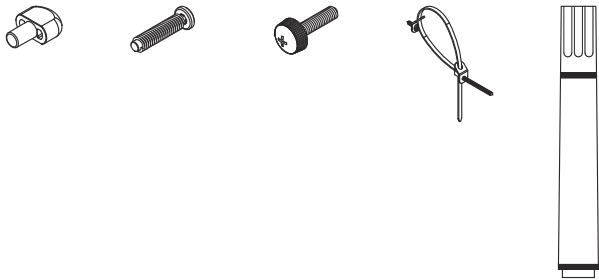
PACKAGE CONTENTS



PART	DESCRIPTION	QUANTITY	PART	DESCRIPTION	QUANTITY
A	Top	1	K	Shelf	2
B	Center Shelf	1	L	Fireplace Brick Wall	1
C	Left Middle Wall	1	M	Fire Log	1
D	Right Middle Wall	1	N	Fireplace Grate	1
E	Left Outer Wall	1	O	Remote Control (Battery Inside)	1
F	Right Outer Wall	1	Q	Fireplace Glass Front	1
G	Left Door	1	R	Base Panel	1
H	Right Door	1	S	Base Panel Rail	1
I	Center Back Panel	1	T	Base Panel Support	1
J	Back Panel	2			

HARDWARE CONTENTS (NOT SHOWN ACTUAL SIZE)

AA BB CC DD EE



PART	DESCRIPTION	QUANTITY
AA	Shelf Pin	8
BB	Bolt	2
CC	Bolt with Knob	2
DD	Tip Restraint Hardware	2
EE	Touch-up Pen	1

! SAFETY INFORMATION

Please read and understand this entire manual before attempting to assemble, operate or install the product.

This equipment has been tested and found to comply with the limits for Class B digital devices, pursuant to Part 15 of the FCC rules. These limits are designed to provide reasonable protection against harmful interference in a residential installation. The equipment generates, uses and can radiate radio frequency energy and, if not installed and used in accordance with the instructions, may cause harmful interference to radio or television reception, which can be determined by turning the equipment off and on. The user is encouraged to try and correct the interference by one or more of the following measures:

- Reorient or relocate the receiving antenna.
- Increase the separation between the equipment and the receiver.
- Connect the equipment into an outlet on a circuit different from that to which the receiver is connected.
- Consult the dealer or an experienced radio/TV technician for help.

This device complies with Part 15 of the FCC rules.

Operation is subject to the following two conditions:

1. This device may not cause harmful interference, and
2. This device must accept any interference received, including interference that may cause undesired operation.

SAFETY INFORMATION (CONTINUED)

Modifications not approved by the party responsible for compliance could void user's authority to operate the equipment.

This Class B digital apparatus complies with Canadian ICES-003.

IMPORTANT INSTRUCTIONS

When using electrical appliances, basic precautions should always be followed to reduce the risk of fire, electric shock and injury to persons, including the following:



DANGER

- To reduce the risk of electrical shock, ensure the product is stable and avoid tipping.
- Read all instructions before installing or using this heater.
- If the information in this manual is not followed exactly, an electric shock or fire may result causing property damage, personal injury or loss of life.
- **ALWAYS** unplug this appliance/furnishing from the electrical outlet before cleaning or servicing.
- This product is intended to fit most plasma and LCD televisions (up to 50 inches and weighing a maximum of 58 pounds). Using this item with loads heavier than the stated maximum can result in tipping and/or instability, which can result in injury or even death.



WARNING

- This appliance is hot when in use. To avoid burns, **DO NOT** let bare skin touch hot surfaces. Keep combustible material, such as furniture, pillows, bedding, papers, clothes and curtains at least 3 feet from this appliance and keep them away from the sides and rear.
- Extreme caution is necessary when any heater is used by or near children or individuals with disabilities and whenever the fireplace is left operating and unattended.
- **DO NOT** run cord under carpeting. **DO NOT** cover cord with throw rugs, runners, or similar coverings.
- **DO NOT** route cord under furniture or appliances. Arrange cord away from traffic areas and where it will not be tripped over.
- **DO NOT** insert or allow foreign objects to enter any ventilation or exhaust opening as this may cause an electric shock or fire or damage the appliance.
- This appliance has hot and arcing or sparking parts inside. **DO NOT** use it in areas where gasoline, paint or flammable vapors or liquids are used or stored. This fireplace should not be used as a drying rack for clothing. Christmas stockings or decorations should not be hung in the area of it.
- Use this appliance only as described in the manual. Any other use is **NOT** recommended by the manufacturer and may cause fire, electric shock or injury to persons.
- Reduce the risk of burns, fire, electrical shock, or injury to persons:
- Unplug from outlet before putting on or taking off parts.
- Close supervision is necessary when this furnishing is used by, or near children, invalids, or disabled persons.
- Use this furnishing only for its intended use as described in these instructions. **DO NOT** use attachments not recommended by the manufacturer.
- Keep the cord away from heated surfaces.
- Never operate the furnishing with the air openings blocked. Keep the air openings free of lint, hair, and other debris.
- Never drop or insert any object into any opening.
- **DO NOT** operate where aerosol (spray) products are being used or where oxygen is being administered.
- To disconnect, turn all controls to the off position, then remove plug from outlet.
- Each surface intended to support a load shall have a corresponding statement in the use instructions specifying the maximum intended load for that surface in pounds (kilograms).
- Risk of electric shock-connect this furnishing to a properly grounded outlet only. See Grounding Instructions.

SAFETY INFORMATION (CONTINUED)

- To avoid electric shock, fire, or injury, review the assembly instruction to confirm that the appropriate critical components and accessories are being used with the furnishing.
- Death or serious injury may occur when children climb on audio and/or video equipment furniture. A remote control or toys placed on the furnishing may encourage a child to climb on the furnishing and as a result the furnishing may tip over on to the child.
- Relocating audio and/or video equipment to furniture not specifically designed to support audio and/or video equipment may result in death or serious injury due to the furnishing collapsing or overturning onto a child.
- To disconnect this appliance, turn controls to the OFF position, then remove plug from outlet.
- **ONLY** connect to properly grounded outlets.
- This appliance, when installed, must be electrically grounded in accordance with local codes, with the current CSA C22.1 Canadian Electrical Code or follow U.S.A. Installations, follow local codes and the National Electrical Code, ANSI/NFPA N0.70.
- To prevent a possible fire, **DO NOT** block air intakes or exhaust in any manner. **DO NOT** use on soft surfaces, like a bed, where opening may become blocked.
- The heaters **MUST NOT** be located immediately below a socket-outlet.

CAUTION

- **DO NOT** operate any heater with a damaged cord or plug or after the heater malfunctions. **DO NOT** operate any heater if it has been dropped or damaged in any manner. Disconnect power at service panel and have heater inspected by a reputable electrician before reusing.
- Any repairs to this fireplace should be carried out by a qualified service person.
- Under no circumstances should this fireplace be modified. Parts having to be removed for servicing must be replaced prior to operating this fireplace again.
- Household use only.
- **DO NOT** use outdoors.
- **“WARNING** – Death or serious injury may occur when children climb on audio and/or video equipment furniture. A remote control or toys placed on the furnishing may encourage a child to climb on the furnishing and as a result the furnishing may tip over on to the child”.
- **“WARNING** – Relocating audio and/or video equipment to furniture not specifically designed to support audio and/or video equipment may result in death or serious injury due to the furnishing collapsing or overturning onto a child”.
- This heater is not intended for use in bathrooms, laundry areas and similar indoor locations. **NEVER** place heater where it may fall into a bathtub or other water container.
- **ALWAYS** plug heaters directly into a wall outlet / receptacle. **NEVER** use with an extension cord or re-loadable power tap (outlet / power strip).
- **DO NOT** slide insert on top of wood to avoid scratching wood surface.
- **DO NOT** place any object on top of the insert or block the air intakes / vents as this can cause the unit to overheat and could cause a fire.

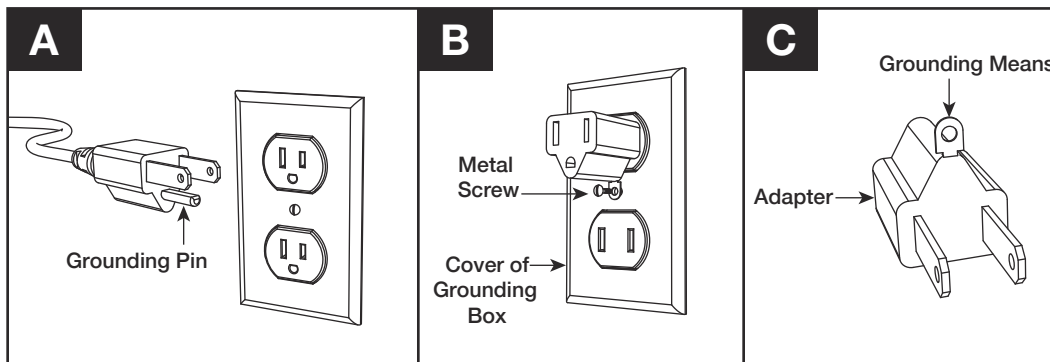
SAFETY INFORMATION (CONTINUED)

Electrical Connection

- A 15-Amp, 120-volt, 60 Hz circuit with a properly grounded outlet is required. Preferably, the fireplace will be on a dedicated circuit as other appliances on the same circuit may cause the circuit breaker to trip or the fuse to blow when the heater is in operation. The unit comes standard with 6-ft. three-wire cord, exiting from the rear of the fireplace. **DO NOT** exceed the current rating of the current tap.

Grounding Instructions

- This heater is for use on 120-volt. The cord has a plug as shown below. See illustration or grounding instruction. An adapter as shown at C is available for connecting three-blade grounding type plugs to two-slot receptacles. The green grounding plug extending from the adapter must be connected to a permanent ground such as a properly grounded outlet box. The adapter should not be used if a three-slot grounded receptacle is available.



SAVE THESE INSTRUCTIONS

PREPARATION

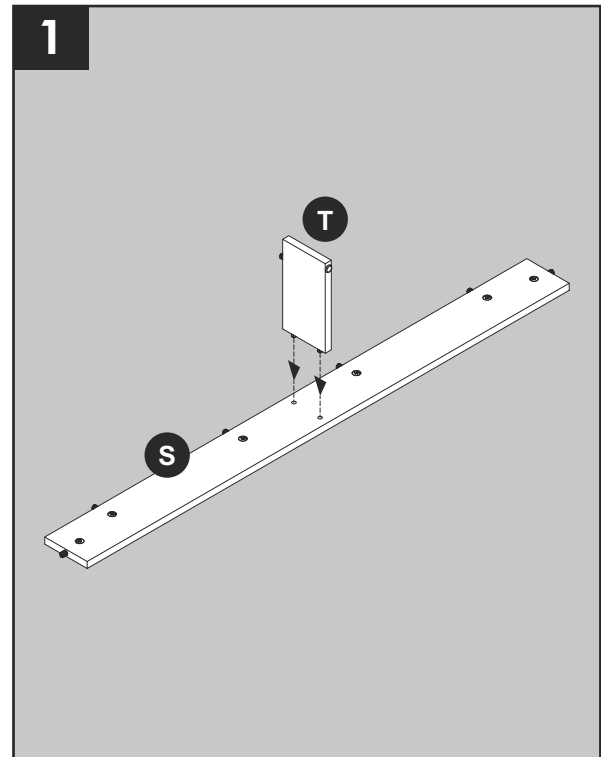
Before beginning assembly of product, make sure all parts are present. Compare parts with package contents list and hardware contents list. If any part is missing or damaged, do not attempt to assemble the product.

Estimated Assembly Time: 50 minutes

Tools Required for Assembly (not included): Phillips screwdriver

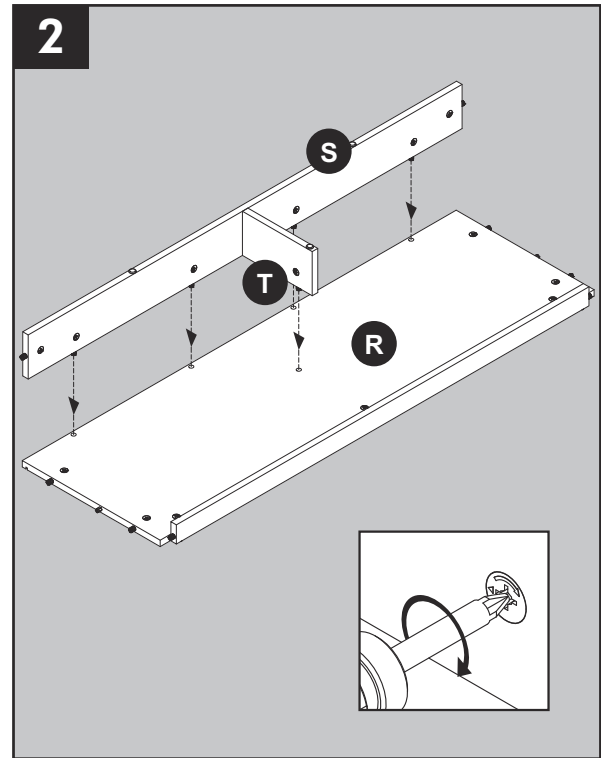
ASSEMBLY INSTRUCTIONS

1. Attach the base panel support (T) into the holes on the bottom panel rail (S).



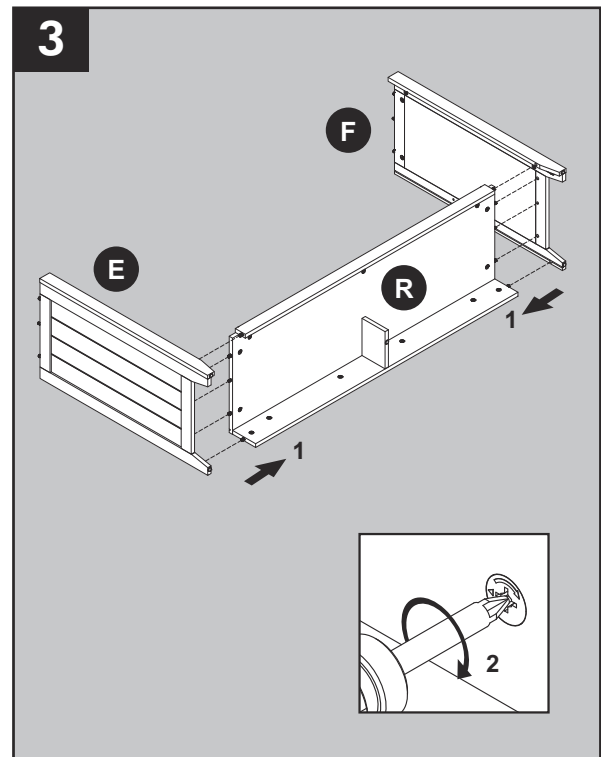
ASSEMBLY INSTRUCTIONS (CONTINUED)

2. Insert the assembled base panel rail (S, T) into the holes on the base panel (R). Using the Phillips head screwdriver to turn the locking nut in clockwise direction up to 180° from the connection joint to properly secure the panels.



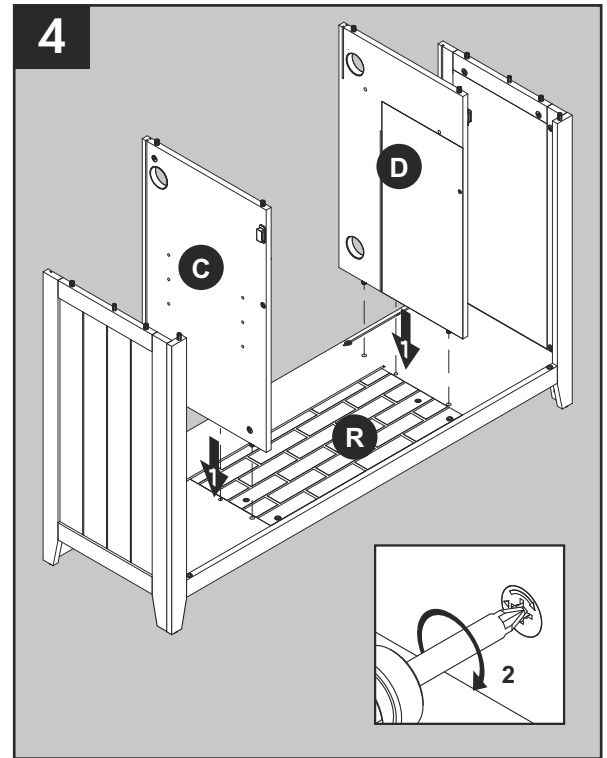
3. Attached the outer walls (E, F) to the assembled base panel (R). Turn the locking nut in clockwise direction up to 180° from the connection joint to properly secure the walls.

Turn the assembled parts upright.



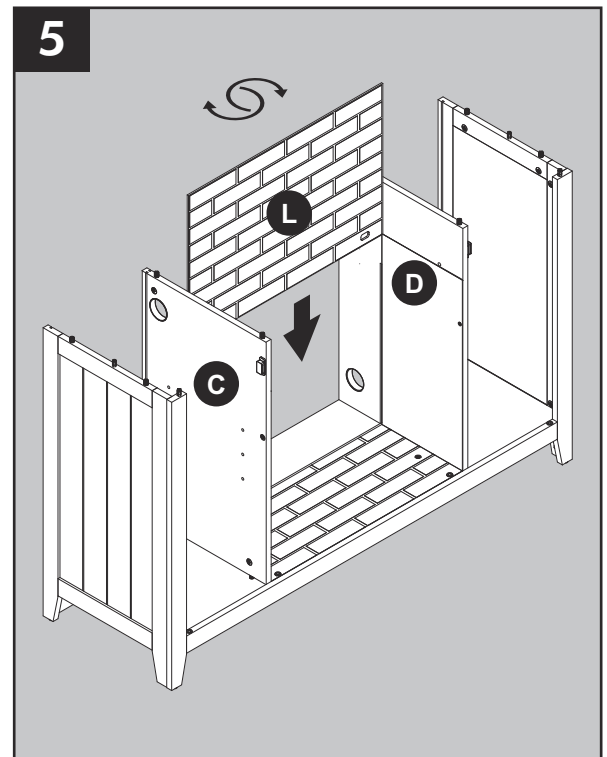
ASSEMBLY INSTRUCTIONS (CONTINUED)

4. Attach the middle walls (C, D) into the holes in the middle of the base panel (R). Turn the locking nut in clockwise direction up to 180° from the connection joint to properly secure the walls.



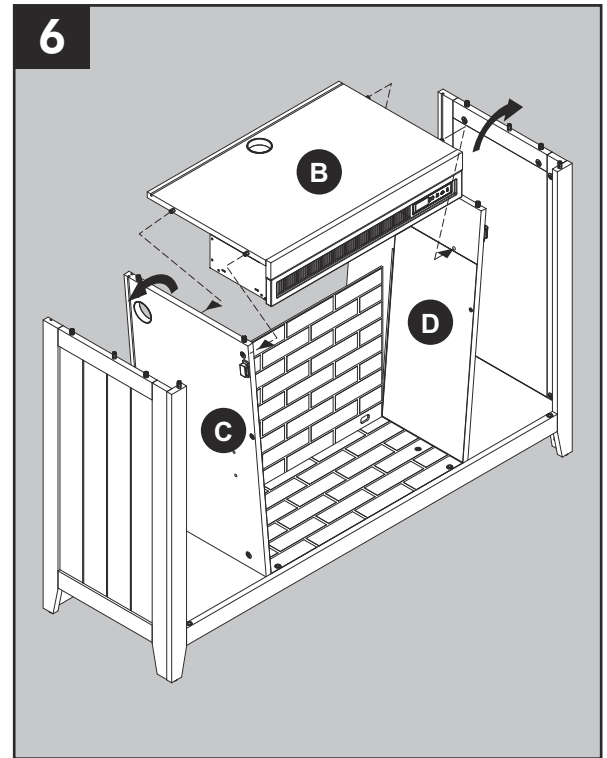
5. Insert the fireplace brick wall (L) into the middle of the cabinet by sliding it downwards along the grooves on the middle walls (C, D).

Note: The fireplace brick wall (L) is reversible. Choose black or brick pattern for your firebox.

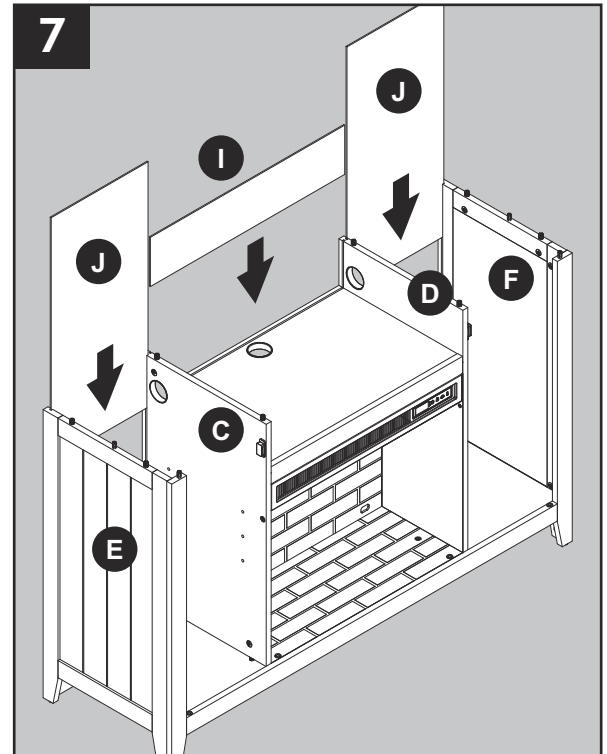


ASSEMBLY INSTRUCTIONS (CONTINUED)

6. Tilt the middle walls (C, D) slightly outwards and attach the center shelf (B) to the middle walls. Make sure the middle walls are pushed back to vertical position to secure the center shelf.

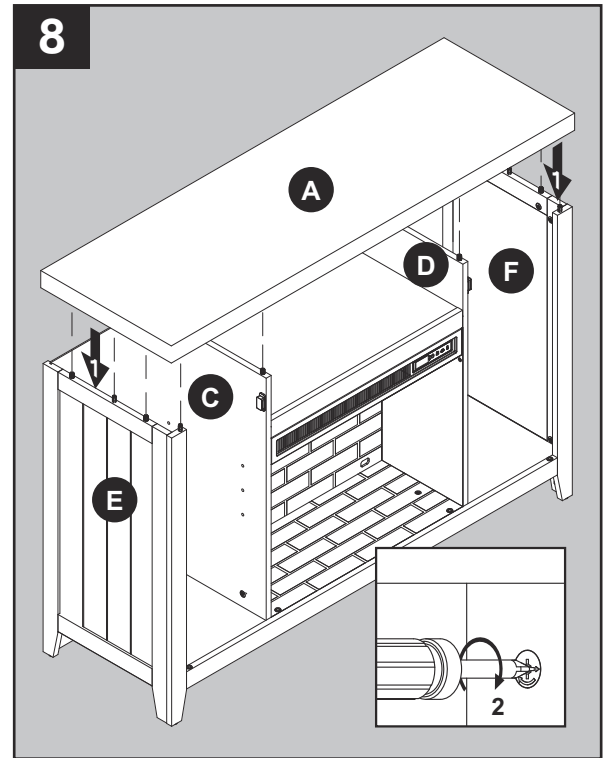


7. As shown in the diagram, insert the center back panel (I) and back panels (J) along the grooves of the middle walls (C, D) and outer walls (E, F).



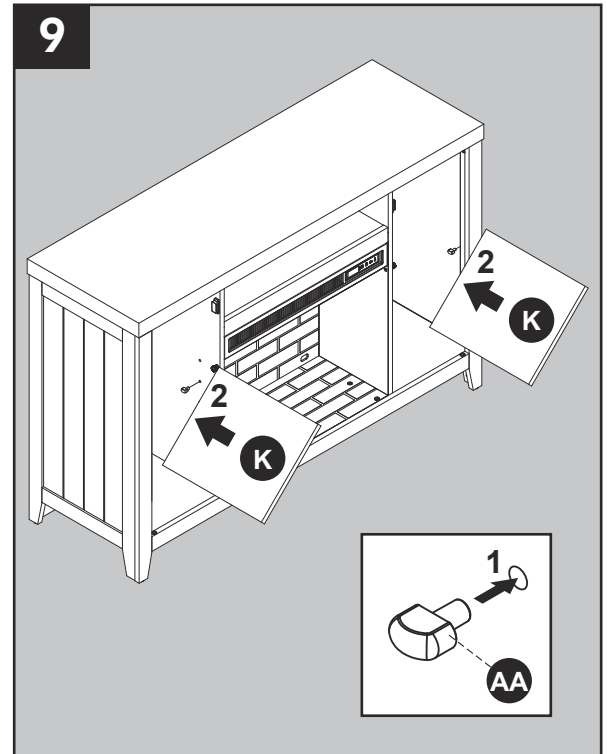
ASSEMBLY INSTRUCTIONS (CONTINUED)

8. Assemble the top (A) onto the middle walls (C, D) and outer walls (E, F). Turn the locking nut in clockwise direction up to 180° from the connection joint to properly secure the top.



9. Insert shelf pins (AA) at desired height, ensuring they are level. Place shelf (K) on top of shelf pins (AA).

Repeat for the remaining shelf (K).



Hardware Used

AA Shelf Pin



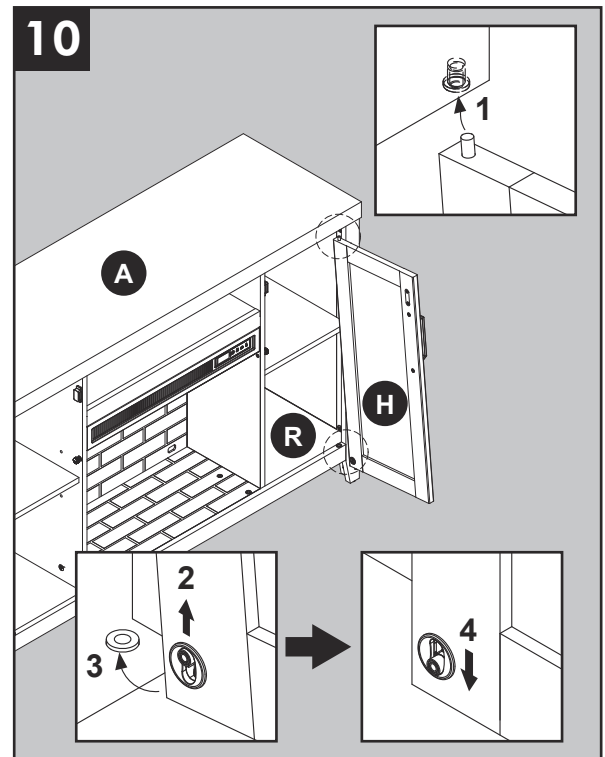
x 8

ASSEMBLY INSTRUCTIONS (CONTINUED)

10. Insert the top pin of the right door (H) into the hole of the plastic nut under the top (A). Pull the latch to re-tract the pin on the bottom of the right door (H) and position it over the hole of the plastic nut on the base panel (R). Release the latch to secure the bottom pin into the base panel (R).

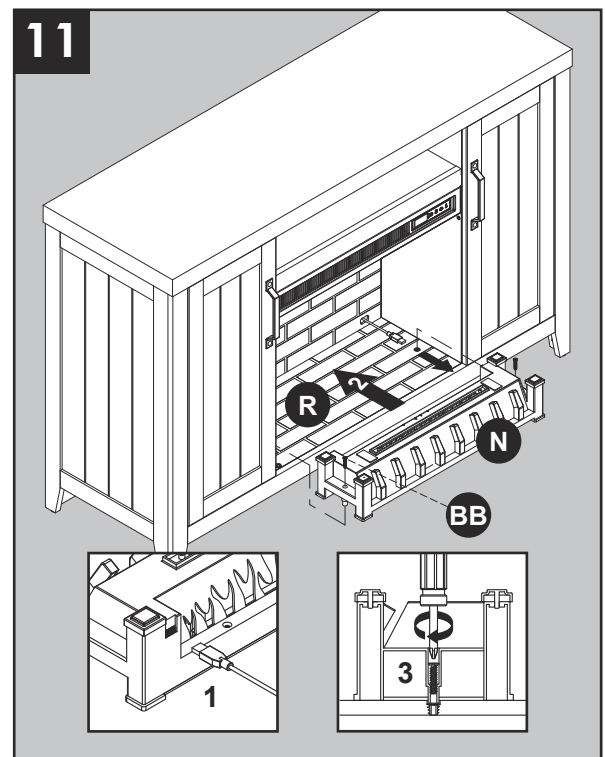
Repeat for the other left door (G).

To remove the doors, push up the latch on the bottom pin and the door can be released from the console.



11. Connect the USB cable into the USB port behind the fireplace grate (N).

Position the fireplace grate (N) by matching the pin on the bottom of the fireplace grate (N) to the holes on the base panel (R). Secure the fireplace grate using two bolts (BB).



Hardware Used

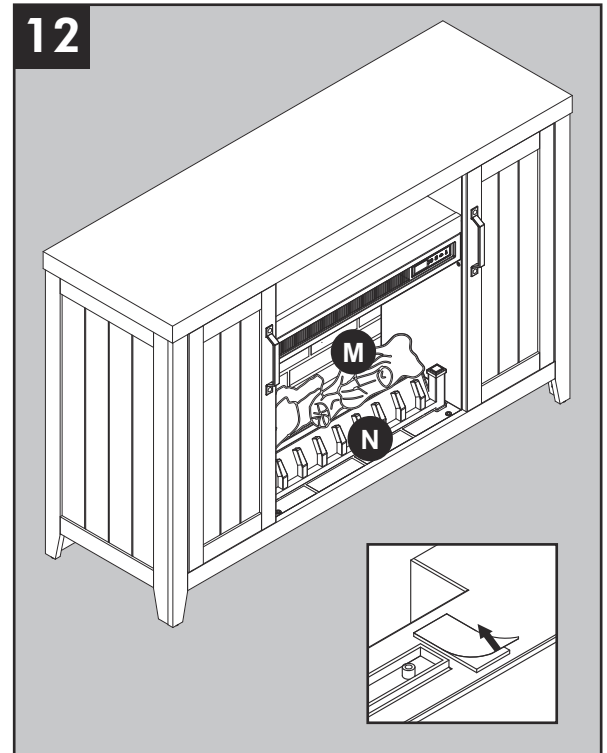
BB Bolt



x 2

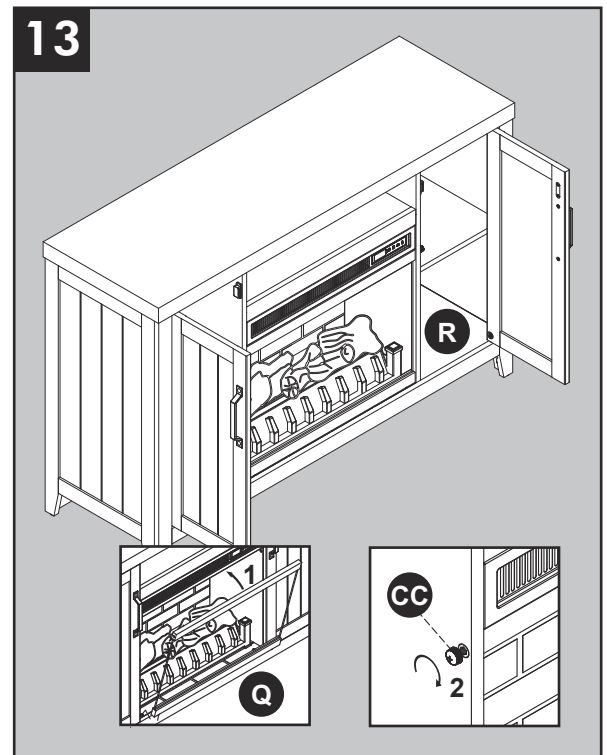
ASSEMBLY INSTRUCTIONS (CONTINUED)

12. Remove the film from the adhesive on the top of the fireplace grate (N) and place the fire log (M) on the center of the fireplace grate (N).



13. Insert the pins at the fireplace glass front (Q) onto the holes of the plastic nuts on the base panel (R).

Push the top of the fireplace glass front (Q) inward until the hole on the side frame is adjacent to the hole on the middle walls. Screw the fireplace glass front (Q) from inside the left and right middle walls using bolt with knob (CC).



Hardware Used

CC Bolt with Knob



x 2

ASSEMBLY INSTRUCTIONS (CONTINUED)

WARNING: You must install the tip restraint hardware to help prevent any accidents or damage to the unit. We strongly recommend attaching the tip restraint hardware to a wall stud and your unit. For all other wall types, please visit your local hardware store to obtain the proper hardware.

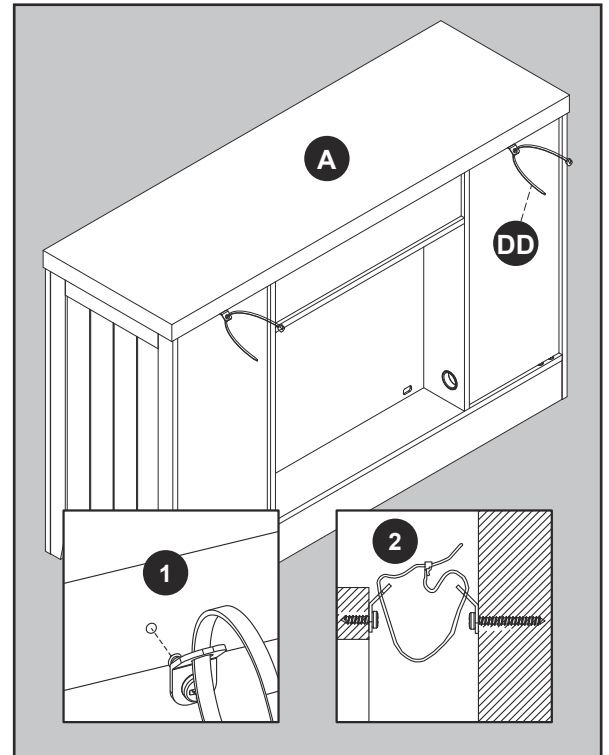
Assembly is now complete. With the help of another person, move the unit to the final desired position. Once in the final position, you may attach the tip restraint hardware to the wall. You may now plug the heater into the power outlet.

Hardware Used

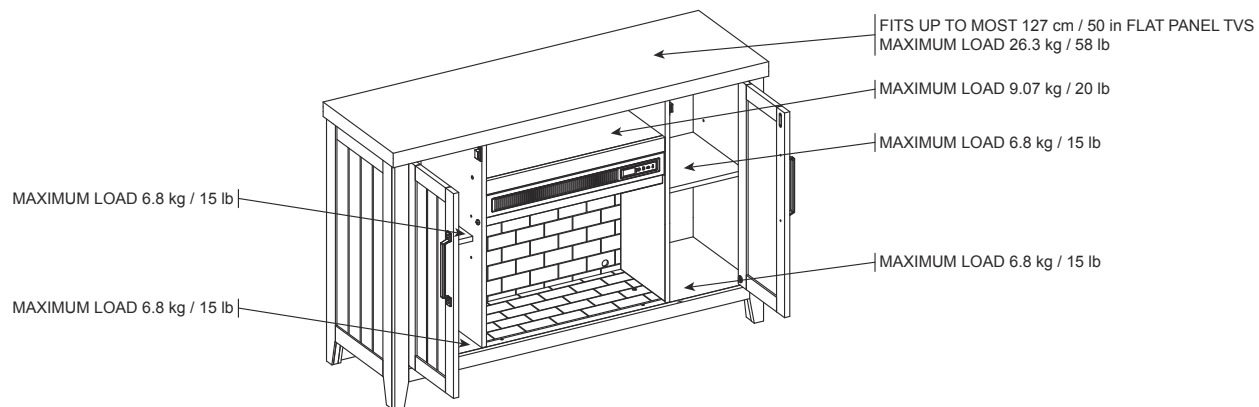
DD Tip Restraint Hardware



x 2



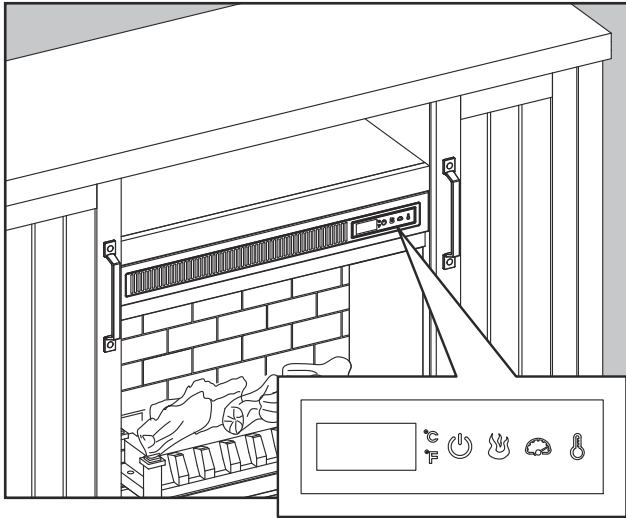
MAXIMUM RECOMMENDED WEIGHT LOADS



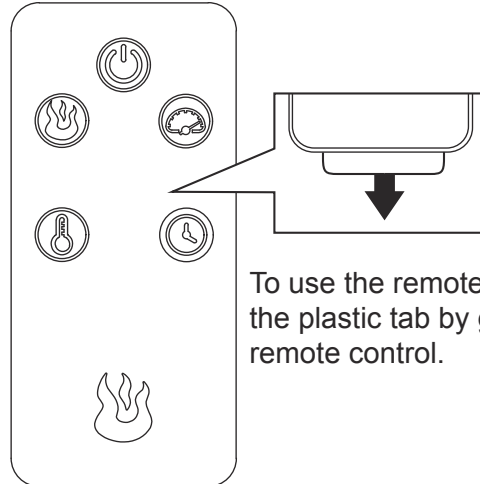
⚠ CAUTION: This console is intended for use with flat panel TV's only. Do not exceed the maximum weights indicated. Use with products heavier than the maximum weights may result in instability causing possible injury.

OPERATING INSTRUCTIONS

Control Panel



Remote Control



To use the remote control, first remove the plastic tab by gently pulling it out of remote control.

Controls and Display

The control panel will display the heater setting when the unit power is turned ON. Whichever control icon you press will display the current setting of the corresponding function. Press the control icon again to adjust the setting. Following adjustment of any setting(s), the unit will resume to display the heater setting after 5 seconds.



Power Function

- When the unit is plugged-in but not in use, F or C will illuminate to indicate that it is in stand-by mode.
- Press the POWER ICON to turn the main power to the unit ON or OFF.
- When the unit is powered ON, the control panel will display the heater setting to indicate the unit has power.
- Functions stored in memory will resume at the last setting.
- When the unit is powered OFF, the fan will continue to blow for a 40 second cool-down cycle prior to shutting down (a countdown will be displayed).



Flame Brightness Function

- Press the FLAME BRIGHTNESS ICON to display the current flame brightness setting.
- Press the FLAME BRIGHTNESS ICON again to scroll down through the flame brightness settings: 5, 4, 3, 2, 1, OF (OFF).



Flame Speed Function

- Press the FLAME SPEED ICON to display the current flame speed setting.
- Press the FLAME SPEED ICON again to scroll down through the flame speed settings: 5, 4, 3, 2, 1.

OPERATING INSTRUCTIONS (CONTINUED)



Heater Function

- Press the HEATER ICON to display the current heater setting.
- Press the HEATER ICON again to scroll down through the heater settings.
Note: Long-hold the icon to quickly scroll through settings.
- Set the heater to “HI” (High) to have the heater run continually.
- Set the heater to “OF” (OFF) to use the flame functions without heat.
- This heater has a thermostat sensor to control the ambient temperature in the surrounding area of the fireplace. The heater will cycle ON and OFF to maintain the selected temperature. The thermostat setting range is 90°F (43°C) to 65°F (18°C).
Note: This may not exactly match the room thermostat reading as their sensors are located in different areas.
- Hold down the FLAME SPEED ICON for 10 seconds to toggle between Fahrenheit and Celsius. “F” or “C” will be displayed on the control panel (°F/°C can only be toggled from the control panel and will not work if using the remote control).
- See HEATER OVERRIDE section to disengage the heater.



Sleep Timer Function (Remote Control Only)

- The Sleep TIMER function will set a countdown to shut down the unit's main power.
- Press the TIMER ICON to display the current Sleep Timer setting.
- Press the TIMER ICON again to scroll through the timer settings, which are: 30 (minutes), 1H, 2H, 3H, 4H, 5H, 6H, 7H, 8H, 9H, OF (OFF).
- When the timer reaches zero, it will turn OFF the main power and will maintain all the settings in memory.

HEATER OVERRIDE

The power to the heater can be disengaged to prevent the heater from being accidentally or unintentionally powered on. This feature is primarily added to help prevent children from powering on the heater when it is not desired.

Note: The heater override can only be set from the control panel and will not work if using the remote control.

- First turn the main power OFF. Press the POWER ICON; as the heater setting display is flashing, press the POWER ICON again and long-hold 20 seconds. The E3 symbol will display to indicate that the heater is now disengaged.
- **Note:** The Flame and Timer functions will operate normally. Only the heater is disengaged.
- Repeat the same process to re-engage the heater function. The E3 symbol will change back to display the heater setting when the heater is re-engaged.

MEMORY FUNCTION

- This unit has a memory function that allows you to turn off the MAIN POWER and retains all the other function settings (excluding the SLEEP TIMER function).

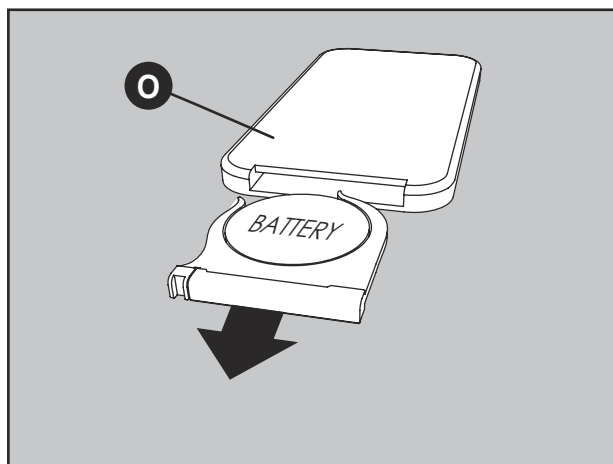
CARE AND MAINTENANCE

- Make sure the unit is turned OFF, unplugged and the heating elements of heater are cool whenever you are cleaning the heater or fireplace.
- Clean the metal trim using a water-dampened soft, clean cloth. **DO NOT** use brass polish or household cleaners as these products will damage the metal trim.
- The motors used on the fan and the flame generator assembly are pre-lubricated for extended bearing life and require no further lubrication. However, periodic cleaning/vacuuming of the fan/heater and air intake/output vents are recommended.
- When the heater is not in use, the power cord should be stored properly to avoid contact with hot or sharp objects.
- Any other servicing should be performed by an authorized service representative.
- Tips for using touch-up pen (EE): For scratches, stroke in direction of scratch. For worn areas, stroke in the direction of wood grain. Rub excess colorant promptly with a soft cloth.

Replacing the Remote-Control Battery

When the remote control (O) stops operating or its range seems reduced, it is time to replace the battery. **Note:** The battery should be removed if the product is to be left unused for a long time.

1. The battery compartment is located on the back end of the remote control (O).
2. Press the small tab inward as you slide the battery door open and remove the old battery.
3. Insert a new CR2025 lithium battery (not included), checking that the + and - sides of the battery match the inside of the battery compartment.
4. Re-insert the battery door.



Note: Non-rechargeable battery is not to be recharged. Exhausted battery is to be removed from the product. Harmful if swallowed.

Disposal of Used Battery

A battery may contain hazardous substances that could be endangering the environment and human health.

- This symbol marked on the battery and/or packaging indicates that used battery shall not be treated as municipal waste. Instead, it shall be left at the appropriate collection point for recycling.
- By ensuring the used battery is disposed of correctly, you will help prevent potential negative consequences for the environment and human health. The recycling of materials will help to conserve natural resources.
- Do not dispose of battery in fire. Battery may explode or leak.

For more information about collection and recycling of used battery, please contact your local municipality, your waste disposal service or the point-of-sale where you purchased this battery.



TROUBLESHOOTING

PROBLEM	POSSIBLE CAUSE	CORRECTIVE ACTION
Error E1 displayed on control panel.	The overheat sensor has been engaged.	Unplug unit, wait 15-20 minutes, then the sensor will reset itself. Plug the unit back in and turn on the heater. If the problem persists, call customer service. Note: The other functions will work normally excluding the heater.
Error E2 displayed on control panel.	The thermostat sensor is broken or not working correctly.	Unplug unit, wait 15-20 minutes, then the sensor will reset itself. Plug the unit back in and turn on the heater. If the problem persists, call customer service. Note: The other functions will work normally excluding the heater.
Error E3 displayed on control panel.	Heater override function is engaged.	See page 18 Heater Override Section for more details.
No power.	The unit does not have power.	Check that the power cord is securely plugged into a standard 120V outlet. Then check to make sure the unit is powered on.
No flame effect but the unit is powered on.	The flame effect is powered off.	Push the flame brightness button until desired level is achieved.
	USB cable.	Connect the USB cable into the USB port behind the Fireplace Grate.
Heater and blower do not power on but rest of functions are working.	Heater setting.	Set the heater to "HI" (High) to have the heater run continually.
Power cord gets warm to the touch.	Normal operation.	This is normal for a heater appliance as it requires more current to operate. Check the connections of the appliance cord and the outlet. Make sure the plug fits tightly into the outlet. During use, check the plug and outlet frequently to determine if it is HOT; if so, discontinue use of the appliance and consult with a qualified technician to check or change the overheating outlet(s).
Remote control does not work.	Weak or failing battery.	Replace with 1 CR-2025 battery (See page 19 for more information).
Remote control signal is weak and only work sometimes.	Pressing the buttons too quickly.	Press the buttons slowly and steadily to ensure the transmitter recognizes the request.
	Using the remote control too far away or at an off angle.	Move closer to the insert; the remote control will only work within a distance of 20 feet and 45 degrees to either side from the front of the fireplace insert.
Fan motor continues to blow after the unit is powered off.	Normal operation.	This is a standard feature; the blower runs for an additional time to cool off the heater tubes.

ONE-YEAR LIMITED WARRANTY

The manufacturer warrants that your new electric fireplace is free from manufacturing and material defects for a period of one year from date of purchase, subject to the following conditions and limitations.

Install and operate this electric fireplace in accordance with the installation and operating instructions furnished with the product at all times. Any unauthorized repair, alteration, willful abuse, accident, or misuse of the product shall nullify this warranty.

This warranty is non-transferable, and is made to the original owner, provided that the purchase was made through an authorized supplier of the product.

The warranty is limited to the repair or replacement of part(s) found to be defective in material or workmanship, provided that such part(s) have been subjected to normal conditions of use and service, after said defect is confirmed by the manufacturer's inspection.

The manufacturer may, at its discretion, fully discharge all obligations with respect to this warranty by refunding the wholesale price of the defective part(s).

Any installation, labor, construction, transportation, or other related costs/expenses arising from defective part(s), repair, replacement, or otherwise of same, will not be covered by this warranty, nor shall the manufacturer assume responsibility for same.

The owner/user assumes all other risks, if any, including the risk of any direct, indirect or consequential loss or damage arising out of the use, or inability to use the product, except as provided by law.

All other warranties-expressed or implied-with respect to the product, its components and accessories, or any obligations/liabilities on the part of the manufacturer are hereby expressly excluded.

The manufacturer neither assumes, nor authorizes any third party to assume on its behalf, any other liabilities with respect to the sale of the product.

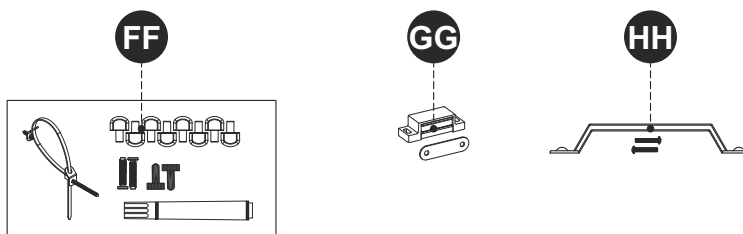
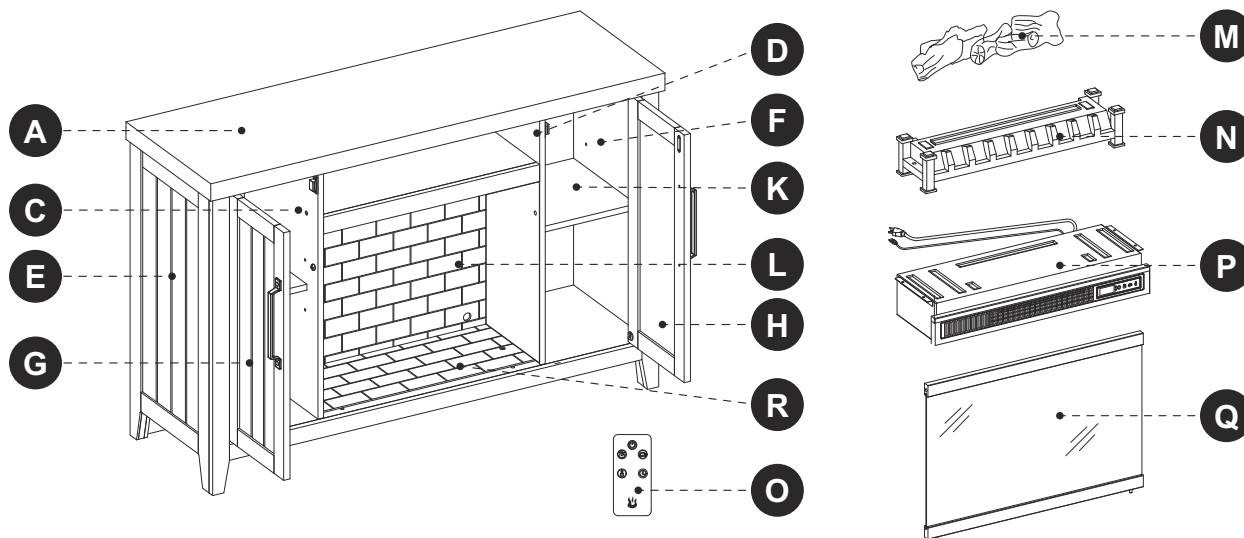
The warranties as outlined within this document do not apply to non-accessories used in conjunction with the installation of this product.

This warranty is void if:

1. The fireplace is subjected to prolonged periods of dampness or condensation.
2. Any unauthorized alteration, willful abuse, accident, or misuse of the product.
3. You do not have the original receipt of purchase.

REPLACEMENT PARTS LIST

For replacement parts, call our customer service department at 877-888-8225, 8 a.m. - 8 p.m., EST, Monday - Sunday. You could also contact us at partsplus@lowes.com.



PART	DESCRIPTION	PART #
A	Top	1730FM-23-273-TOP
C	Left Middle Wall	1730FM-23-273-LEFT MIDDLE WALL
D	Right Middle Wall	1730FM-23-273-RIGHT MIDDLE WALL
E	Left Outer Wall	1730FM-23-273-LEFT OUTER WALL
F	Right Outer Wall	1730FM-23-273-RIGHT OUTER WALL
G	Left Door	1730FM-23-273-LEFT DOOR
H	Right Door	1730FM-23-273-RIGHT DOOR
K	Shelf	1730FM-23-273-SHELF
L	Fireplace Brick Wall	1730FM-23-273-INSERT WALL BRICK
M	Fire Log	FIRE LOG 1
N	Fireplace Grate	GRATE A
O	Remote Control	RC-HE85EL01
P	Heater	KDI-01
Q	Fireplace Glass Front	1730FM-23-GLASS FRONT
R	Base Panel	1730FM-23-273-BASE PANEL
FF	KD Hardware Pack	PH-1730FM-23-273-HARDWARE PACK
GG	Door Catch	1408FM-DOOR CATCH
HH	Handle	1730FM-MB HANDLE

Printed in Malaysia



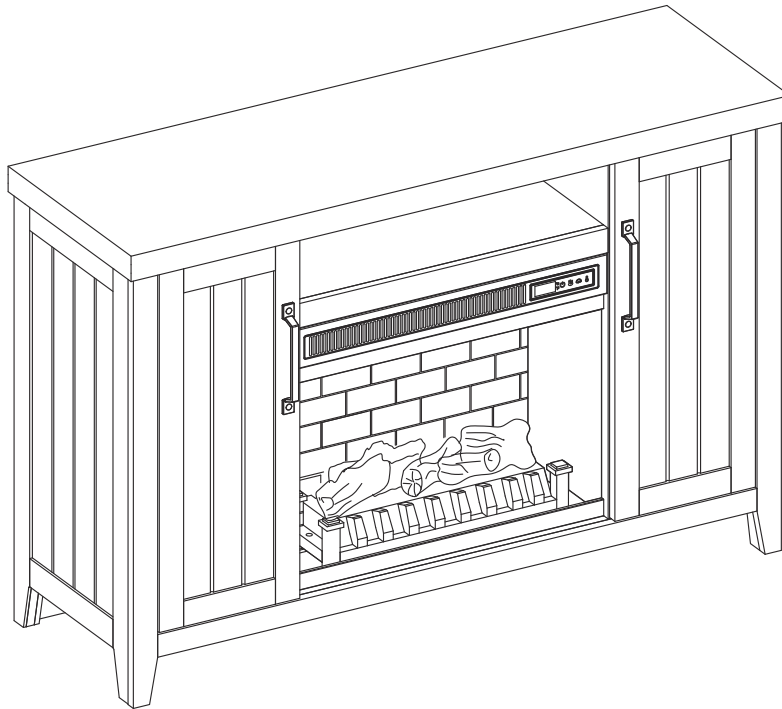
STYLE SELECTIONS y el diseño del logotipo son marcas comerciales o marcas registradas de LF, LLC. Todos los derechos reservados.

ARTÍCULO #4976292

REPISA PARA CHIMENEA ELÉCTRICA PARA SISTEMA DE AUDIO Y TV

MODELO #1730FM-23-273

ADJUNTE SU RECIBO AQUÍ



Número de serie _____ Fecha de compra _____

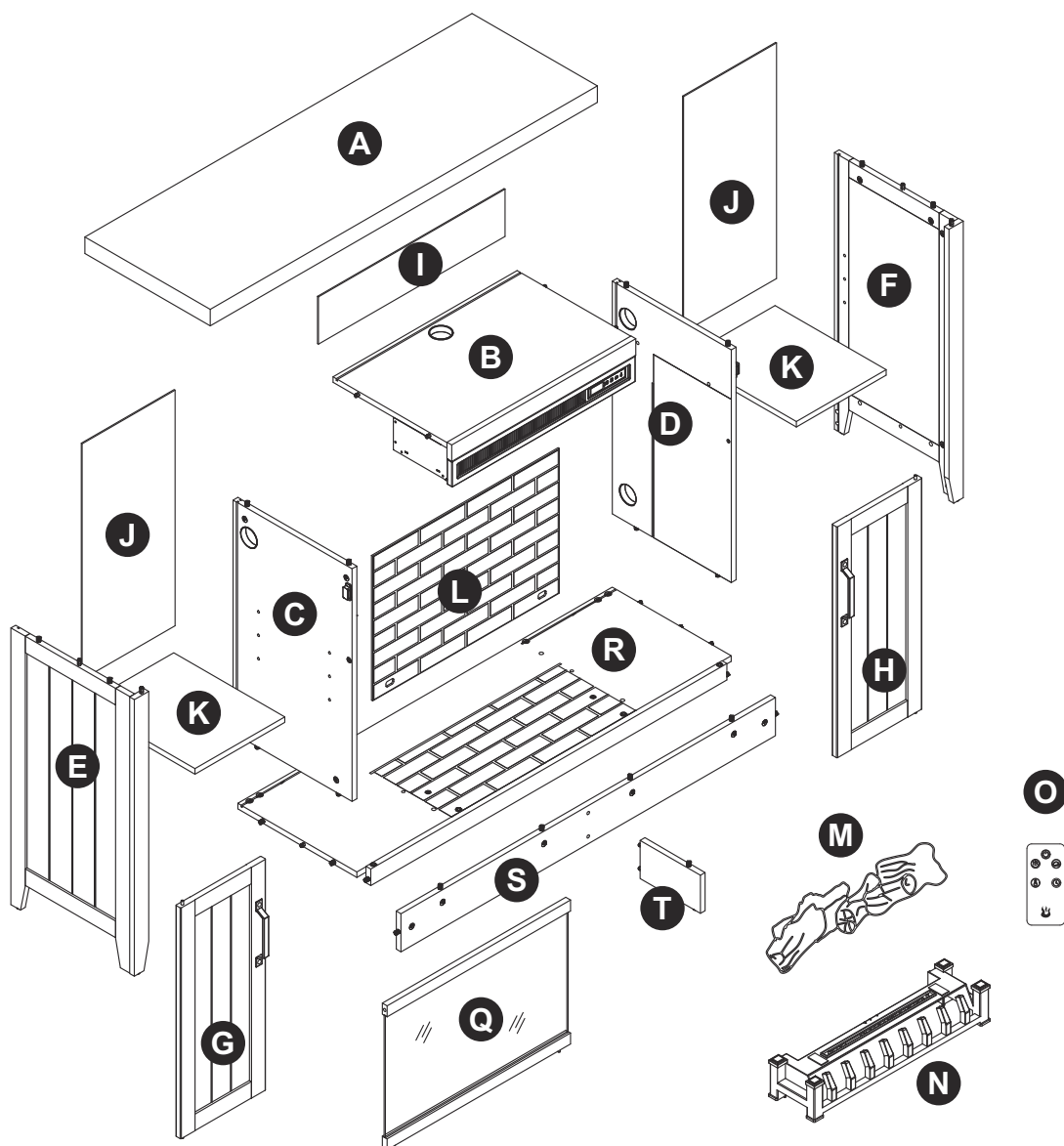
¿Preguntas, problemas, piezas faltantes? Antes de volver a la tienda, llame a nuestro Departamento de Servicio al Cliente al 877-888-8225, de lunes a domingo de 8 a.m. a 8 p.m., hora estándar del Este. También puede ponerse en contacto con nosotros en partsplus@lowes.com.

AS22230

ÍNDICE

Contenido del paquete	25
Aditamentos.....	26
Información de seguridad.....	26
Preparación	30
Instrucciones de ensamblaje	30
Cargas máximas de peso recomendadas	38
Instrucciones de funcionamiento	39
Cuidado y mantenimiento.....	41
Solución de problemas	42
Garantía limitada de un año	43
Lista de piezas de repuesto.....	44

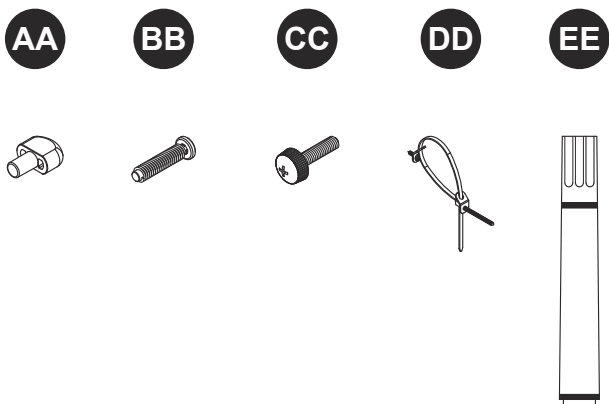
CONTENIDO DEL PAQUETE



PIEZA	DESCRIPCIÓN	CANTIDAD
A	Parte superior	1
B	Repisa central	1
C	Pared del medio izquierda	1
D	Pared del medio derecha	1
E	Pared exterior izquierda	1
F	Pared exterior derecha	1
G	Puerta izquierda	1
H	Puerta derecha	1
I	Panel posterior central	1
J	Panel posterior	2

PIEZA	DESCRIPCIÓN	CANTIDAD
K	Estante	2
L	Pared de ladrillos de la chimenea	1
M	Leño para chimenea	1
N	Rejilla para chimenea	1
O	Control remoto (batería en el interior)	1
Q	Parte frontal del vidrio de la chimenea	1
R	Panel base	1
S	Riel del panel base	1
T	Soporte del panel base	1

ADITAMENTOS (NO SE MUESTRAN EN TAMAÑO REAL)



PIEZA	DESCRIPCIÓN	CANTIDAD
AA	Pasador de repisa	8
BB	Perno	2
CC	Perno con perilla	2
DD	Aditamento de contención antivuelcos	2
EE	Aplicador de retoque	1

! INFORMACIÓN DE SEGURIDAD

Lea y comprenda completamente este manual antes de intentar ensamblar, usar o instalar el producto.

Este equipo se probó y se verificó que cumple con los límites para dispositivos digitales clase B conforme a la sección 15 de las normas de la Comisión Federal de Comunicaciones (FCC, por sus siglas en inglés). Estos límites están diseñados para brindar una protección razonable contra una interferencia perjudicial en una instalación residencial. El equipo genera, usa y puede irradiar energía de radiofrecuencia y, si no se instala y se usa de acuerdo con las instrucciones, puede causar una interferencia perjudicial a la recepción de radio o televisión, lo que se puede determinar al apagar y encender el equipo. Se recomienda al usuario que intente corregir la interferencia mediante una o más de las siguientes medidas:

- Reorientar o reubicar la antena de recepción.
- Aumentar la separación entre el equipo y el receptor.
- Conectar el equipo a un tomacorriente de un circuito distinto del que usa el receptor.
- Solicitar ayuda al distribuidor o a un técnico con experiencia en radio/TV.

Este dispositivo cumple con la Parte 15 de las reglas FCC. El funcionamiento está sujeto a las siguientes dos condiciones:

1. Este dispositivo no debe causar interferencia perjudicial.
2. Este dispositivo deberá aceptar cualquier interferencia recibida, incluida la interferencia que pudiese causar la operación no deseada.

INFORMACIÓN DE SEGURIDAD (CONTINUACIÓN)

Las modificaciones que no estén aprobadas por la parte responsable del cumplimiento podrían anular la autorización del usuario para utilizar el equipo.

Este instrumento digital clase B cumple con la norma ICES-003 de Canadá.

INSTRUCCIONES IMPORTANTES

Cuando use electrodomésticos, siempre tome medidas de precaución básicas para reducir el riesgo de incendios, descargas eléctricas y lesiones a personas, incluidas las siguientes:



PELIGRO

- Para reducir el riesgo de descarga eléctrica, asegúrese de que el producto esté estable y evite que se vuelque.
- Lea todas las instrucciones antes de instalar o usar este calentador.
- Si no se sigue con precisión la información de este manual, se podrían producir descargas eléctricas o incendios que resulten en daños materiales, lesiones personales o la muerte.
- **SIEMPRE** desconecte este aparato del tomacorriente eléctrico antes de limpiarlo o repararlo.
- Este producto está diseñado para adaptarse a la mayoría de los televisores de plasma y LCD (hasta 50 pulgadas y un peso máximo de 26,3 kg). Usar este artículo con cargas más pesadas que el máximo establecido puede provocar inclinación o inestabilidad, lo que puede provocar lesiones o incluso la muerte.
- **NO** pase el cable debajo de alfombras. **NO** cubra el cable con alfombras de pasillo, tapetes u objetos similares.
- **NO** pase el cable debajo de muebles o electrodomésticos. Coloque el cable lejos de zonas de tránsito donde nadie se pueda tropezar y caer.
- **NO** introduzca objetos extraños ni permita que estos entren en las aberturas de ventilación o escape, ya que podrían provocar descargas eléctricas, incendios o daños en el electrodoméstico.
- Este electrodoméstico tiene en su interior piezas calientes y piezas que forman arcos eléctricos o que echan chispas. **NO** lo use en áreas donde se utilice o almacene gasolina, pintura o vapores o líquidos inflamables. Esta chimenea no debe utilizarse como un estante de secado para la ropa. Las botas navideñas o las decoraciones no deben colgarse en esta área.
- Utilice este electrodoméstico solo como se describe en el manual. Cualquier otro uso **NO** recomendado por el fabricante puede ocasionar incendios, descargas eléctricas o lesiones personales.
- Reduzca el riesgo de quemaduras, incendios, descargas eléctricas u otras lesiones:
- Desconéctelo del tomacorriente antes de colocar o quitar piezas.
- Es necesaria una supervisión estricta cuando este mueble sea utilizado por o cerca de niños o personas con discapacidades.
- Use este mueble solo para su uso previsto como se describe en estas instrucciones. **NO** use accesorios no recomendados por el fabricante.
- Mantenga el cable alejado de superficies calientes.
- Nunca opere el mueble con las aberturas de ventilación obstruidas. Mantenga las aberturas de ventilación libres de pelusa, cabello y materiales similares.
- Nunca deje caer ni inserte ningún objeto en las aberturas.
- **NO** opere el mueble donde se utilizan productos en aerosol o donde se administra oxígeno.
- Para desconectarlo, gire todos los controles a la posición de apagado y luego retire el enchufe del tomacorriente.



ADVERTENCIA

- Este electrodoméstico se calienta cuando está en funcionamiento. Para evitar quemaduras, **NO** toque superficies calientes sin protegerse la piel. Mantenga los materiales inflamables, como muebles, almohadas, ropa de cama, papeles, ropa y cortinas, a 91,44 centímetros como mínimo de este electrodoméstico y manténgalos alejados de los laterales y de la parte posterior.
- Se debe tener extrema precaución cuando niños o personas con discapacidad usen un calentador o cuando se use cerca de ellos y siempre que la chimenea se deje funcionando sin vigilancia.

INFORMACIÓN DE SEGURIDAD (CONTINUACIÓN)

- Cada superficie prevista para soportar una carga debe tener una declaración correspondiente en las instrucciones de uso que indica la carga máxima en kilogramos (libras) prevista para esa superficie.
- Riesgo de descarga eléctrica: conecte este mueble solo a un tomacorriente debidamente conectado a tierra. Consulte las instrucciones de conexión a tierra.
- Para evitar el riesgo de descargas eléctricas, incendios o lesiones, revise las instrucciones de ensamblaje para confirmar que los componentes y accesorios críticos apropiados se están utilizando con el equipo.
- Pueden ocurrir lesiones graves o la muerte cuando los niños se suben a los muebles de los equipos de audio o video. Un control remoto o juguetes colocados sobre el mueble pueden alentar al niño a trepar sobre el mueble y, como resultado, el mueble puede volcarse sobre el niño.
- La reubicación del equipo de audio o video en muebles que no estén específicamente diseñados para soportar estos equipos puede resultar en la muerte o lesiones graves, debido a que el mueble puede derrumbarse o voltearse sobre un niño.
- **“ADVERTENCIA:** la colocación de equipos de audio o video en muebles no diseñados específicamente para soportar tales equipos puede causar la muerte o lesiones graves debido al colapso del mueble o si este cae sobre un niño”.
- Este calentador no se debe usar en baños, cuartos de lavado o en espacios húmedos similares interiores. **NUNCA** coloque el calentador donde se pueda caer dentro de una bañera u otro contenedor de agua.
- Para desconectar este electrodoméstico, gire los controles a la posición de apagado y luego retire el enchufe del tomacorriente.
- **SOLO** conéctelo a tomacorrientes con la debida puesta a tierra.
- Cuando lo instale, debe contar con una puesta a tierra conforme a los códigos locales, al Código de Electricidad de Canadá CSA C22.1 o a los códigos de instalación de los Estados Unidos, los códigos locales y el Código Nacional de Electricidad, ANSI/NFPA No. 70.
- Para evitar posibles incendios, **NO** bloquee las entradas ni salidas de aire de ninguna manera. **NO** lo use sobre superficies blandas, como una cama, donde las aberturas se puedan bloquear.
- **NO DEBE** ubicar el calentador inmediatamente debajo de un tomacorriente fijo.
- **SIEMPRE** enchufe el calentador directamente en un tomacorriente o receptáculo de pared. **NUNCA** lo utilice con extensiones eléctricas ni tomacorrientes de alimentación recargables (tomacorriente o regleta).
- **NO** deslice la unidad empotrable sobre la madera para evitar rayar la superficie.
- **NO** coloque ningún objeto encima de la unidad ni bloquee las entradas de aire o los conductos de ventilación, ya que esto puede sobrecalentarla y provocar un incendio.

PRECAUCIÓN

- **NO** opere ningún calentador que tenga un cable o enchufe dañado ni después de que este presente fallas. **NO** opere ningún calentador si se cayó o se dañó de alguna manera. Desconecte la electricidad en el panel de servicio y haga que un electricista acreditado inspeccione el calentador antes de reutilizarlo.
- Cualquier reparación de esta chimenea debe realizarla un técnico calificado.
- En ninguna circunstancia se debe modificar esta chimenea. Las piezas que se deben retirar para reparación se deben reemplazar antes de volver a hacer funcionar esta chimenea.
- Solo para uso doméstico.
- **NO** lo utilice en exteriores.
- **“ADVERTENCIA:** existe el riesgo de muerte o lesiones graves si niños se suben a muebles de equipo de audio o video. Un control remoto o juguetes colocados en el mueble puede causar que un niño se suba al mueble y que este caiga sobre él”.

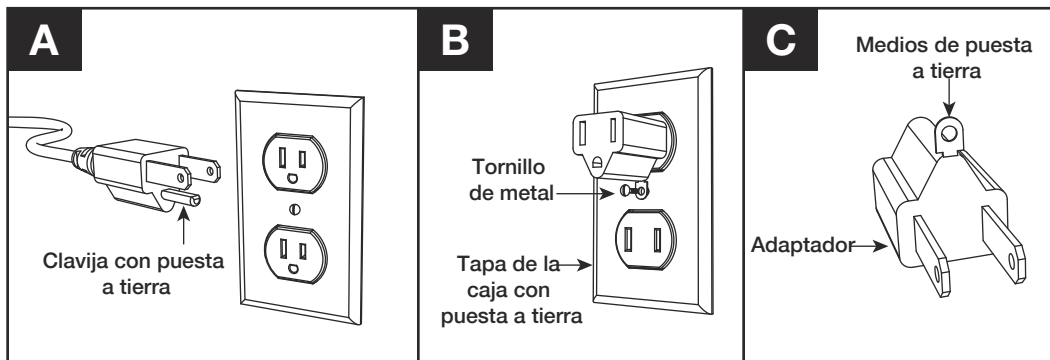
⚠ INFORMACIÓN DE SEGURIDAD (CONTINUACIÓN)

Conexión eléctrica

- Se requiere un circuito de 15 amperios, 120 voltios, 60 Hz con un tomacorriente con la debida puesta a tierra. Preferentemente, la chimenea estará en un circuito especial, ya que la conexión de otros electrodomésticos al mismo circuito puede provocar que el interruptor de circuito se desconecte o que el fusible se quemé cuando el calentador está en funcionamiento. La unidad cuenta con un cable de tres conductores de 1,82 m, que sale de la parte posterior de la chimenea. **NO** exceda la clasificación actual del tomacorriente actual.

Instrucciones de puesta a tierra

- Este calentador se diseñó para usarse con 120 voltios. El cable tiene un enchufe como se muestra a continuación. Consulte la ilustración o la instrucción de puesta a tierra adecuada. Hay un adaptador disponible, como se muestra en C, para conectar enchufes con puesta a tierra de tres clavijas a tomacorrientes de dos ranuras. El enchufe verde con puesta a tierra que sale del adaptador debe conectarse a una puesta a tierra permanente, como a una caja de salida con la debida puesta a tierra. El adaptador no debe usarse si un tomacorriente con puesta a tierra de tres ranuras está disponible.



GUARDE ESTAS INSTRUCCIONES

PREPARACIÓN

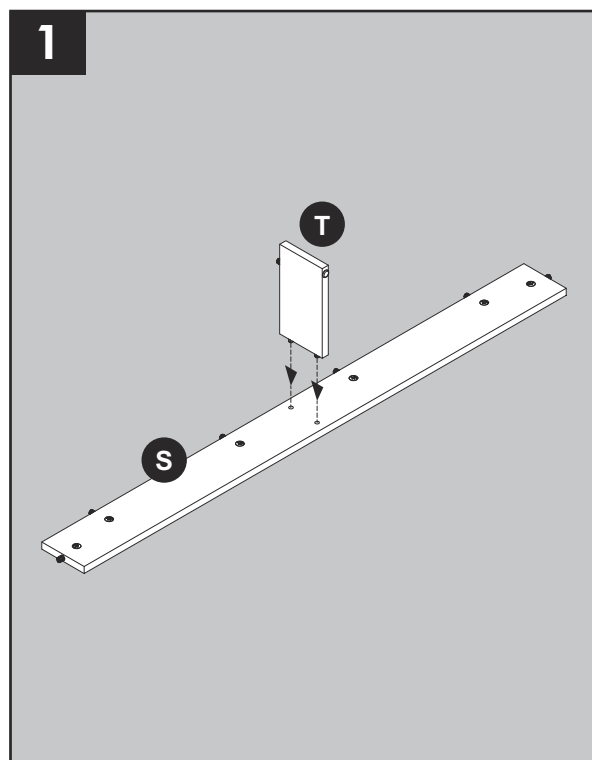
Antes de empezar a ensamblar el producto, asegúrese de que todas las piezas estén presentes. Compare las piezas con la lista del contenido del paquete y de los aditamentos. No intente ensamblar, instalar o usar el producto si faltan piezas o si están dañadas.

Tiempo estimado de ensamblaje: 50 minutos

Herramientas necesarias para el ensamblaje (no se incluyen): destornillador Phillips

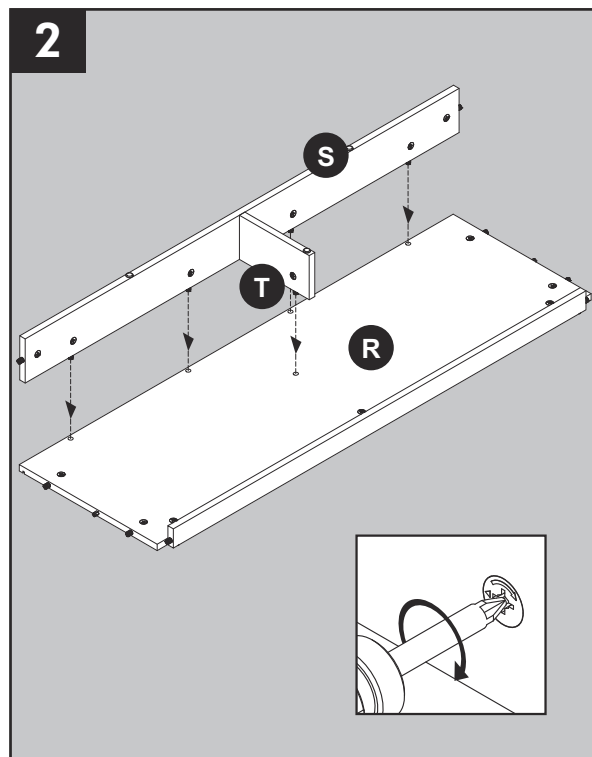
INSTRUCCIONES DE ENSAMBLAJE

1. Fije el soporte del panel base (T) en los orificios del riel del panel inferior (S).



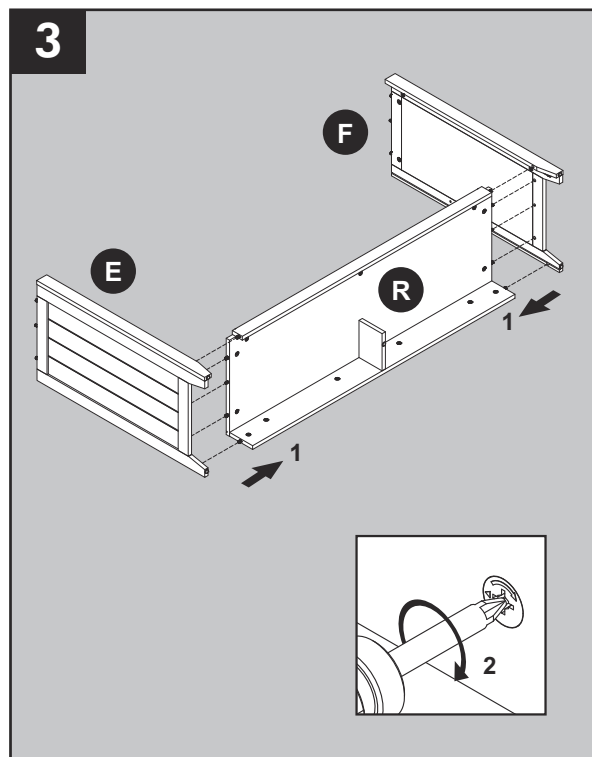
INSTRUCCIONES DE ENSAMBLAJE (CONTINUACIÓN)

2. Inserte el riel del panel base ensamblado (S, T) en los orificios del panel base (R). Con el destornillador Phillips, gire la contratuerca en dirección de las manecillas del reloj hasta 180° desde la junta de conexión para asegurar correctamente los paneles.



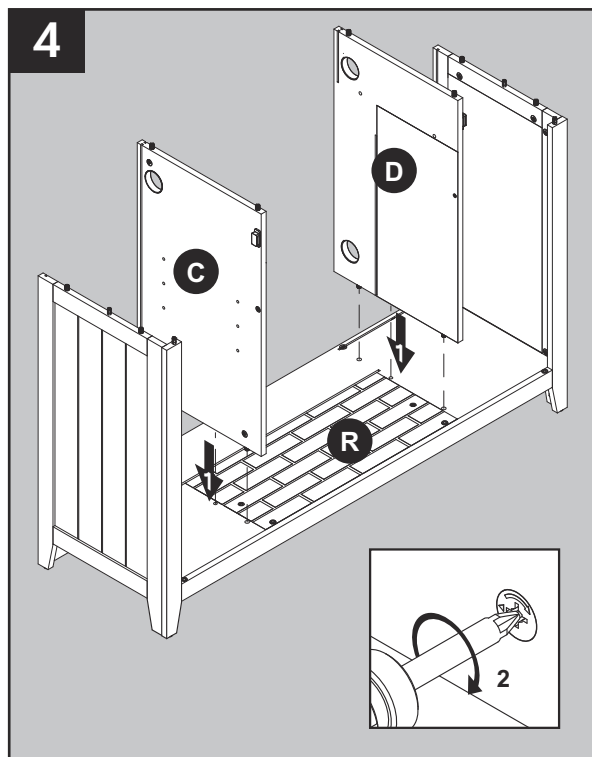
3. Fije las paredes exteriores (E, F) al panel base ensamblado (R). Gire la contratuerca en dirección de las manecillas del reloj hasta 180° desde la junta de conexión para asegurar correctamente las paredes.

Coloque las piezas ensambladas en posición vertical.



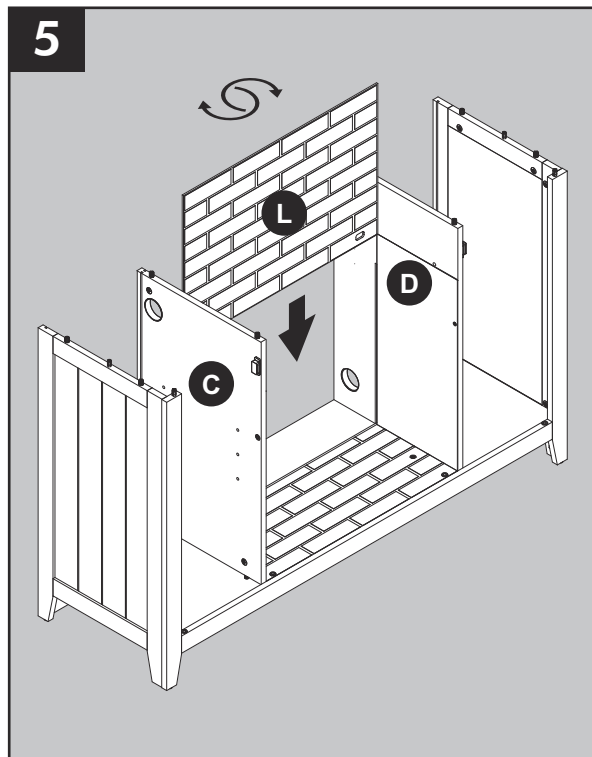
INSTRUCCIONES DE ENSAMBLAJE (CONTINUACIÓN)

4. Fije las paredes centrales (C, D) en los orificios del centro del panel base (R). Gire la contratuerca en dirección de las manecillas del reloj hasta 180° desde la junta de conexión para asegurar correctamente las paredes.



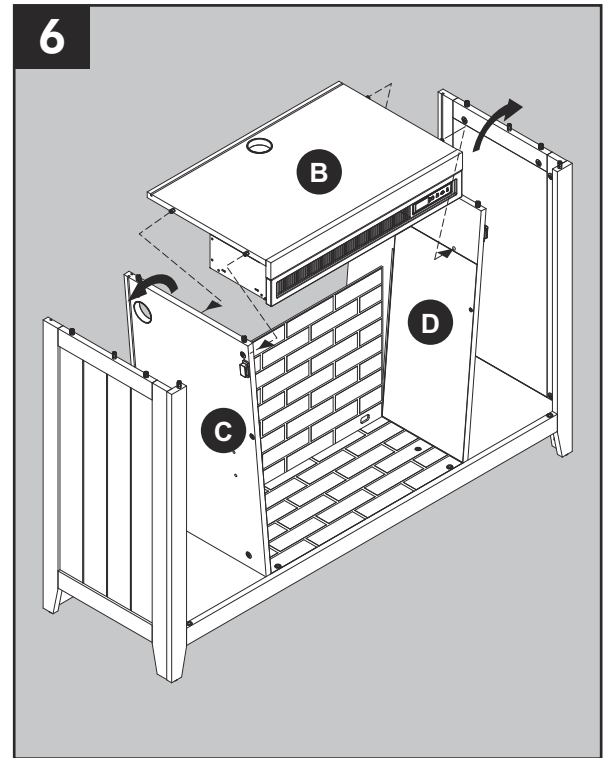
5. Inserte la pared de ladrillos de la chimenea (L) en el centro del gabinete deslizándola hacia abajo a lo largo de las ranuras de las paredes centrales (C, D).

Nota: la pared de ladrillos de la chimenea (L) es reversible. Elija un patrón de ladrillo o negro para su cámara de combustión.

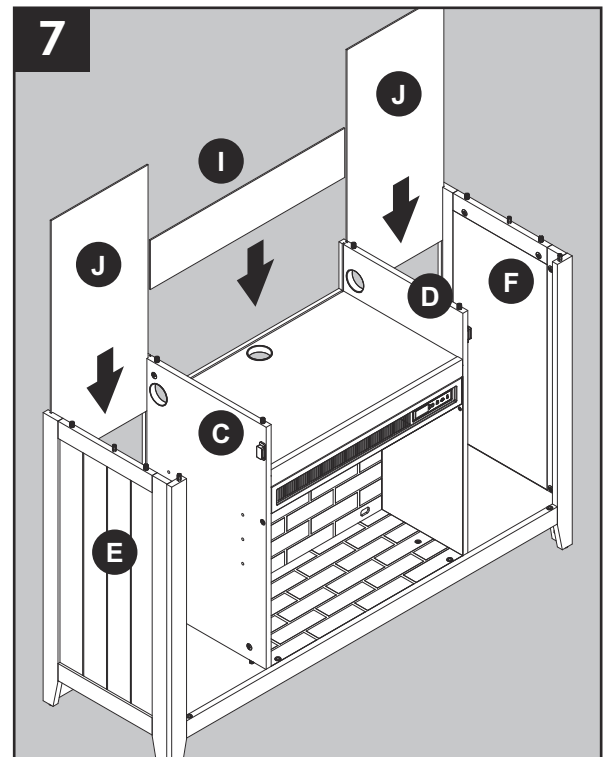


INSTRUCCIONES DE ENSAMBLAJE (CONTINUACIÓN)

6. Incline las paredes centrales (C, D) ligeramente hacia afuera y fije el estante central (B) a las paredes centrales. Asegúrese de que las paredes centrales estén hacia atrás, en posición vertical, para asegurar el estante central.

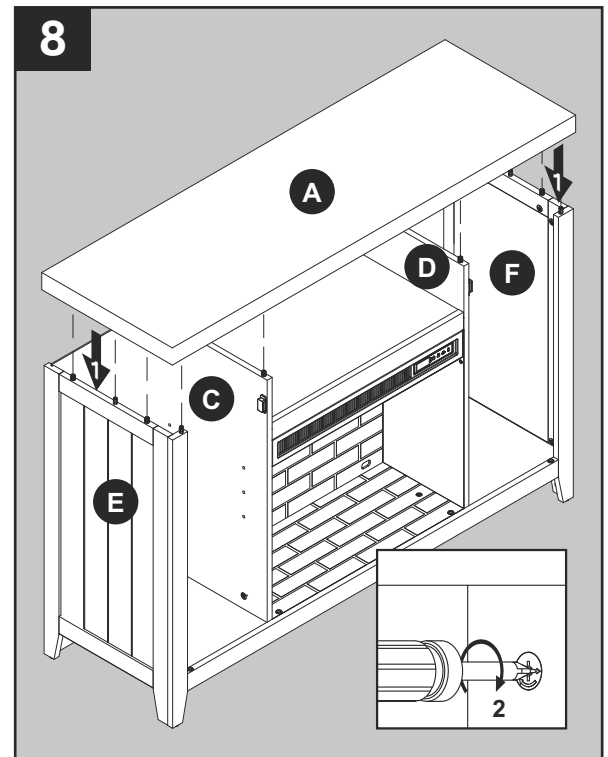


7. Como se muestra en el diagrama, inserte el panel posterior central (I) y los paneles posteriores (J) a lo largo de las ranuras de las paredes centrales (C, D) y las paredes exteriores (E, F).



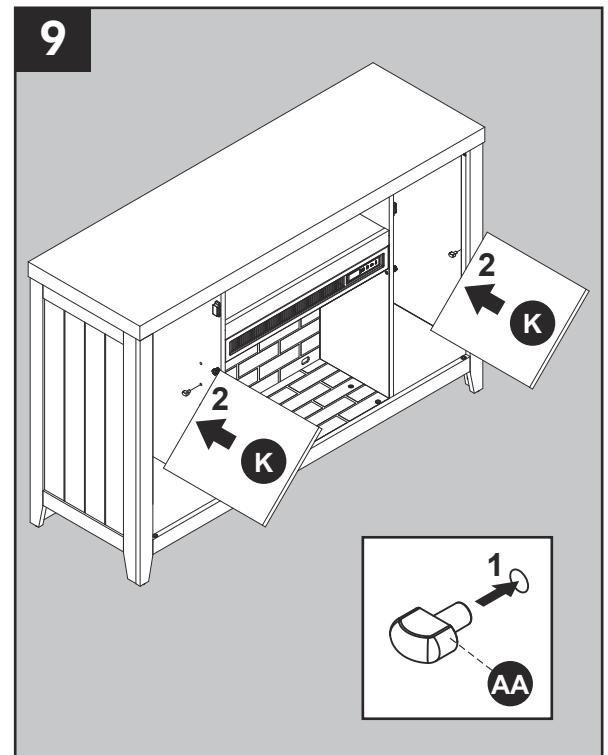
INSTRUCCIONES DE ENSAMBLAJE (CONTINUACIÓN)

8. Ensamble la parte superior (A) en las paredes centrales (C, D) y las paredes exteriores (E, F). Gire la contratuerca en dirección de las manecillas del reloj hasta 180° desde la junta de conexión para asegurar correctamente la parte superior.



9. Inserte los soportes para estante (AA) a la altura deseada y asegúrese de que están nivelados. Coloque el estante (K) en la parte superior de los soportes para estante (AA).

Repita el procedimiento con la repisa (K) restante.



Aditamentos utilizados

AA Pasador de repisa x 8

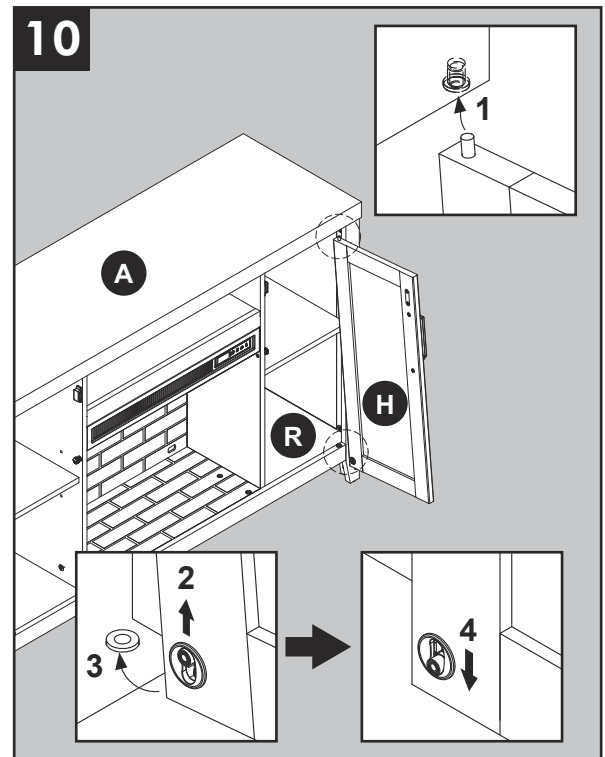


INSTRUCCIONES DE ENSAMBLAJE (CONTINUACIÓN)

10. Introduzca el pasador superior de la puerta derecha (H) en el orificio de la tuerca de plástico situada debajo de la parte superior (A). Tire el pestillo para retraer el pasador de la parte inferior de la puerta derecha (H) y colóquelo sobre el orificio de la tuerca de plástico en el panel base (R). Suelte el pestillo para fijar el pasador inferior en el panel base (R).

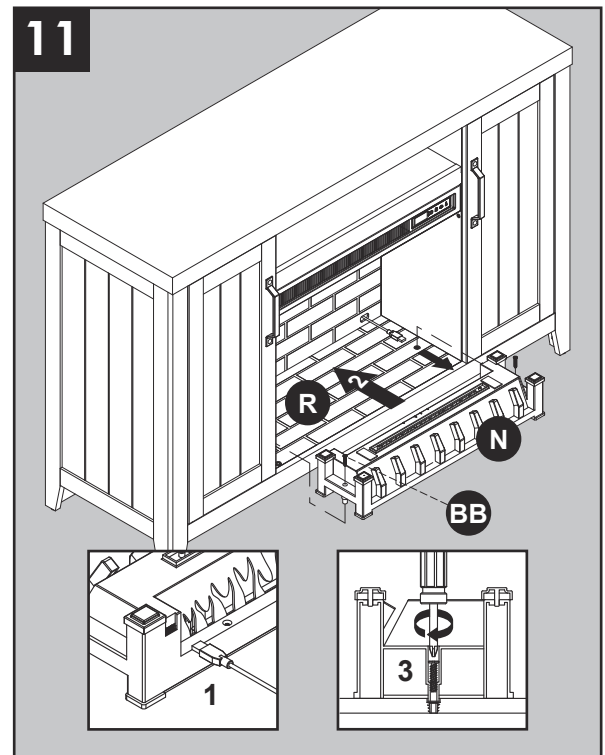
Repita el procedimiento para la puerta izquierda (G).

Para retirar las puertas, empuje hacia arriba el pestillo del pasador inferior y la puerta podrá liberarse de la consola.



11. Conecte el cable USB al puerto USB detrás de la rejilla de la chimenea (N).

Coloque la rejilla de la chimenea (N) haciendo coincidir el pasador de la parte inferior de la rejilla de la chimenea (N) con los orificios del panel base (R). Fije la rejilla de la chimenea con dos pernos (BB).



Aditamentos utilizados

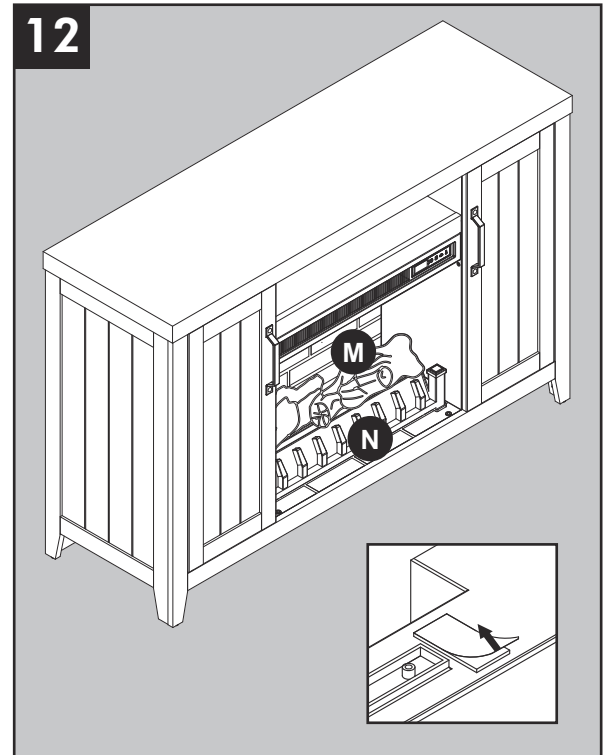
BB Perno



x 2

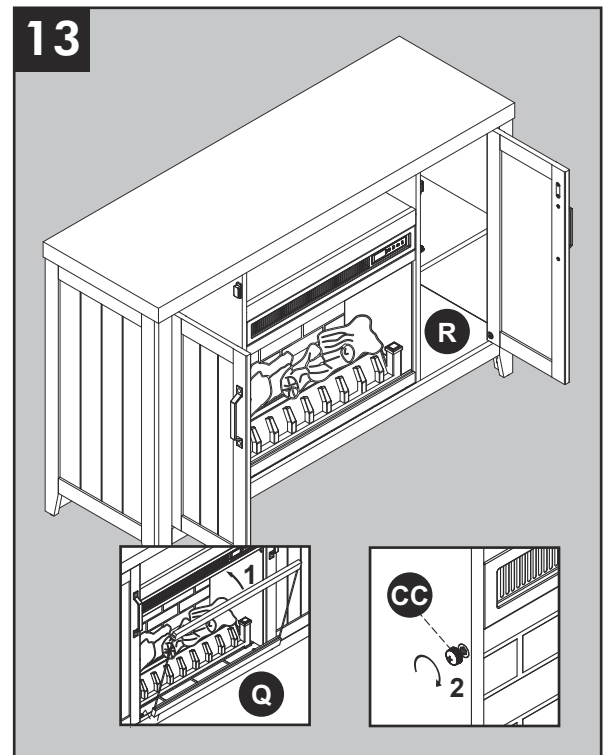
INSTRUCCIONES DE ENSAMBLAJE (CONTINUACIÓN)

12. Retire la película del adhesivo en la parte superior de la rejilla para chimenea (N) y coloque el leño para chimenea (M) en el centro de la rejilla para chimenea (N).



13. Inserte los pasadores del frente del cristal de la chimenea (Q) en los orificios de las tuercas de plástico del panel base (R).

Empuje la parte superior de la parte delantera del vidrio de la chimenea (Q) hacia adentro hasta que el orificio del marco lateral esté adyacente al orificio de las paredes centrales. Atornille la parte delantera del vidrio de la chimenea (Q) desde el interior de las paredes centrales izquierda y derecha con el perno con perilla (CC).



Aditamentos utilizados



Perno con perilla



x 2

INSTRUCCIONES DE ENSAMBLAJE (CONTINUACIÓN)

ADVERTENCIA: debe instalar el aditamento de contención antivuelcos para ayudar a evitar accidentes o daños a la unidad. Recomendamos encarecidamente fijar el aditamento de contención antivuelcos a un montante de pared y a su unidad. Para todos los demás tipos de pared, visite su ferretería local para obtener los aditamentos adecuados.

Ya ha terminado el ensamblaje. Con la ayuda de otra persona, mueva la unidad a la ubicación final deseada. Una vez en la posición final, puede colocar los aditamentos de sujeción de la punta en la pared. Ahora puede enchufar el calentador al tomacorriente.

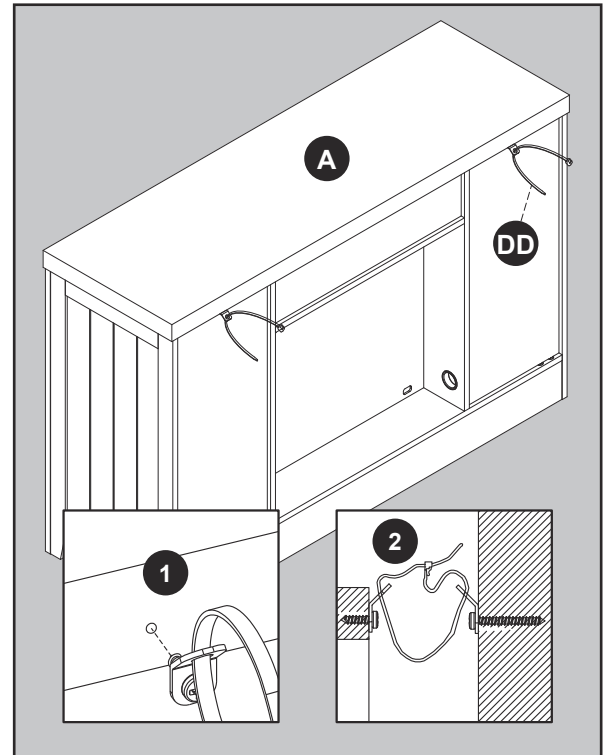
Aditamentos utilizados

DD

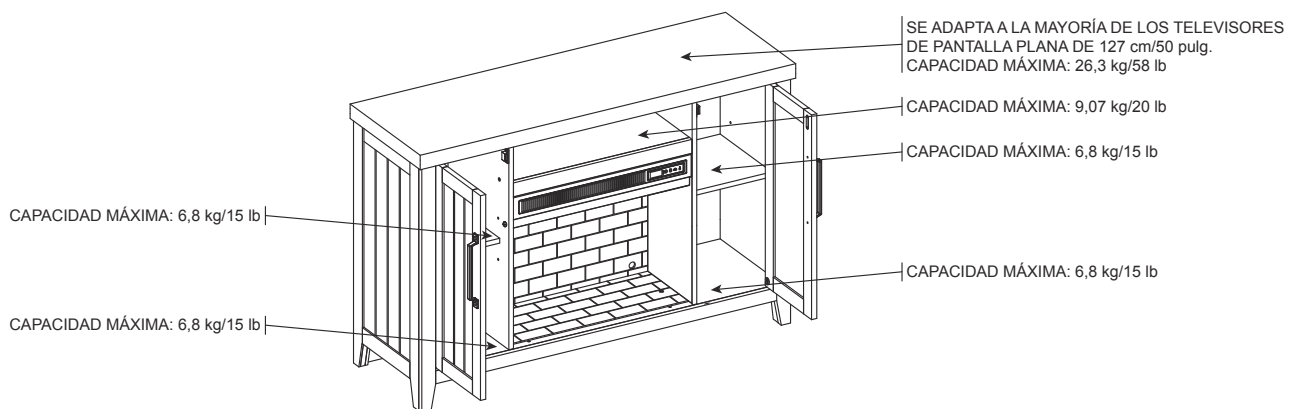
Aditamento de contención antivuelcos



x 2



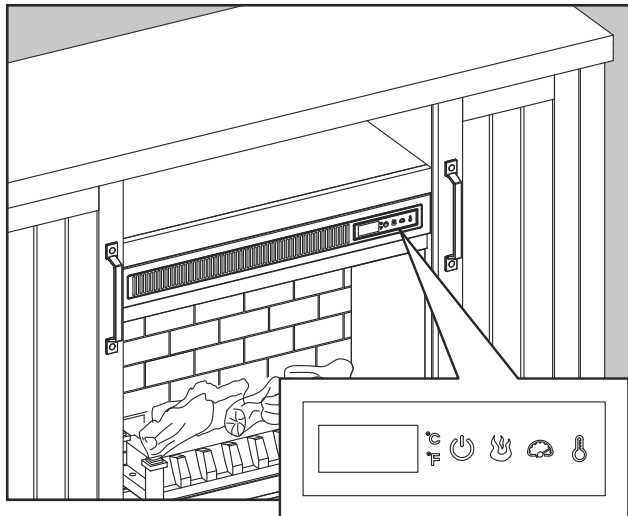
CARGAS MÁXIMAS DE PESO RECOMENDADAS



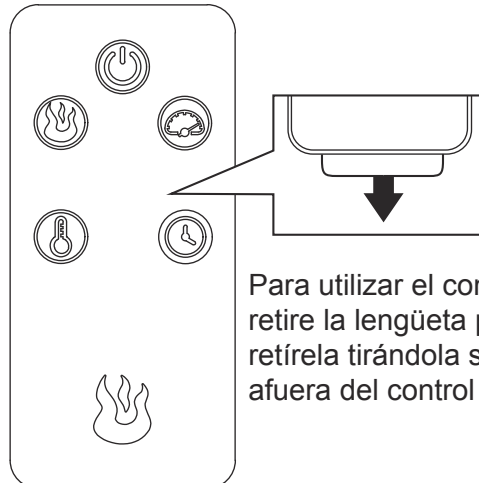
⚠ PRECAUCIÓN: esta consola está diseñada para usarse únicamente con televisores de pantalla plana. No supere la capacidad máxima indicada. El uso con productos más pesados que la capacidad máxima indicada puede ocasionar inestabilidad y posibles lesiones.

INSTRUCCIONES DE FUNCIONAMIENTO

Panel de control



Control remoto



Para utilizar el control remoto, primero retire la lengüeta plástica. Para ello, retírela tirándola suavemente hacia afuera del control remoto.

Controles y pantalla

El panel de control mostrará la configuración del calentador cuando la unidad esté encendida. El ícono de control que presione mostrará la configuración actual de la función correspondiente. Presione el ícono de control nuevamente para ajustar la configuración. Después del ajuste de cualquier configuración, la unidad volverá a mostrar la configuración del calentador después de 5 segundos.



Función de alimentación

- Cuando la unidad está enchufada pero no se encuentra en uso, F o C se iluminarán para indicar que está en modo de espera.
- Presione el ÍCONO DE ALIMENTACIÓN para ENCENDER o APAGAR la unidad.
- Cuando la unidad se enciende, el panel de control mostrará la configuración del calentador para indicar que la unidad tiene energía.
- Las funciones almacenadas en la memoria se reanudarán en la última configuración.
- Cuando la unidad se apaga, el ventilador continuará soplando durante un ciclo de enfriamiento de 40 segundos antes de apagarse (se mostrará una cuenta regresiva).



Función de brillo de la llama

- Presione el ÍCONO DE BRILLO DE LLAMA para mostrar la configuración actual del brillo de la llama.
- Presione el ÍCONO DE BRILLO DE LLAMA nuevamente para desplazarse hacia abajo a través de las configuraciones del brillo de la llama: 5, 4, 3, 2, 1, OF (OFF, apagado).



Función de velocidad de llama

- Presione el ÍCONO DE VELOCIDAD DE LLAMA para mostrar la configuración actual de velocidad de la llama.
- Presione el ÍCONO DE VELOCIDAD DE LLAMA nuevamente para desplazarse hacia abajo a través de las configuraciones velocidad de la llama: 5, 4, 3, 2, 1.

INSTRUCCIONES DE FUNCIONAMIENTO (CONTINUACIÓN)



Función de calentador

- Presione el ÍCONO DE CALENTADOR para mostrar la configuración actual del calentador.
- Presione el ÍCONO DE CALENTADOR nuevamente para desplazarse hacia abajo a través de la configuración del calentador.
Nota: mantenga presionado el ícono para desplazarse rápidamente por la configuración.
- Configure el calentador en "HI" (alto) para que funcione continuamente.
- Ajuste el calentador a "OF" (apagado) para usar las funciones de llama sin calor.
- Este calentador tiene un sensor de termostato para controlar la temperatura ambiente en el área circundante de la chimenea. El calentador alternará entre encendido y apagado para mantener la temperatura seleccionada. El rango de configuración del termostato es de 32 °C (90 °F) a 18 °C (65 °F).
Nota: esto puede no coincidir exactamente con la lectura del termostato de la habitación, ya que sus sensores están ubicados en diferentes áreas.
- Mantenga presionado el ÍCONO DE VELOCIDAD DE LLAMA durante 10 segundos para alternar entre Fahrenheit y Celsius. Se mostrará "F" o "C" en el panel de control (°F/°C solo se puede alternar desde el panel de control y no funcionará si se usa el control remoto).
- Consulte la sección ANULACIÓN DEL CALENTADOR para desactivar el calentador.



Función de temporizador de apagado automático (solo control remoto)

- La función TEMPORIZADOR DE APAGADO AUTOMÁTICO establecerá una cuenta regresiva para apagar la alimentación principal de la unidad.
- Presione el ÍCONO DE TEMPORIZADOR para mostrar la configuración actual del temporizador de apagado automático.
- Presione el ÍCONO DE TEMPORIZADOR nuevamente para desplazarse por las siguientes configuraciones del temporizador: 30 (minutos), 1H, 2H, 3H, 4H, 5H, 6H, 7H, 8H, 9H, OF (apagado).
- Cuando el temporizador llegue a cero, se apagará la alimentación principal y se mantendrán todas las configuraciones en la memoria.

ANULACIÓN DEL CALENTADOR

Se puede desconectar la alimentación del calentador para evitar que se encienda accidental o involuntariamente. Esta característica se agrega principalmente para ayudar a evitar que los niños enciendan el calentador sin querer.

Nota: la anulación del calentador solo se puede configurar desde el panel de control y no funcionará si se usa el control remoto.

- Primero, apague la alimentación principal. Presione el ÍCONO DE ALIMENTACIÓN; mientras la pantalla de configuración del calentador parpadea, presione el ÍCONO DE ALIMENTACIÓN nuevamente y manténgalo presionado durante 20 segundos. Se mostrará el símbolo E3 para indicar que el calentador ahora está desactivado.
- **Nota:** las funciones de llama y temporizador funcionarán normalmente. Solo el calentador está desactivado.
- Repita el mismo proceso para volver a activar la función del calentador. El símbolo E3 cambiará nuevamente para mostrar la configuración del calentador cuando se vuelva a conectar el calentador.

FUNCIÓN DE MEMORIA

- Esta unidad tiene una función de memoria que le permite apagar la ALIMENTACIÓN PRINCIPAL y guardar todos los demás ajustes de la función (excluida la función de TEMPORIZADOR).

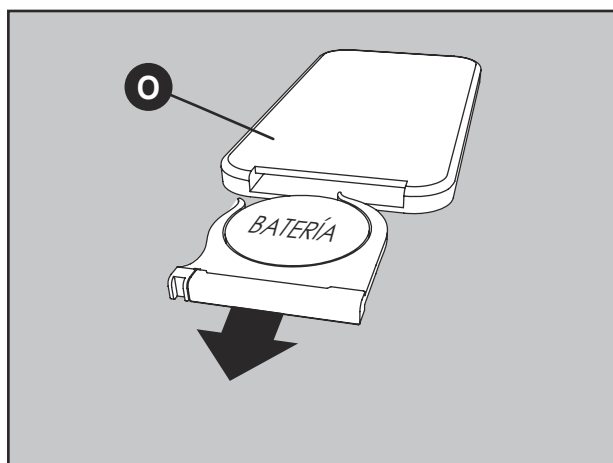
CUIDADO Y MANTENIMIENTO

- Asegúrese de que la unidad esté APAGADA, desenchufada y que los elementos de calefacción estén fríos cada vez que limpie el calentador o la chimenea.
- Limpie el borde metálico con un paño suave y limpio humedecido con agua. NO use pulidores de latón ni limpiadores domésticos, ya que estos productos dañarán el borde metálico.
- Los motores usados en el ventilador y en el ensamblaje del generador de llamas vienen lubricados previamente para prolongar la vida útil de los cojinetes y no necesitan lubricación adicional. Sin embargo, se recomienda limpiar o aspirar el ventilador o el calentador y la salida y entrada de aire periódicamente.
- Cuando no se use el calentador, el cable de alimentación debe guardarse adecuadamente para evitar el contacto con objetos calientes o filosos.
- Cualquier otro mantenimiento debe realizarlo un representante de servicio autorizado.
- Consejos para usar el aplicador de retoque (EE): para rayones, aplique en la dirección del rayón. Para las áreas desgastadas, aplique en la dirección de la veta de madera. Frote el exceso de colorante rápidamente con un paño suave.

Reemplazo de las baterías del control remoto

Cuando el control remoto (O) deje de funcionar o el rango se reduzca, es momento de reemplazar las baterías. **Nota:** se deben retirar las baterías si el producto no se va a utilizar durante un período prolongado.

1. El compartimiento de las baterías está ubicado en el extremo posterior del control remoto (O).
2. Presione la lengüeta hacia dentro mientras desliza la cubierta de la batería y retire las baterías gastadas.
3. Inserte una nueva batería de litio CR2025 (no se incluye). Asegúrese de que los lados + y – coincidan con el interior del compartimiento de la batería.
4. Vuelva a insertar la cubierta de la batería.



Nota: las baterías que no son recargables no deben recargarse. Las baterías agotadas se deben retirar del producto. Nocivo si se ingiere.

Eliminación de las baterías usadas

Una batería puede contener sustancias peligrosas que podrían poner en peligro el ambiente y la salud de las personas.

- Este símbolo marcado en la batería o el paquete indica que la batería usada no se debe considerar parte de los residuos municipales. En cambio, debe eliminarse en el punto de recolección apropiado para el reciclaje.
- Al asegurar una eliminación correcta de las baterías usadas, ayudará a evitar posibles consecuencias negativas para el ambiente y la salud de las personas. El reciclaje de materiales ayudará a conservar los recursos naturales.
- No incinere las baterías. Estas podrían explotar o presentar pérdidas.



Para obtener más información sobre la recolección y el reciclaje de las baterías usadas, póngase en contacto con la municipalidad local, el servicio de eliminación de desechos o el punto de venta donde compró la batería.

SOLUCIÓN DE PROBLEMAS

PROBLEMA	CAUSA POSIBLE	ACCIÓN CORRECTIVA
El error E1 se muestra en el panel de control.	Se ha activado el sensor de sobrecalentamiento.	Desenchufe la unidad, espere de 15 a 20 minutos, luego el sensor se reiniciará automáticamente. Vuelva a enchufar la unidad y encienda el calentador. Si el problema persiste, llame a Servicio al Cliente. Nota: las otras funciones operarán normalmente con excepción del calentador.
El error E2 se muestra en el panel de control.	El sensor del termostato está roto o no funciona correctamente.	Desenchufe la unidad, espere de 15 a 20 minutos, luego el sensor se reiniciará automáticamente. Vuelva a enchufar la unidad y encienda el calentador. Si el problema persiste, llame a Servicio al Cliente. Nota: las otras funciones operarán normalmente con excepción del calentador.
El error E3 se muestra en el panel de control.	La función de calentador está activada.	Consulte la página 40 en la sección Anulación del calentador para obtener más detalles.
No hay alimentación.	La unidad no tiene alimentación.	Revise que el cable alimentación esté bien enchufado a un tomacorriente estándar de 120 V. Luego, asegúrese de que la unidad está encendida.
Los leños brillan, pero la unidad tiene energía.	El efecto de llama está apagado.	Presione el botón de brillo de la llama hasta alcanzar el nivel deseado.
	Cable USB.	Conecte el cable USB al puerto USB detrás de la rejilla de la chimenea.
El calentador y el soplador no se encienden, pero el resto de las funciones están operando.	Configuración del calentador.	Configure el calentador en "HI" (alto) para que funcione continuamente.
El cable de alimentación se calienta al tacto.	Funcionamiento normal.	Esto es normal para un electrodoméstico de calefacción, ya que requiere más corriente para funcionar. Revise las conexiones del cable del electrodoméstico y del tomacorriente. Asegúrese de que el enchufe se ajuste correctamente en el tomacorriente. Durante el uso, revise el enchufe y el tomacorriente frecuentemente para determinar si está CALIENTE; de ser así, interrumpa el uso del electrodoméstico y consulte con un electricista calificado para revisar o cambiar los tomacorrientes con sobrecalentamiento.
El control remoto no funciona.	Baterías gastadas o defectuosas.	Reemplace con 1 batería CR-2025 (consulte la página 41 para obtener más información).
La señal del control remoto es débil y solo funciona a veces.	Se presionan los botones demasiado rápido.	Presione los botones lenta y constantemente para asegurarse de que el transmisor reconozca la solicitud.
	Se usa el control remoto demasiado lejos o fuera de ángulo.	Acérquese a la unidad empotrable; el control remoto solo funcionará dentro de una distancia de 6,09 metros y 45 grados a cada lado desde el frente de la chimenea.
El motor del ventilador continúa funcionando después de apagar la unidad.	Funcionamiento normal.	Esta es una característica estándar; el soplador funciona durante un tiempo adicional para enfriar los tubos del calentador.

GARANTÍA LIMITADA DE UN AÑO

El fabricante garantiza que su nueva chimenea eléctrica no presentará defectos de fabricación ni en los materiales durante un período de un año a partir de la fecha de compra, siempre y cuando se cumplan las siguientes condiciones y limitaciones.

Instale y use el la chimenea eléctrica según lo indican las instrucciones de instalación y funcionamiento provistas con el producto en todo momento. Cualquier alteración no autorizada, reparación, abuso deliberado, accidente o uso indebido del producto anulará esta garantía.

Esta garantía no es transferible y solo está disponible para el propietario original, siempre y cuando la compra se haya realizado a través de un proveedor autorizado del producto.

Esta garantía se limita a la reparación o al reemplazo de piezas que se consideren defectuosas en material o mano de obra, siempre y cuando dichas piezas se hayan sometido a condiciones normales de uso y servicio, después de que una inspección por parte del fabricante confirme dicho defecto.

El fabricante podrá, bajo su criterio, eximirse de toda obligación respecto de esta garantía reembolsando el precio al por mayor de la pieza defectuosa.

Esta garantía no cubre ningún costo de instalación, mano de obra, fabricación, transporte o de otro tipo que surja de la pieza defectuosa, su reparación, reemplazo u otra situación, y el fabricante no asume ninguna responsabilidad por estas.

El propietario o usuario asume todos los riesgos, si los hay, incluidos los riesgos de daños o pérdidas directas, indirectas o resultantes que surjan del uso del producto o de la incapacidad para utilizarlo, salvo que la ley estipule lo contrario.

Mediante el presente, se excluye expresamente cualquier otra garantía, expresa o implícita, respecto del producto, sus componentes y accesorios o cualquier otra obligación o responsabilidad de parte del fabricante.

El fabricante no asume, ni autoriza a ningún tercero a asumir en su nombre, ninguna otra responsabilidad respecto de la venta del producto.

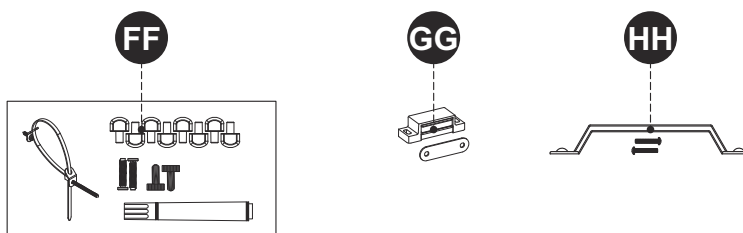
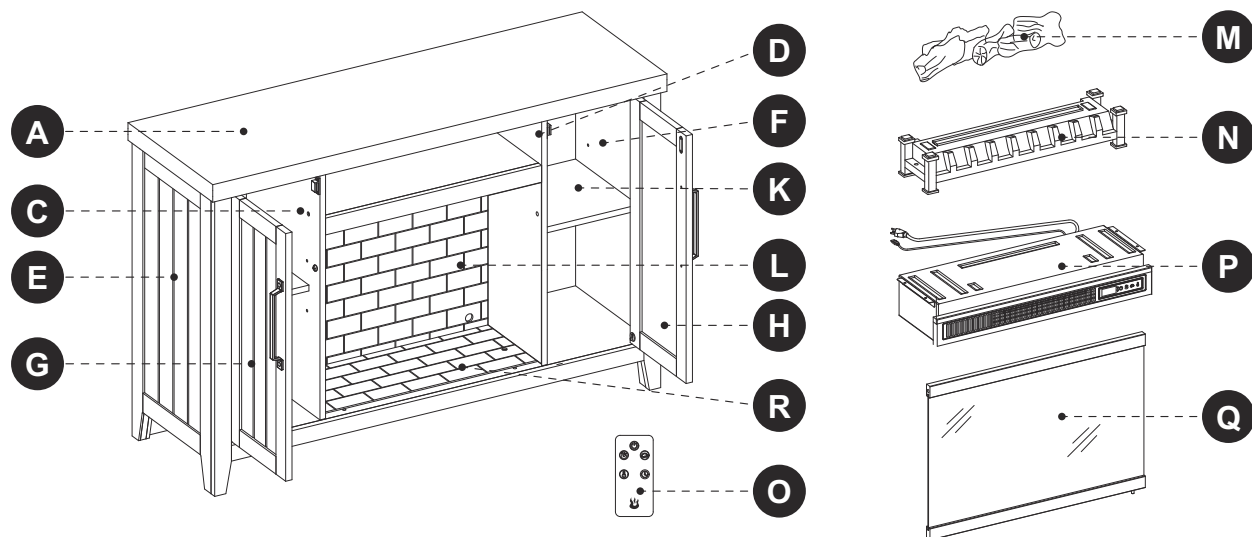
Las garantías descritas en este documento no se aplican a accesorios que no sean del fabricante y que se usen junto con la instalación de este producto.

Esta garantía es nula si:

1. La chimenea está sometida a períodos prolongados de humedad o condensación.
2. Se produce cualquier alteración no autorizada, abuso deliberado, accidente o uso indebido del producto.
3. Usted no tiene el recibo original de compra.

LISTA DE PIEZAS DE REPUESTO

Para obtener piezas de repuesto, llame a nuestro Departamento de Servicio al Cliente al 877-888-8225, de lunes a domingo de 8 a.m. a 8 p.m., hora estándar del Este. También puede ponerse en contacto con nosotros en partsplus@lowes.com.



PIEZA	DESCRIPCIÓN	PIEZA #
A	Parte superior	1730FM-23-273-TOP
C	Pared del medio izquierda	1730FM-23-273-LEFT MIDDLE WALL
D	Pared del medio derecha	1730FM-23-273-RIGHT MIDDLE WALL
E	Pared exterior izquierda	1730FM-23-273-LEFT OUTER WALL
F	Pared exterior derecha	1730FM-23-273-RIGHT OUTER WALL
G	Puerta izquierda	1730FM-23-273-LEFT DOOR
H	Puerta derecha	1730FM-23-273-RIGHT DOOR
K	Estante	1730FM-23-273-SHELF
L	Pared de ladrillos de la chimenea	1730FM-23-273-INSERT WALL BRICK
M	Leño para chimenea	FIRE LOG 1
N	Rejilla para chimenea	GRATE A
O	Control remoto	RC-HE85EL01
P	Calentador	KDI-01
Q	Parte frontal del vidrio de la chimenea	1730FM-23-GLASS FRONT
R	Panel base	1730FM-23-273-BASE PANEL
FF	Paquete de aditamentos KD	PH-1730FM-23-273-HARDWARE PACK
GG	Pestillo para puerta	1408FM-DOOR CATCH
HH	Manija	1730FM-MB HANDLE

Impreso en Malasia