

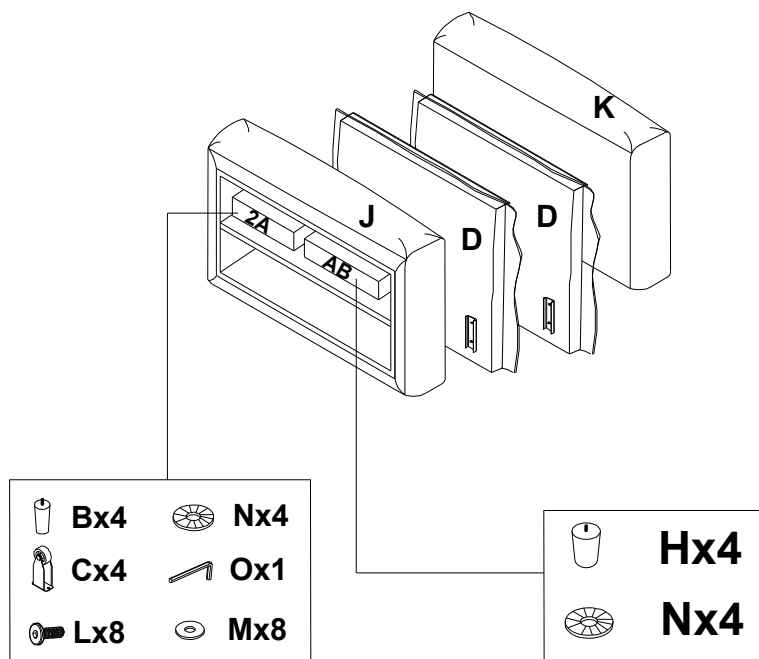
ASSEMBLY INSTRUCTION

2 Arms with Shelves, Charging Ports & backs of 2-Seater (AB)



Legs and hardware are stored in the box, please take out for assembly

NOTE: Do not use power tools for assembly. Power tools increase the risk of over tightening which lead to splitting or cracking the wood.



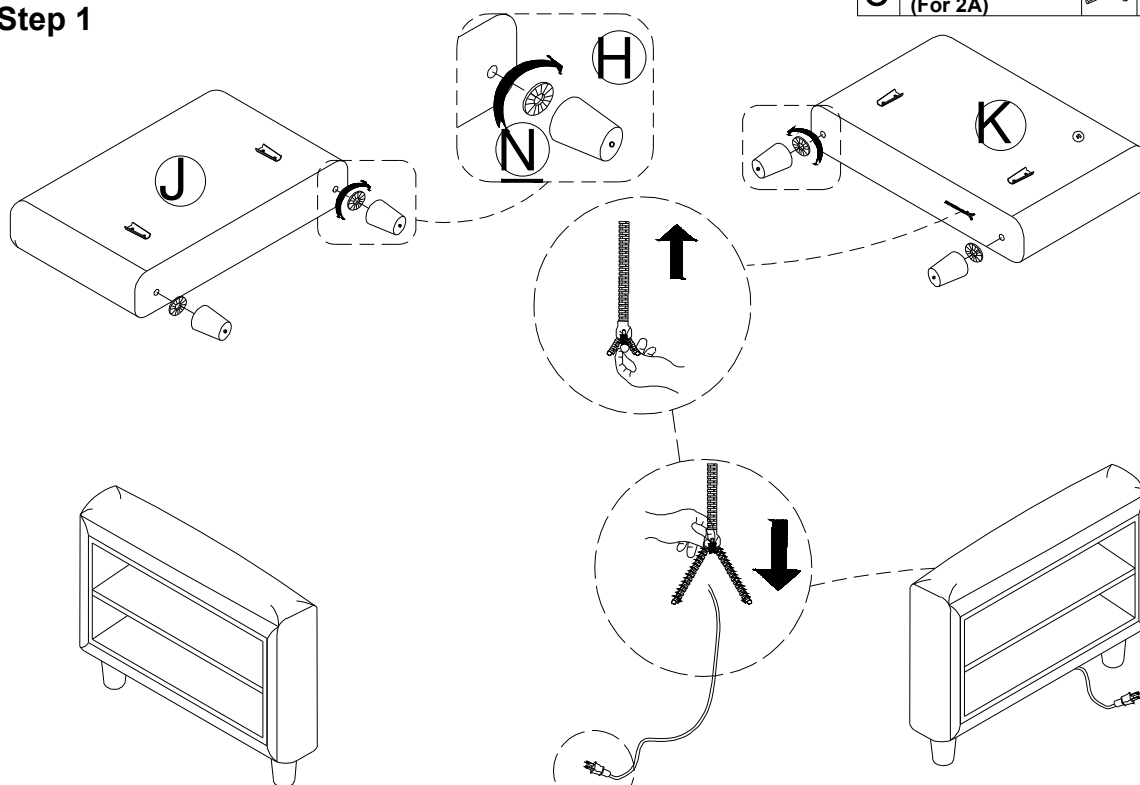
ARM PART LIST

No.	Description	Diagram	Quantity
B	PLASTIC LEG(45MM*97Hmm) (For 2A)		4
C	CASTOR (For 2A)		4
D	BACK PANEL (For 2A)		2
J	LSF ARM		1
K	RSF ARM		1
H	PLASTIC LEG (80MM*97Hmm)		4

HARDWARE LIST :

No.	Description	Diagram	Quantity
N	Plastic Washer	Ø45mm	4
L	Bolts (For 2A)	Ø1/4x20mm	8
M	Metal gasket (For 2A)	Ø16mm	8
N	Plastic Washer (For 2A)	Ø45mm	4
O	Allen Wrench (For 2A)	M4	1

Step 1



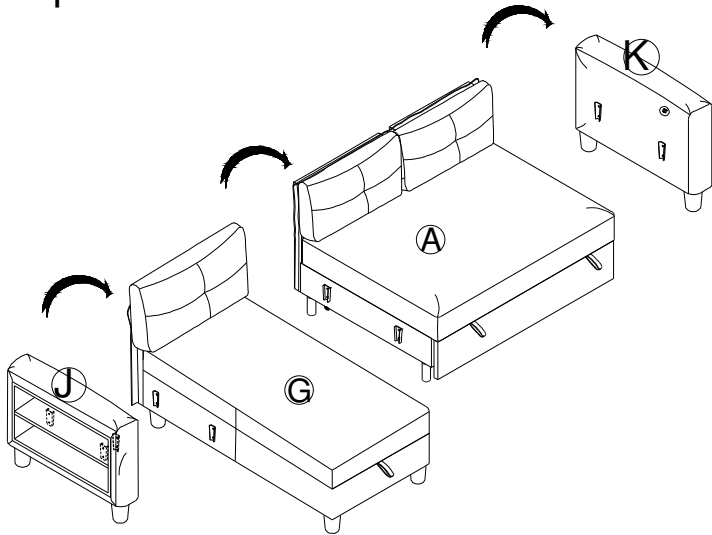
ASSEMBLY INSTRUCTION

2 Arms with Shelves, Charging Ports & backs of 2-Seater (AB)

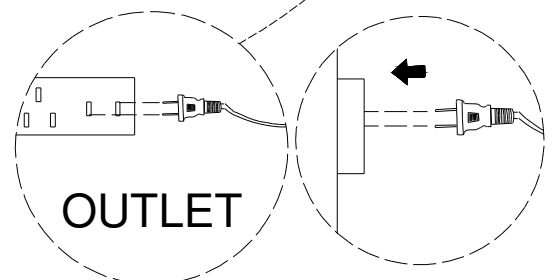
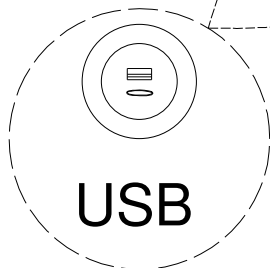
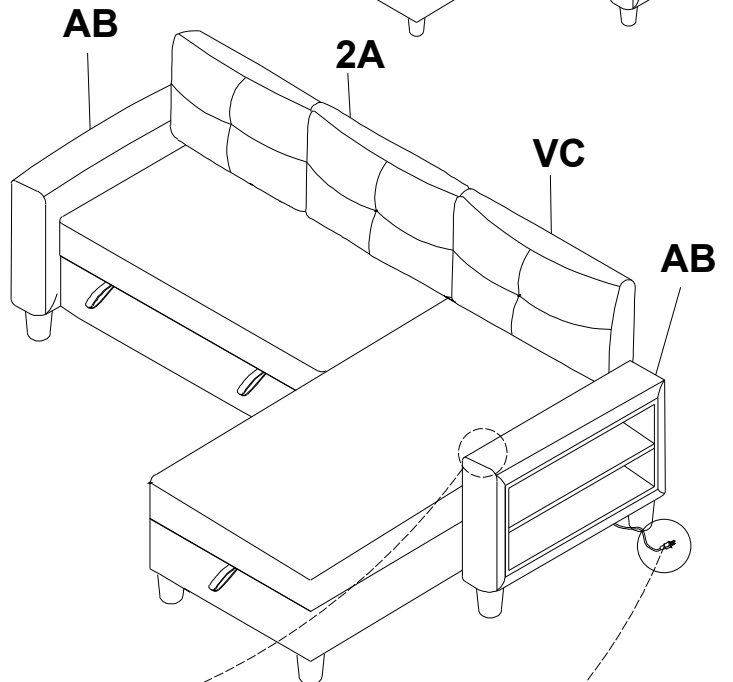
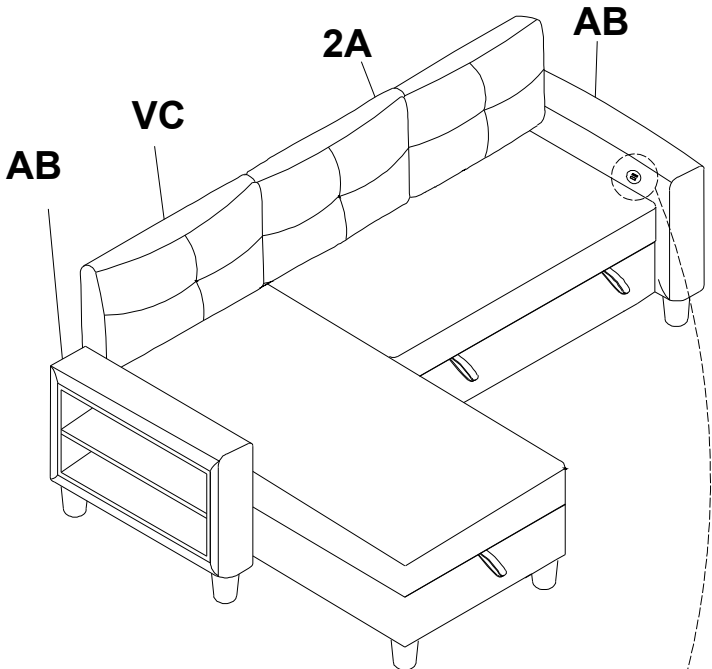
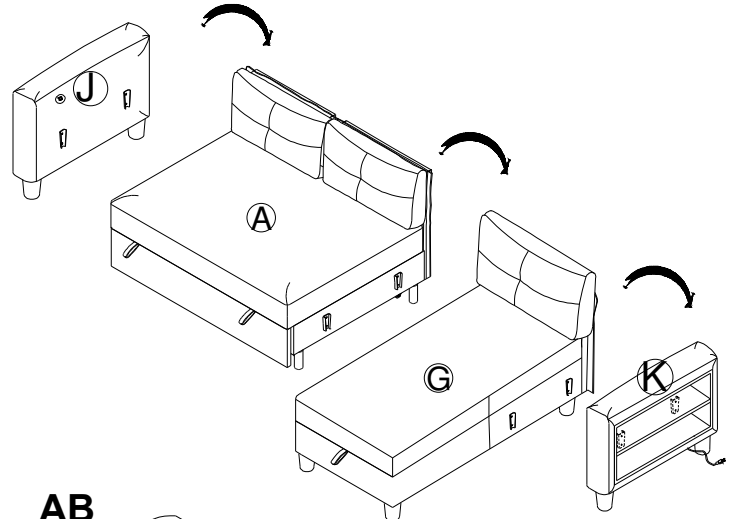
AB+2A+VC sectional set up

From this step, it is divided into two columns. The left and right columns correspond to Option A and Option B respectively. You can choose according to your needs.

Option A



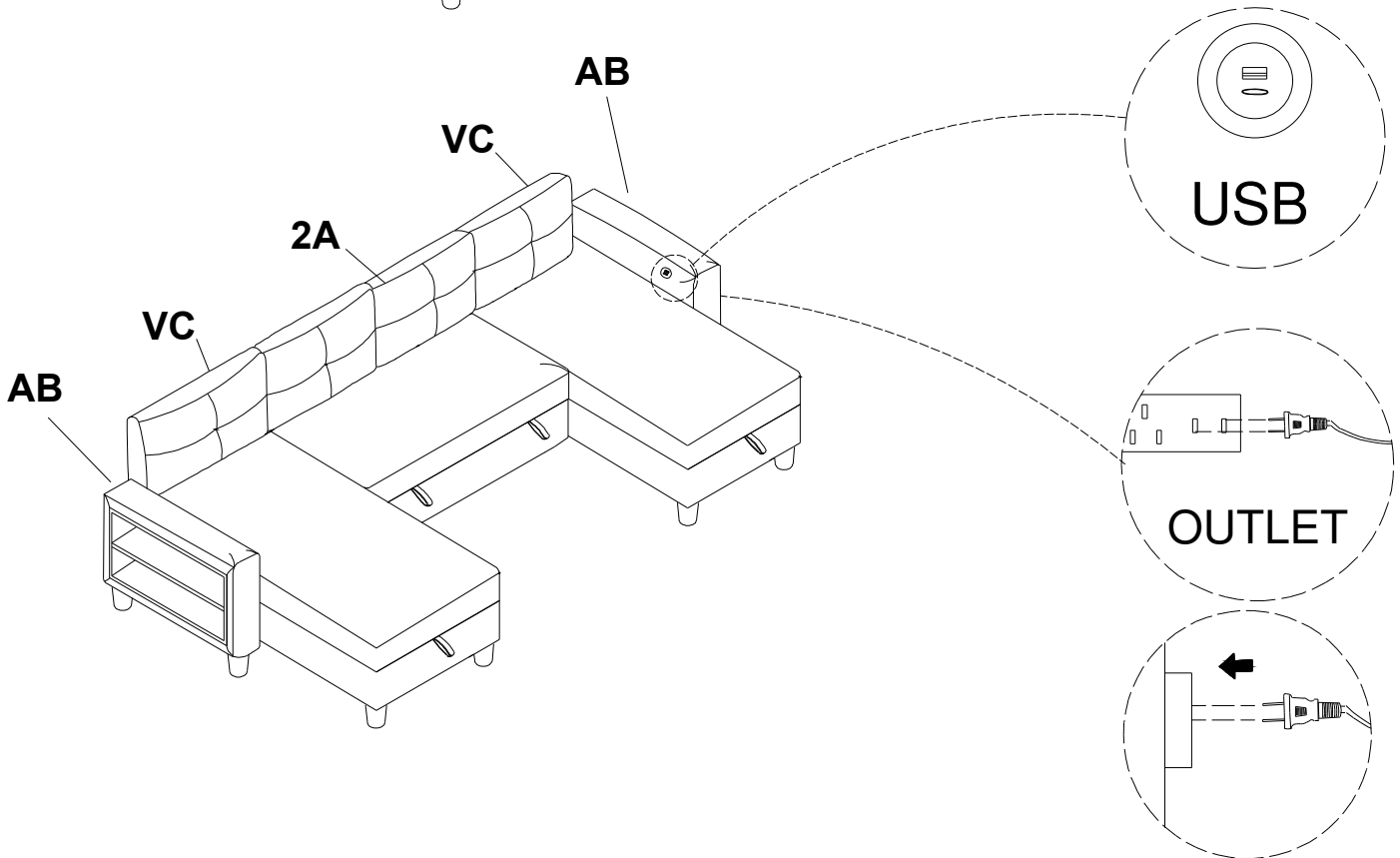
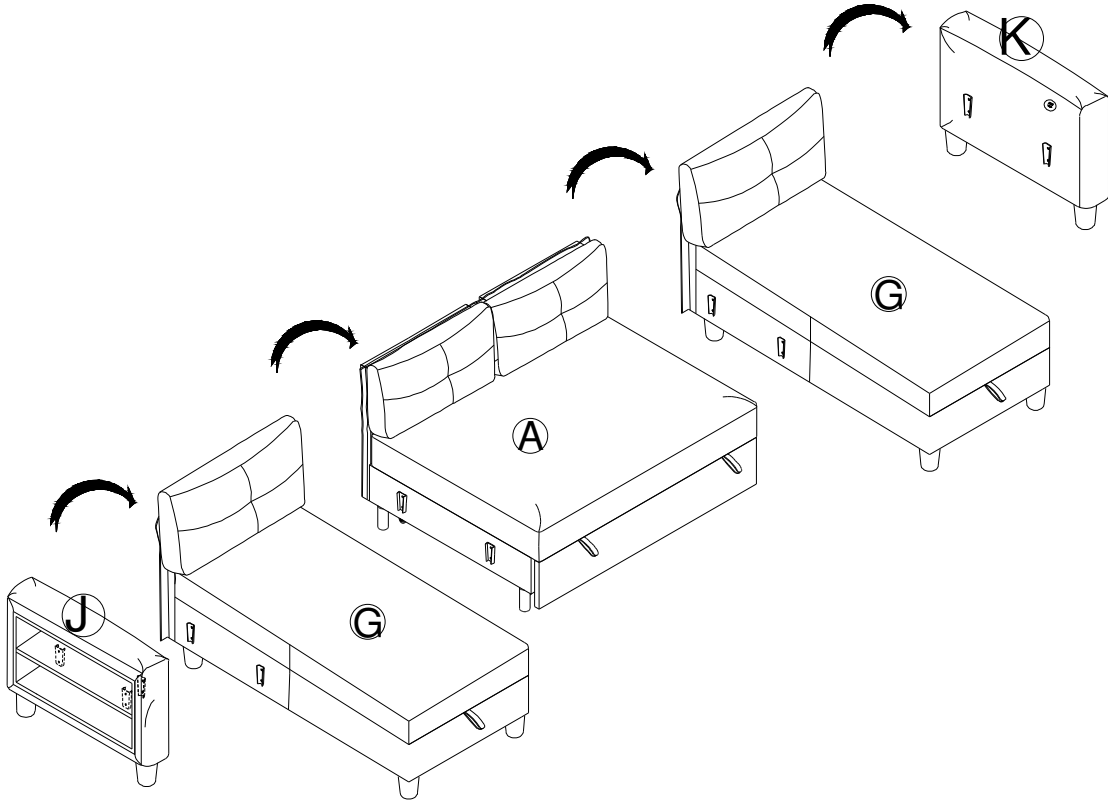
Option B



ASSEMBLY INSTRUCTION

2 Arms with Shelves, Charging Ports & backs of 2-Seater (AB)

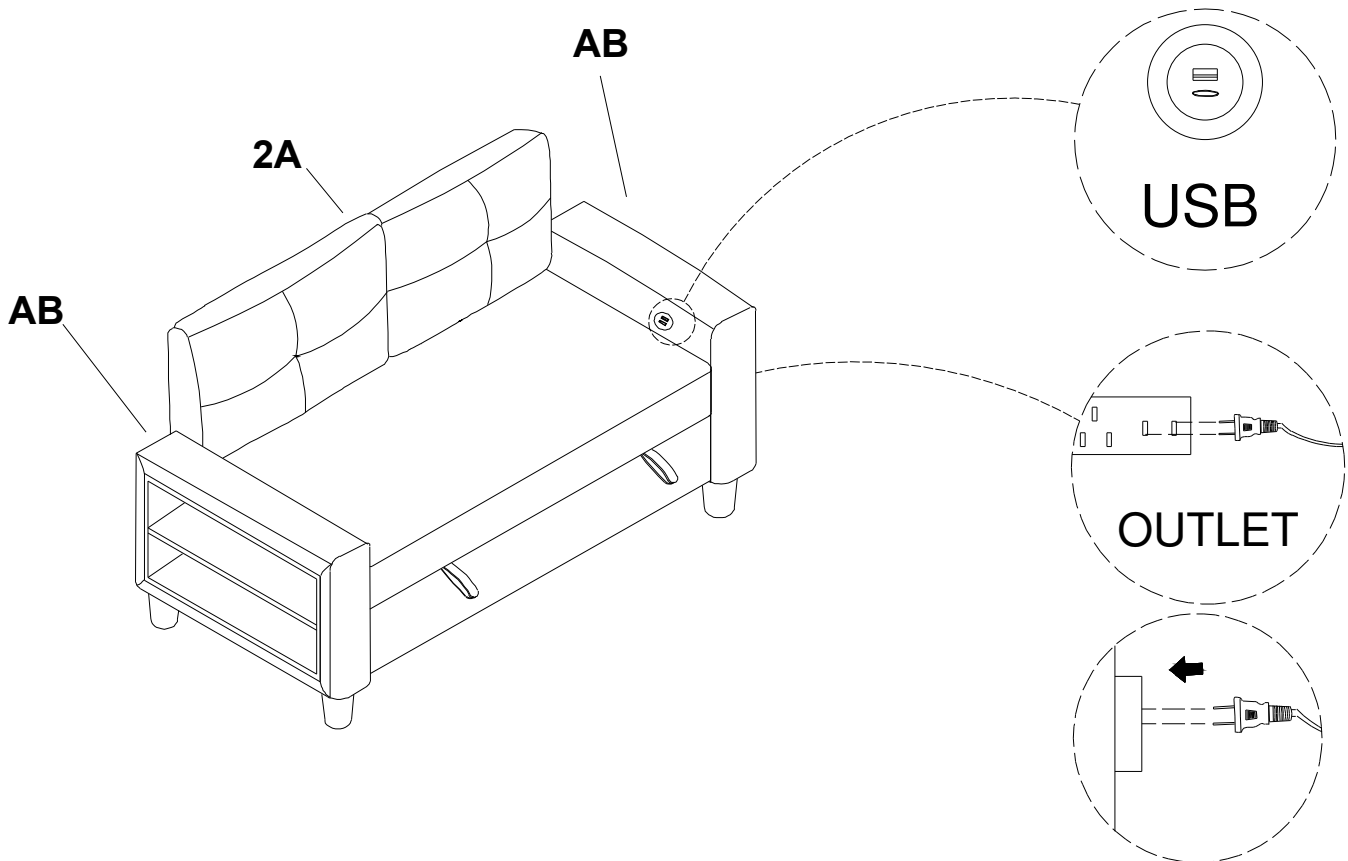
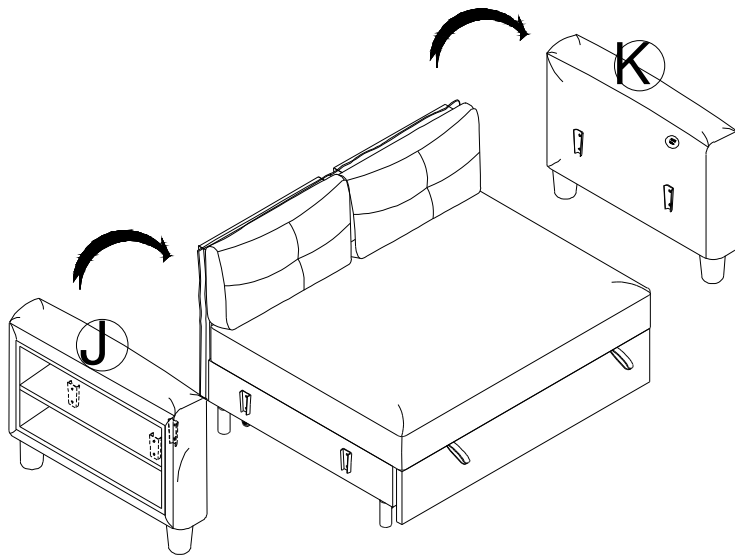
AB+2A+VC+VC sectional set up



ASSEMBLY INSTRUCTION

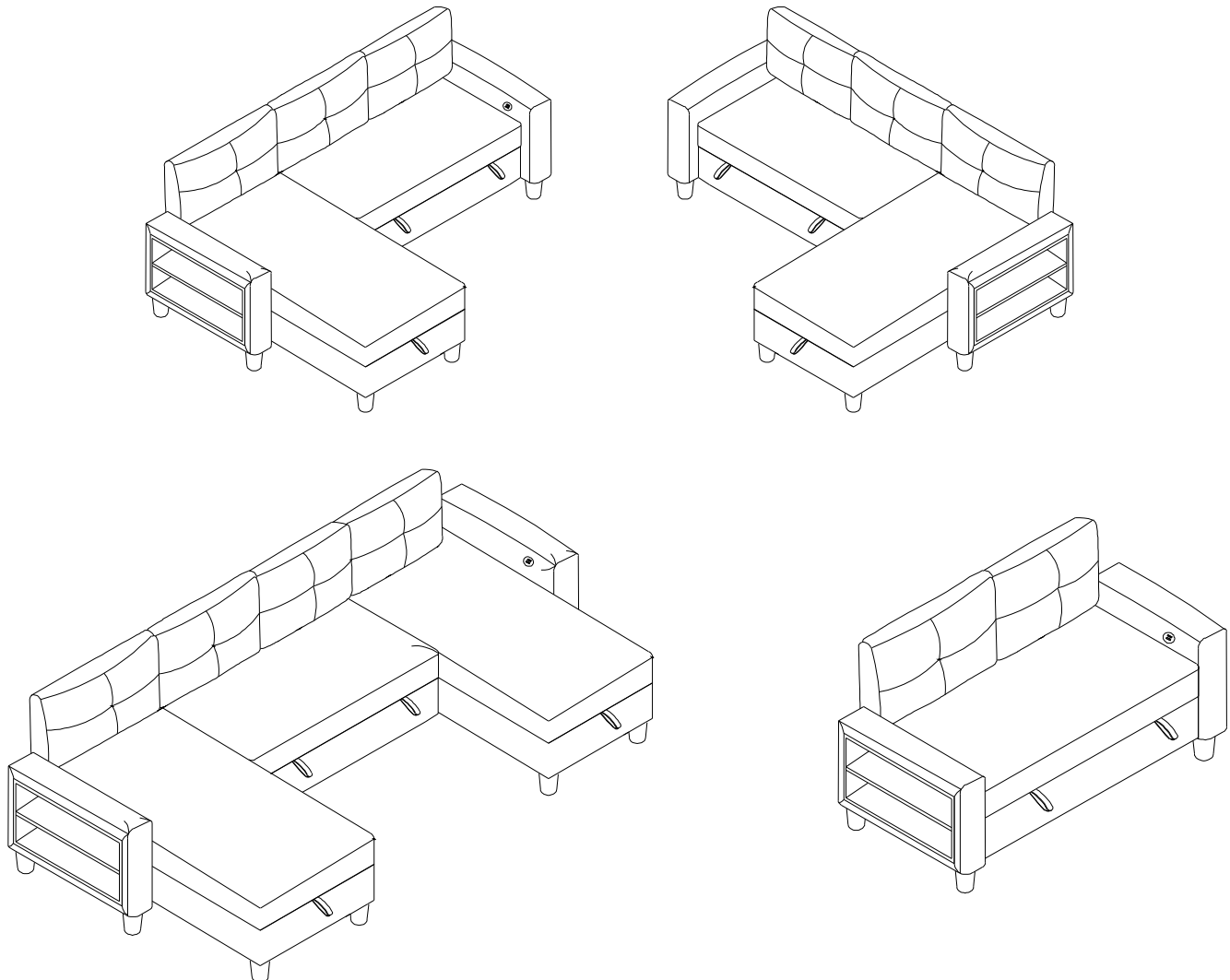
2 Arms with Shelves, Charging Ports & backs of 2-Seater (AB)

AB+2A



ASSEMBLY INSTRUCTION

2 Arms with Shelves, Charging Ports & backs of 2-Seater (AB)



Care Instruction for Boucle Furniture:

In order to maintain the original appearance of your Boucle furniture, please follow below simple care procedures:

Avoid exposing furniture directly to sunlight or heating and air conditioning outlets. Sunlight and or exposure to heating and air conditioning outlets will fade/damage Boucle.

Vacuum or wipe with a soft cloth to remove dust.

Hardware may loosen over time. Periodically check to make sure all connection are tight, Re-tighten if necessary.

For item use on wooden floor, hard surfaces or carpets, it is recommended to install protective pads under all legs and supports to avoid/prevent from damages/scratches and discoloration.

ASSEMBLY INSTRUCTION

Armless 2-Seater with Pull-out Bed (2A)

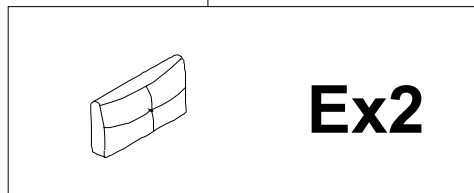
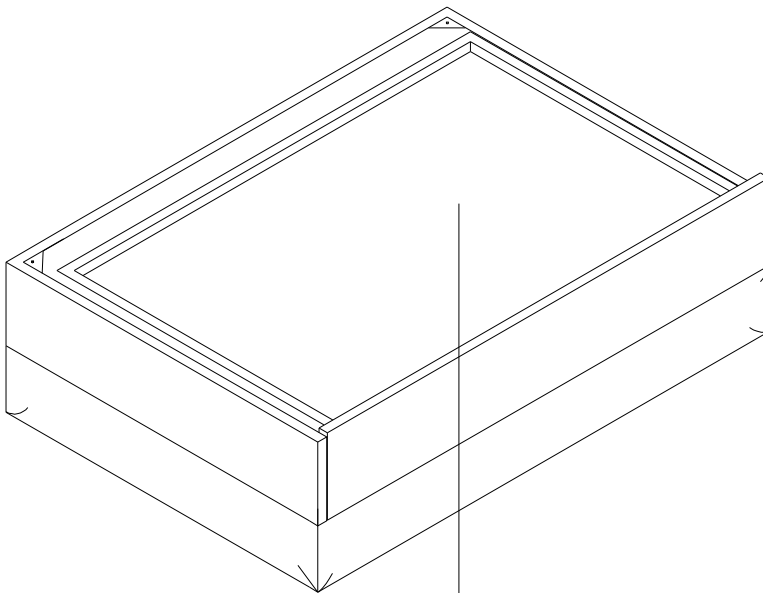


Legs and hardware are stored in the box, please take out for assembly

NOTE: Do not use power tools for assembly. Power tools increase the risk of over tightening which lead to splitting or cracking the wood.

2-SEATER PART LIST

No.	Description	Diagram	Quantity
A	PULL OUT SLEEPER SEAT		1
B	PLASTIC LEG(45mm*97mm) (packed in AB)		4
C	CASTOR (packed in AB)		4
D	BACKPANEL (packed in AB)		2
E	BACK CUSHION		2



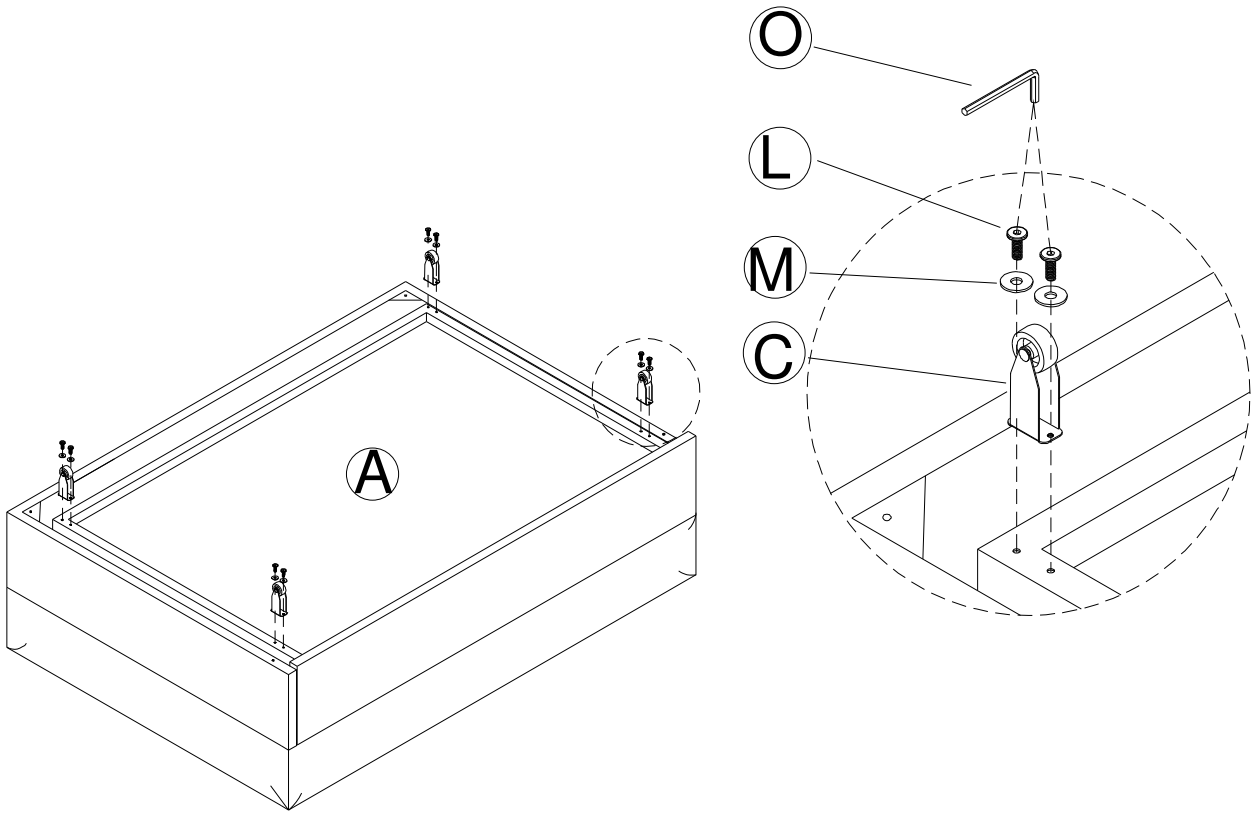
HARDWARE LIST :

No.	Description	Diagram	Quantity
L	Bolts (packed in AB)	Ø1/4x20mm	8
M	Metal gasket (packed in AB)	Ø16mm	8
N	Plastic Washer (packed in AB)	Ø45mm	4
O	Allen Wrench (packed in AB)	M4	1

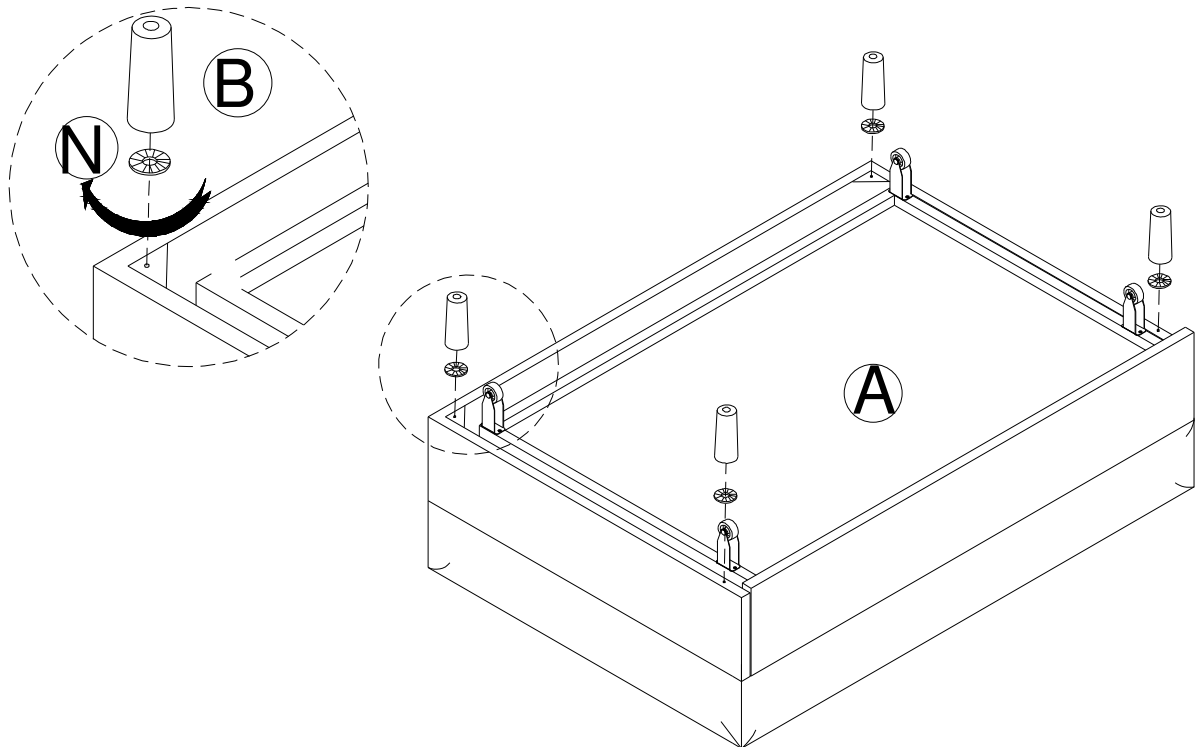
ASSEMBLY INSTRUCTION

Armless 2-Seater with Pull-out Bed (2A)

Step 1



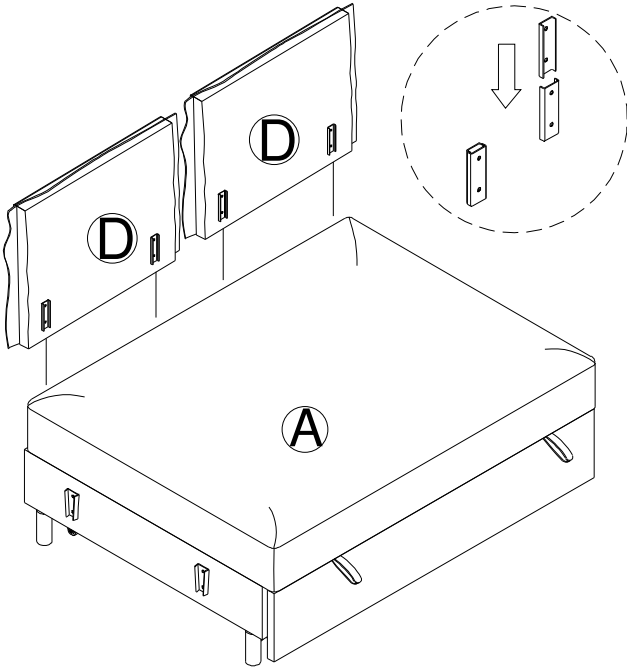
Step 2



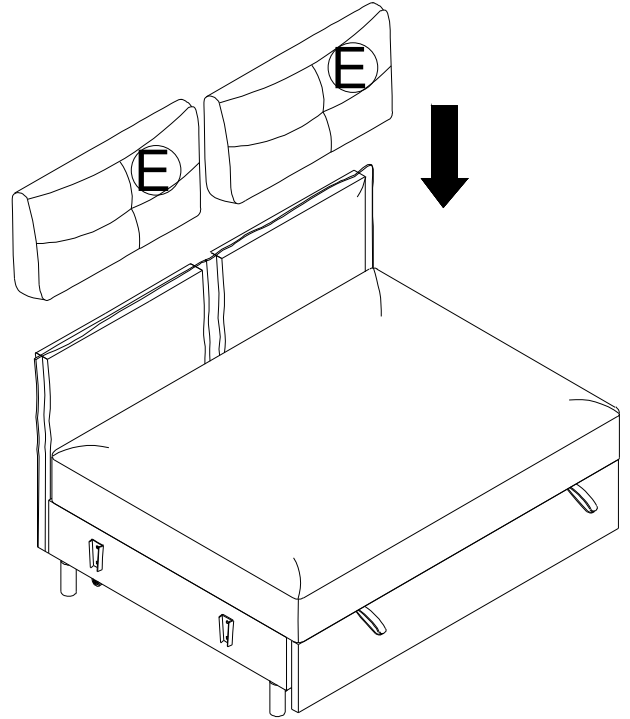
ASSEMBLY INSTRUCTION

Armless 2-Seater with Pull-out Bed (2A)

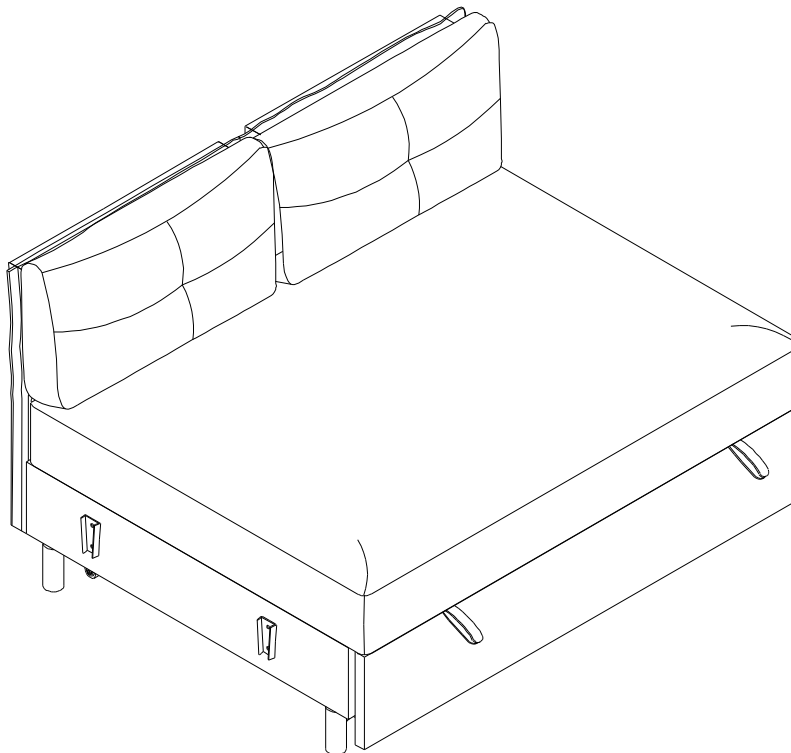
Step 3



Step 4



Step 5



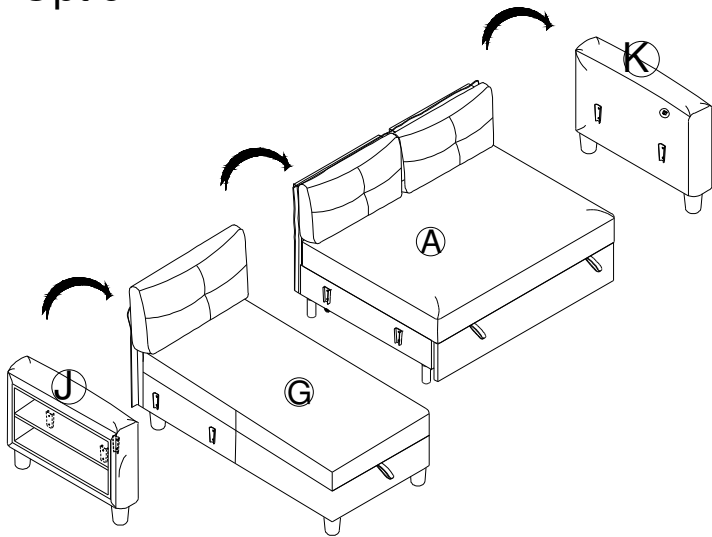
ASSEMBLY INSTRUCTION

Armless 2-Seater with Pull-out Bed (2A)

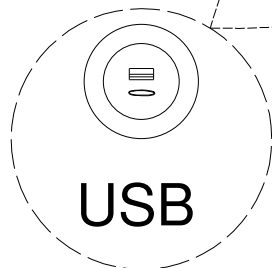
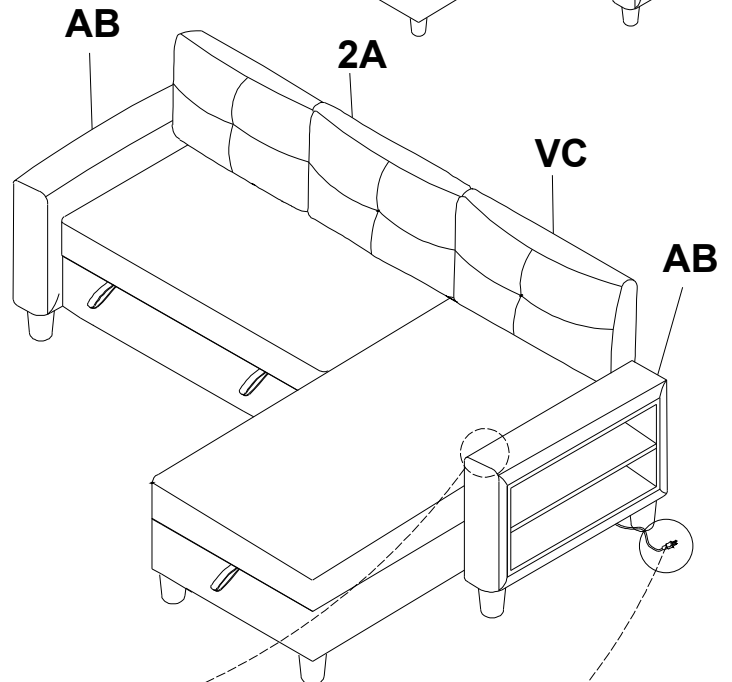
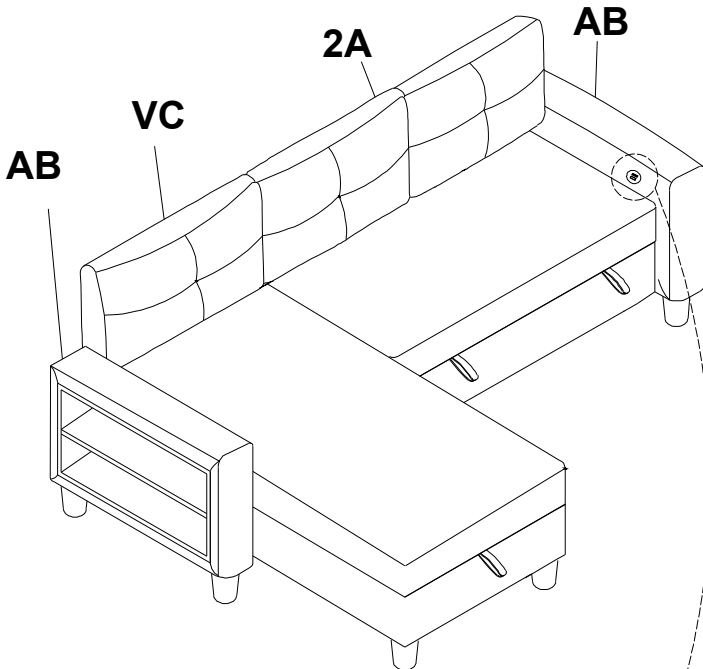
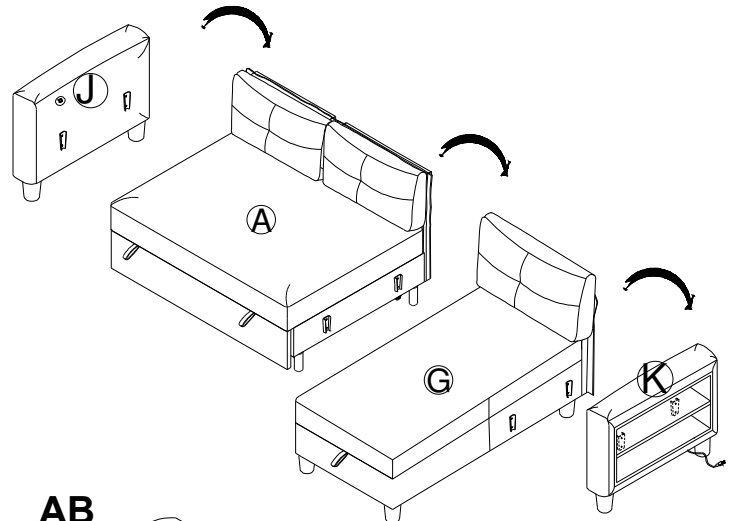
AB+2A+VC sectional set up

From this step, it is divided into two columns. The left and right columns correspond to Option A and Option B respectively. You can choose according to your needs.

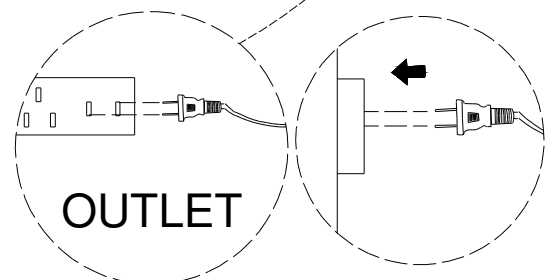
Option A



Option B



USB

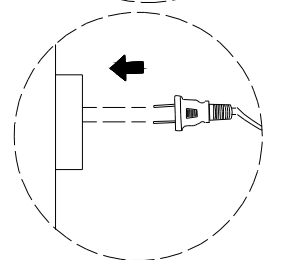
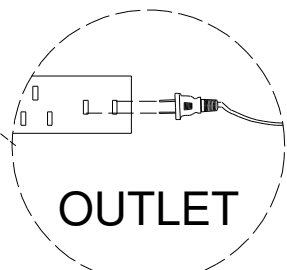
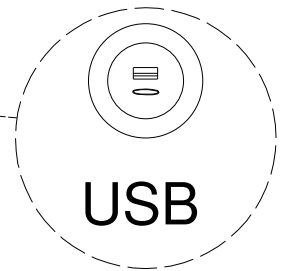
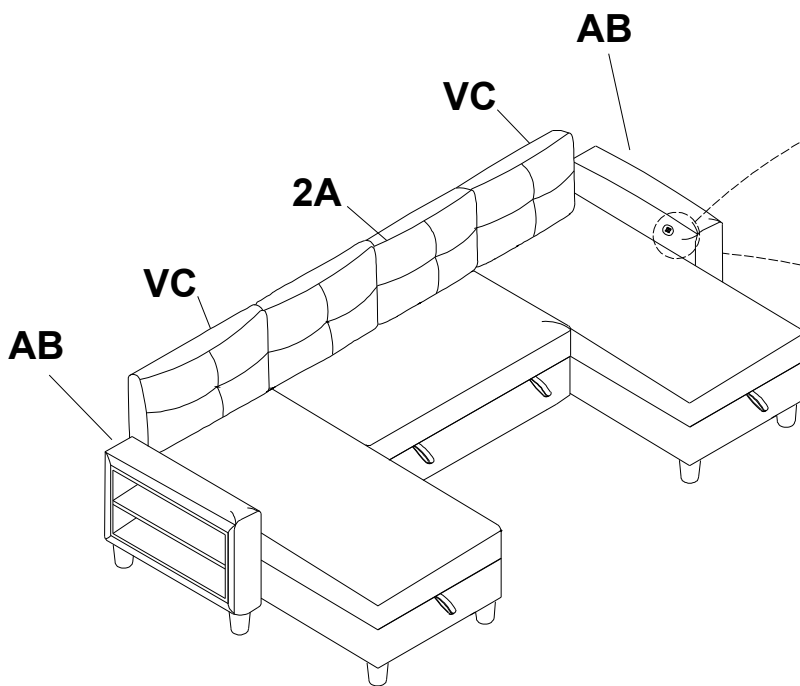
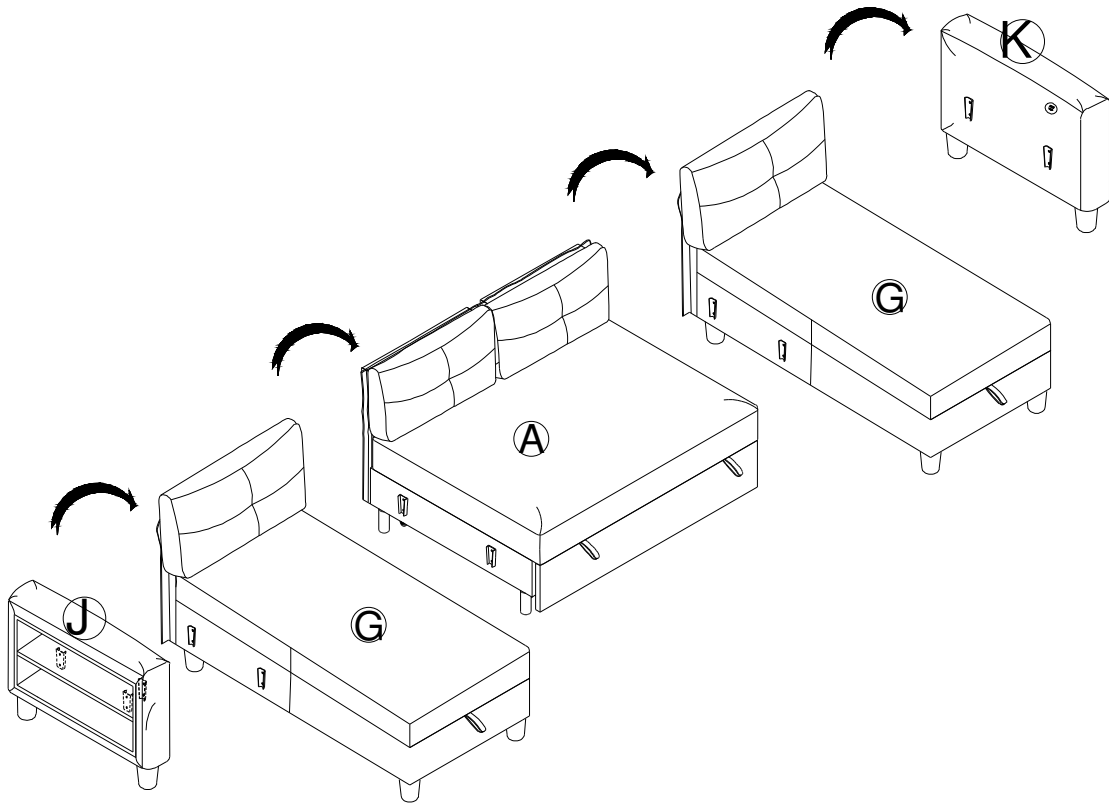


OUTLET

ASSEMBLY INSTRUCTION

Armless 2-Seater with Pull-out Bed (2A)

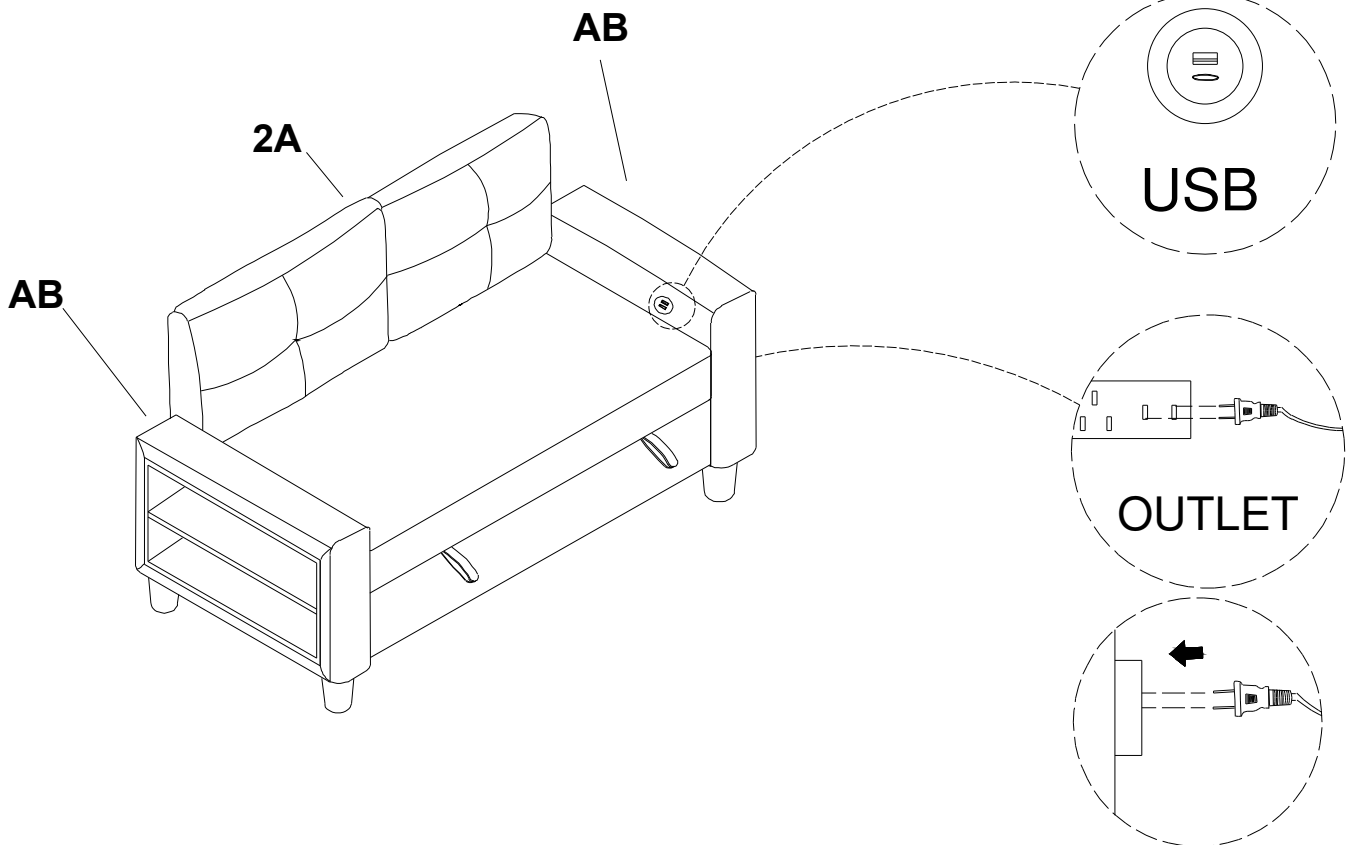
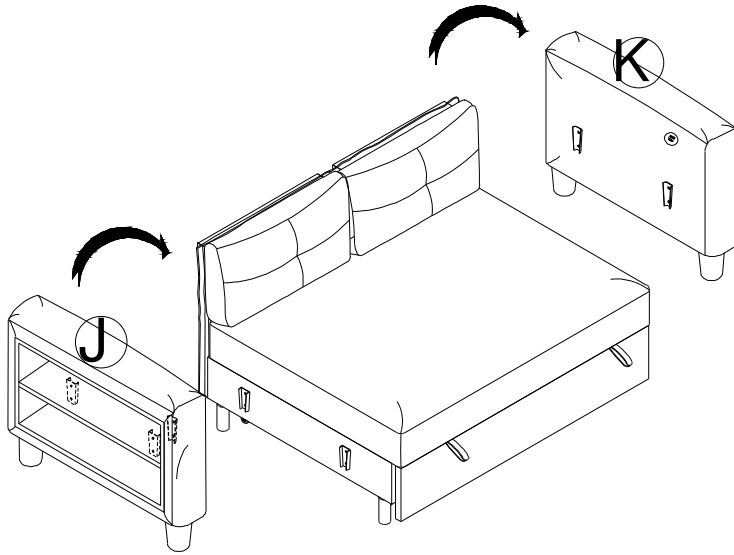
AB+2A+VC+VC sectional set up



ASSEMBLY INSTRUCTION

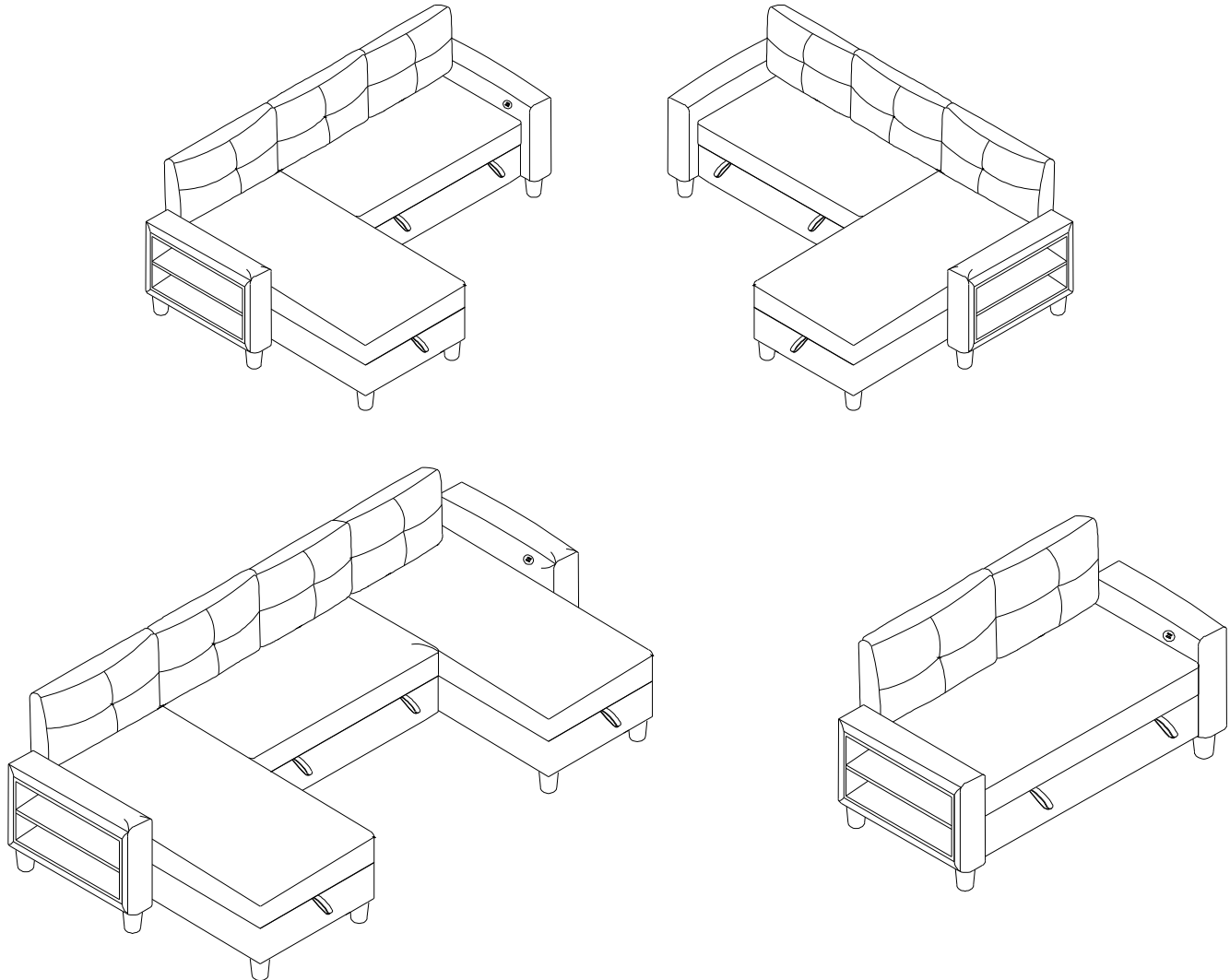
Armless 2-Seater with Pull-out Bed (2A)

AB+2A



ASSEMBLY INSTRUCTION

Armless 2-Seater with Pull-out Bed (2A)



Care Instruction for Boucle Furniture:

In order to maintain the original appearance of your Boucle furniture, please follow below simple care procedures:

Avoid exposing furniture directly to sunlight or heating and air conditioning outlets. Sunlight and or exposure to heating and air conditioning outlets will fade/damage Boucle.

Vacuum or wipe with a soft cloth to remove dust.

Hardware may loosen over time. Periodically check to make sure all connection are tight, Re-tighten if necessary.

For item use on wooden floor, hard surfaces or carpets, it is recommended to install protective pads under all legs and supports to avoid/prevent from damages/scratches and discoloration.