


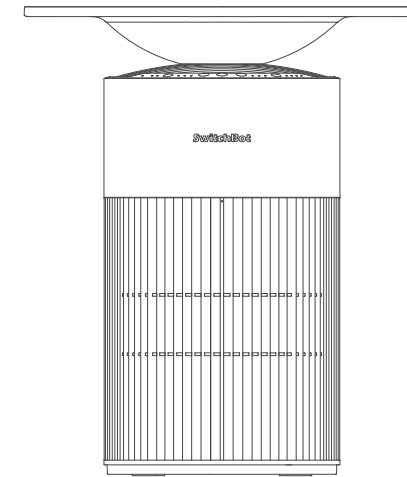
文件名称: Air Purifier(无线版)-SMS-EN-2408	设计师: WWX	完成时间: 2024/08/06
版本号: V1.0-2408	成品尺寸: 120mm × 200mm	
材质和工艺: 封面 157g铜版纸+内页 80g书写纸+封面过哑胶+四色+一专+骑马钉  PT 2034C		
更改内容:		
备注: 红色、蓝色辅助线框不印刷、此页表格不印刷		

www.switch-bot.com

V1.0-2408

SwitchBot Air Purifier Table

User Manual



Please read this user manual carefully before using your device.

Scannen Sie den QR-Code, um die deutsche Version unseres Benutzerhandbuchs zu erhalten.
Scannez le code QR pour obtenir notre manuel d'utilisation en version française.
Escanee el código QR para obtener la versión en español de nuestro manual de usuario.
Scan de QR code voor de Nederlandse versie van onze gebruikershandleiding.
Scansionate il codice QR per ottenere la versione italiana del nostro manuale d'uso.

<https://www.switch-bot.com/pages/switchbot-user-manual>

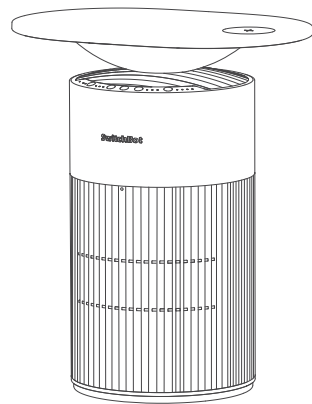


User Manual

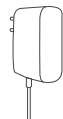
Contents

1. Package Contents	01
2. List of Components	01
3. Preparation	03
4. Alexa Voice Commands	03
5. Installation	04
6. Product Assembly	04
7. Using the Product	07
8. Wireless Charging	07
9. Care and Maintenance	12
10. Resetting Factory Settings	14
11. Firmware Upgrades	14
12. Frequently Asked Questions	15
13. Specifications	17
14. Warranty	17
15. Contact & Support	18

Package Contents



Air Purifier × 1

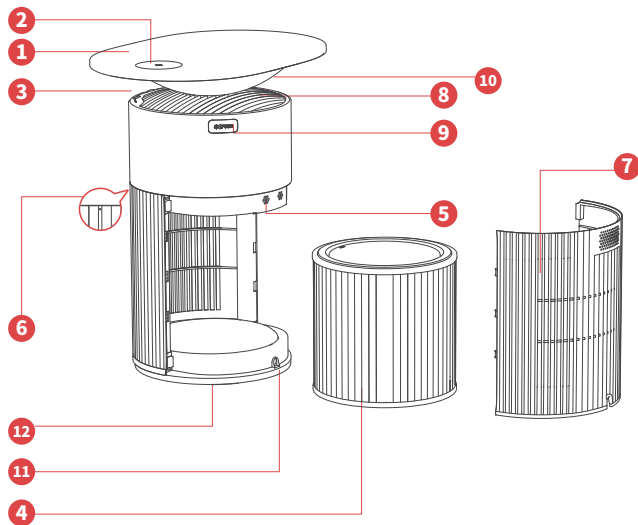


Adapter × 1



Screwdriver × 1
Screw × 4

List of Components



① Table

Max. load bearing: 5 kg (11 lb.)

Note: Avoid placing any liquids on the table to prevent accidental spills that could damage the device.

② Wireless charging unit

Used to charge electronic devices supports wireless charging.

③ Control panel

Set or adjust functions.

④ Filter

Removes ultra-fine dust particles, possible sources of sick house syndrome, smog, and odors.

⑤ PM2.5 sensor

Detects the PM (particulate matter) density for very fine particles.

⑥ Light sensor

Detects ambient light and adjusts the button backlight accordingly.

⑦ Air inlet

The back cover is removable.

⑧ Air outlet

Exhausts the purified air.

⑨ Aroma pad box

You can add essential oils to it.

⑩ Ambient light

Displays air quality.

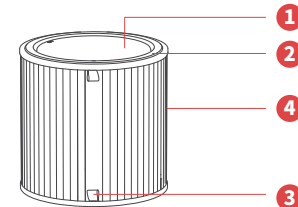
⑪ Power port

Connects to an power outlet.

⑫ Auxiliary device port

Connects to other SwitchBot devices for power supply.

Filters



① Activated carbon filter

Removes unpleasant everyday odors from sources such as diapers, cigarette smoke, and strong-smelling foods.

② HEPA filter

Removes allergens such as dust, pollen, mold, cigarette smoke (particles), danders, etc.

③ Filter handle

Used to remove the filter from the product.

④ Pre-filter

Attached on the outside of the filter; used to remove large airborne particulates.

Note: Do not discard the filter carelessly or use it for other purposes.

Preparation

You will need:

- A smartphone or tablet using Bluetooth 4.2 or later.
- The latest version of our app, downloadable via the Apple App Store or Google Play Store.
- A SwitchBot account, you can register via our app or sign in to your account directly if you already have one.



Alexa Voice Commands

Add your Air Purifier to our app and control it with third-party services such as the Alexa app.

Voice commands:

- Alexa, turn on the air purifier.
- Alexa, set the air purifier to Sleep mode.

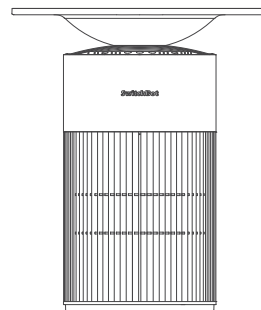
Scan the QR code for more commands.



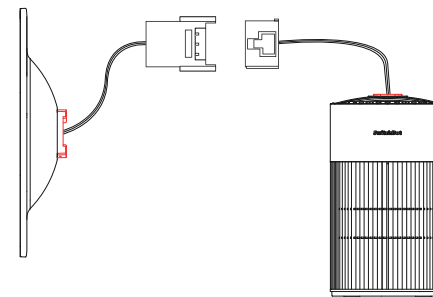
Installation

Product Assembly

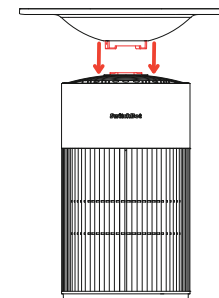
- 1 Find the main body and the table from the box and remove the protective vinyl.
- 2 Prepare the main body and the table. The side with the SwitchBot logo is the front of the product.



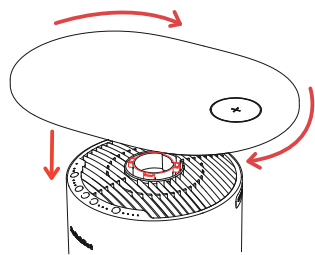
- 3 Connect the cable between the main body and the table.



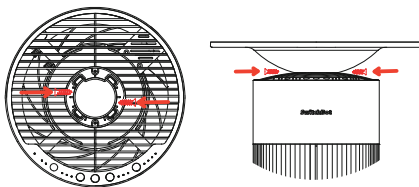
- 4 Assemble the table to the main body. Ensure the wireless charging unit is on the right.



5 Rotate the table 30° counterclockwise until it is in position. Then, continue rotating clockwise to fasten the connection.



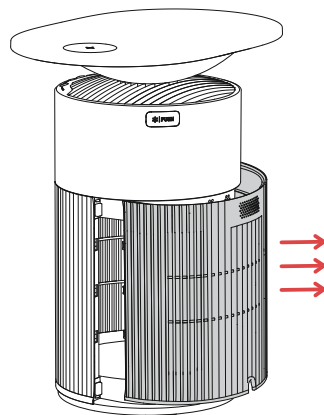
6 Install the screws on both sides.



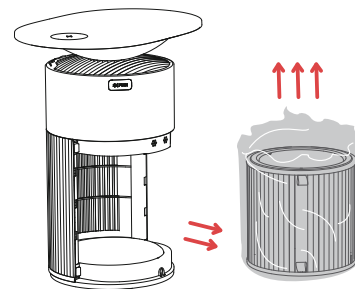
Note: Ensure the cable between the main body and the table is correctly connected to use the wireless charging and light functions.

Unpackaging

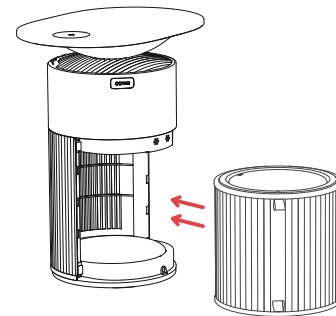
1 Remove the back cover from the product. The side with the SwitchBot logo in the center is the front.



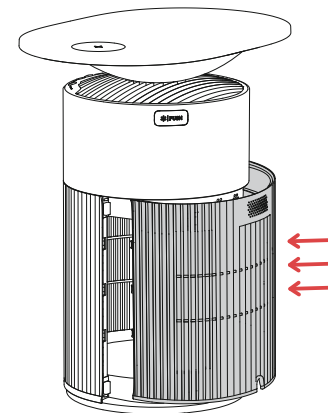
2 Remove the filter, unwrap it, and discard the plastic wrapper.



3 Install the filter in the product. Make sure that the handle faces upward.



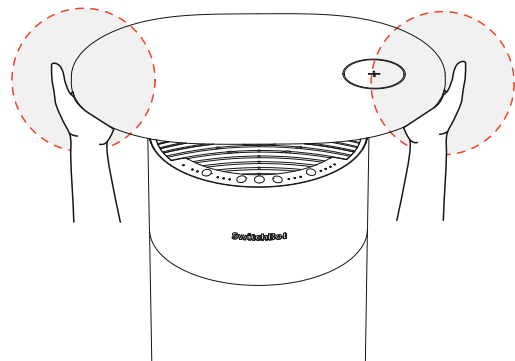
4 Insert the tabs on the bottom of the back cover into the slots in the product and close the cover.



Note: Be sure to remove the protective vinyl from the filter before using the product.

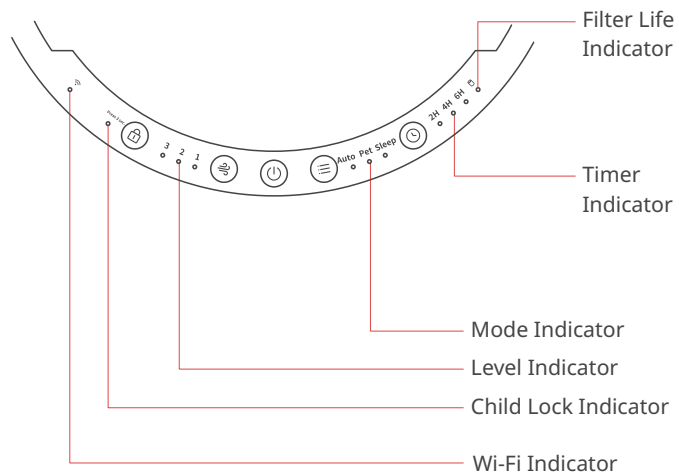
Moving the Product

- When moving the product, please unplug the power cord from the bottom power port.
- Hold the table on both sides to safely move the product.

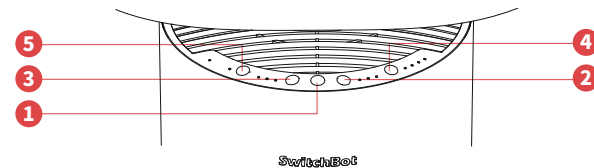


Using the Product

Control Panel



Buttons



- 1. Power Button**
Turns on/off the device.
- 2. Mode Switch Button**
Switches between Auto/Sleep/Pet modes.
- 3. Fan Speed Button**
Switches between three fan speed levels.
- 4. Timer Button**
Used to set timers.
- 5. Child Lock Button**
Locks buttons on the control panel.

Operation	Description
Press the Power Button for 2s.	Start network connection.
Press the Power Switch Button for 15s.	Restore factory settings.
Press the Timer Button for 3s.	Reset filter service life.
Press the Child Lock Button for 3s.	Open/close child lock.

Mode Description

Mode	Description
Sleep mode	Runs at a low rotational speed to minimize noise.
Auto mode	Adjusts the rotational speed according to the detected air quality.
Pet mode	Runs in a high rotational speed to remove pet hair and danders in the air. If the air quality is poor, it will automatically raise the rotational speed.

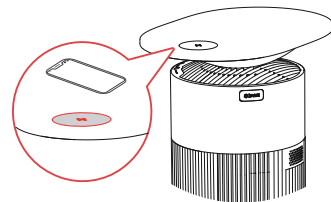
Indicator Description

LED Indicator Light	Description
Level Indicator	Indicates air speed level.
Mode Indicator	Indicates operation mode.
Timer Indicator	Indicates the currently used timer.
Child Lock Indicator	Turns on when child lock function is activated.
Filter Life Indicator	Turns on when the filter's remaining life is less than or equal to 10%.
Wi-Fi Indicator	<p>Flashes fast: The device is waiting for network connection.</p> <p>Flashes slowly: The device is connecting to the network</p> <p>On: The device has connected to the Internet.</p>

Wireless Charging

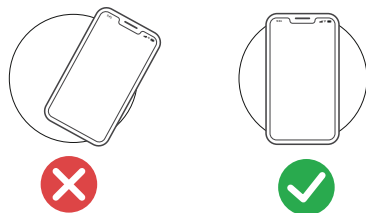
Place a smart device supporting wireless charging on the charging area with the power connected to the product.

Note: Charging smart watches is not supported.



Place the smart device in the center of the wireless charging area.

- Ensure the smart device is centered on the wireless charging unit for optimal charging.
- If the device is not properly placed, charging efficiency decreases, and charging may repeatedly start and stop.



Note:

- Wireless charging may stop due to metallic objects between the wireless charging unit and the smart device.
- Metallic substances may become hot during the charging process, resulting in low-temperature burns.

Filter Life Reminder

The filter life indicator will turn orange after 4320 hours of operation. In this case, check and replace the filter. After the replacement, reset filter service life via the app or by pressing the Timer button for 3s.

Ambient Light

When the device is started, the ambient light will turn on in blue for about 8s. After the PM2.5 sensor works, the ambient light will indicate the detected air quality.

You can change the light color and status via our app.

When the Light Mode is set to Auto via the app, the button and ambient lights will automatically turn off in low ambient light, taking care of you and your family's sleep.

Air Quality

The product supports the display of four air quality levels.

Light Color	Air Quality	Auto Mode Fan Speed	PM2.5 Concentration
Blue	Very Good	Low	0-50 $\mu\text{g}/\text{m}^3$
Green	Good	Medium	51-100 $\mu\text{g}/\text{m}^3$
Orange	Moderate	High	101-150 $\mu\text{g}/\text{m}^3$
Red	Bad	Turbo	> 150 $\mu\text{g}/\text{m}^3$

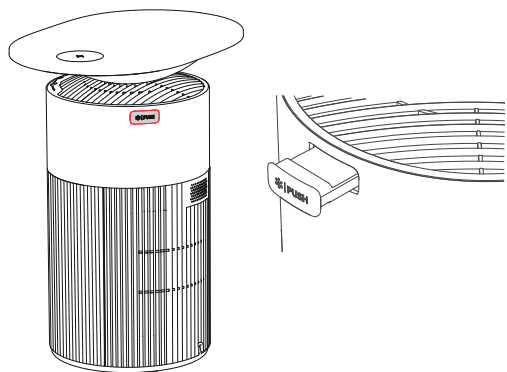
Light Sensor

Note: Light Sensor is used to detect ambient light. Ensure it is not obstructed.

Aroma Pad Box

Push to remove the box from the main unit and drop essential oil on the pad.

Note: Using essential oil or fragrance may affect air quality results.



Hair Removal Performance

Specially designed air inlets combined with high-speed fans effectively absorb floating hair. The higher the speed, the better the adsorption effect. For best results, use the Pet mode or the highest fan speed daily.

Note:

- When using different or identical products in the same space, air circulation may cause differences in the level of dust concentration.
- The flow around the dust sensor interferes with the normal operation of the dust sensor, so the level of dust concentration displayed may differ from the actual level of dust concentration.
- If the product is used in the following environments, the level of dust concentration displayed may differ from the actual value:
 - Around fabric sofas and beds, around shaggy carpets, when arranging blankets/clothes, when vacuum cleaners are in use, insects and pet areas, high humidity areas;
 - Places where outside air enters, such as construction sites, roadsides, factories or around entrances, windows and ventilation openings;
 - Where there are products that generate steam and fine particles (humidifiers, cookware, sprays, etc.);
 - Even if dust is generated by activities such as mopping or cleaning, the sensor may not respond if dust larger than fine dust is generated, but the dust will be removed by the filter

Care and Maintenance

If used in environments with strong odors such as air fresheners, essential oils, cigarette smokes, or barbecue, the filter may absorb these odors and develop a strange smell over time (several weeks to several months). Increase maintenance frequency as needed. For best results, use this product in odorous environments alongside indoor ventilation. Note that odors take longer to remove than dust.

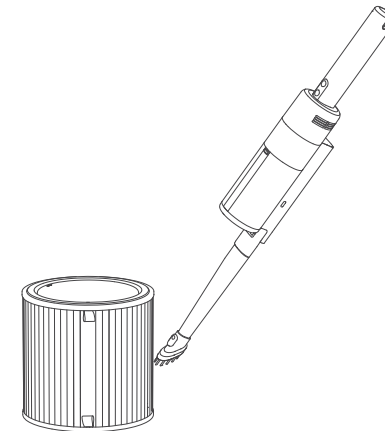
Maintain the Main Unit (Once a Month)

- Unplug the power cord before maintenance.
- Wipe the exterior of the device with a dry soft cloth. If necessary, wipe with a slightly moist cloth and completely dry it.
- Use a vacuum cleaner to clean the interior.
- Do not clean the product with an alkaline detergent.

Maintain the Filters

Part	Cleaning Frequency	Replacement Frequency
Pre-filter	Every 2 to 4 weeks	/
Filter	/	Replace yearly.

Note: Do not use liquids such as water to clean the filter.



Replace the Filter (Every 6 to 12 Months)

The filter has a lifespan of approximately 1 year. Replace the filter based on the filter life indicator.

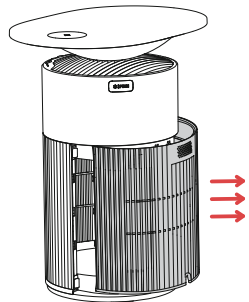
The replacement interval may vary depending on the frequency of use and the pollution level of the environment. In highly polluted areas, the filter may need more frequent replacement even if the indicator does not light up.

Replace the filter under the following conditions:

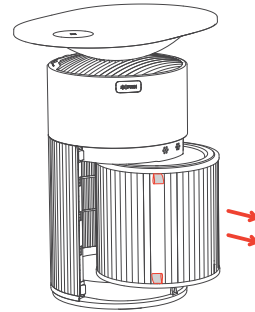
- Increased equipment noise
- Odors

How to replace:

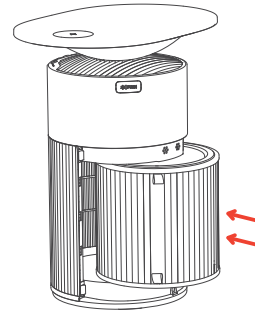
- 1 Remove the cover.



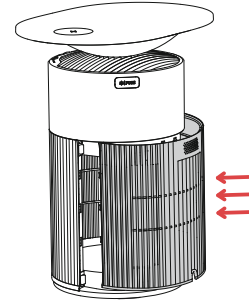
- 2 Pull the handle to remove the filter.



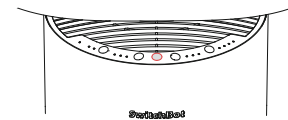
- 3 Insert the new filter.



- 4 Reinstall the cover.



- 5 Reset the filter life via the app or by pressing the Timer Button for 3s.



Storage

If the product will not be used for a long period of time, package and store it in a dry and shaded place.

Resetting Factory Settings

Long press the Power Button for 15s.

Firmware Upgrades

In order to improve user experience, we will regularly release firmware updates to introduce new functions and solve any software defects that may occur during usage. When a new firmware version is available, we will send an upgrade notification to your account via our app. When upgrading, please make sure your product has sufficient battery or stay powered on and make sure your smartphone is within range to prevent interference.

Frequently Asked Questions

Please troubleshoot according to this manual before contacting customer support.

Symptoms	Causes and Solutions
The product does not operate.	<ul style="list-style-type: none"> • Check if the power cord is connected. • Check if the power cord is damaged. If so, stop using the device and contact customer support. • Confirm that the air intake cover is installed correctly. • The device malfunctions.
A noise occurs when the device is operating.	<ul style="list-style-type: none"> • Ensure that the filter is properly installed. • Ensure that the device is placed on a hard, flat, and level surface. • Replace the filter. • The device is faulty or foreign matter falls to the inside.
A strange odor comes out of the product.	<ul style="list-style-type: none"> • Check the filter and replace it if necessary. • Is the product used in a place with a lot of smoke or odors? <ul style="list-style-type: none"> • Avoid using the device in areas with strong odors, as the odors may persist for weeks. Replace the filter if necessary.

The air has not been purified.	<ul style="list-style-type: none"> • Check if the filter wrapper has been removed. • Ensure the room area does not exceed 40 square meters, as the device may not operate effectively in larger spaces. • Verify that the air outlet or air inlet on the top or side of the device is not blocked by any objects. • Does the air speed at the outlet decrease? <ul style="list-style-type: none"> • Clean the air inlet, air outlet, sensors, and pre-filter. • Switch to a larger fan speed. • Replace the filter.
Ambient light color remains unchanged after the device operates for a period of time.	<ul style="list-style-type: none"> • The sensitivity of the sensor may be unstable upon initial use. • Using the device in environments with strong odors can decrease sensor sensitivity. <ul style="list-style-type: none"> • Set the fan speed to level 2 or 3 and operate the device for several hours continuously. • Unplug the power cord and ventilate the room."
Ambient light color remains in red and does not change.	<ul style="list-style-type: none"> • Did you open the room windows when operating this device? <ul style="list-style-type: none"> • The ambient light status will stay unchanged in a ventilated room.

Please visit our website or scan the QR code below for more information.



Specifications

Material: ABS+PC

Power: 100 to 240 V AC, 50 to 60 Hz

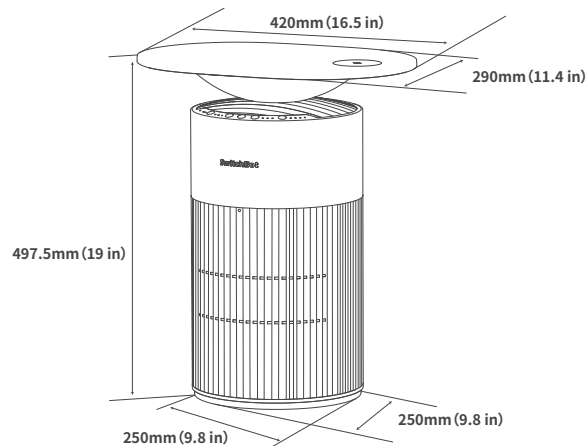
Size with table: 290 × 420 × 497.5 mm (11.4 × 16.5 × 19 in.)

Size of the main unit: 250 × 250 × 497.5 mm (9.8 × 9.8 × 19 in.)

Weight: 4.8 kg (11 lb.)

Operating Temperature: 0 °C to 40 °C (32 °F to 104 °F)

Connectivity: 2.4 GHz Wi-Fi + Bluetooth 4.2



Warranty

We warrant to the original owner of the product that the product will be free from defects in materials and workmanship. Please note that this limited warranty does not cover:

1. Products submitted beyond the original limited warranty period.
2. Products on which repairs or modifying have been attempted.
3. Products subjected to falls, extreme temperatures, water, or other operating conditions outside the product specifications.
4. Damage due to natural disaster (including but not limited to lightning, flood, tornado, earthquake, or hurricane, etc.).
5. Damage due to misuse, abuse, negligence or casualty (e.g. fire).
6. Other damage that is not attributable to defects in the manufacture of product materials.
7. Products purchased from unauthorized resellers.
8. Consumable parts (including but not limited to batteries).
9. Natural wear of the product.

Contact & Support

Feedback: If you have any concerns or problems when using our products, please send feedback via our app through the Profile > Help & Feedback page.

Setup and Troubleshooting: support.switch-bot.com

Support Email: support@switch-bot.com

