

Mounting Structure for two 200W solar panels

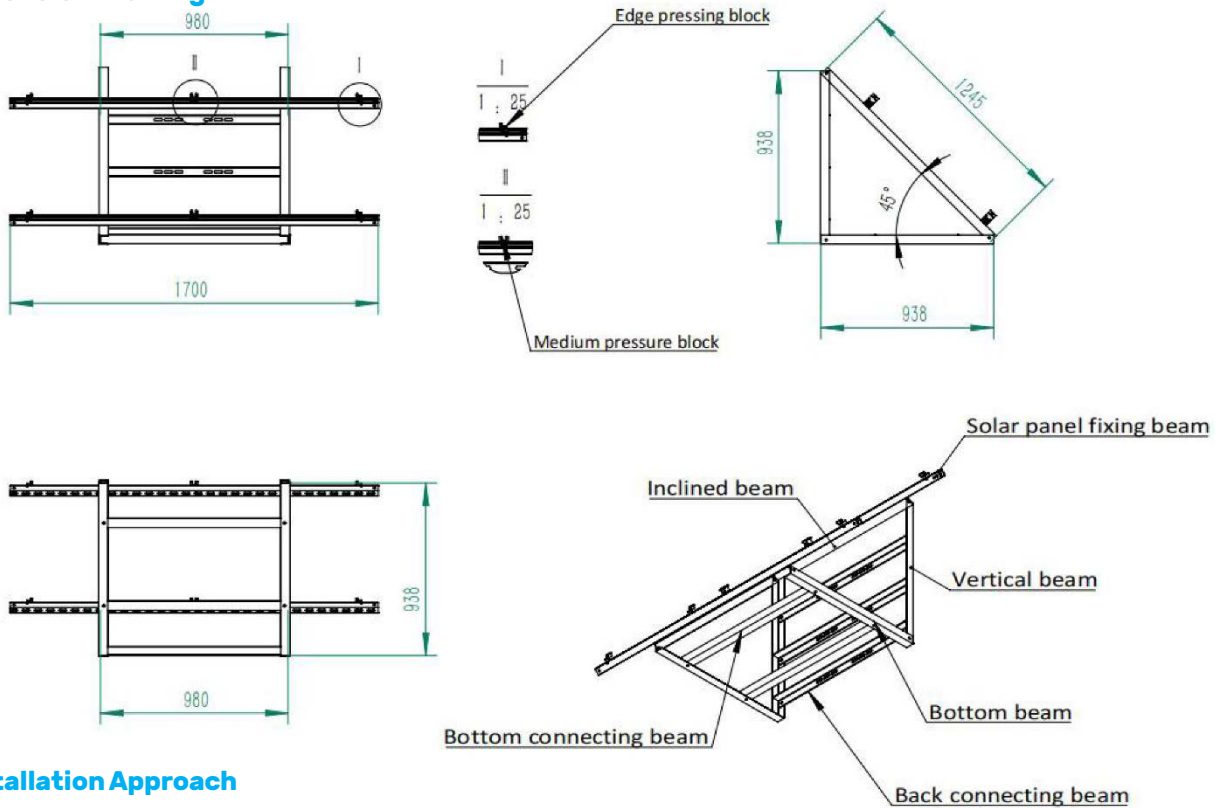
1. Scope

This product specification applies for Li-ion battery pack.

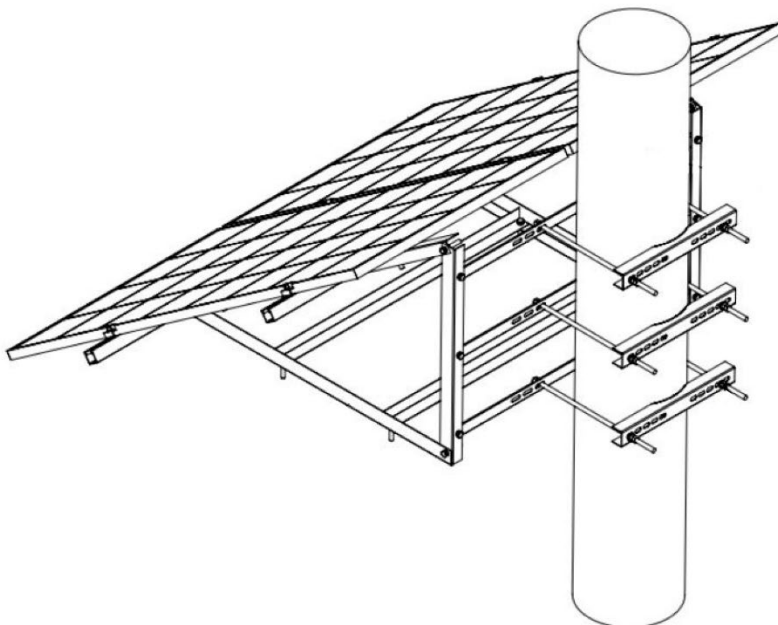
2. Overview

- This solar bracket can be installed with 2 * 200W solar panels, and the photovoltaic bracket can be fixed to the pole through pole clamps. The bracket material is 40 * 40 * 2.5mm angle iron, and the surface is hot-dip galvanized for corrosion protection. It has the advantages of being sturdy, durable, and strong in wind resistance





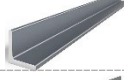






3. Dimension Drawing



4. Installation Approach



5. Product list

NO.	Item	Quantity	Unit	PIC
1	Solar panel fixing beam	2	pcs	
2	Vertical beam	2	pcs	
3	Inclined beam	2	pcs	
4	Bottom beam	2	pcs	
5	Back connecting beam	3	pcs	
6	Bottom connecting beam	2	pcs	
7	Pole clamp	3	pcs	
8	Bracket bolt group M10 * 200	6	set	
9	304 stainless steel bolt set (M10 * 35)	16	set	
10	304 stainless steel hexagon socket bolt assembly (M12*35)	4	set	
11	Edge pressing block	4	set	
12	Medium pressure block	2	set	