

150W Solar LED Street Light, ALL IN ONE, 3.2V, 36AH

The features of this solar street light is an ALL-IN-ONE design. The light engine and battery and solar panel are built right into the LED fixture. No need for a power source which eliminates the need for wiring and trenching.



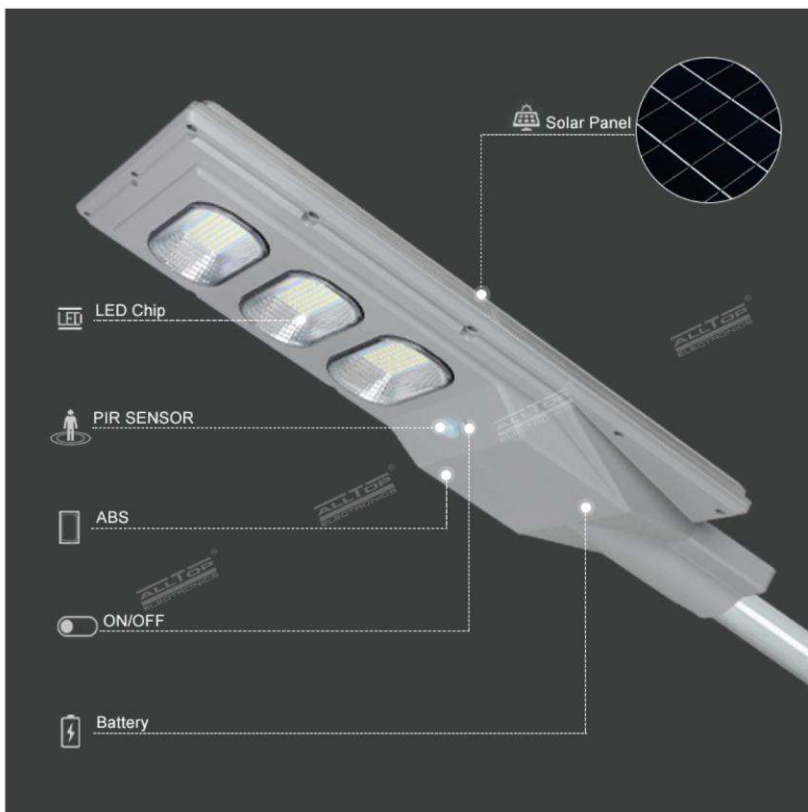
- Fully programmable via solar controller and photo control
- Built-in battery and solar controller
- Advanced new LiFePO4 battery lasts at least 2000 charge cycles and will last three nights with one day charge
- Perfect for street, parks, parking lots, school campuses, etc.
- Dimensions (L x W x H): 150W 838*250*65mm



Product Specification

LED Type: 300Pcs 5730LED
 Battery Type: LiFePO4 3.2V 36AH
 Solar Panel Type: Polycrystalline 6V 22W
 LED Lumen: 160LM/W
 Color Temperature: 3000K - 6500K
 LED Lifespan: 50000H
 Sensing Method: PIR Detection
 Operating Temperature: -20°C~60°C
 Storage Temperature: -30°C-70°C
 IP Rating: IP65
 Product Size: 838*250*65mm
 Lamp Body Outer Box Size: 860*305*275mm; 4Pcs/Box

Product Details



Fax: 03-5214524
 office@telran.co.il



Phone: 03-5575110
 www.telran.co.il

Technical support *2023

HUMAIN INDUCTION



☀ Highlight



Automatic charging during the day

🕒 Long life



Automatically lit at night

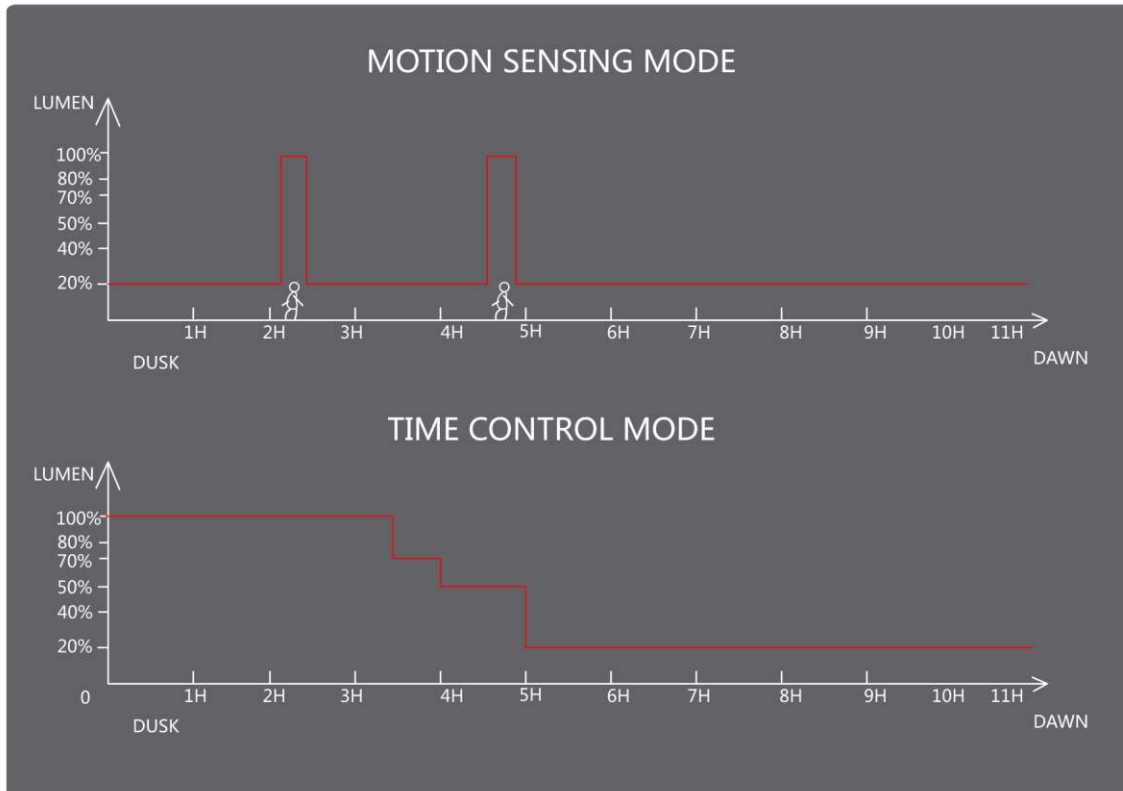
👤 Human induction



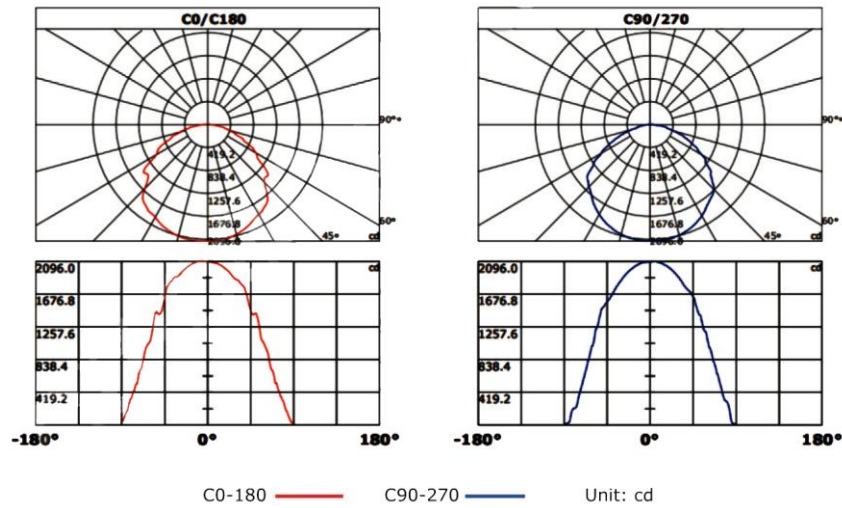
People come, full brightness
 People Leave, 30% brightness

NOW THE LIGHT WORKS

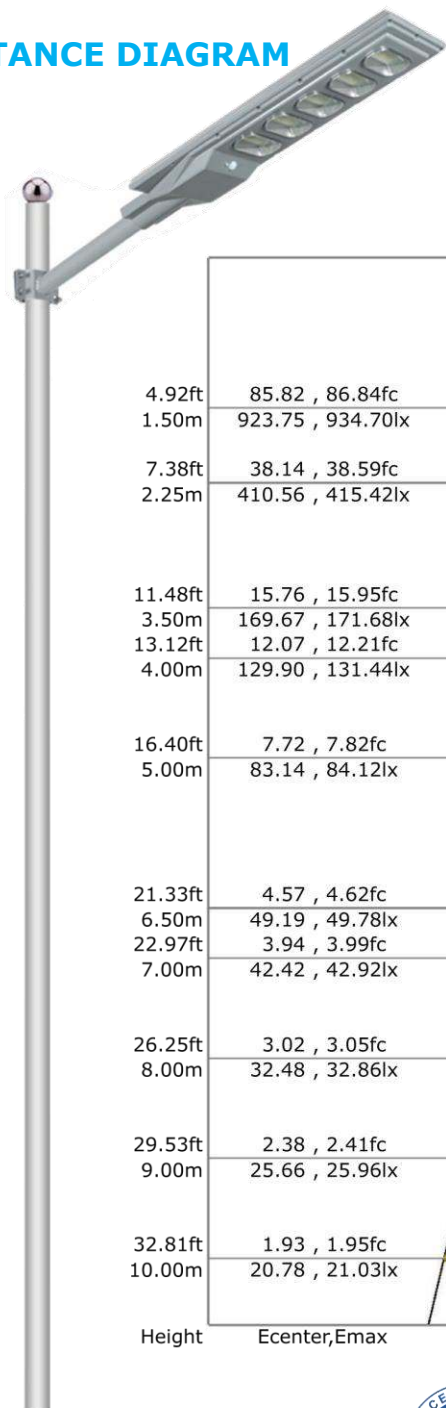
SELECT OPERATING MODE VIA REMOTE



PHOTOMETRICS

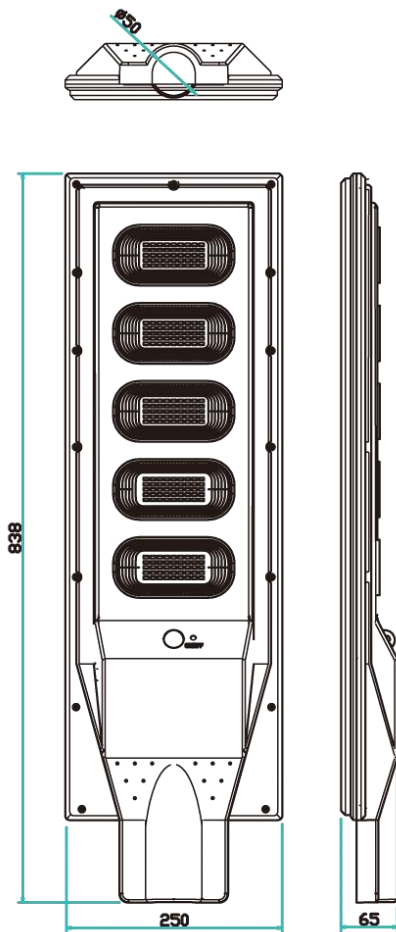


LX-DISTANCE DIAGRAM

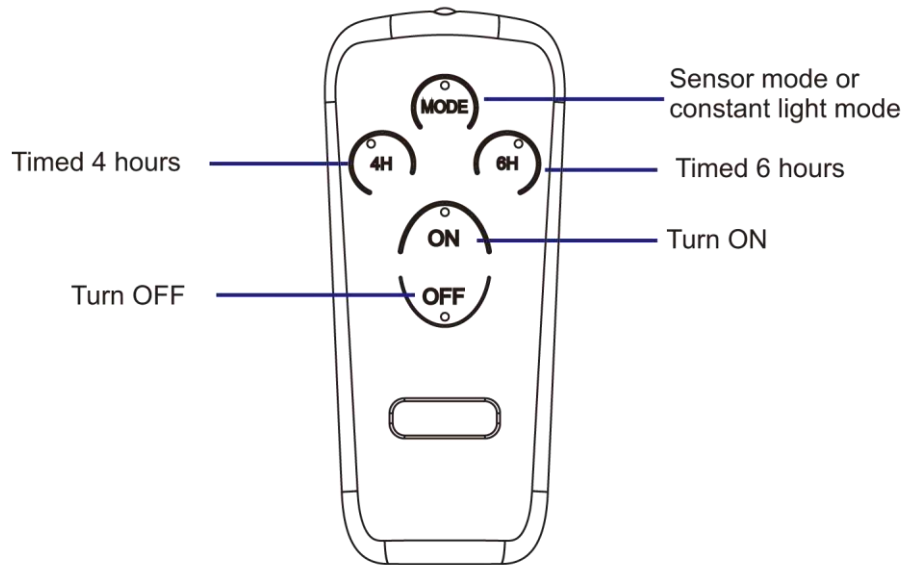


Height	Ecenter, Emax	Beam angle: 103.8 deg (C0_180)	Diameter
4.92ft 1.50m	85.82 , 86.84fc 923.75 , 934.70lx		12.54ft 3.82m
7.38ft 2.25m	38.14 , 38.59fc 410.56 , 415.42lx		18.81ft 5.73m
11.48ft 3.50m	15.76 , 15.95fc 169.67 , 171.68lx		29.27ft 8.92m
13.12ft 4.00m	12.07 , 12.21fc 129.90 , 131.44lx		33.45ft 10.19m
16.40ft 5.00m	7.72 , 7.82fc 83.14 , 84.12lx		41.81ft 12.74m
21.33ft 6.50m	4.57 , 4.62fc 49.19 , 49.78lx		54.35ft 16.57m
22.97ft 7.00m	3.94 , 3.99fc 42.42 , 42.92lx		58.53ft 17.84m
26.25ft 8.00m	3.02 , 3.05fc 32.48 , 32.86lx		66.89ft 20.39m
29.53ft 9.00m	2.38 , 2.41fc 25.66 , 25.96lx		75.25ft 22.94m
32.81ft 10.00m	1.93 , 1.95fc 20.78 , 21.03lx		83.62ft 25.49m

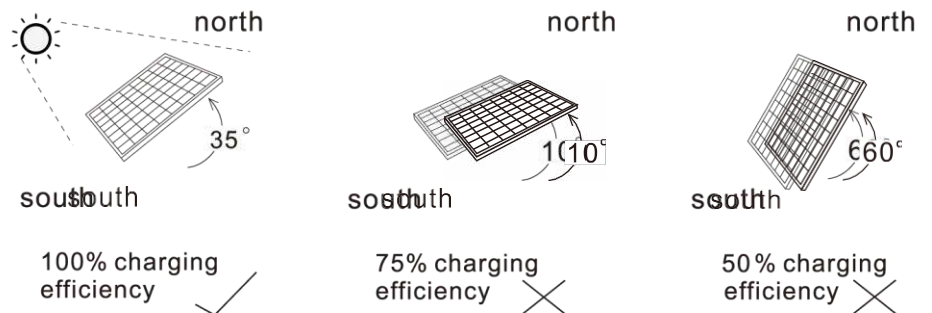
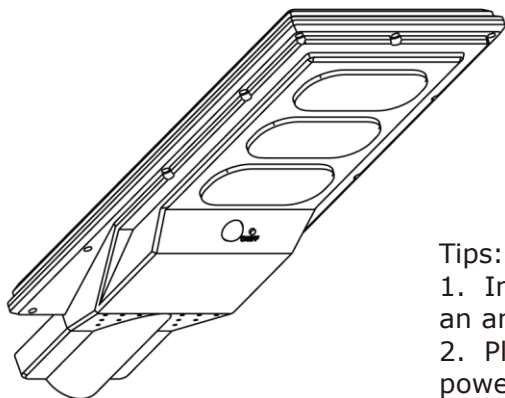
Installation dimension



Instructions for use of remote control (optional)

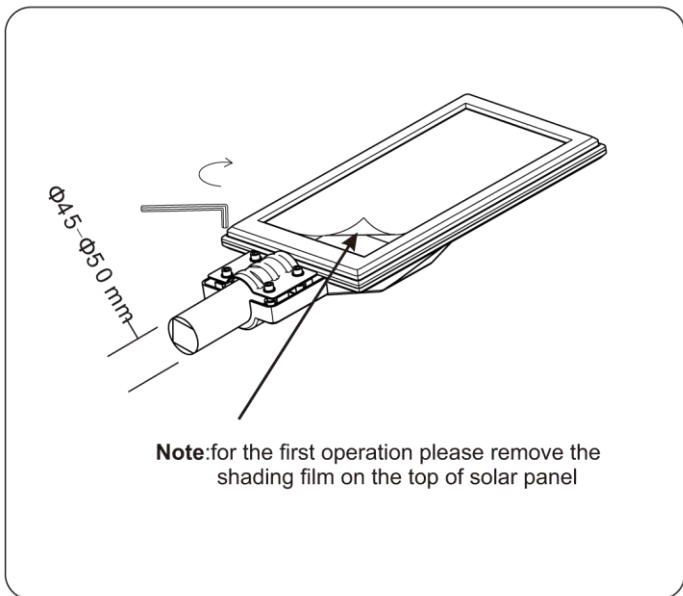
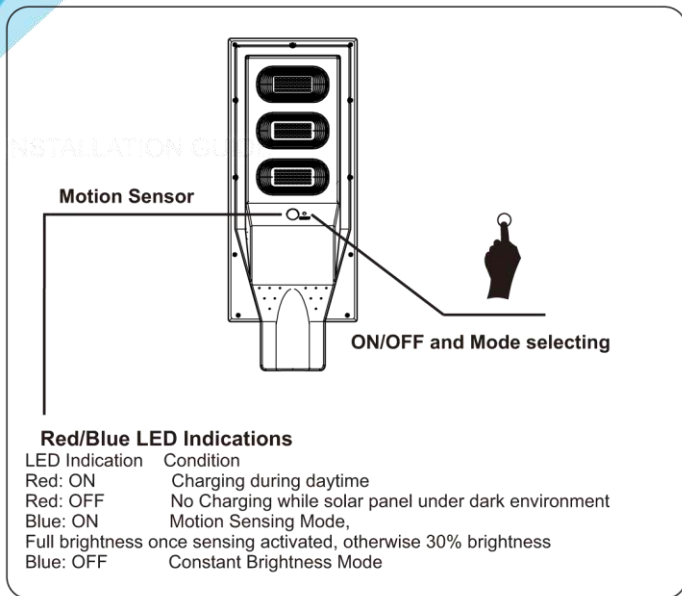


Installation Guide



Tips:

1. Installation direction of the solar panel is 5-10 degrees south to west, an angle of 35 degrees with the horizontal place
2. Please install the solar panel in the sun direction to avoid affecting the power generation efficiency.
3. Please ensure the installation is stable.



Operational Approach

1. Press the switch once. The lamp flashes once and works at motion sensor mode;
2. Press again. The lamp flashes twice and works at constant brightness mode;
3. Long pressing the switch to turn off the lamp.

Battery Specification

DesignLife	6-8 years	6-8 years	6-8 years	6-8 years	6-8 years
Nominal Voltage	3.2V	3.2V	3.2V	3.2V	3.2V
Nominal Capacity	12Ah	18Ah	24Ah	30Ah	36Ah
Self-Discharge					
3% of capacity declined per month at 20°C(average)					
Operation Temperature Range					
Discharge	-20~60°C	-20~60°C	-20~60°C	-20~60°C	-20~60°C
Charge	-10~60°C	-10~60°C	-10~60°C	-10~60°C	-10~60°C
Storage	-20~60°C	-20~60°C	-20~60°C	-20~60°C	-20~60°C
Max.Discharge Current 77°F(25°C)	1200A(5s)	1200A(5s)	1200A(5s)	1200A(5s)	1200A(5s)
Short Circuit Current	3000A	3000A	3000A	3000A	3000A



Battery Guarantee of QUALITY



No.1 Battery Cells

High-end battery cells keep every cell's voltage, resistance, capacity, discharging always in sync



No.2 Battery Protector

High precision IC keep performance more stable protect over load, over charge, over discharge, short circuit, over voltage, over current keep battery pack always safe and long life span



No.3 Precision Welding Machine

Fully automatic precision welding machine can ensure that every battery can be welded firmly to prevent the danger of short circuit or power failure



No.4 Aging Test Machine

every battery pack need to thorough charging and discharging test by the aging test machine to keep 100% qualified

PROJECT SUCCESS CASE



Fax: 03-5214524
 office@telran.co.il



Phone: 03-5575110
 www.telran.co.il

Technical support *2023